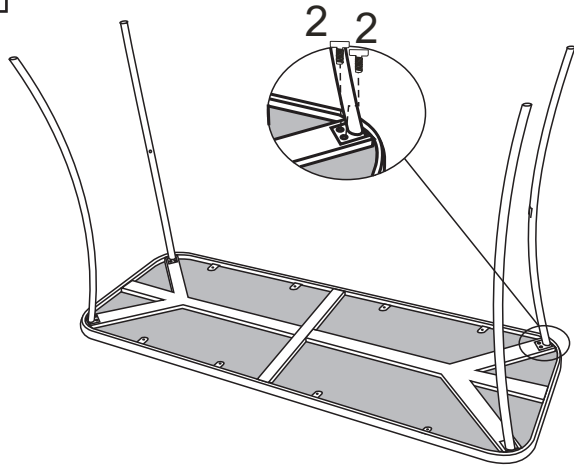
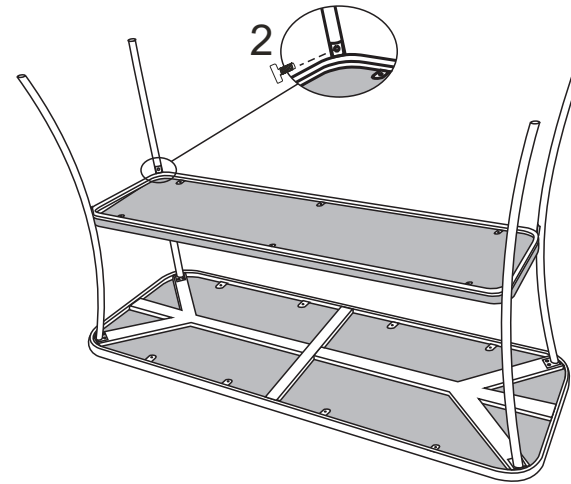


# YLX-2780-ST CONSOLE TABLE

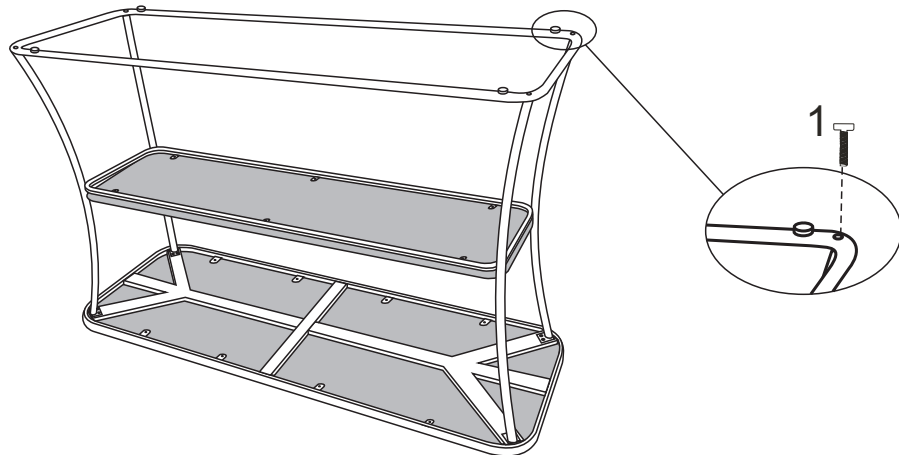
STEP1



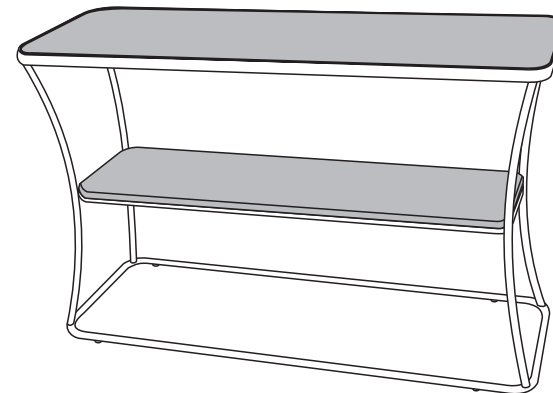
STEP2






STEP3

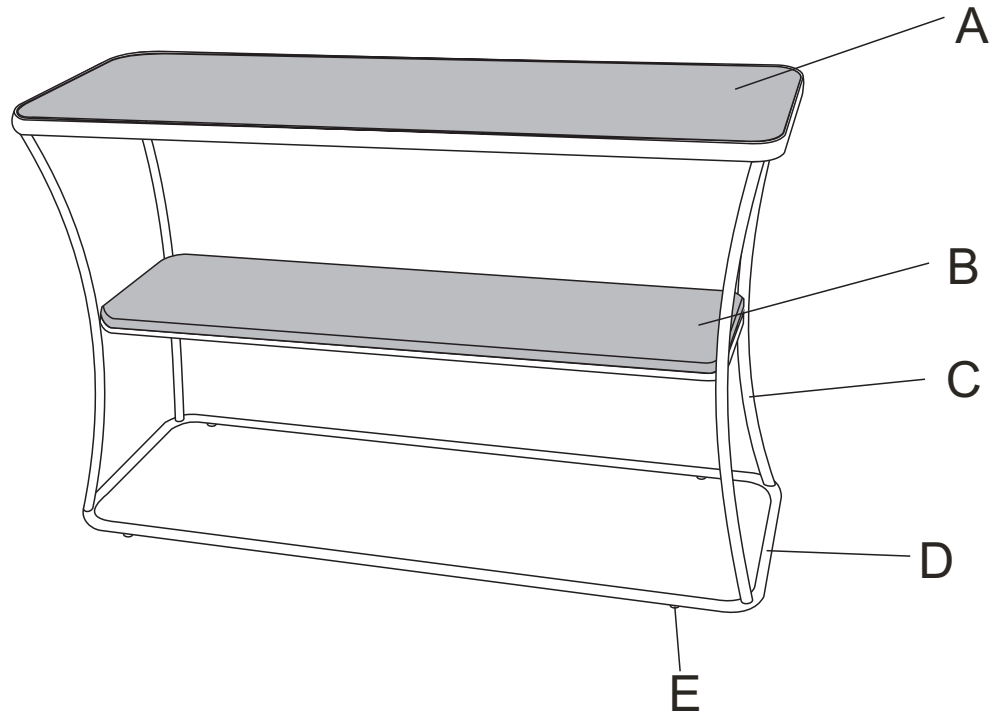


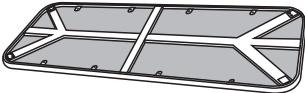
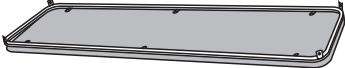



STEP4



**Note:**  
Pls do not tighten all bolts until the products is assembled completely.

1		4X	1/4"*25mm
2		12X	1/4"*12mm
3		1X	S4



Y LX-2780-ST	A		1X
	B		1X
	C		4X
	D		1X
	E		4X