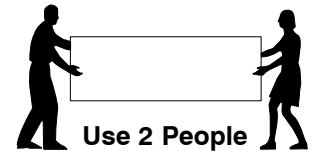
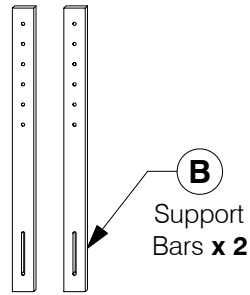
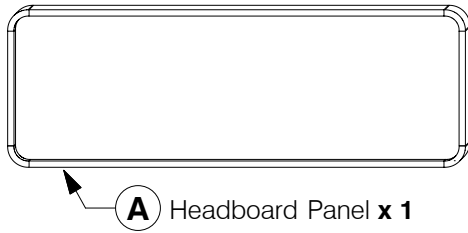


Full Headboard

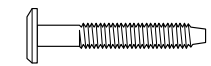
Assembly Instructions

0818

1 Parts List



2 Hardware List



1 M6 x 35mm JCB
x 4



2 Spring Washer
x 4



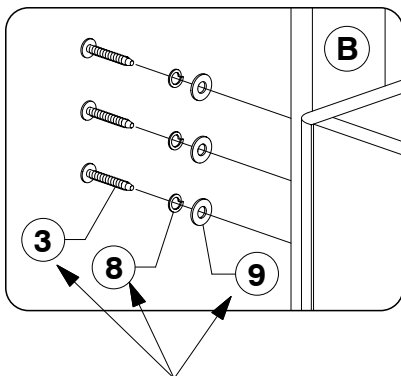
3 Flat Washer
x 4



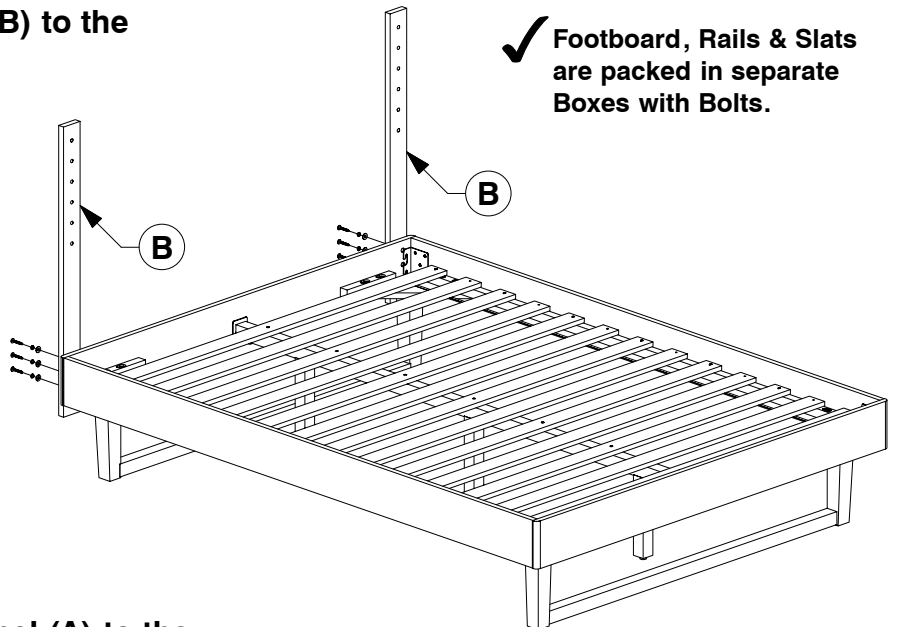
4 Allen Key
x 1

Note: Do not assemble using power tools. This can cause the bolts to be overtightened

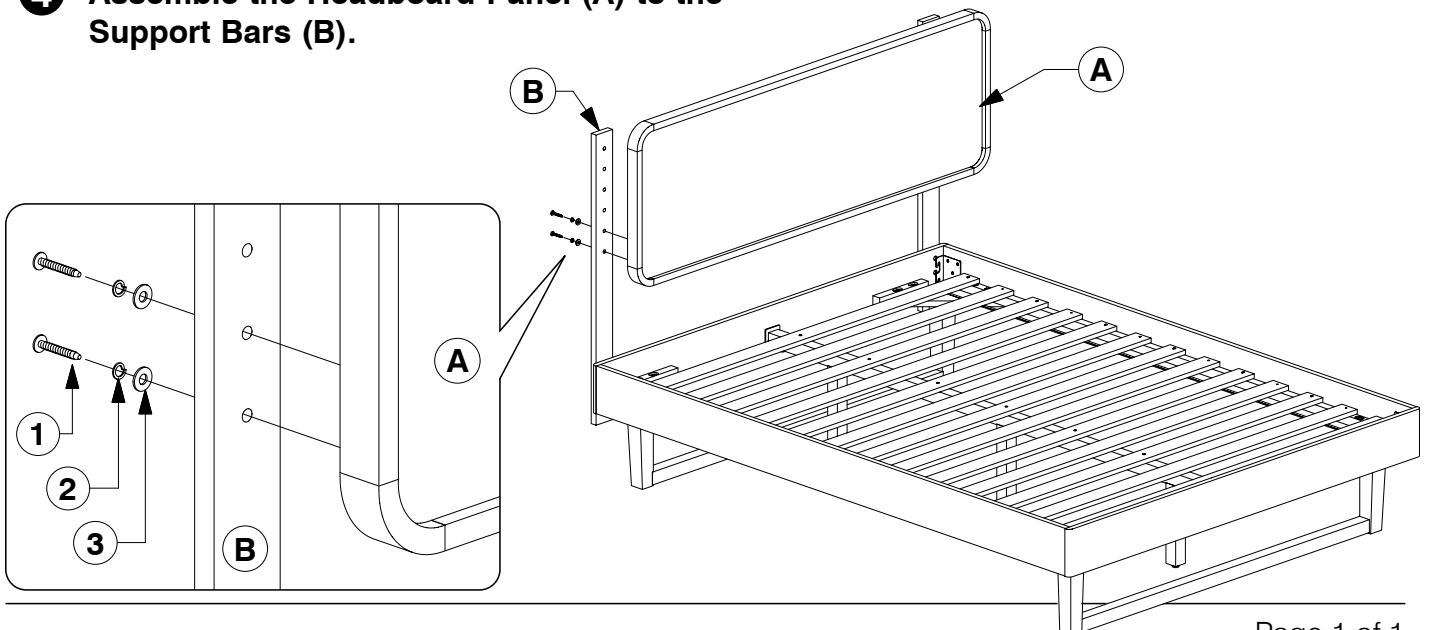
3 Assemble the Support Bars (B) to the Headboard Panel.



Note: Bolts & Washers from Footboard, Rails & Slats Box.



4 Assemble the Headboard Panel (A) to the Support Bars (B).

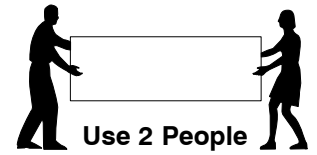
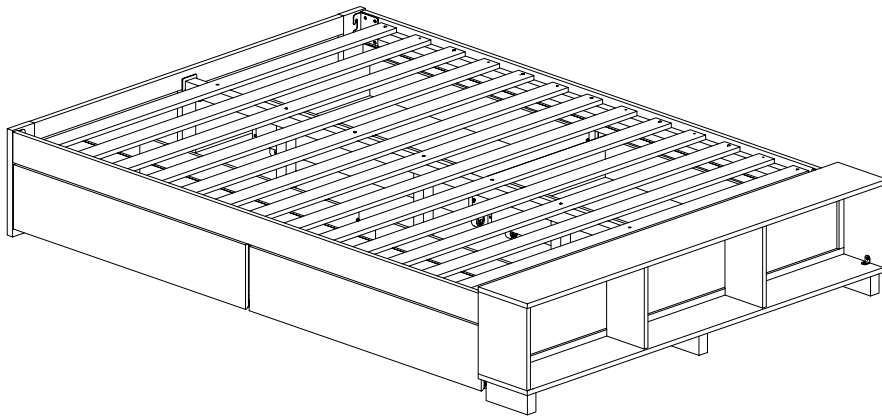


6001-1S 4D Full Bed

Assembly Instructions

WII-0919

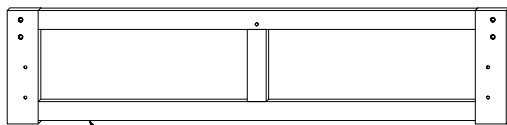
1 Assembled View



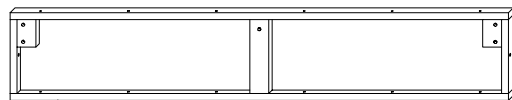
Note: Do not assemble using power tools. This can cause the bolts to be overtightened

2 Parts List

Parts in Box A:



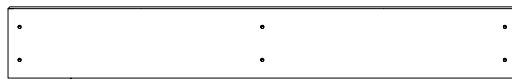
A Headboard Panel x 1



C Footboard Frame x 1



B Footboard Top Panel x 1



D Footboard Bottom Panel x 1



E Footboard Side Panel x 2



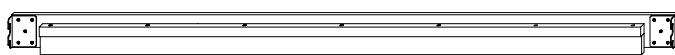
F Footboard Divider x 2



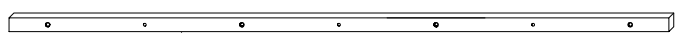
G Footboard Foot x 3



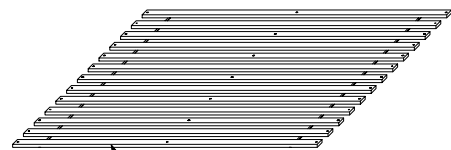
H Support Leg x 3



J Side Rail x 2



K Long Support x 1



L Set of Bed Slats x 1

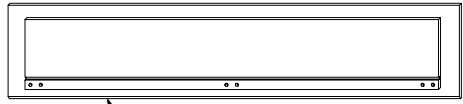
6001-1S 4D Full Bed

Assembly Instructions

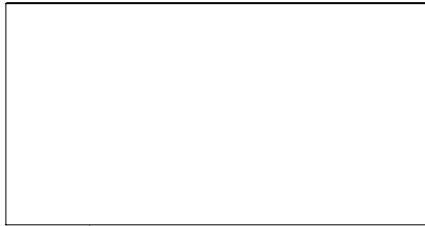
WII-0919

2 Parts List

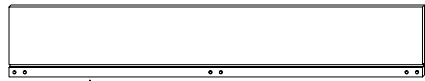
Parts in Box B:



M Drawer Face x 4



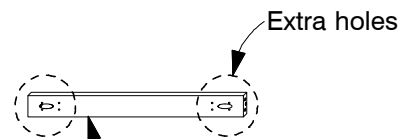
N Drawer Bottom x 4



O Drawer Back x 4



P Drawer Side x 8

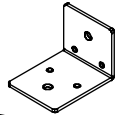


Q Drawer Rail x 12

3 Hardware List



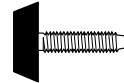
1 M4 Allen Key x 1



2 Center Rail Bracket x 2



3 'L' Bracket x 4



4 Adjustable Foot x 3



5 Barrel Nut x 3



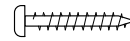
6 Wheel x 16



7 Wood Dowel (M8 x 30mm) x 56



8 Wood Screw (M4 x 16mm) x 64



9 Wood Screw (M4 x 32mm) x 80



10 Spring Washer x 12



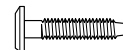
11 Flat Washer x 12



12 M6 x 15mm JCB x 12



13 M6 x 20mm JCB x 8



14 M6 x 30mm JCB x 2



15 M6 x 40mm JCB x 22



16 M6 x 60mm JCB x 6



17 M6 x 100mm JCB x 3

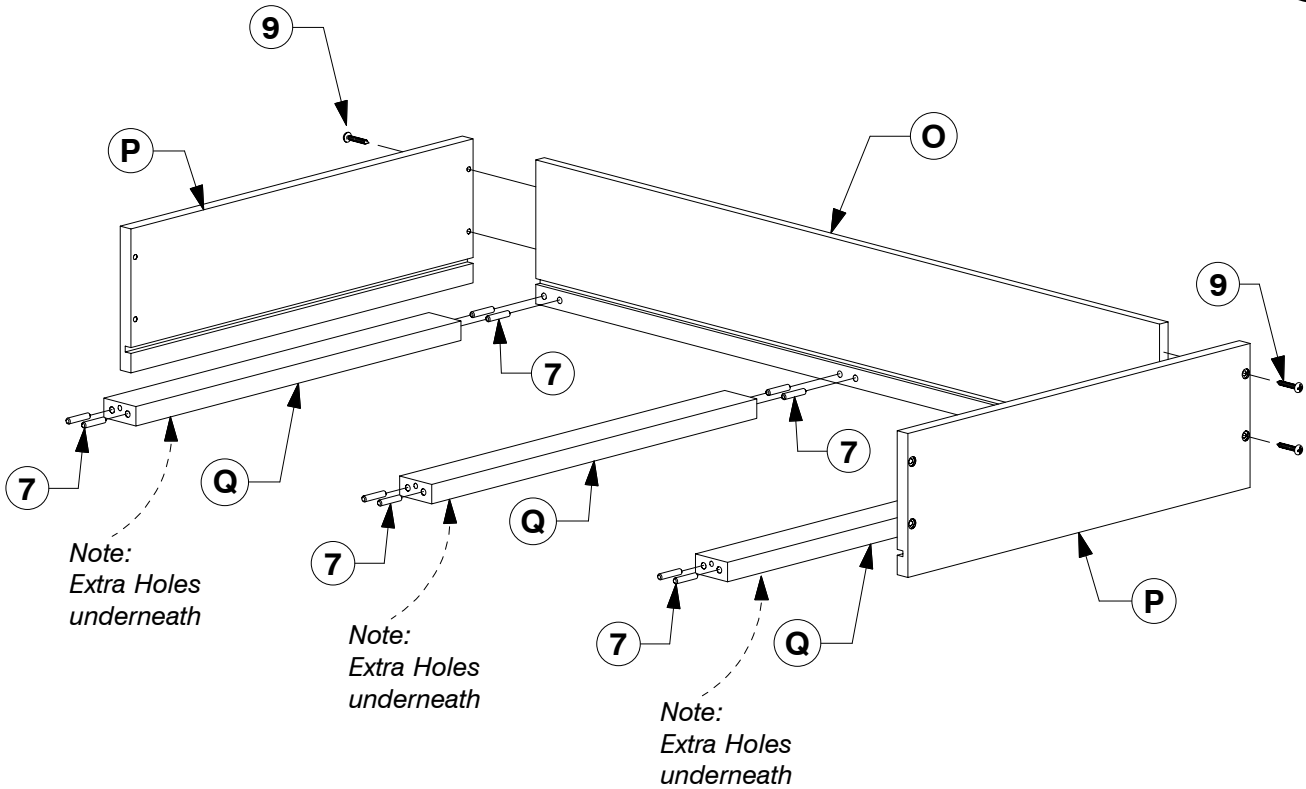
6001-1S 4D Full Bed

Assembly Instructions

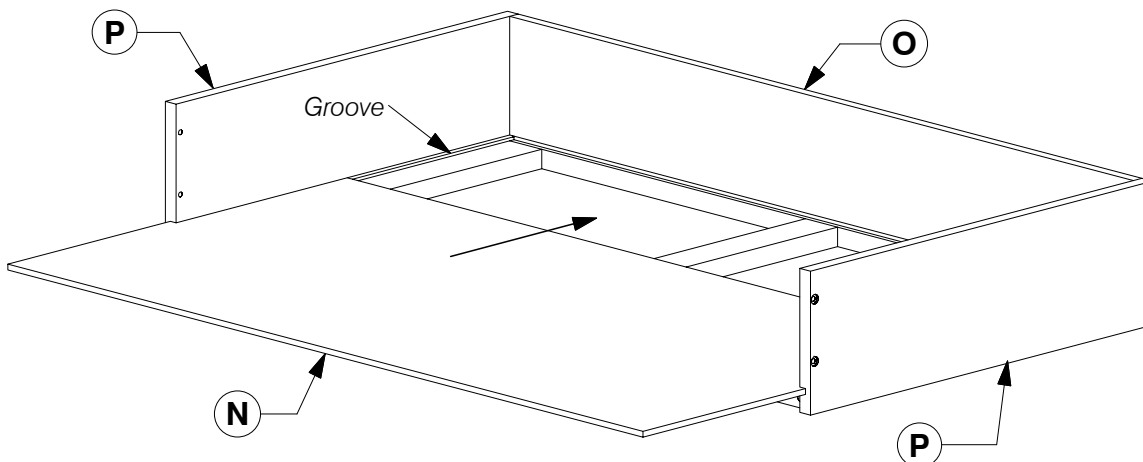
W11-0919

- 4** Assemble the Drawer Side (P) and Drawer Rail (Q) to the Drawer Back (O).

x4



- 5** Slide the Drawer Bottom (N) into the groove on the Drawer Sides (P).

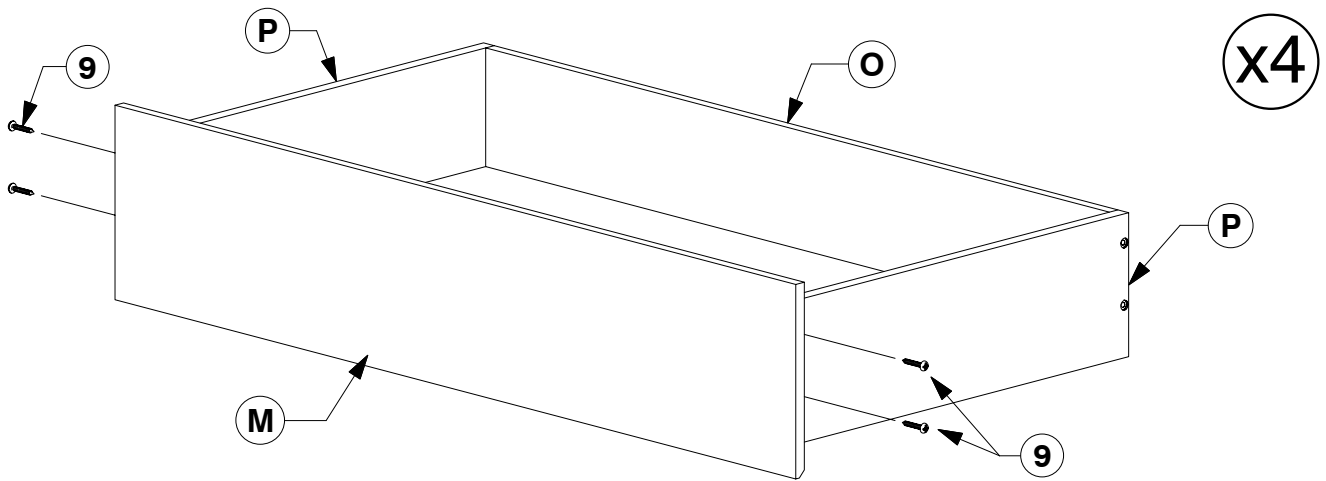


6001-1S 4D Full Bed

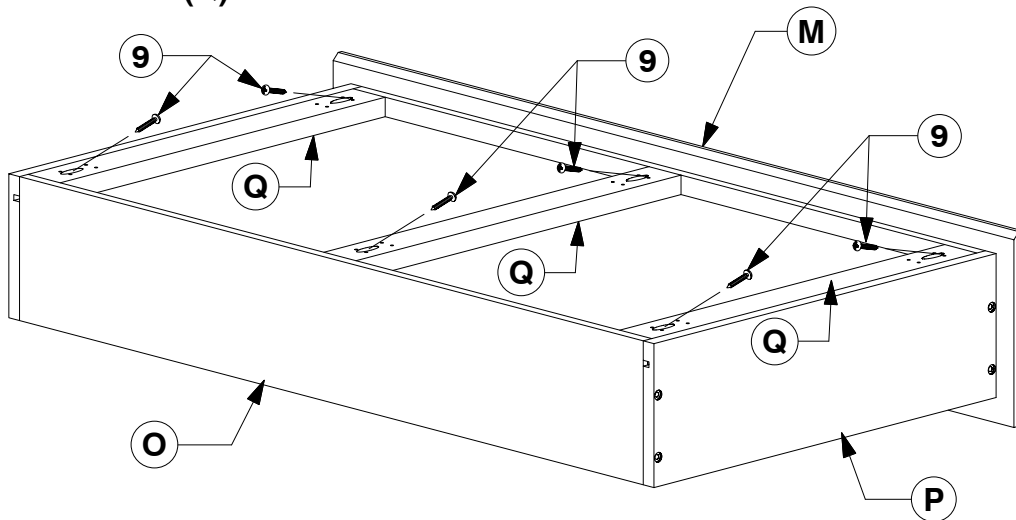
Assembly Instructions

W11-0919

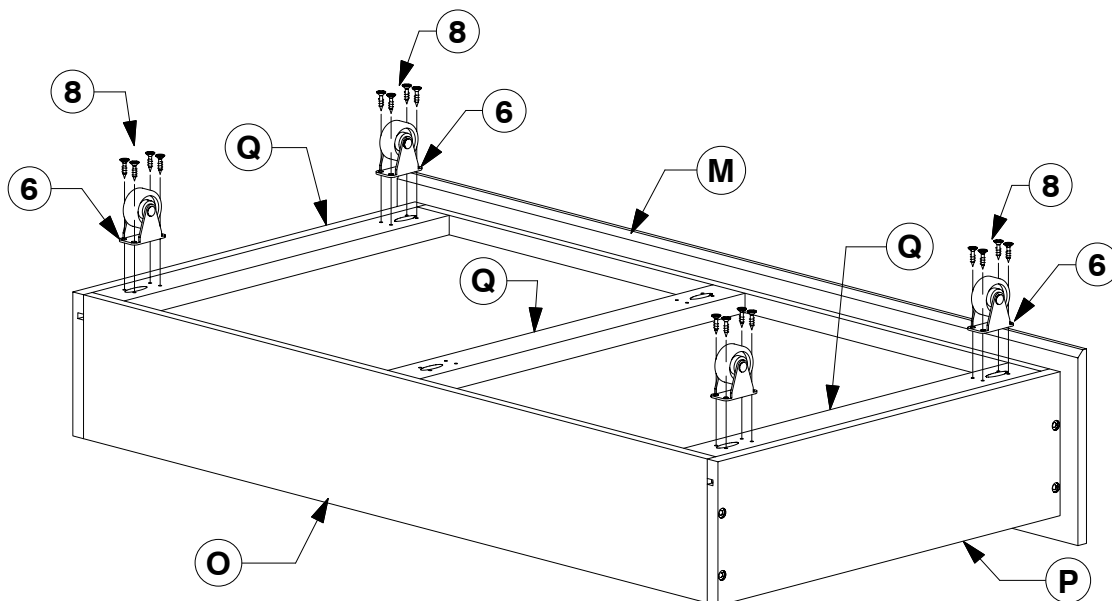
- 6** Assemble the Drawer Face (M) to the Drawer Sides (P).



- 7** Turn the Drawer over to fit angled 32mm Wood Screws (9) to the Drawer Rails (Q).



- 8** Fit the Wheels (6) to the Drawer Side Rail (Q).

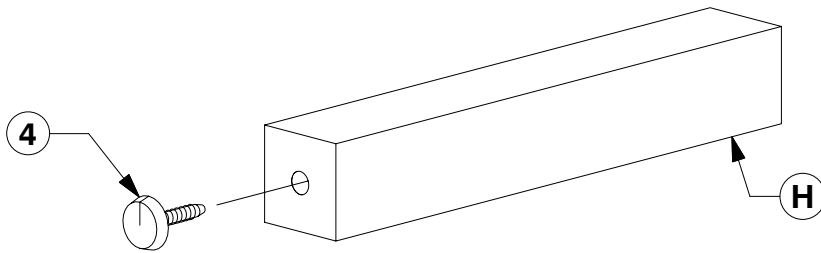


6001-1S 4D Full Bed

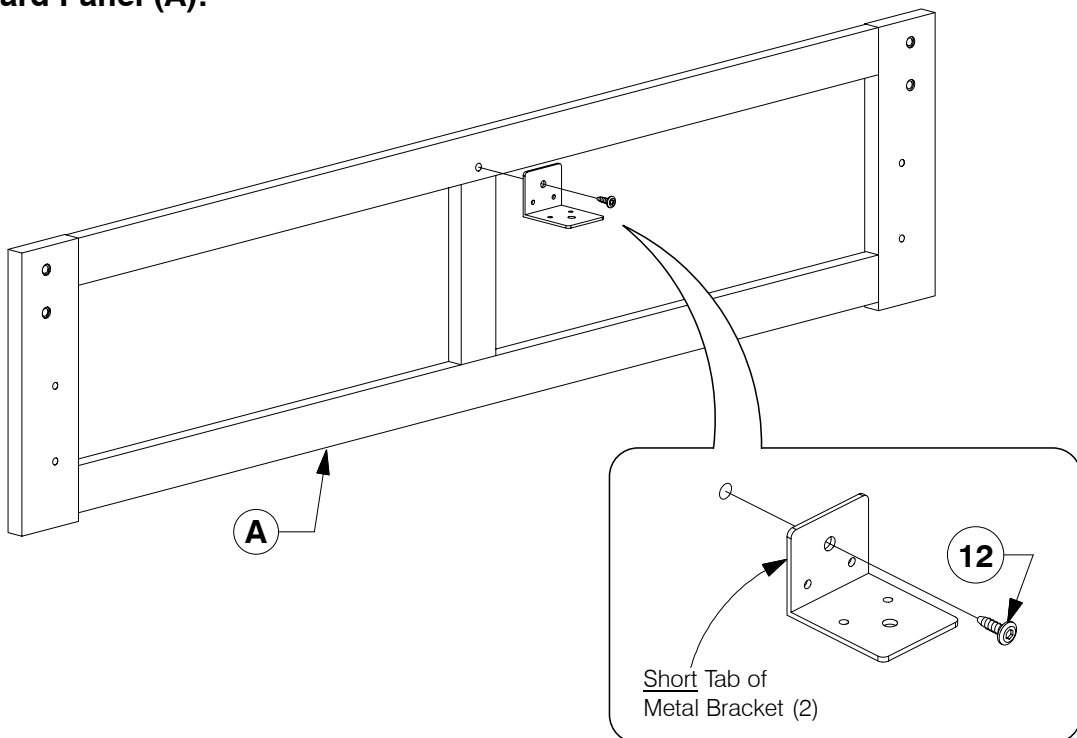
Assembly Instructions

W11-0919

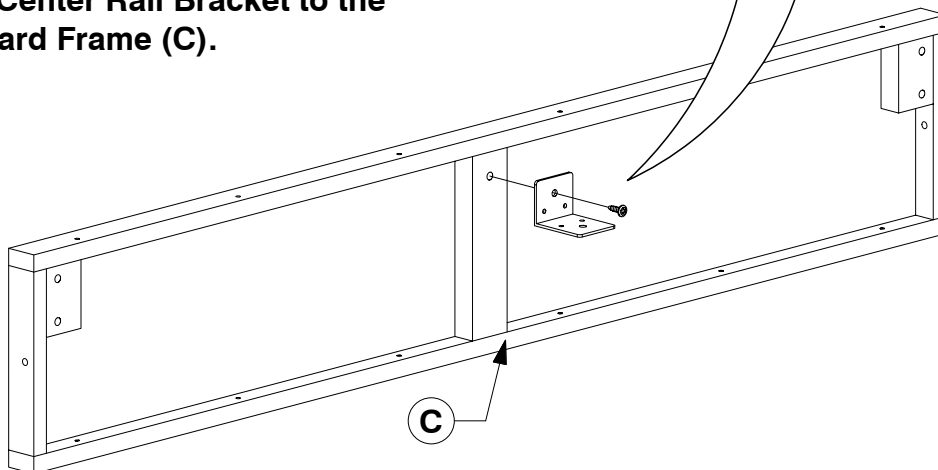
- 9** Fix the Adjustable foot to the bottom of the Support Leg (H).



- 10** Fit the Center Rail Bracket to the Headboard Panel (A).



- 11** Fit the Center Rail Bracket to the Footboard Frame (C).

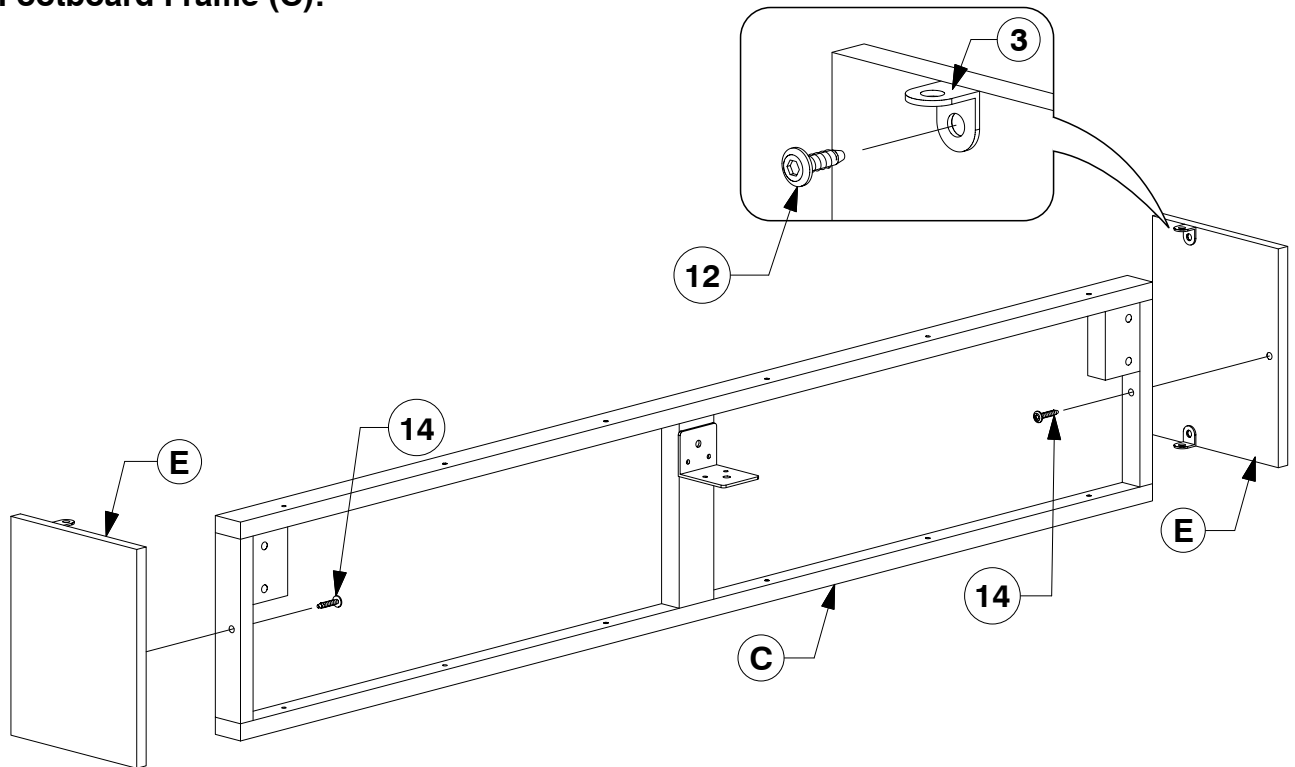


6001-1S 4D Full Bed

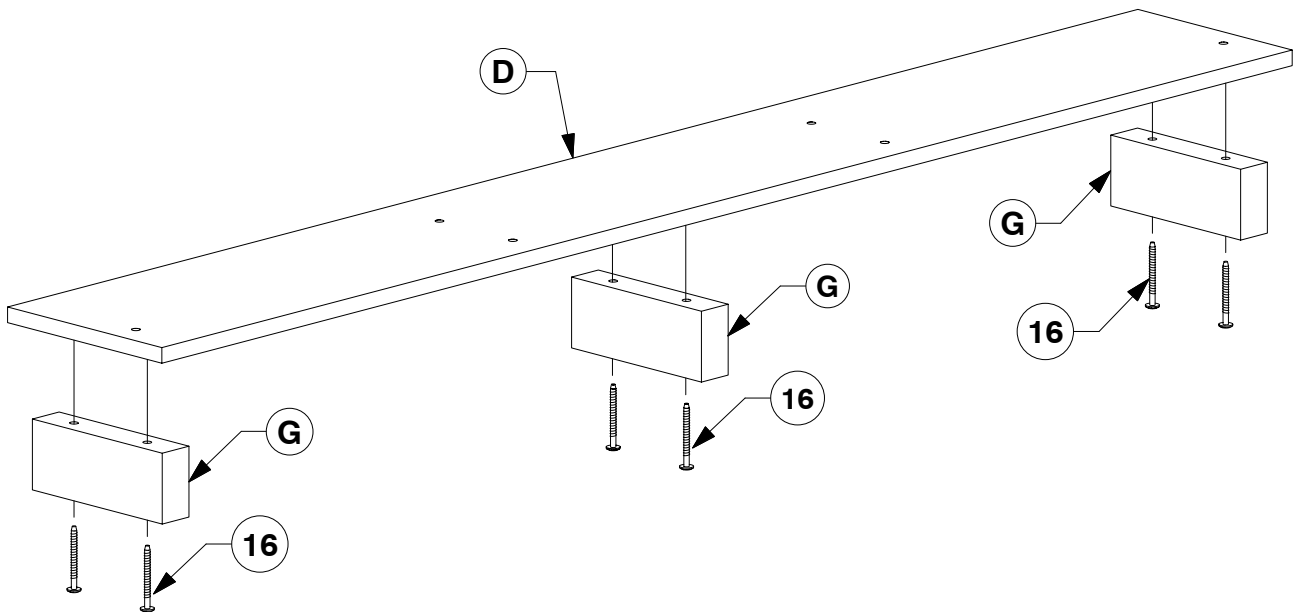
Assembly Instructions

W11-0919

- 12** Fit 'L' Bracket to the Footboard Side Panel (E).
Assemble the Footboard Side Panel (E) to the
Footboard Frame (C).



- 13** Fit the Footboard Foot (G) to the Footboard Bottom Panel (D).

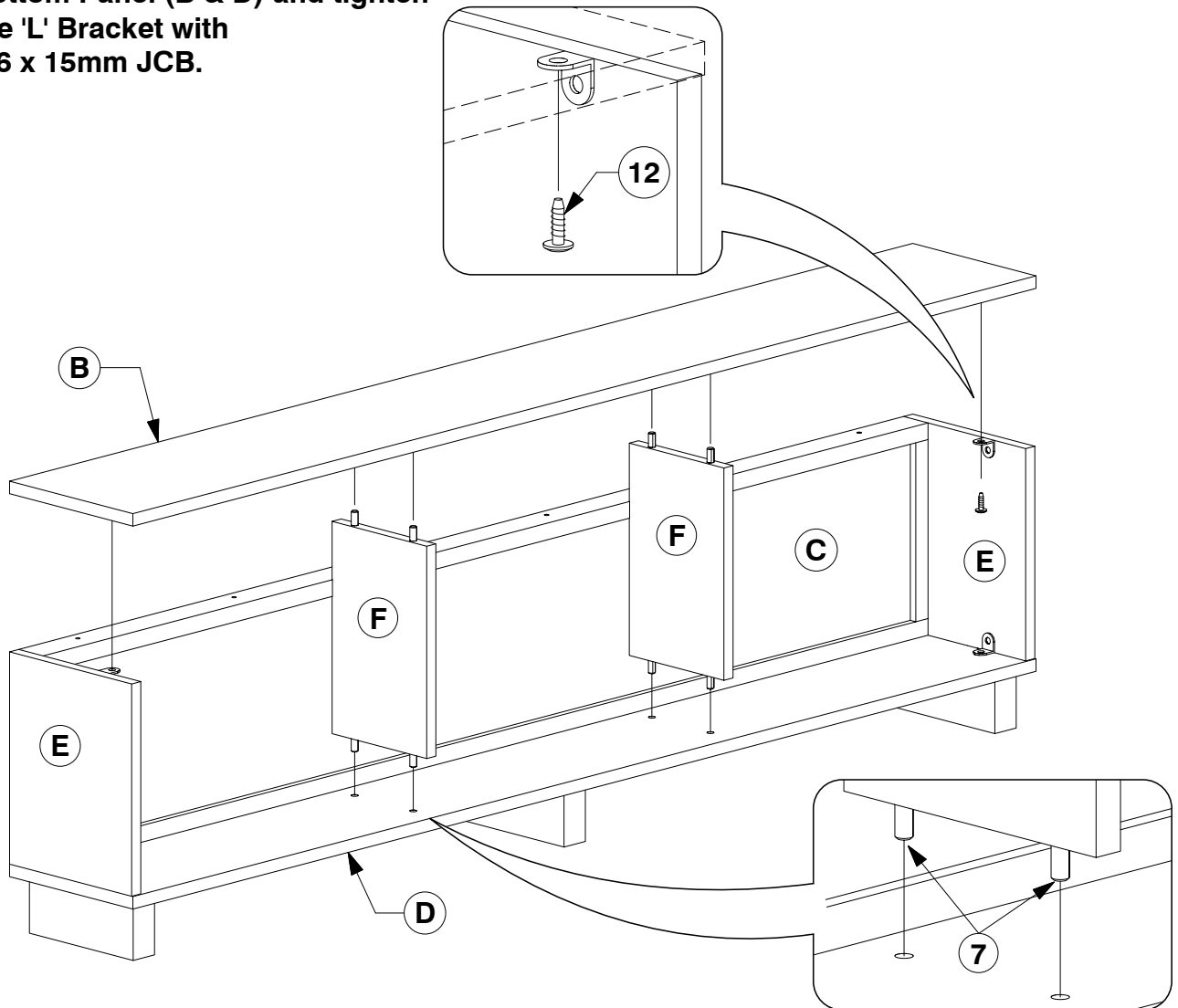


6001-1S 4D Full Bed

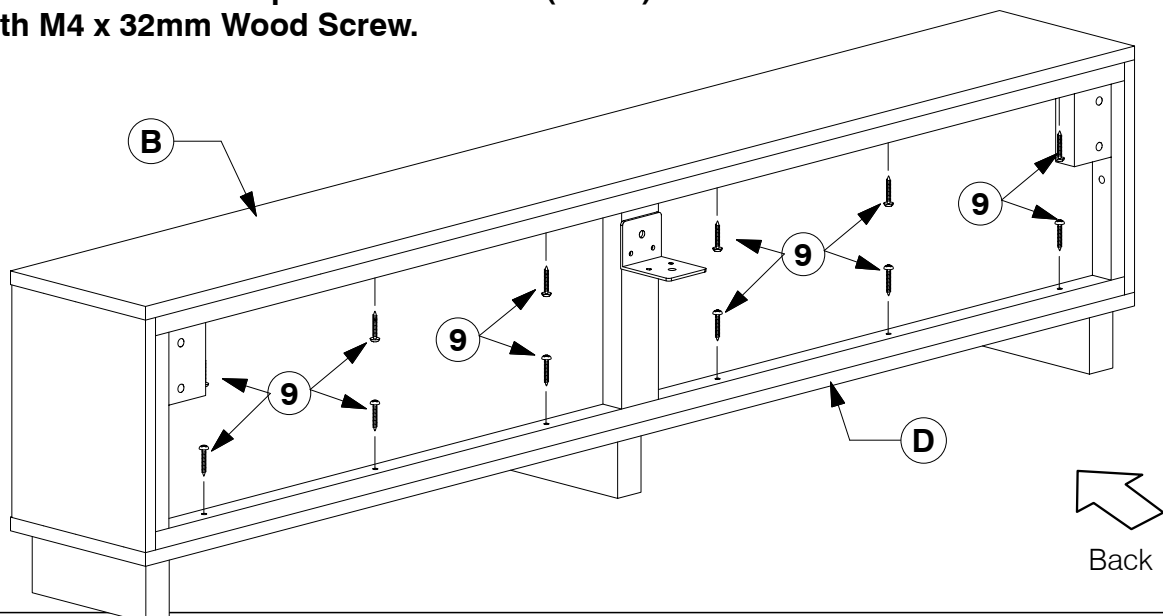
Assembly Instructions

WII-0919

- 14** Fit the Footboard Divider (F) to the Footboard Top & Bottom Panel (B & D) and tighten the 'L' Bracket with M6 x 15mm JCB.



- 15** Fit the Footboard Top & Bottom Panel (B & D) with M4 x 32mm Wood Screw.

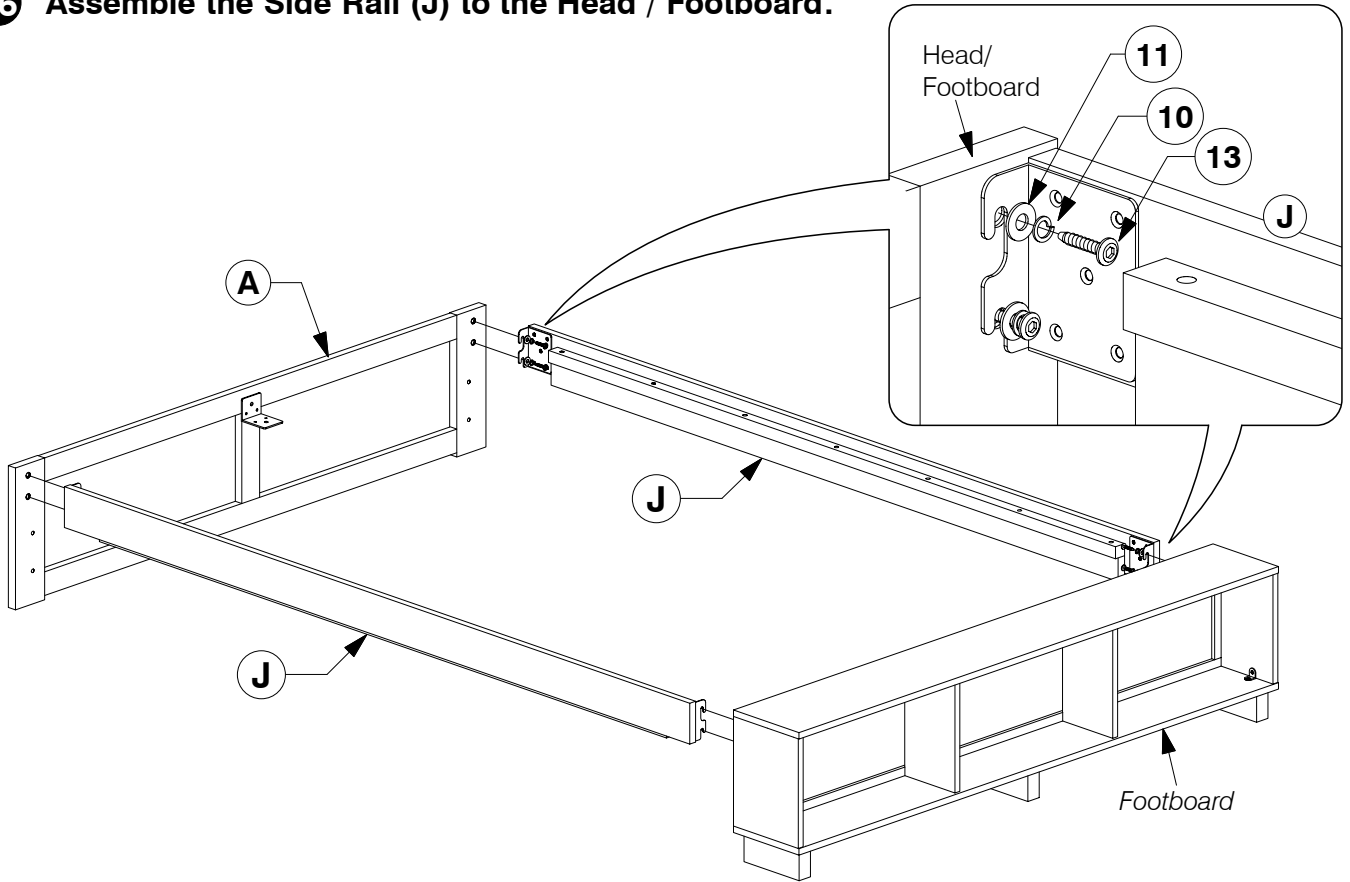


6001-1S 4D Full Bed

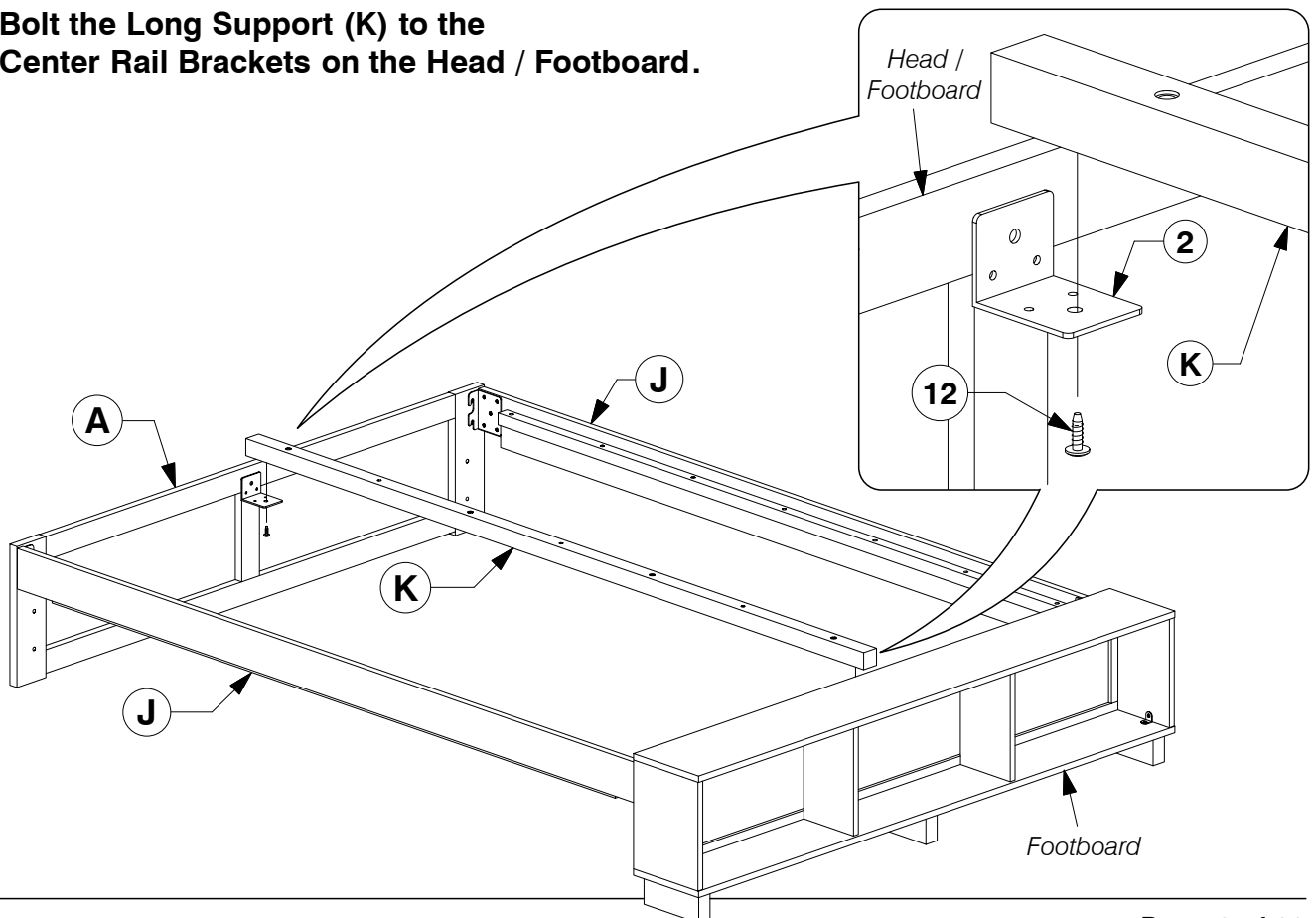
Assembly Instructions

W11-0919

16 Assemble the Side Rail (J) to the Head / Footboard.



17 Bolt the Long Support (K) to the Center Rail Brackets on the Head / Footboard.

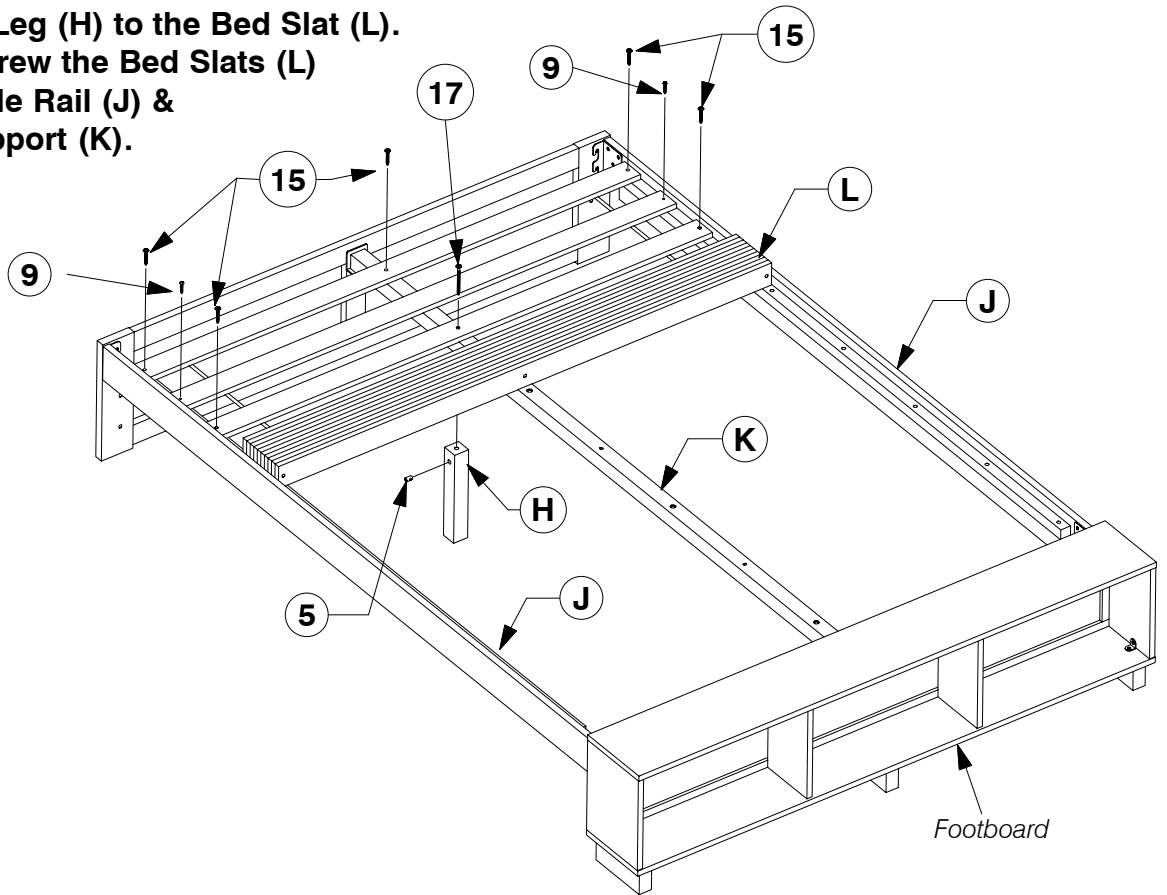


6001-1S 4D Full Bed

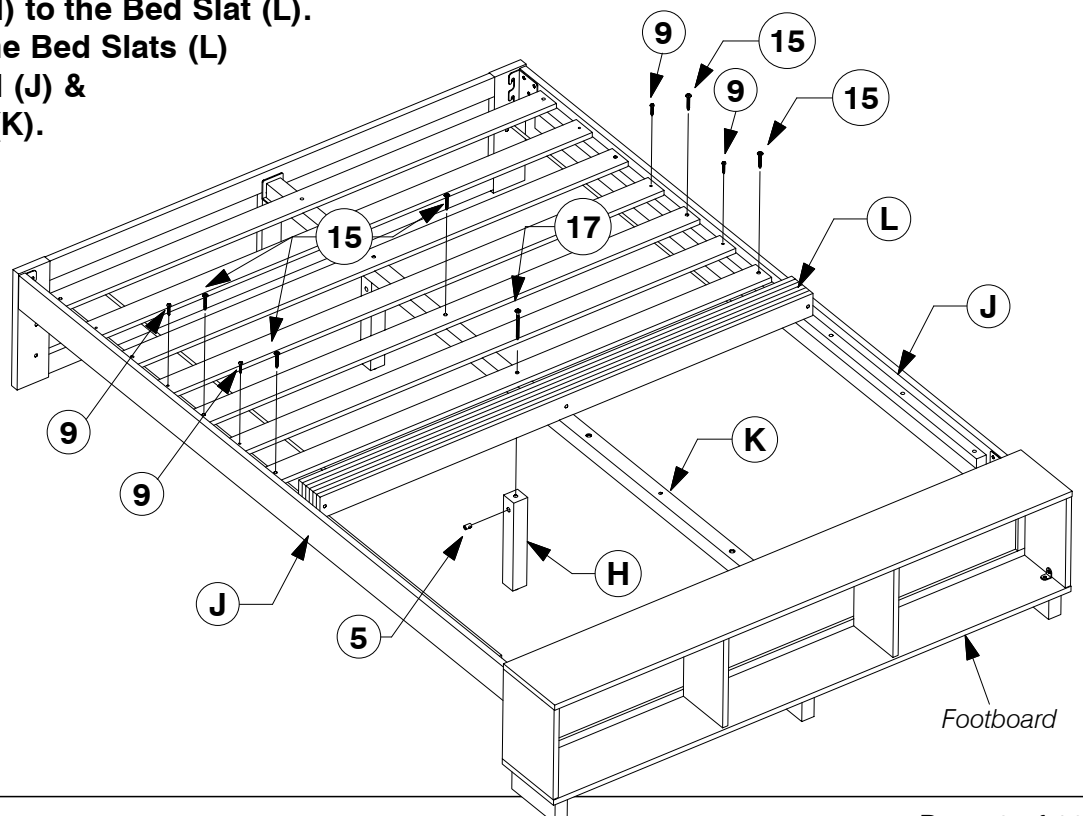
Assembly Instructions

W11-0919

- 18** Fit the first 3 Slats and assemble the Support Leg (H) to the Bed Slat (L). Bolt & screw the Bed Slats (L) to the Side Rail (J) & Long Support (K).



- 19** Fit the other Slats out and assemble the Support Leg (H) to the Bed Slat (L). Bolt & screw the Bed Slats (L) to the Side Rail (J) & Long Support (K).

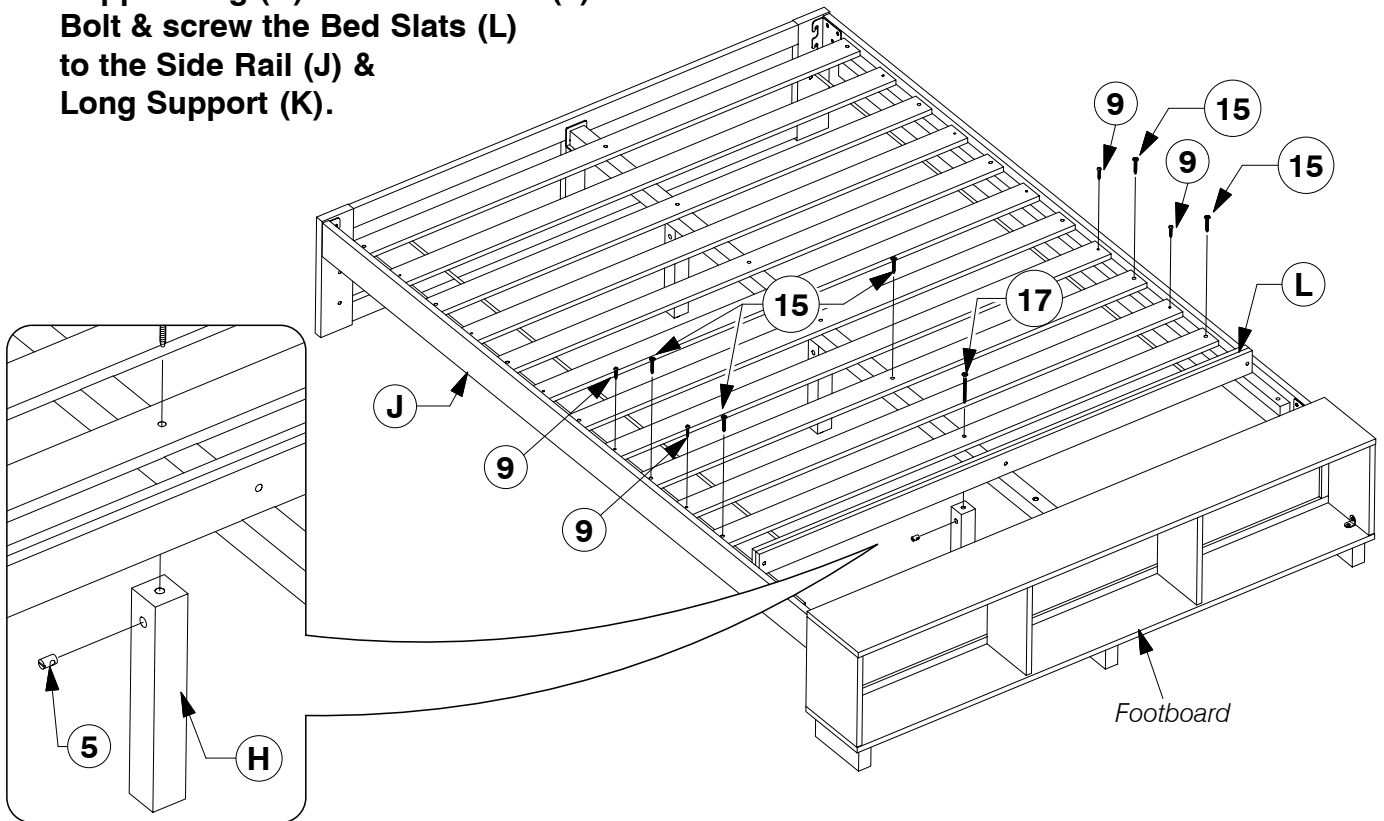


6001-1S 4D Full Bed

Assembly Instructions

W11-0919

- 20** Fit the other Slats out and assemble the Support Leg (H) to the Bed Slat (L). Bolt & screw the Bed Slats (L) to the Side Rail (J) & Long Support (K).



- 21** Bolt & screw the remaining Bed Slats (L) to the Side Rail (J).

Finally fit the assembled Drawers.

