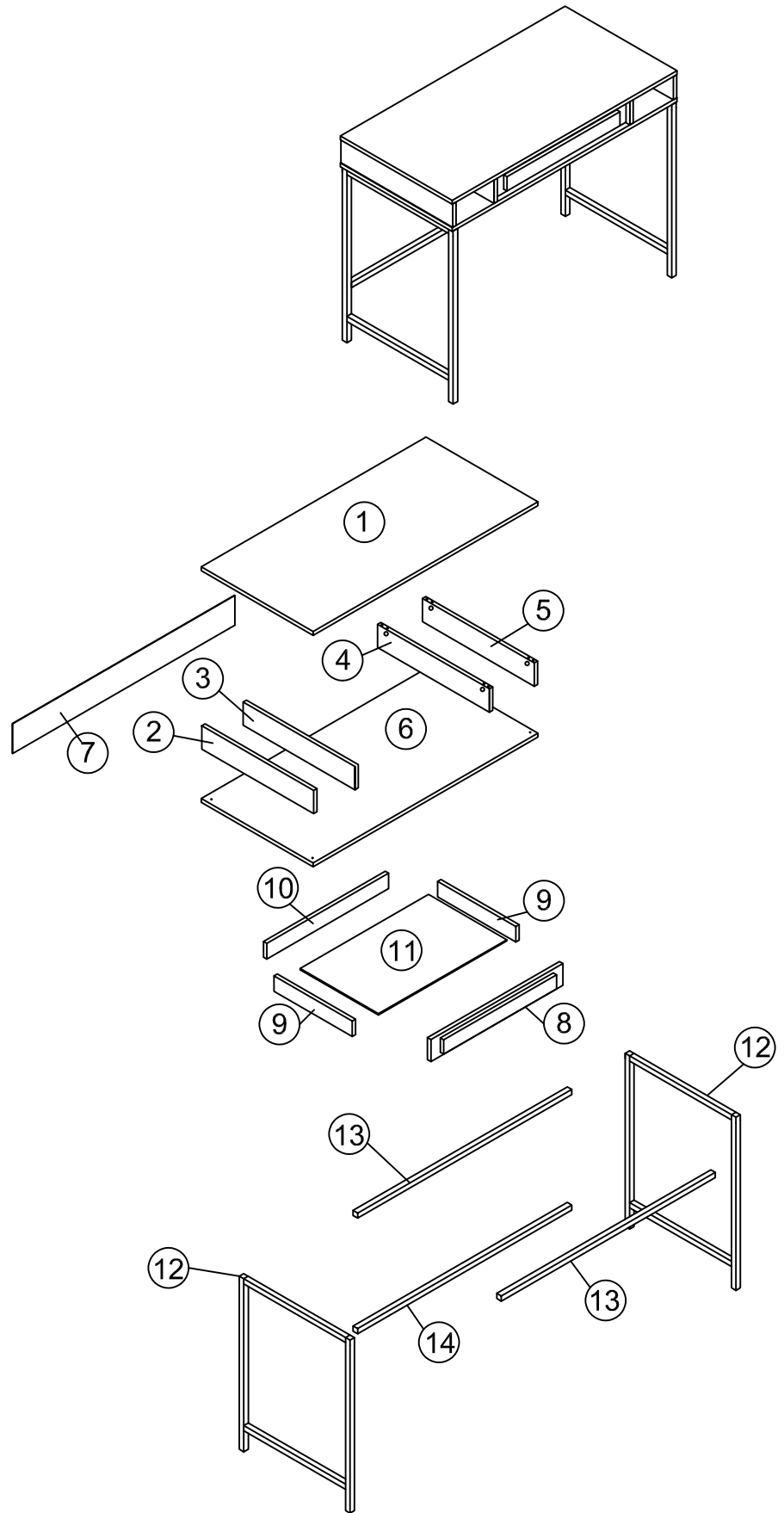
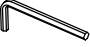




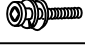
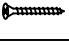
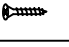
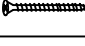
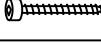

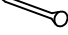


# Assembly Instructions

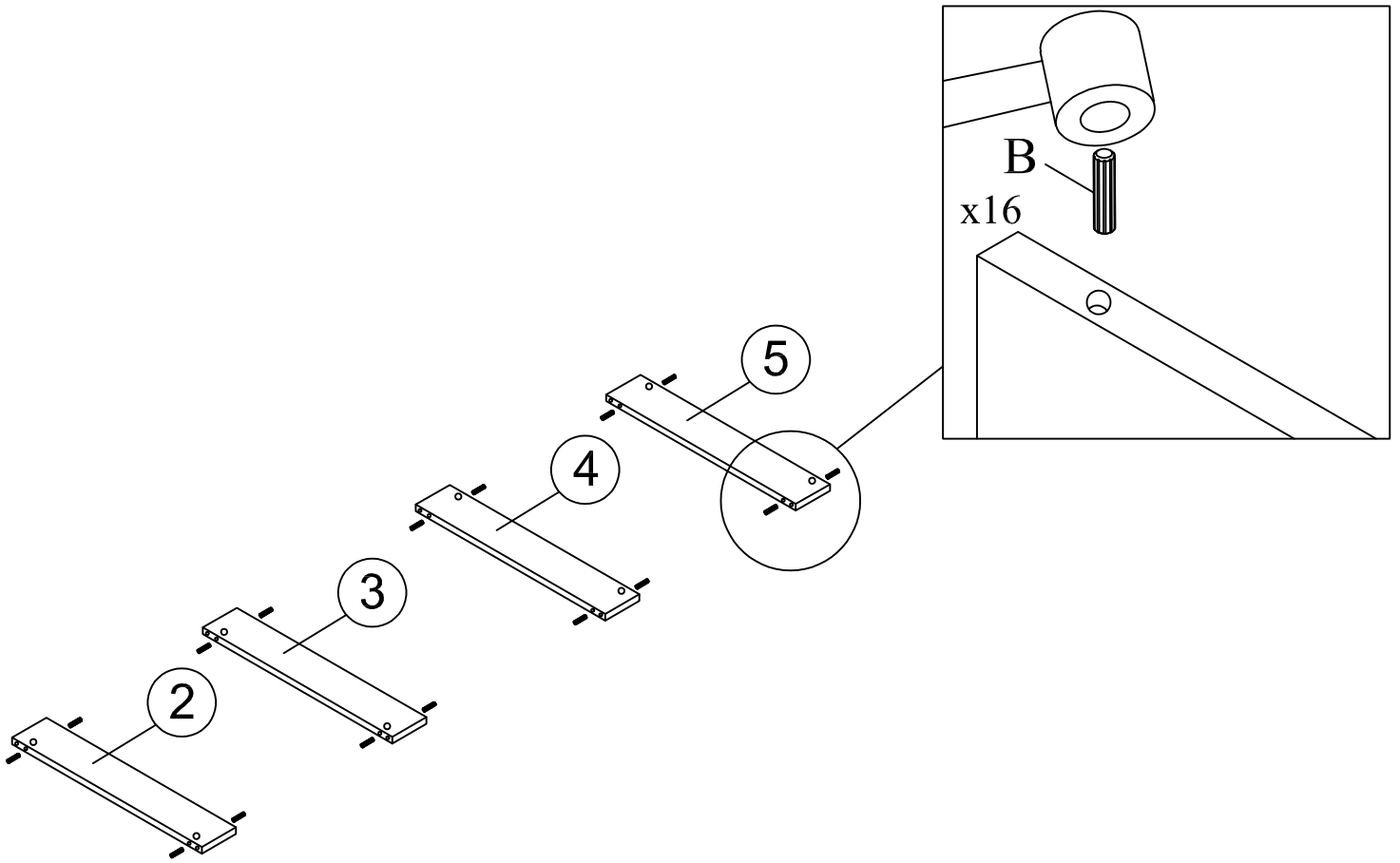
Model: ST 8002

Part List		QTY
1	Top Panel	1
2	Left Side Panel	1
3	Left Centre Panel	1
4	Right Centre Panel	1
5	Right Side Panel	1
6	Bottom Panel	1
7	Back Panel	1
8	Drawer Front Panel	1
9	Drawer Side Panel	2
10	Drawer Back Panel	1
11	Drawer Bottom Panel	1
12	Metal Frame Leg	2
13	Metal Support Upper Leg	2
14	Metal Support Back Leg	1

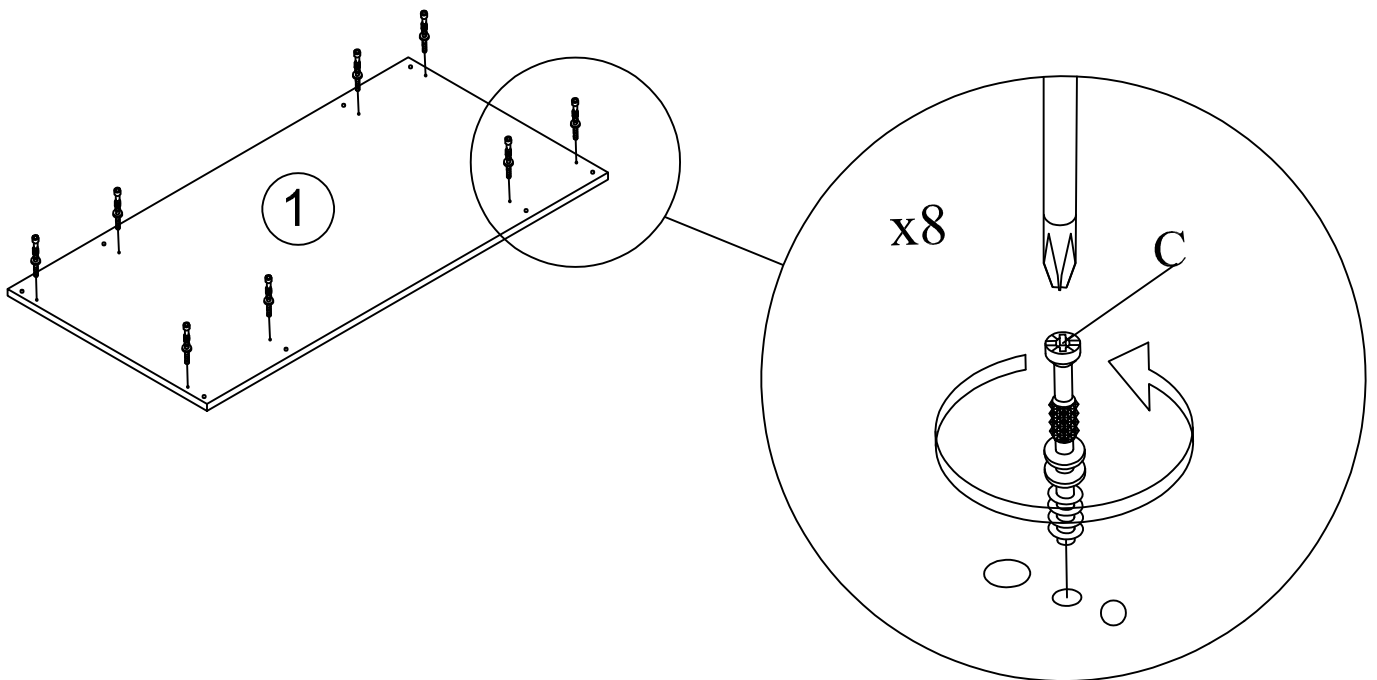


Hardware		QTY
A	Allen Key M4 	1
B	Plastic Dowel 	16
C	Mini Fix Bolt 	8
D	Mini Fix Housing 	8
E	Mini Fix Cap 	8
F	JCBC M6 x 50mm 	6
G	CSK Screw M4 x 32mm 	10
H	CSK Screw M4 x 16mm 	12
I	CSK Screw M4 x 50mm 	8
J	JCBC W Screw M6x40 	8
K	14" Drawer 	1
L	Nail 	22

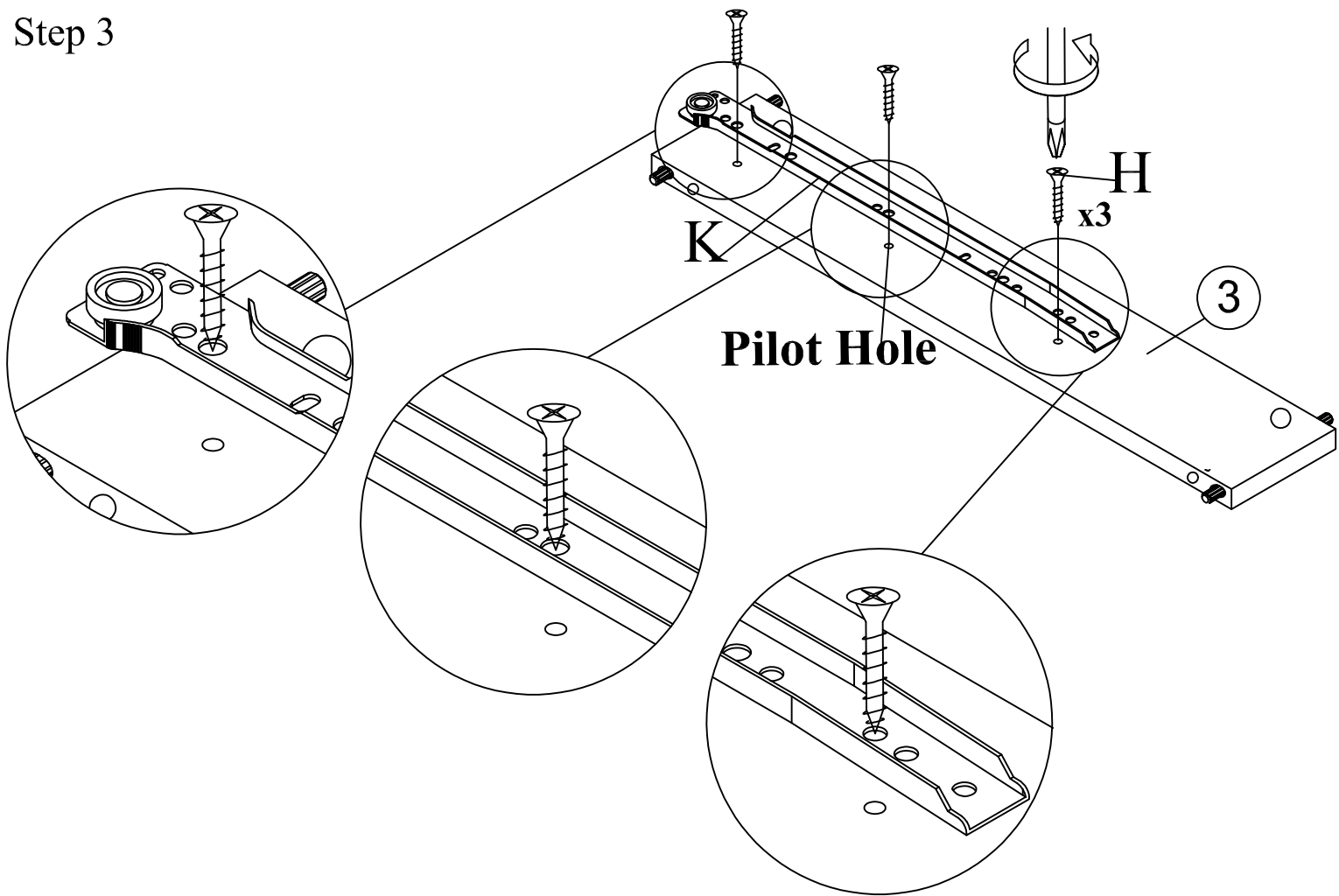
# Step 1



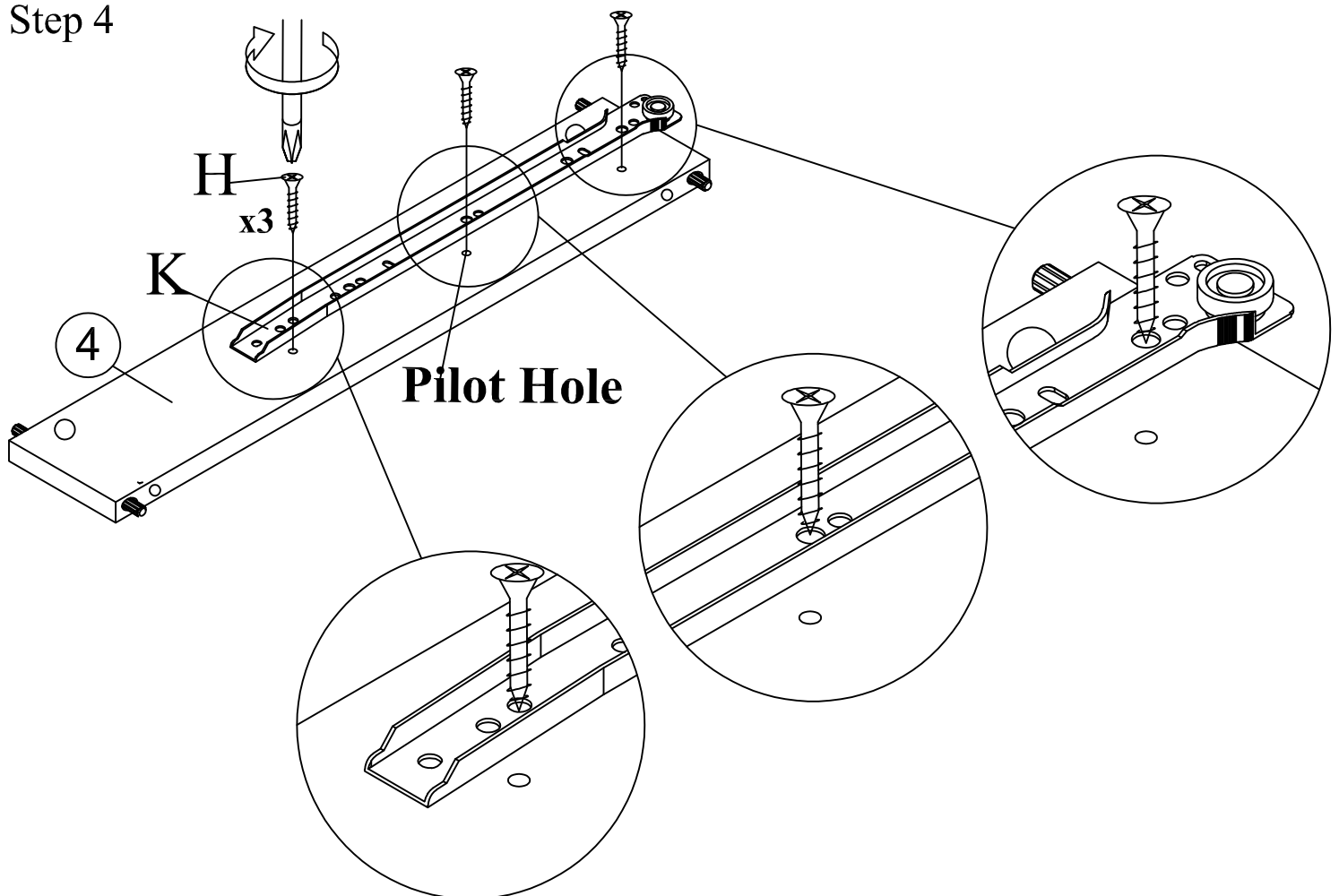
# Step 2



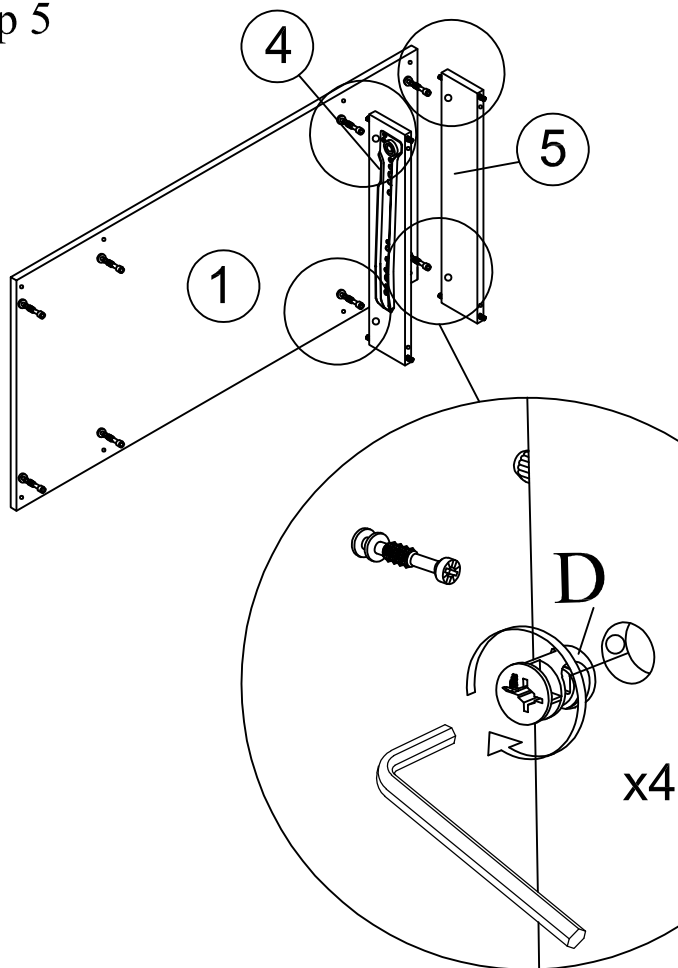
Step 3



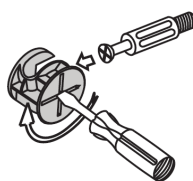
Step 4



## Step 5



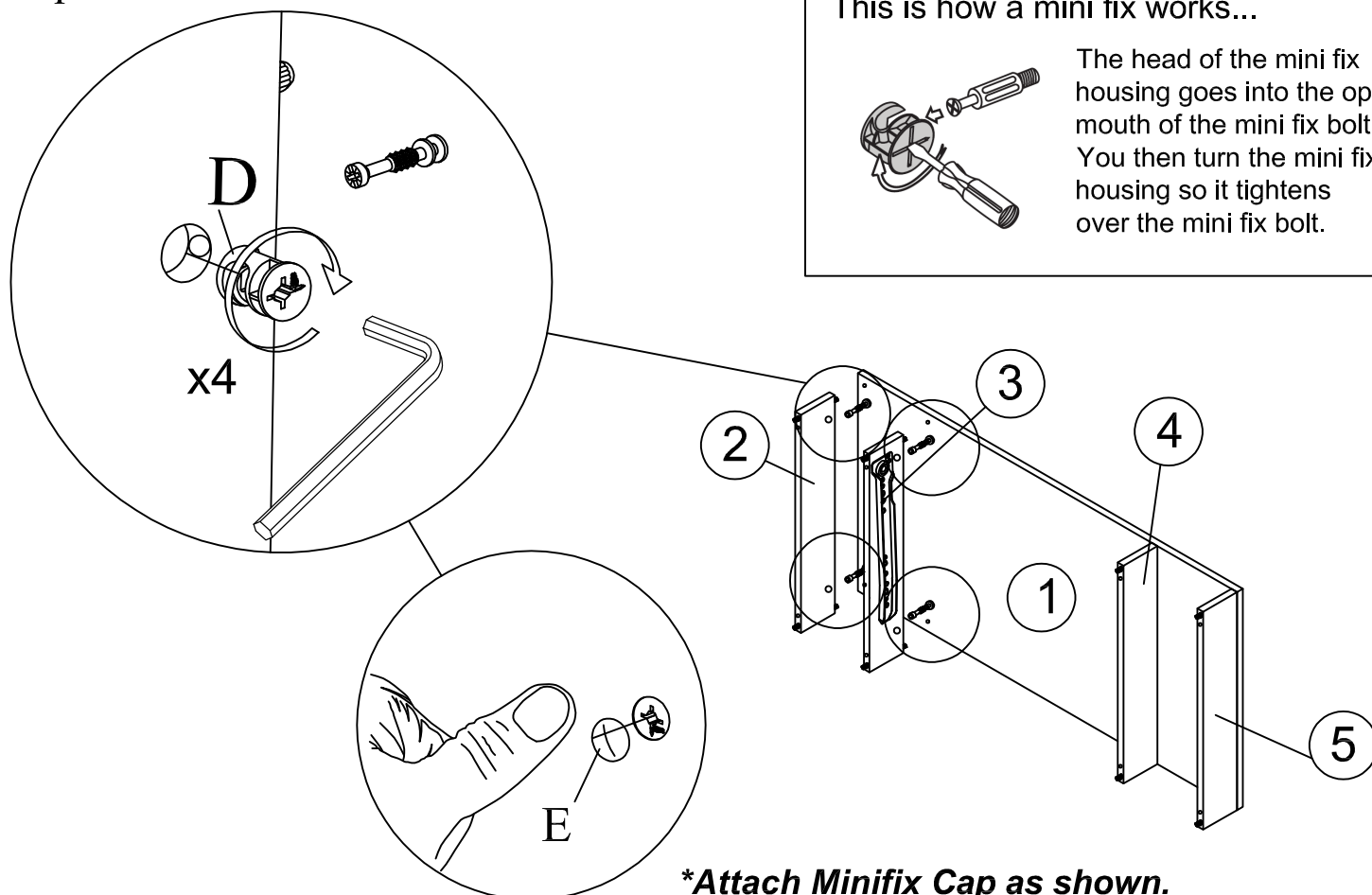
This is how a mini fix works...



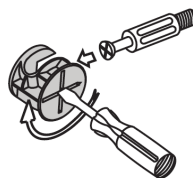
The head of the mini fix housing goes into the open mouth of the mini fix bolt. You then turn the mini fix housing so it tightens over the mini fix bolt.

**\*Attach Minifix Cap as shown.**

## Step 6



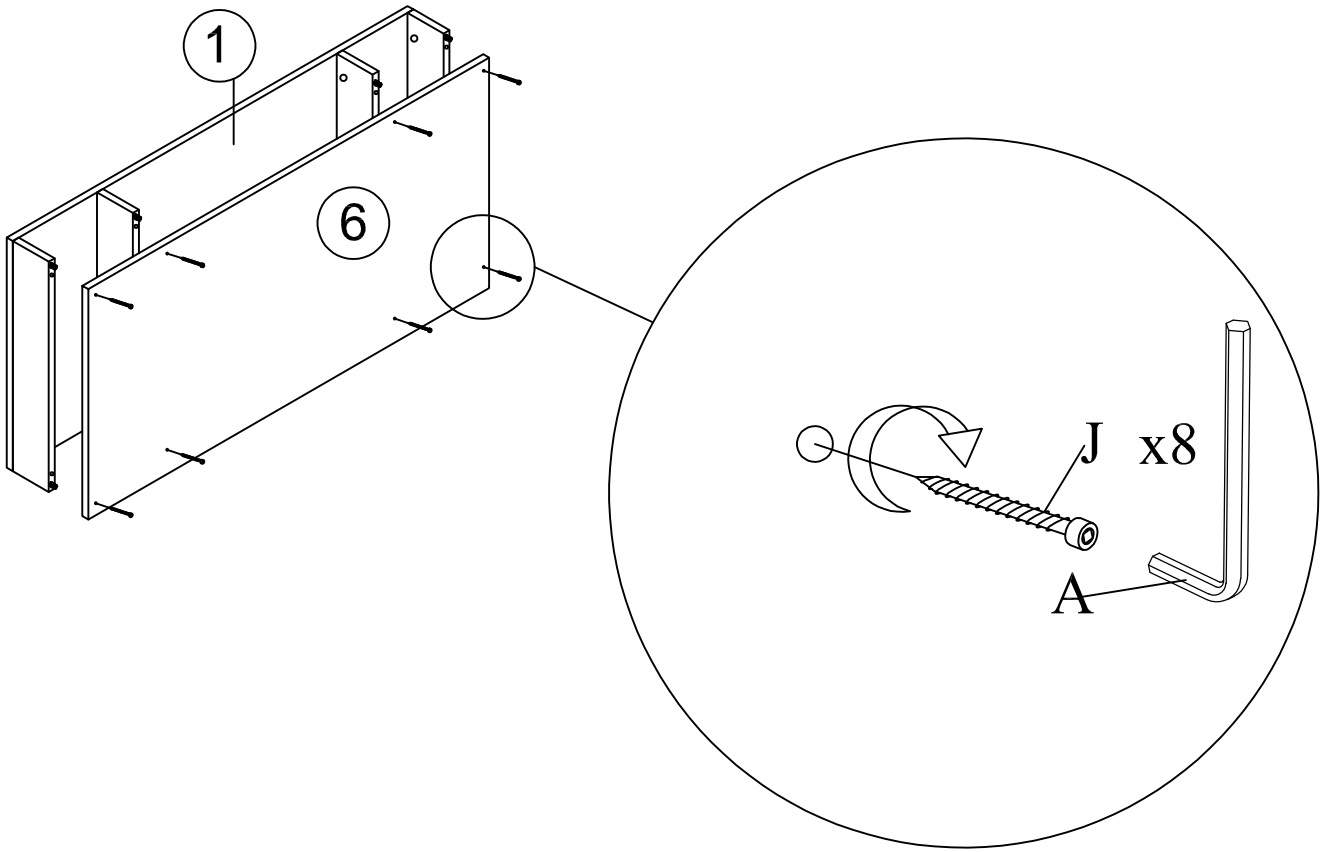
This is how a mini fix works...



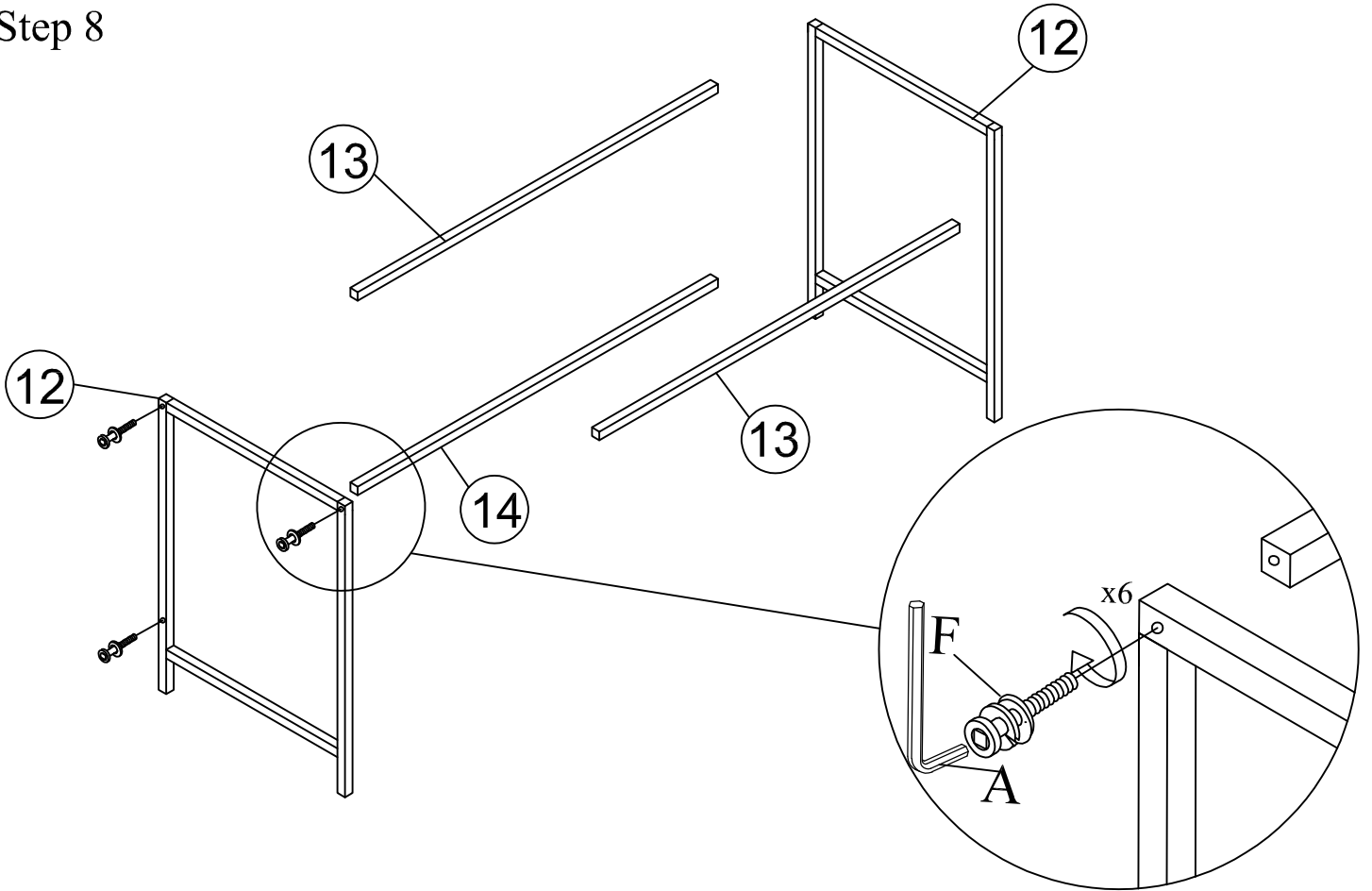
The head of the mini fix housing goes into the open mouth of the mini fix bolt. You then turn the mini fix housing so it tightens over the mini fix bolt.

**\*Attach Minifix Cap as shown.**

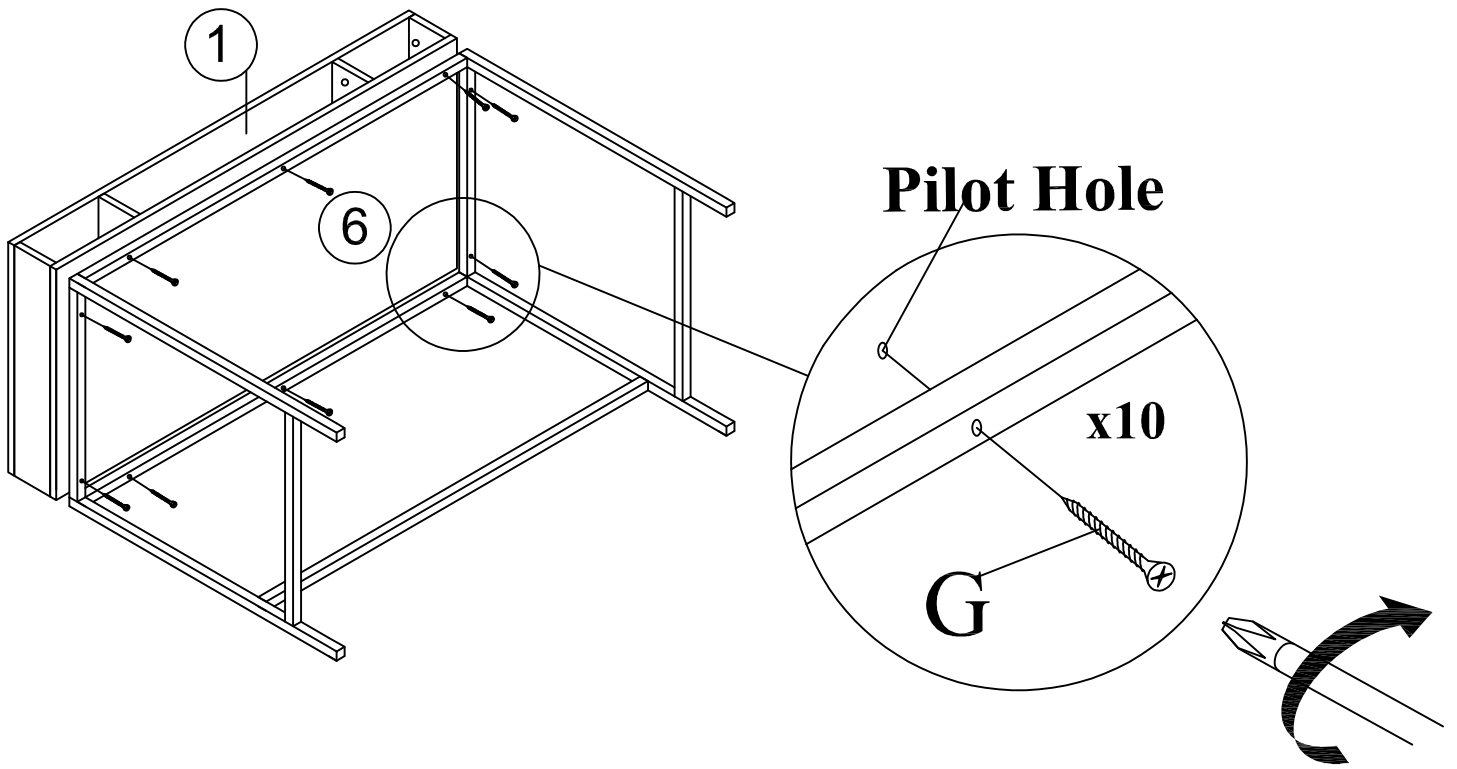
# Step 7



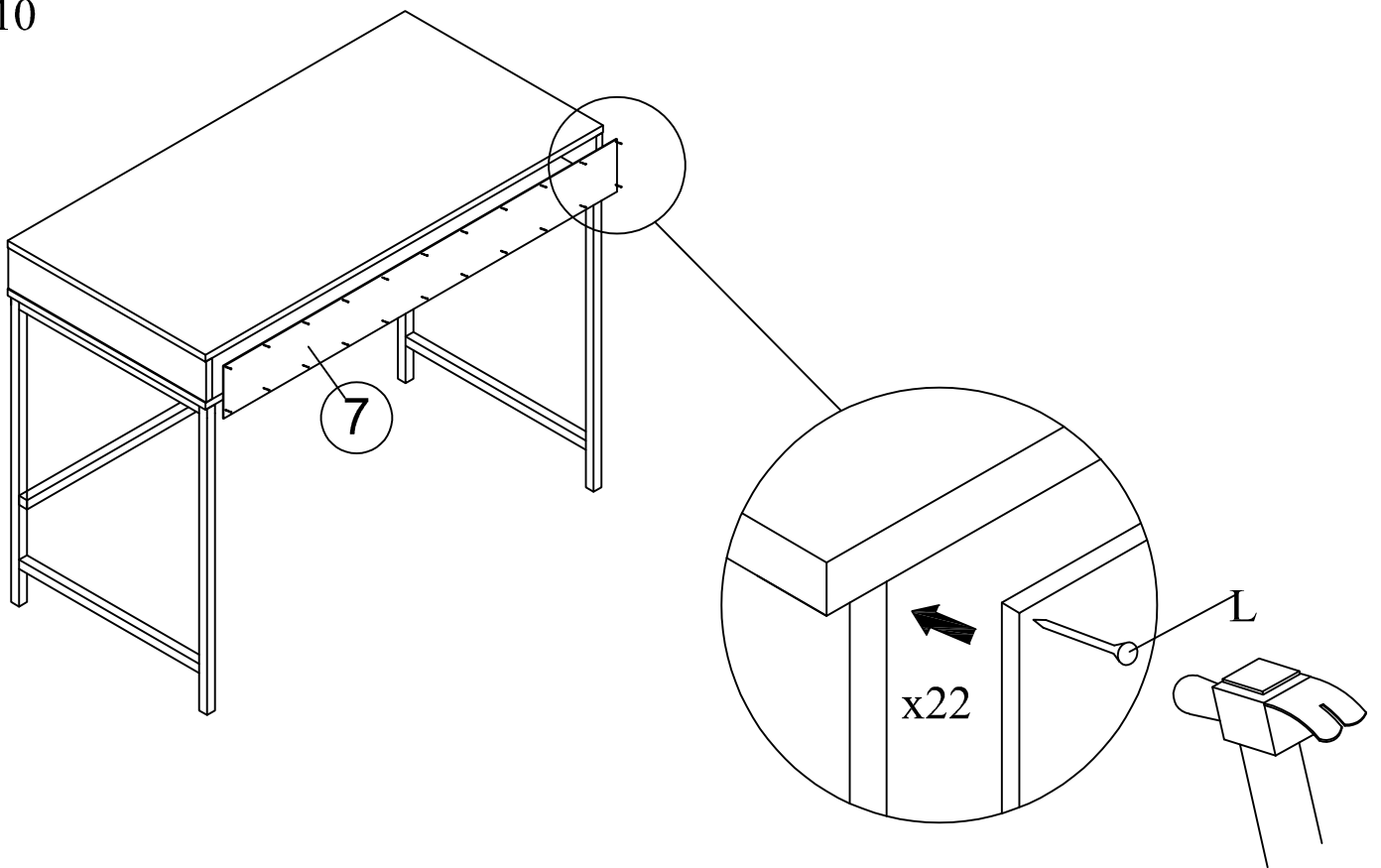
# Step 8



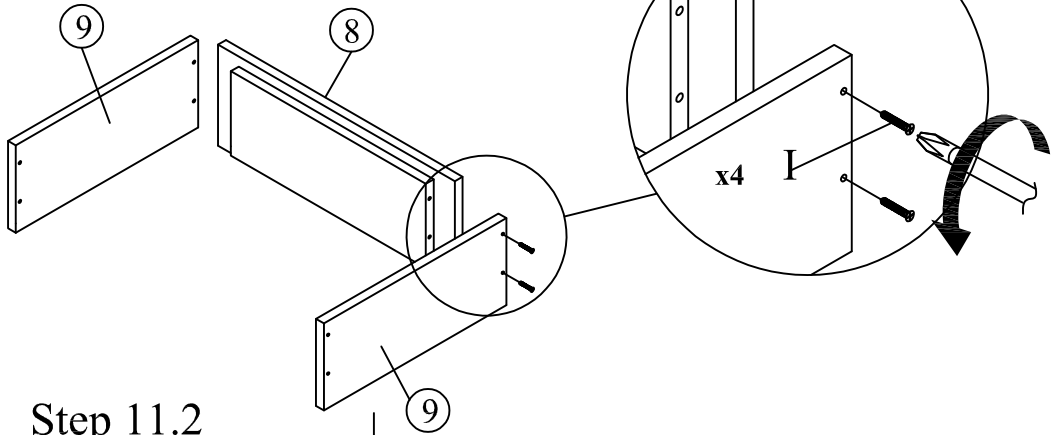
# Step 9



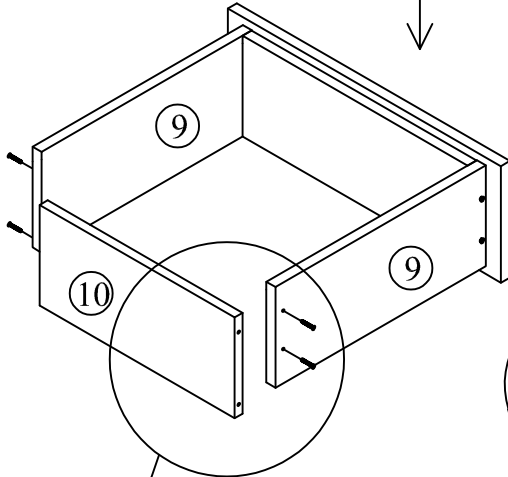
# Step 10



# Step 11 Step 11.1



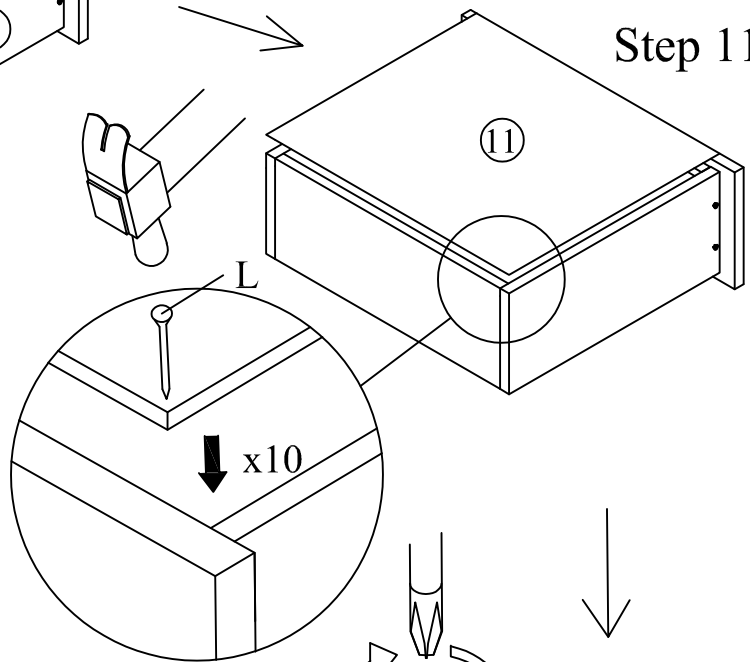
## Step 11.2



Back View

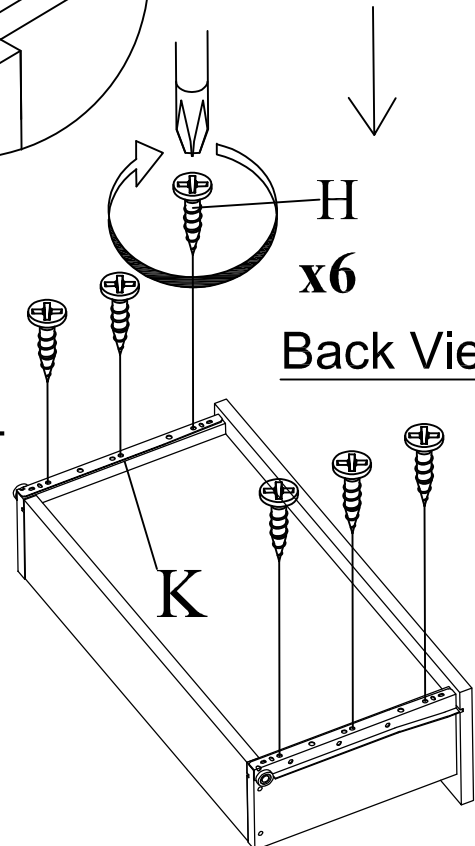
Back View

## Step 11.3



Back View

## Step 11.4



Step 12

