

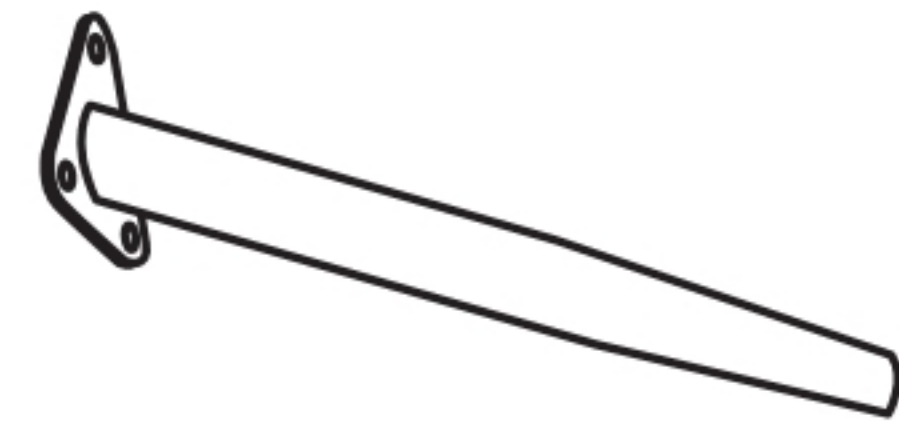
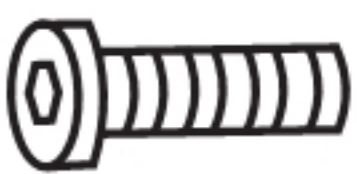



ASSEMBLE PICTURE

The diagram illustrates the assembly of a chair. The main view shows the chair's base (A) with four legs (B(L) and B(R)) and a backrest (C(R) and C(L)). A detailed inset shows the connection of parts D (screws) and E (L-shaped brackets) to the base. The parts list on the right provides the quantity for each component.

A		1
B	 L	2
C	 R	2
D		12
E		1