



SOFT, DRY CLOTH



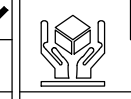
CHEMICAL



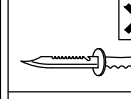
HEAT



KEEP DRY



HANDLE WITH CARE



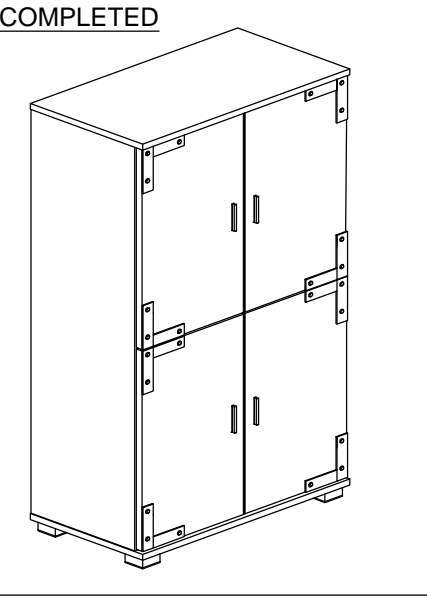
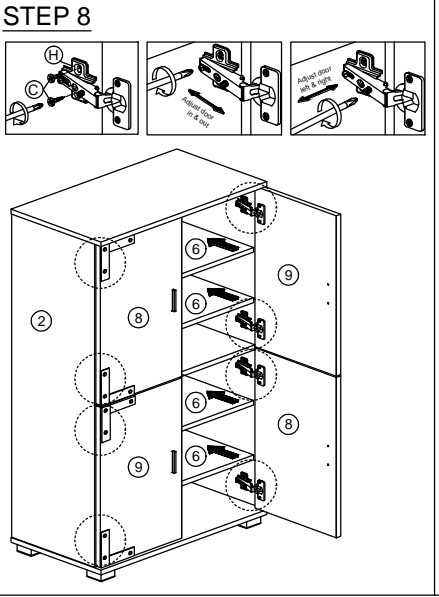
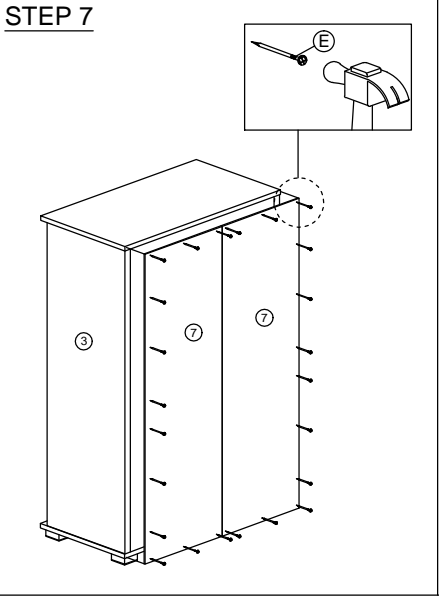
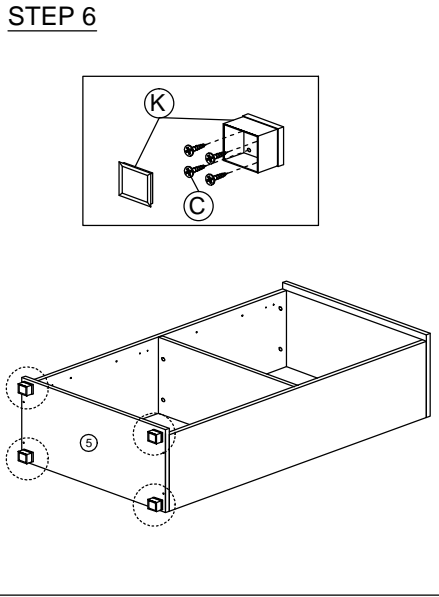
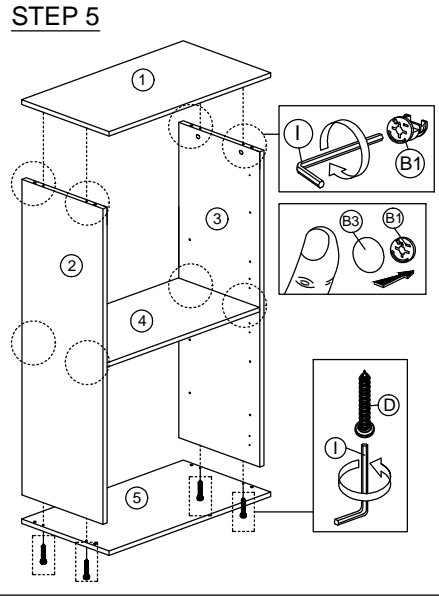
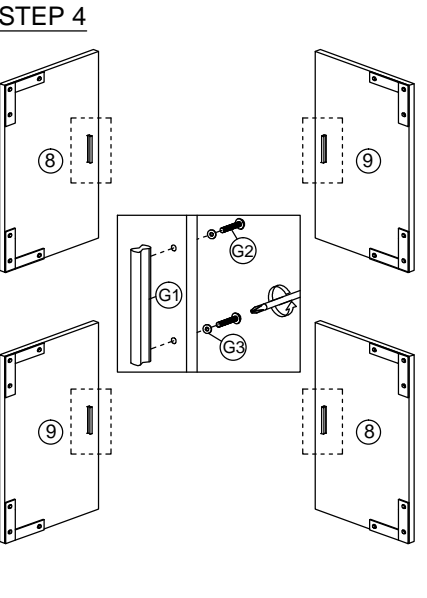
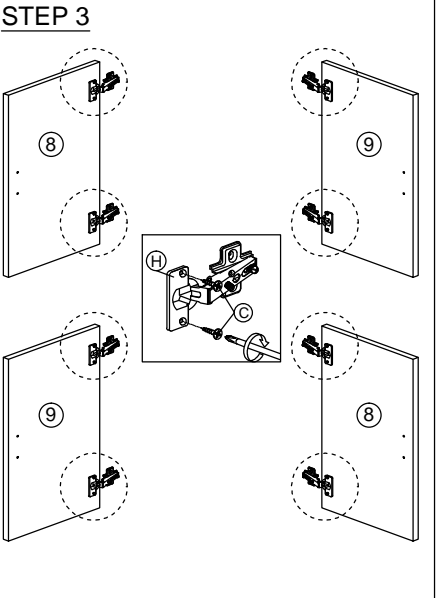
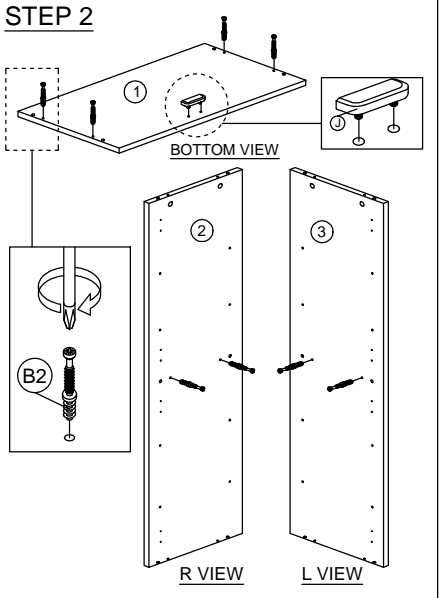
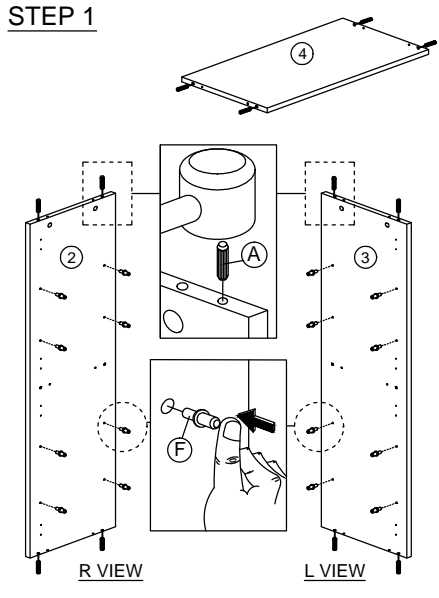
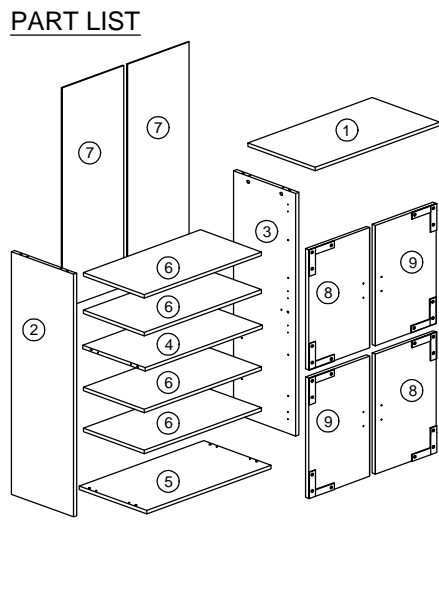
DO NOT USE KNIFE

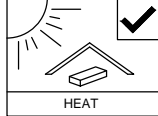
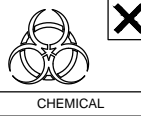
ASSEMBLY INSTRUCTION

MODEL : ID-SC 003

DESCRIPTION : 4 DOOR SHOE CABINET

HARDWARE	A	B	C	D	E	F	G	H	I	J	K			
	WOOD DOWEL M8 X 25MM	MINIFIX 5654+5546	QUICKFIT CAP	CB SCREW M3.5X16MM	CSK CAP M6X50MM	NAIL 5/8	SHELF SUPPORT 7050	HANDLE 7050	HANDLE SCREW M4X19MM	WASHER	HINGES 5/8	ALLEN KEY M4	2 PIN STOPPER	5038 PVC SQUARE LEG
	12	8 SETS	48	4	24	16	4	8	8	8	1	1	4	





ASSEMBLY INSTRUCTION

MODEL : ID-SC 003

DESCRIPTION : 4 DOOR SHOE CABINET

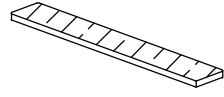
ANTI STOPPER

Z1



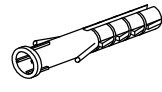
WASHER
X4

Z2



SAFETY STRAP
X2

Z3



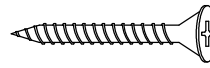
PLASTIC WALL ANCHOR-RED
X2

Z4



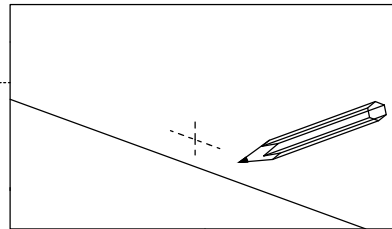
CB SCREW
M3.5X16MM
X2

Z5

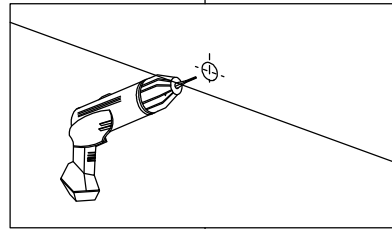


CB SCREW
M4X38MM
X2

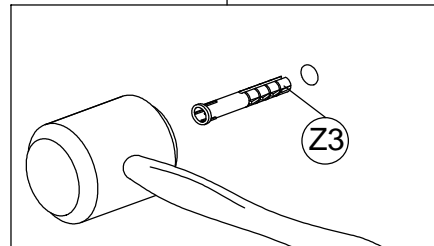
1.



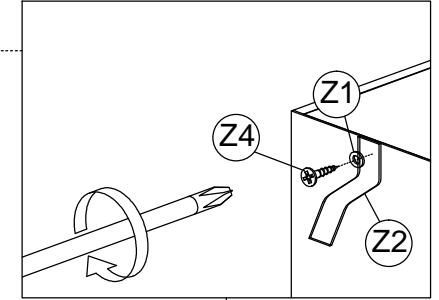
2.



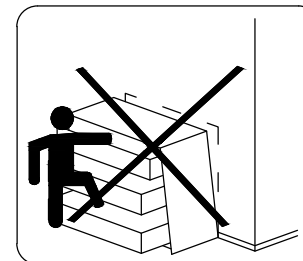
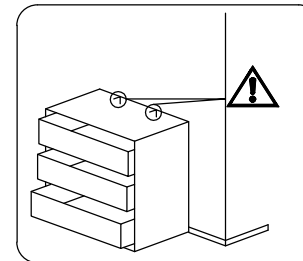
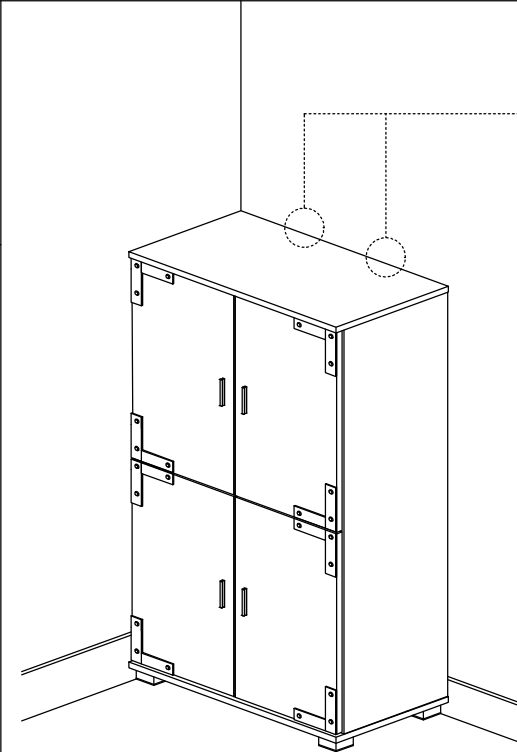
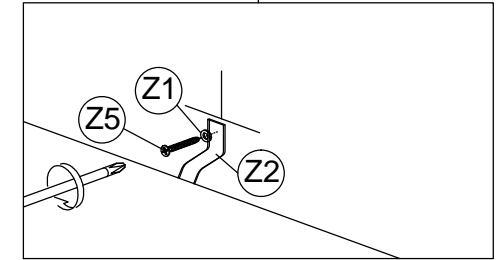
3.



4.



5.



WARNING

Serious or fatal crushing injuries can occur from furniture tipover. To help prevent tip-over:

- Install tip over restraint provided.
- Place heaviest items in the lower drawers.
- Unless specifically designed to accommodate, do not set TVs or other heavy object on top of this product.
- Never allow children to climb or hang on drawers, doors or shelves.
- Never open more than one drawer at a time. (OR)
- Do not defeat or remove the drawer interlock system.

Use of tipover restraints may only reduce, but not eliminate, the risk of tipover.

This is a permanent label. Do not remove.