

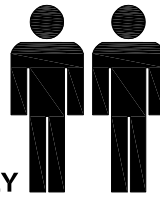
MODEL NAME:

ET 4015-01

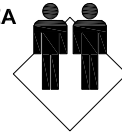
2.0hr

APPROXIMATE ASSEMBLY TIME

2 PERSONS OF ASSEMBLY

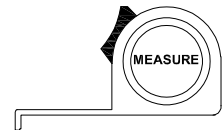
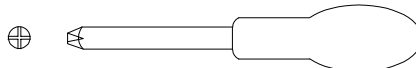
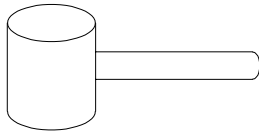


FLOOR AREA
1.2M X 1.8M

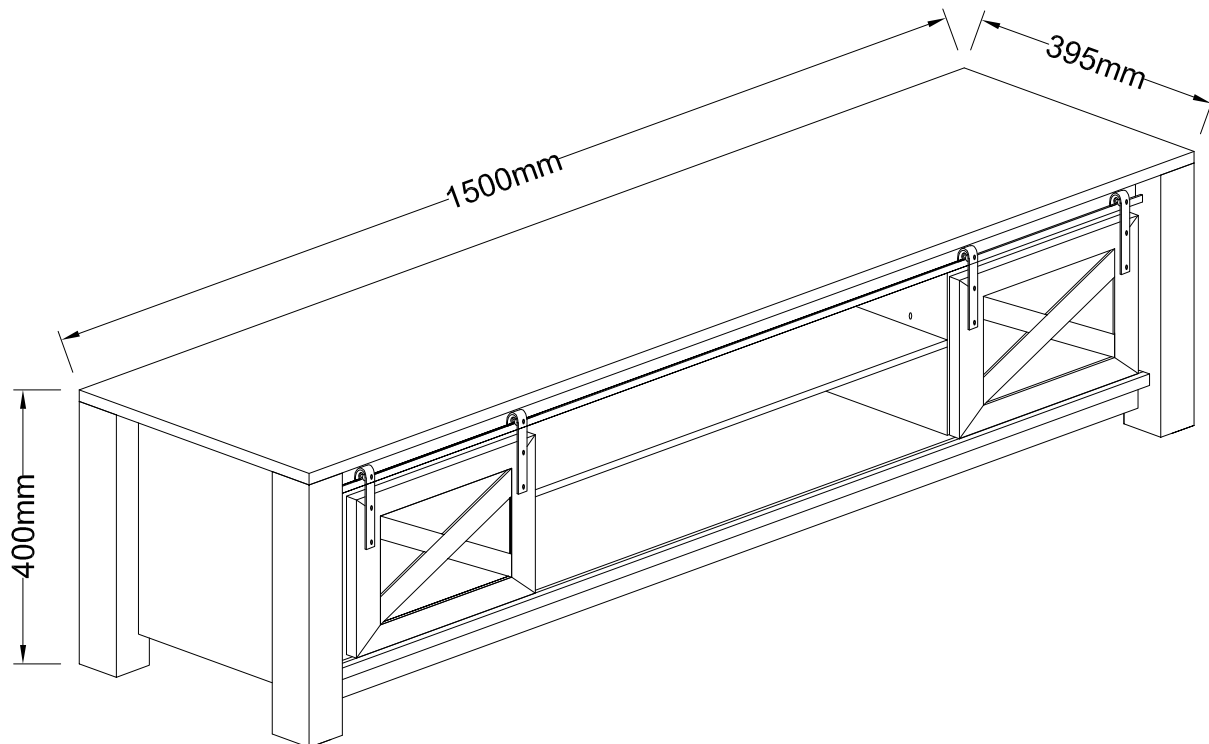


REQUIRED ASSEMBLY SPACE

REQUIRED ASSEMBLY TOOLS



ASSEMBLED DIMENSIONS



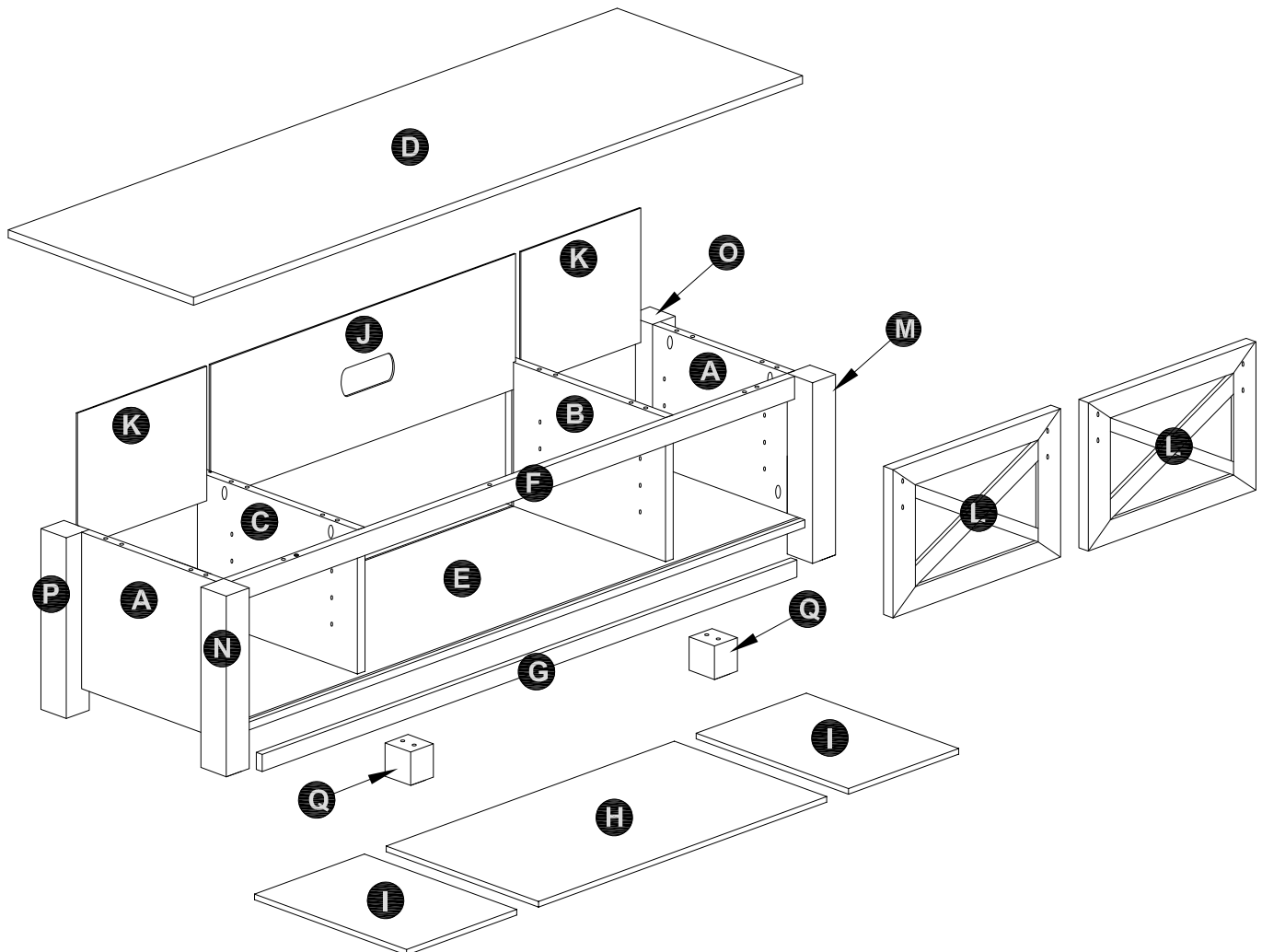
NOTE : THE MAXIMUM WEIGHT THIS PRODUCT CAN HOLD UP TO 35 KGS.

MODEL NAME:

ET 4015-01

NO.	PART LIST	QTY	NO.	PART LIST	QTY
(A)	RIGHT & LEFT SIDE PANEL	2	(H)	ADJUSTABLE PANEL-LARGE	1
(B)	RIGHT CENTRE PANEL	1	(I)	ADJUSTABLE PANEL-SMALL	2
(C)	LEFT CENTRE PANEL	1	(J)	BACK PANEL-CENTRE	1
(D)	TOP PANEL	1	(K)	BACK PANEL-SIDE	2
(E)	BOTTOM PANEL	1	(L)	DOOR PANEL	2
(F)	FRONT TOP SUPPORT	1	(M)	RIGHT FRONT LEG	1
(G)	FRONT BOTTOM SUPPORT	1	(N)	LEFT FRONT LEG	1
			(O)	RIGHT BACK LEG	1
			(P)	LEFT BACK LEG	1
			(Q)	BOTTOM LEG	2

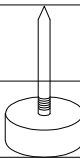
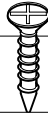

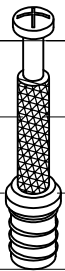

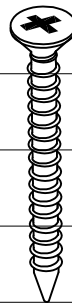
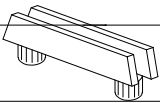
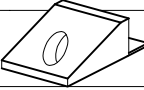
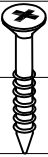
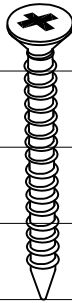
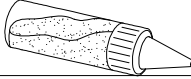
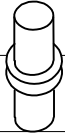
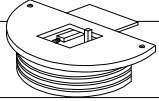

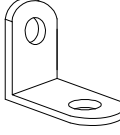
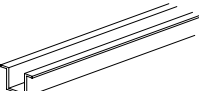
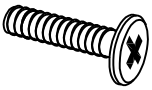

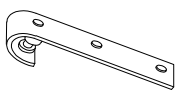

PARTS LIST



MODEL NAME:

ET 4015-01

HARDWARE LIST

						
6X	26X M3.5 x 12mm	22X Dia.15mm	22X M6.5	25X Dia.6 x 30mm	4X M5 x 40mm	4X
1	2	3	4	5	6	7
LEG COVER	FLAT HEAD SCREW	CAMLOCK	QUICKFIT	WOOD DOWEL	FLAT HEAD SCREW	MDF SUPPORT
						
4X	4X M3 x 20mm	4X M8 x 38mm	1X	12X Dia.5 x 16mm	4X	1X M4
8	9	10	11	12	13	14
BACKPLY STOPPER	FLAT HEAD SCREW	FLAT HEAD SCREW	GLUE 10CC	SHELF STUB	DOOR HOLDER	ALLEN KEY HOLDER
						
9X	1X 1394mm	6X 1/4 x 25mm	8X 1/4 x 12mm	4X	1X 1394mm	
15	16	17	18	19	20	
L-BRACKET	SLIDING RAIL	ALLEN HEAD SCREW	FLAT HEAD SCREW	PULLEY	ALUMINIUM STRIP	

MODEL NAME:

ET 4015-01

Top Tips before you start!

1. Please check that all parts are present before you start the assembly of your furniture.
2. For ease and speed of assembly, we recommend that before you commence each step of the assembly, that you identify all the parts required for that step.
3. For larger items, please ensure that you have sufficient space and people (as indicated on page 1) to assemble your product safely
4. We recommend that, where possible, all items are assembled near to the area in which they will be placed in use, to avoid moving the product unnecessarily once assembled.
5. For the protection of your furniture, particularly items of high gloss finish, we recommend that the product is placed on a protected surface during assembly to prevent any damage.
6. Caution - Electric / Battery operated screw driver NOT RECOMMENDED.
7. During assembly please take care not to over-tighten any fittings, as this may damage the product.
8. Always place the product on a flat, steady and stable surface.
9. Do not sit or stand on the product.
Do not use the product as a stepladder.
10. This product is intended for indoor, household use only as it is non industrial product.
11. This product is constructed from re-inforced hollow board. Excessive pressure cause irreparable damage. Please do not kneel on any part of this product during assembly.

Care and Maintenance of your Furniture

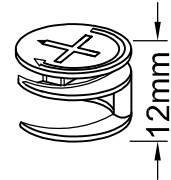
- Please periodically check all fittings and re-tighten as necessary.
- To clean your item, please use a damp cloth and wipe clean.
- Never allow any kind of liquid to remain on your furniture.
- Please do not place hot items (e.g. hot drinks) directly on to the wood surface.
- Please do not drag and pull your furniture.

MODEL NAME:

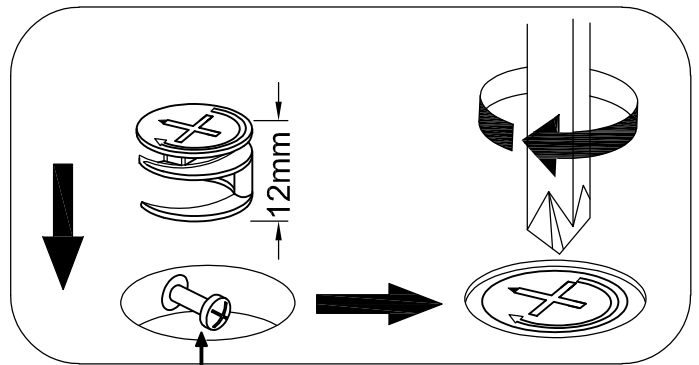
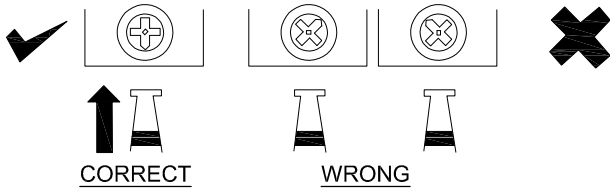
ET 4015-01

SPECIAL TIPS FOR FITTING CAM-LOCKS AND QUICKFIT

CAM-LOCK



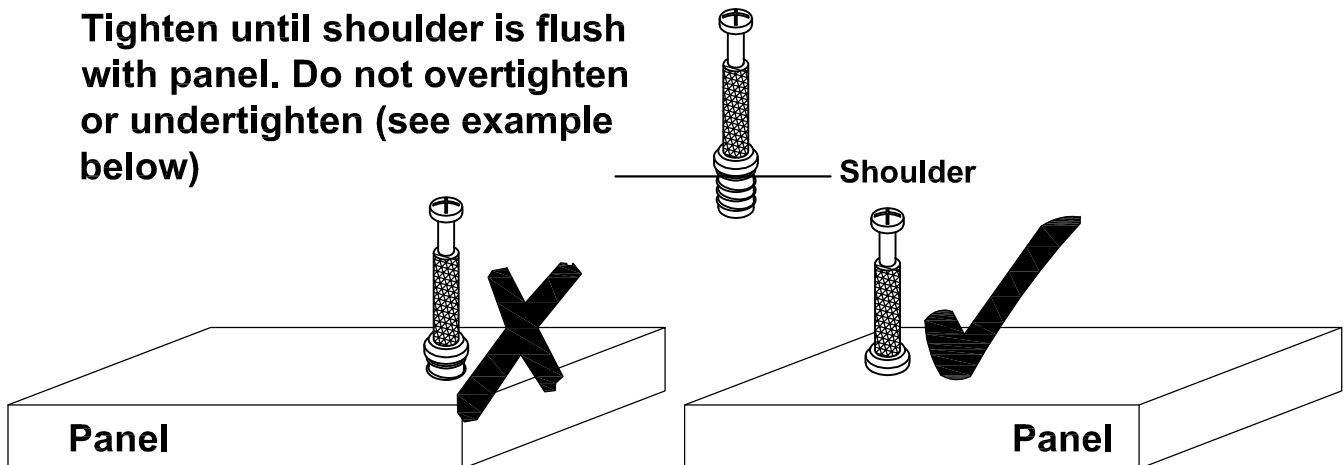
WHEN FITTING CAMLOCK
ENSURE STARTING POSITION IS CORRECT
BEFORE YOU INSERT CONNECTING QUICKFIT
TURN CLOCKWISE UNTIL SECURE



Quickfit head needs to be in centre

CAM BOLT

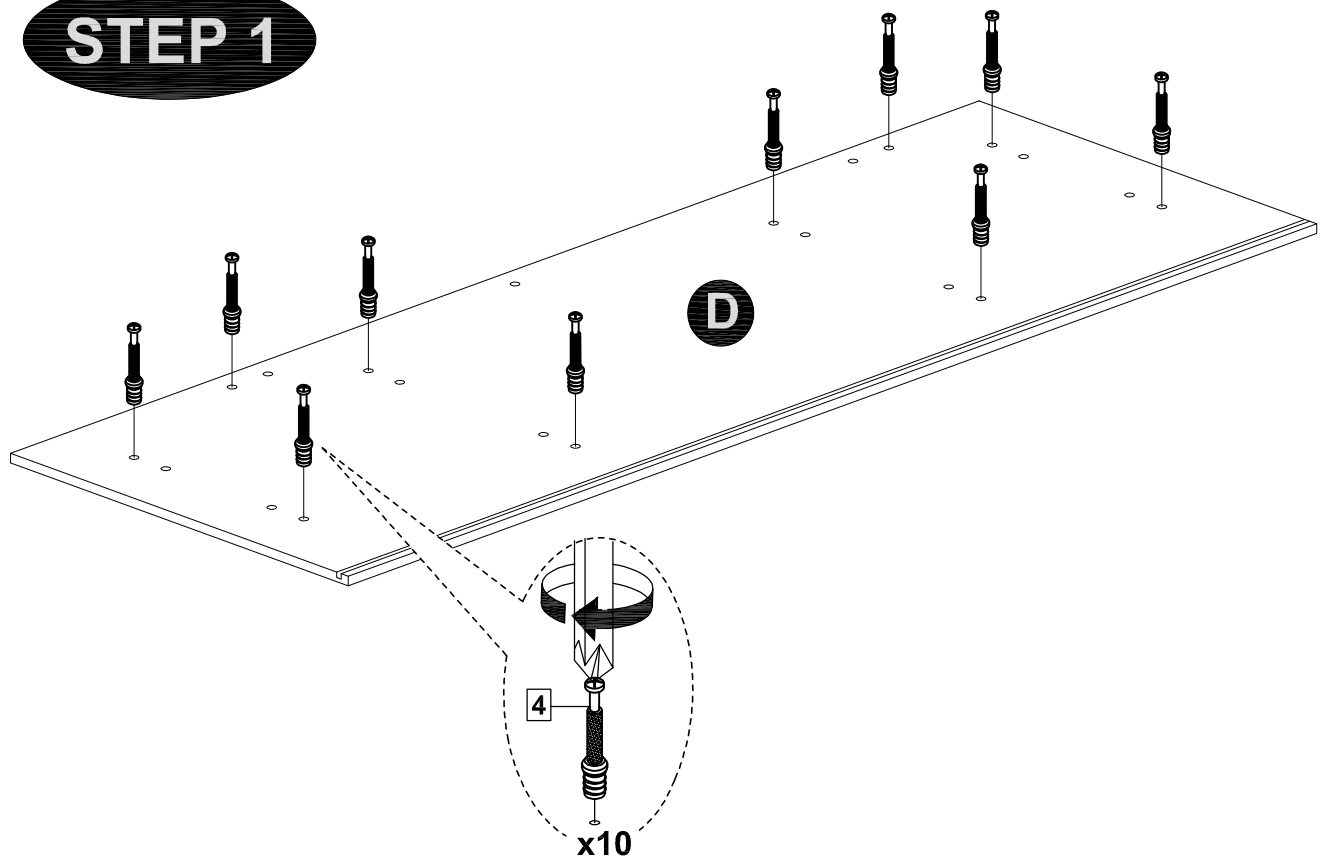
Tighten until shoulder is flush with panel. Do not overtighten or undertighten (see example below)



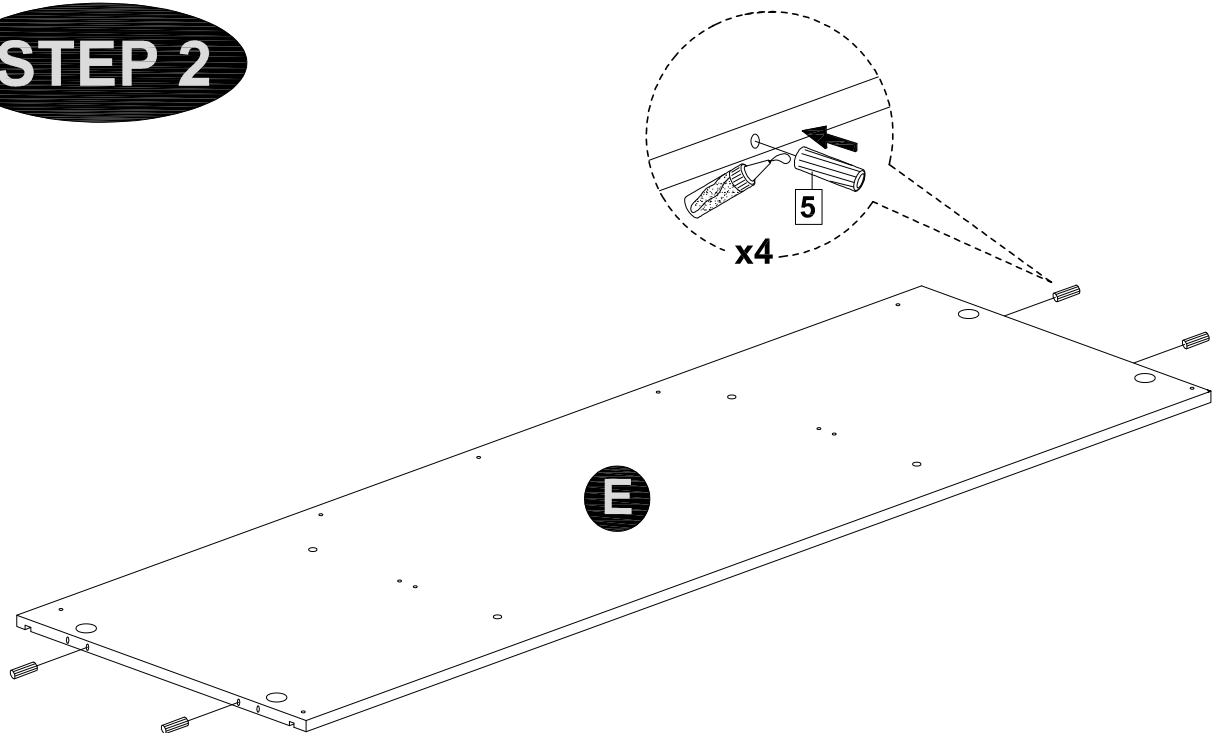
MODEL NAME:

ET 4015-01

STEP 1



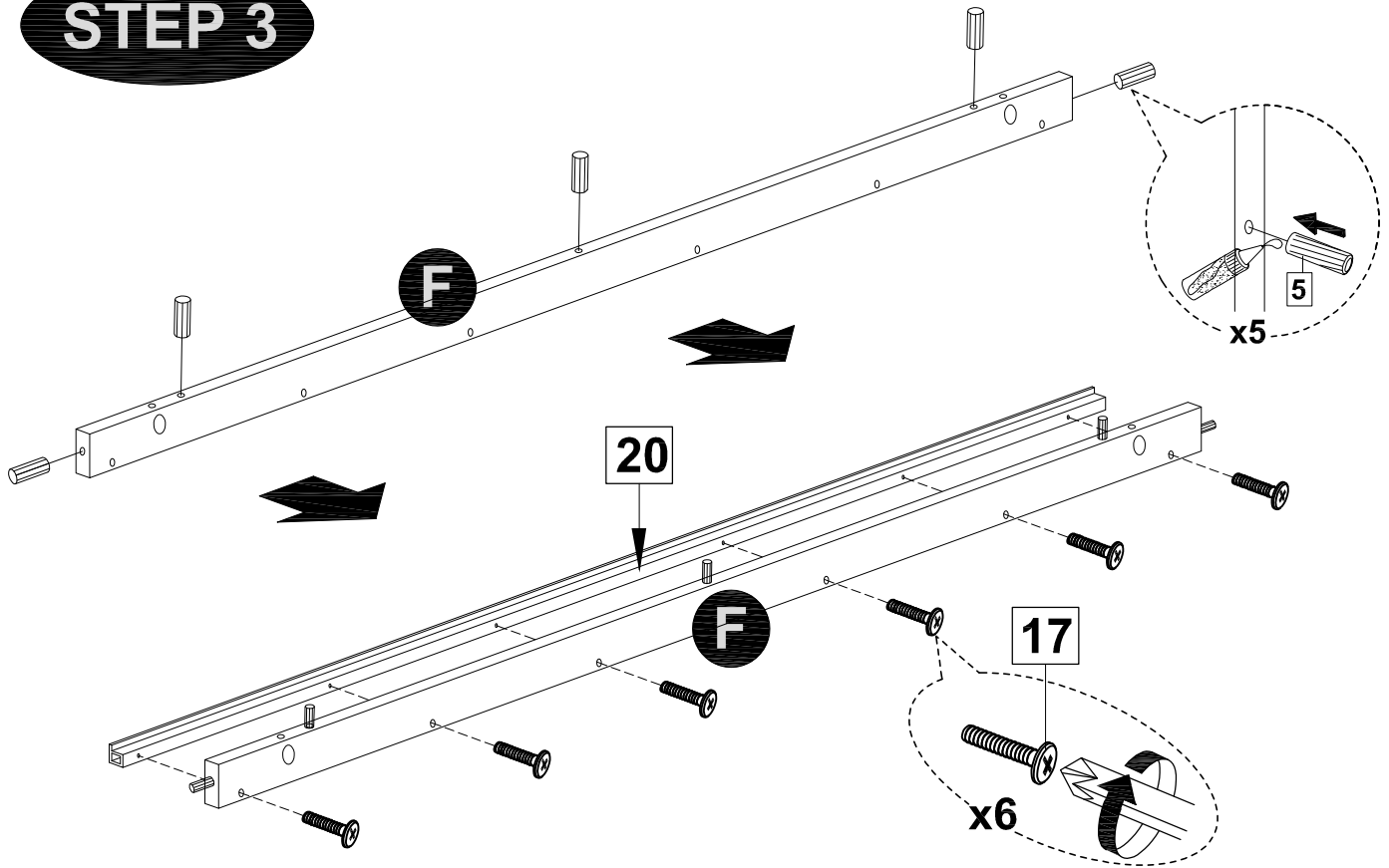
STEP 2



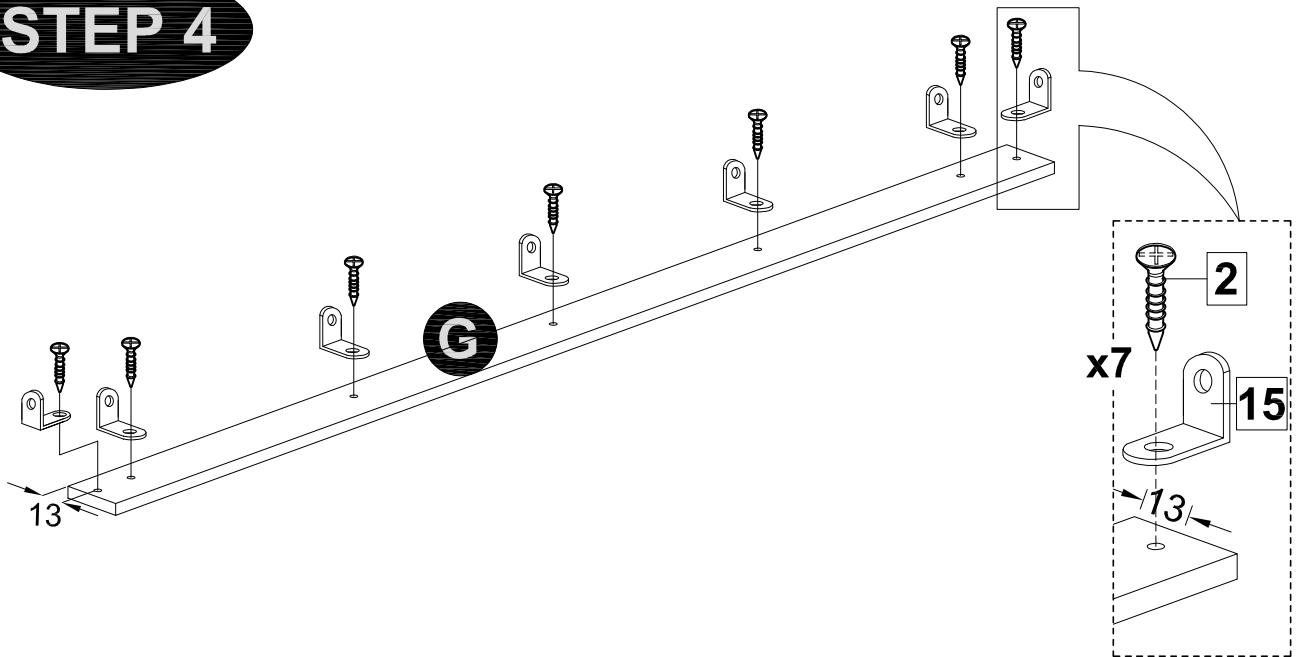
MODEL NAME:

ET 4015-01

STEP 3



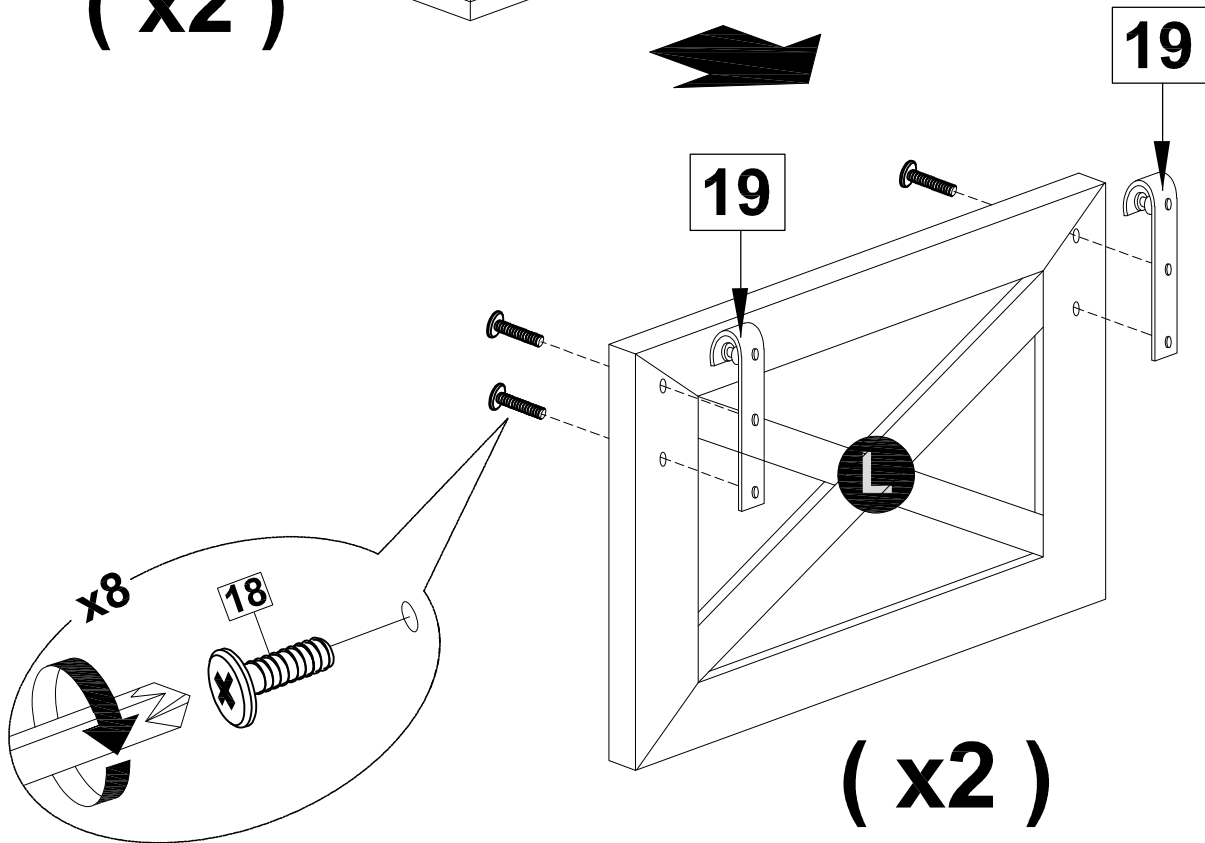
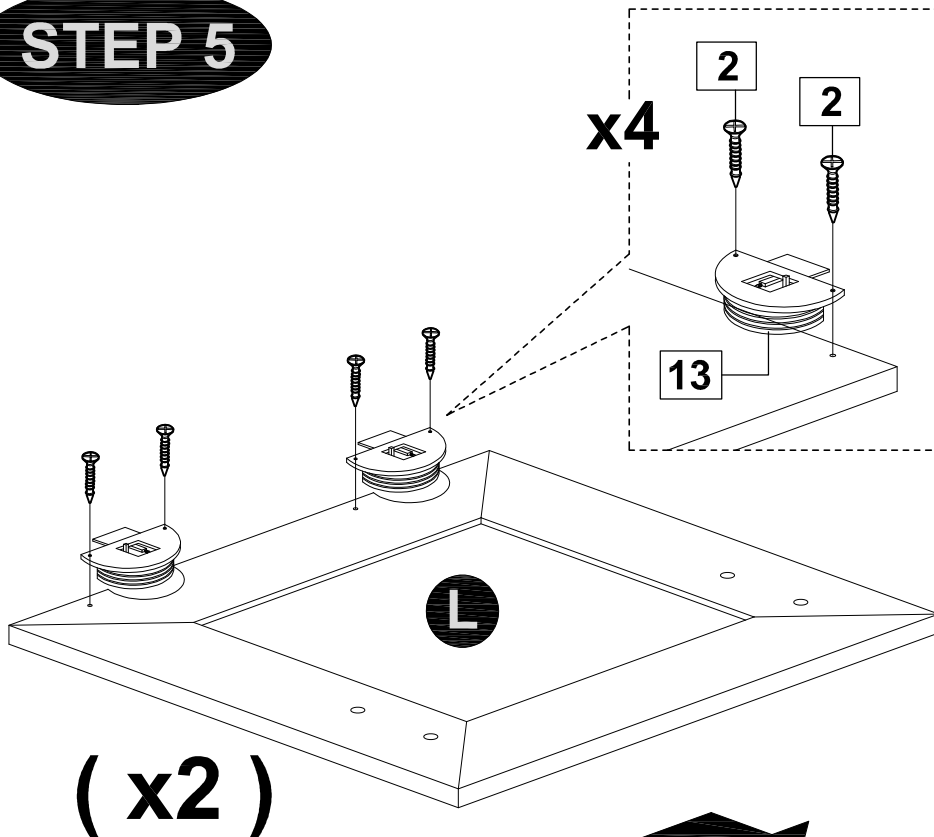
STEP 4



MODEL NAME:

ET 4015-01

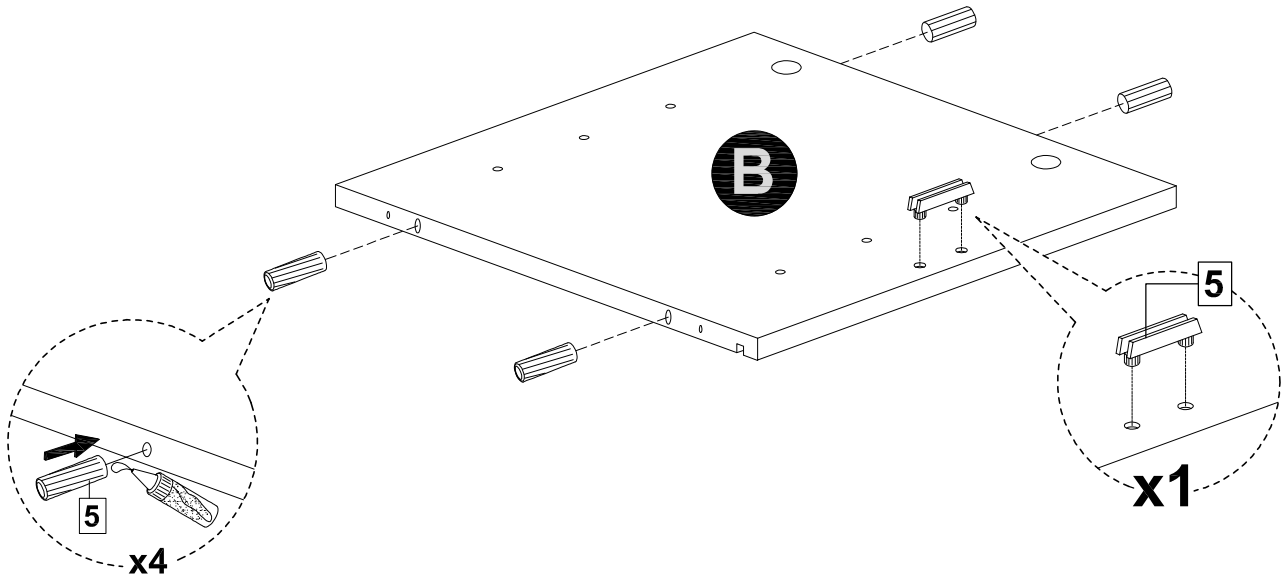
STEP 5



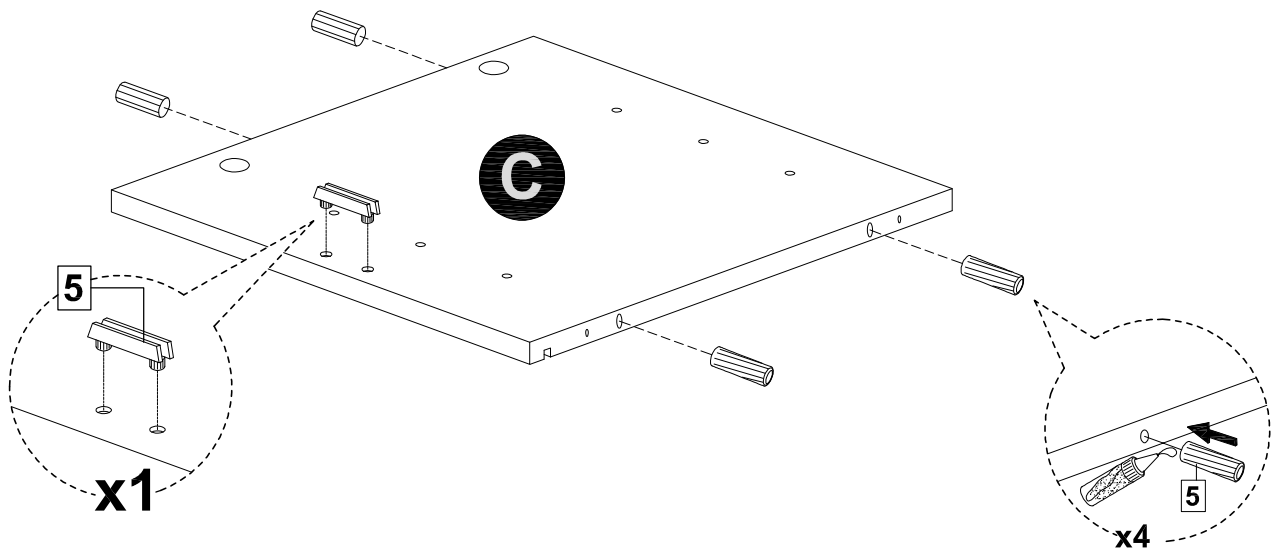
MODEL NAME:

ET 4015-01

STEP 6



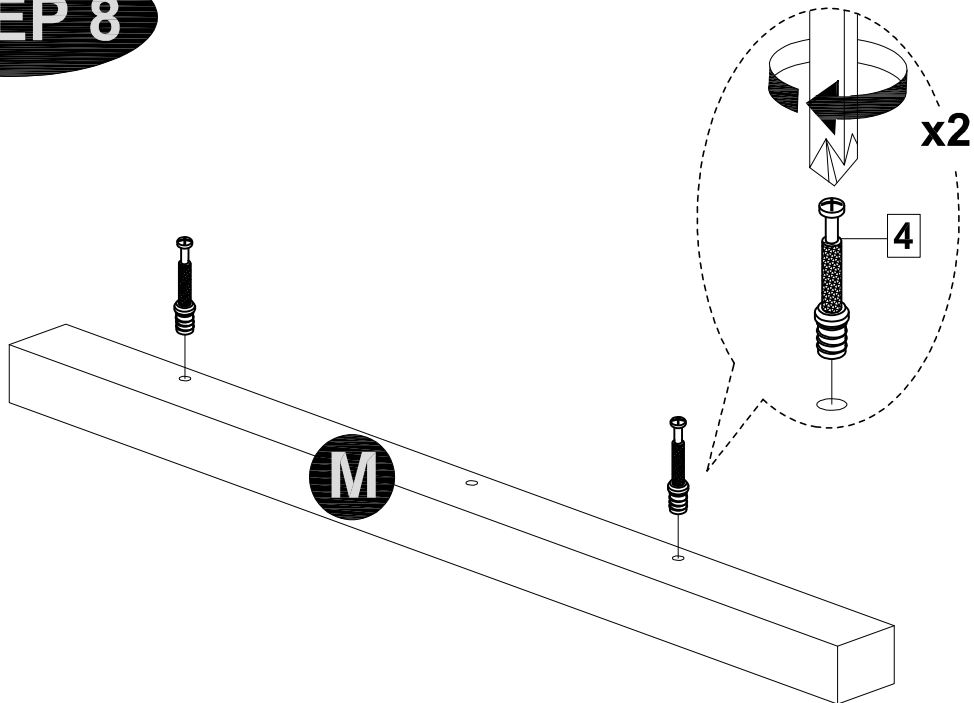
STEP 7



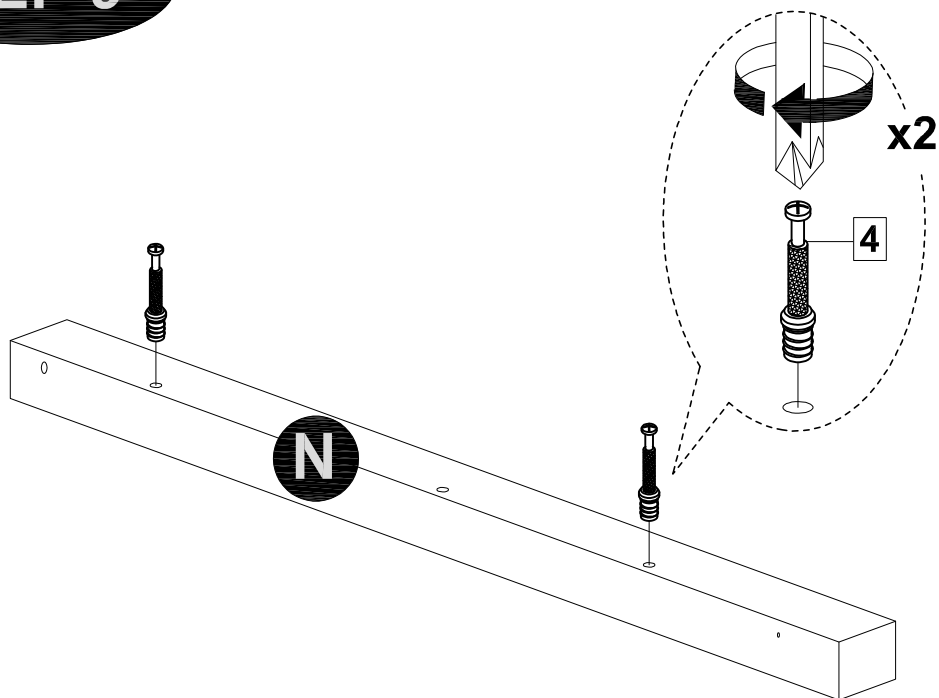
MODEL NAME:

ET 4015-01

STEP 8



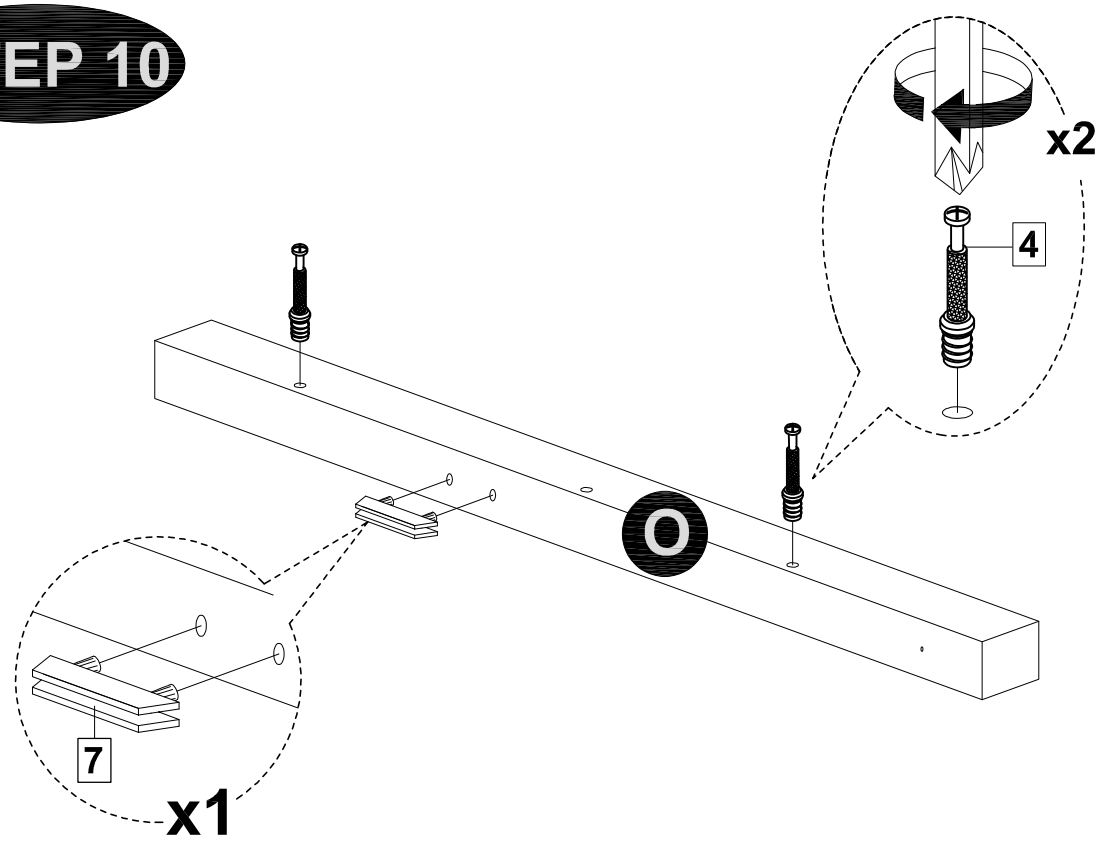
STEP 9



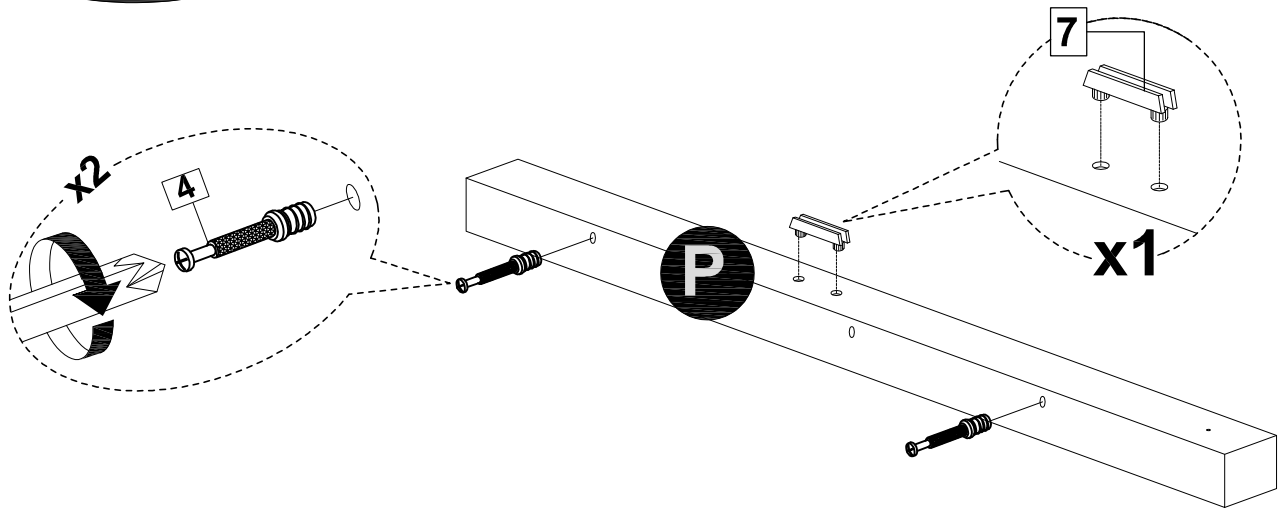
MODEL NAME:

ET 4015-01

STEP 10



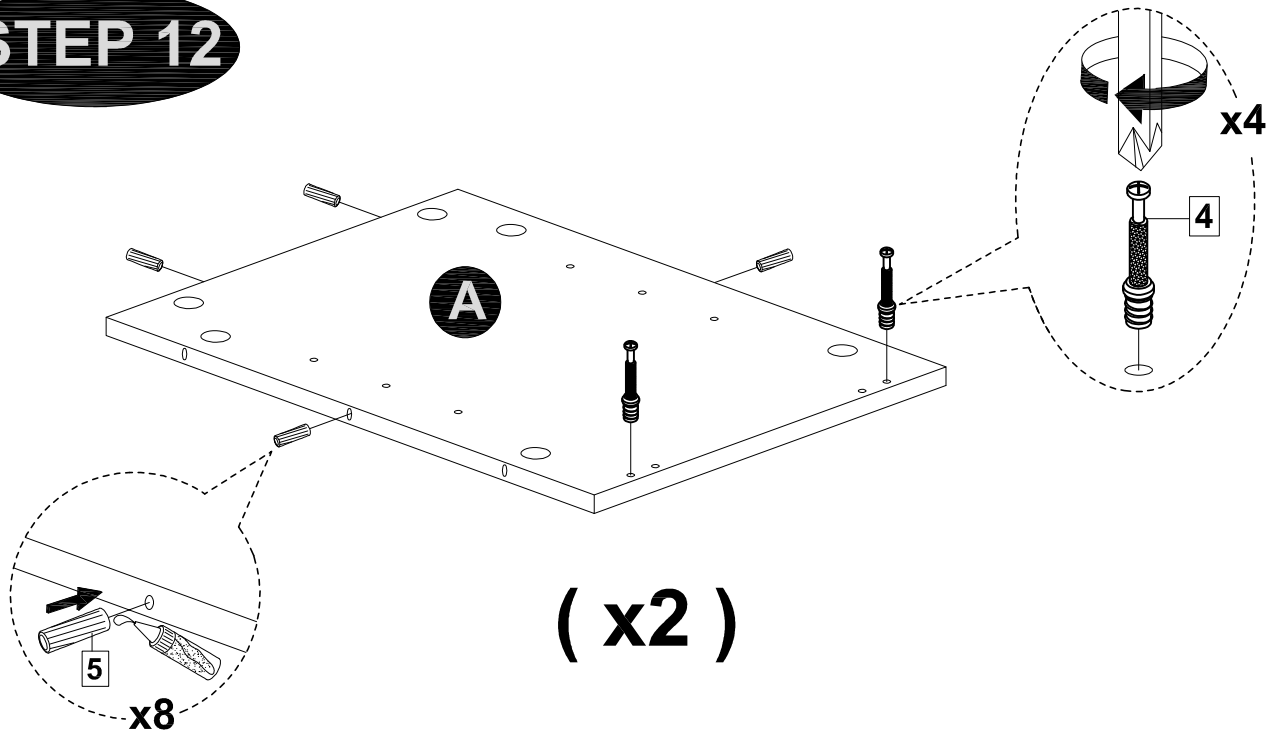
STEP 11



MODEL NAME:

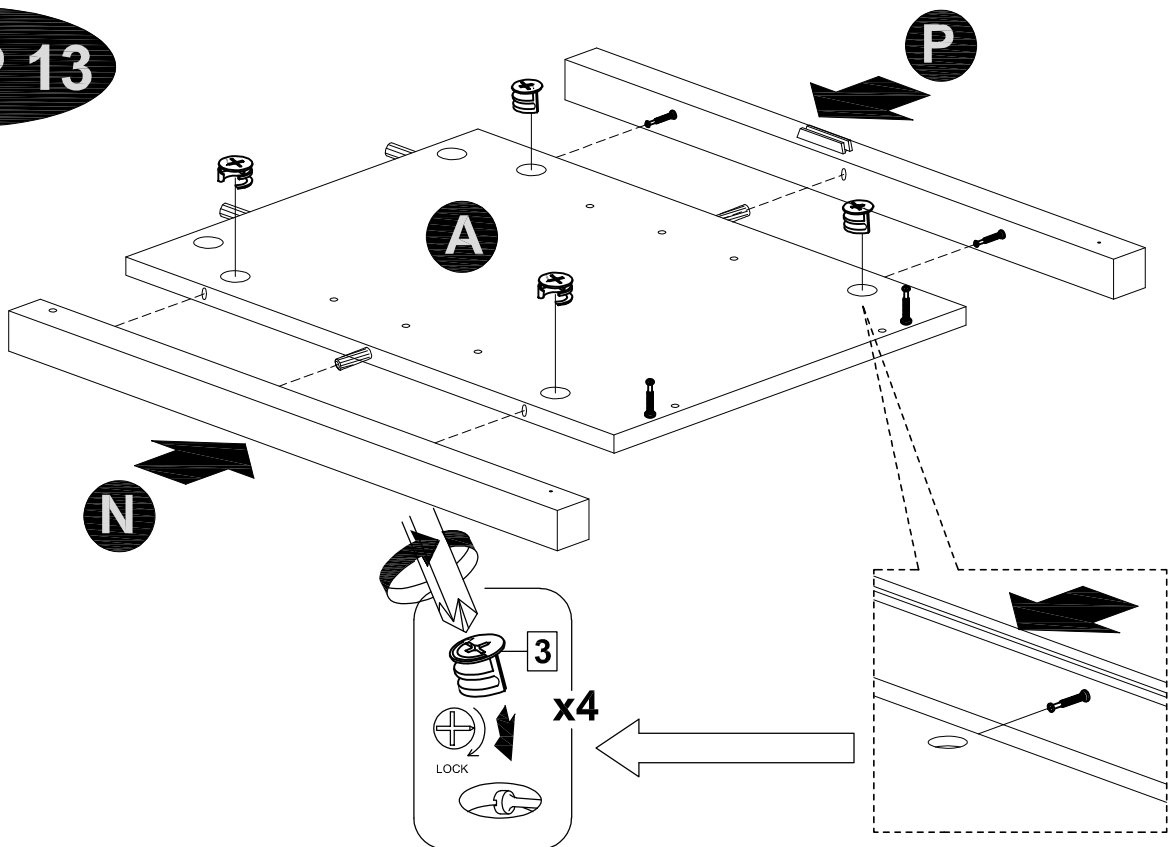
ET 4015-01

STEP 12



(x2)

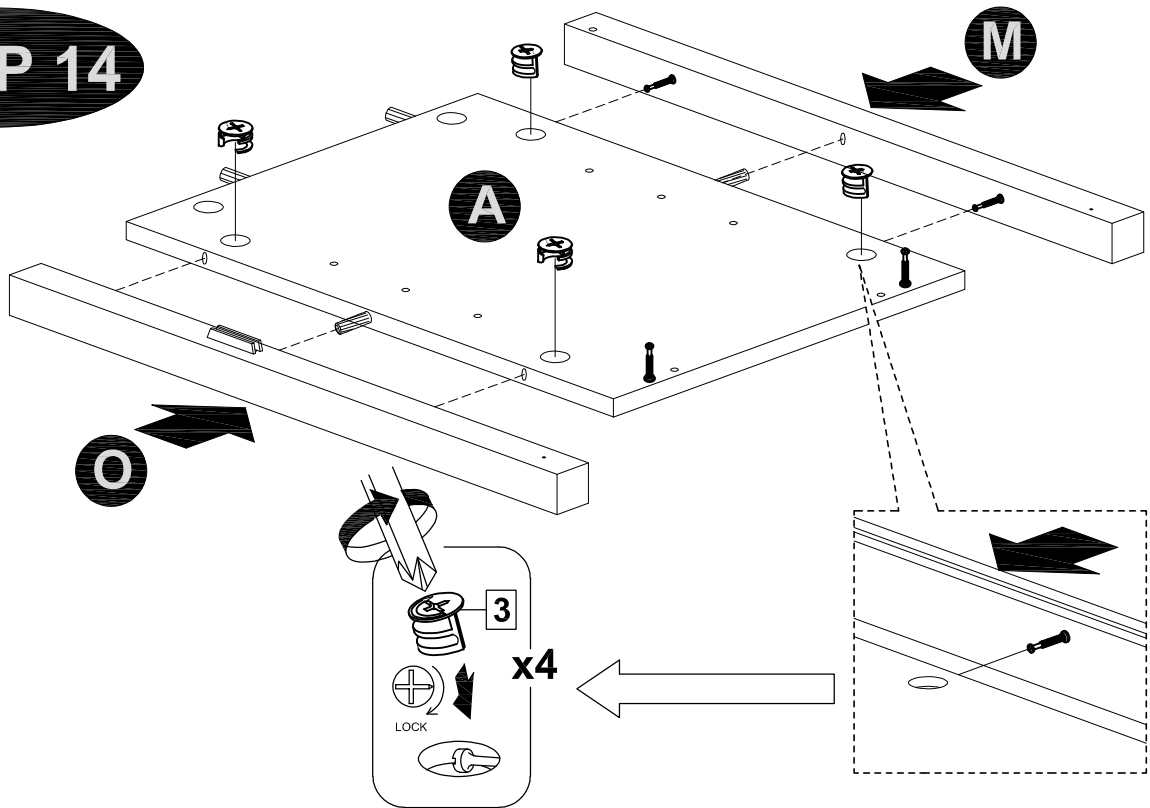
STEP 13



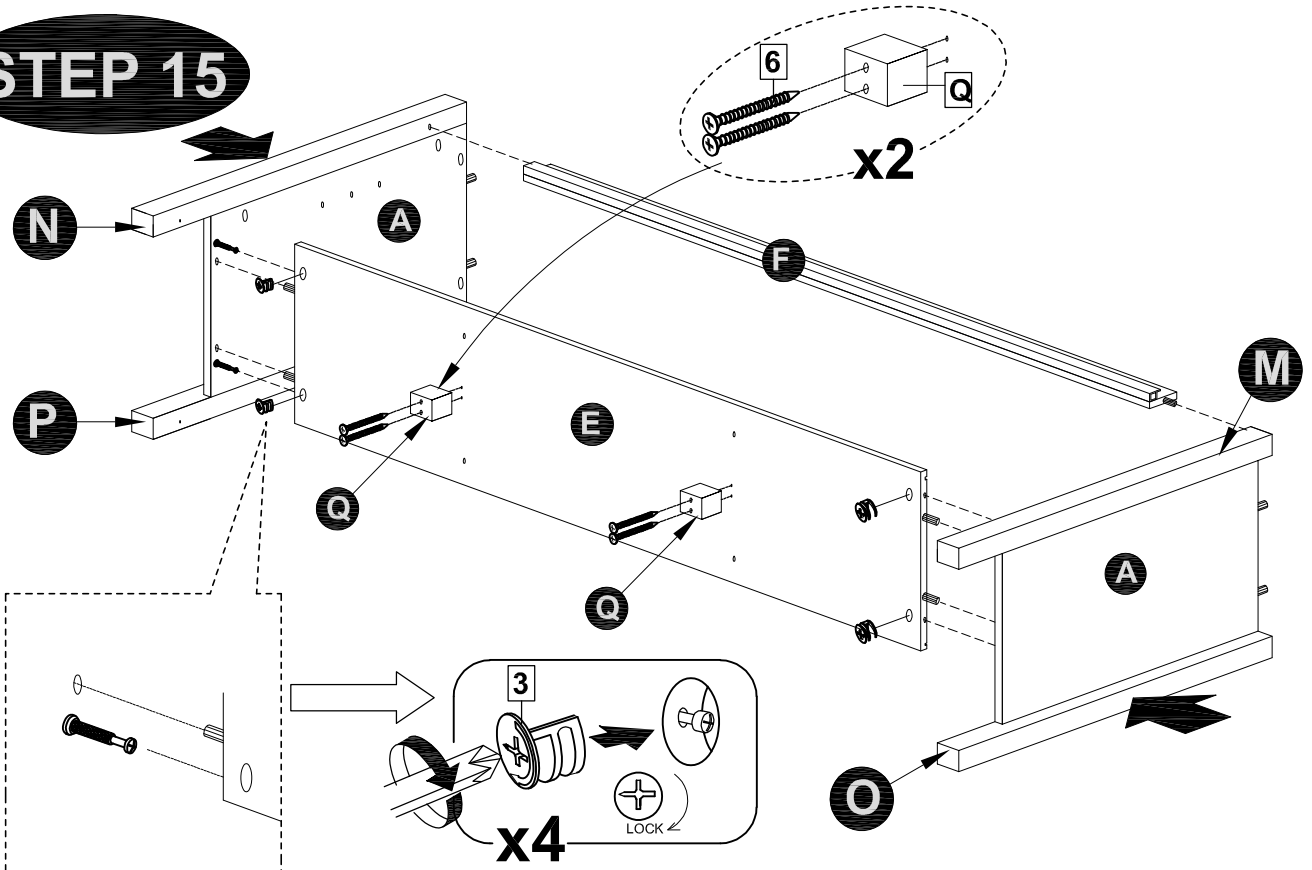
MODEL NAME:

ET 4015-01

STEP 14



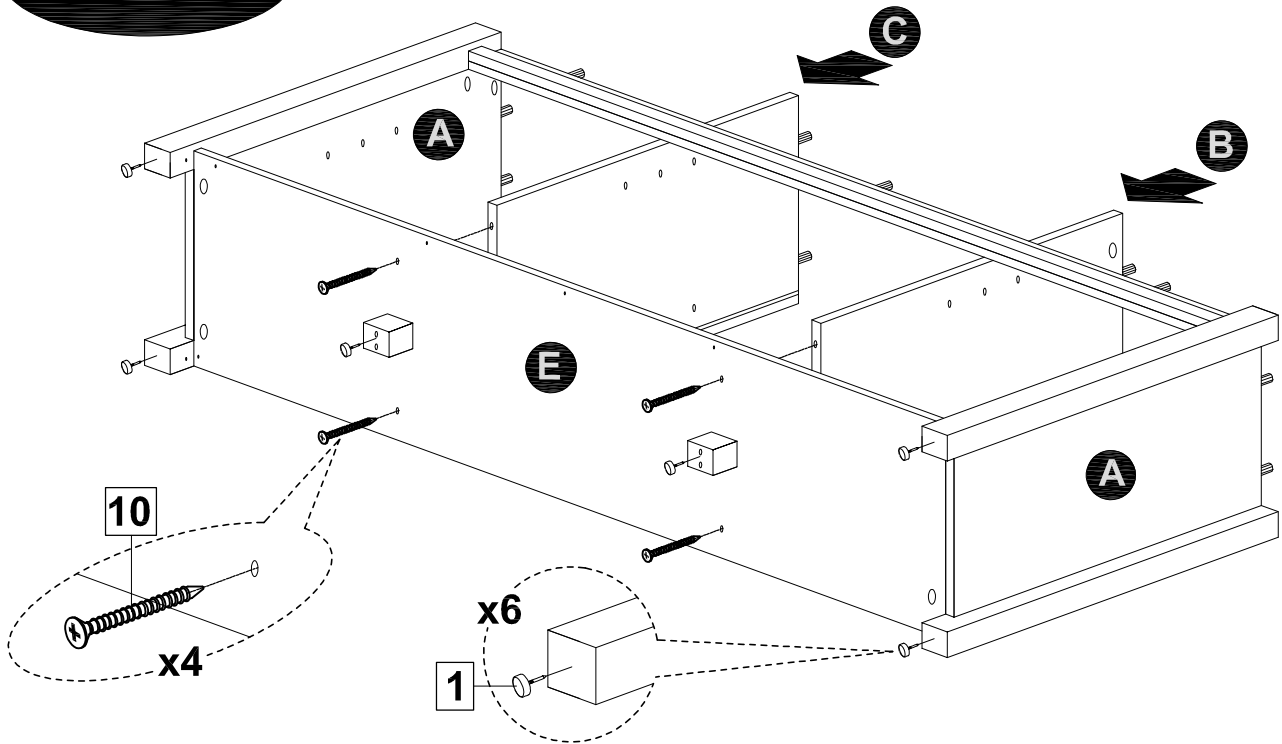
STEP 15



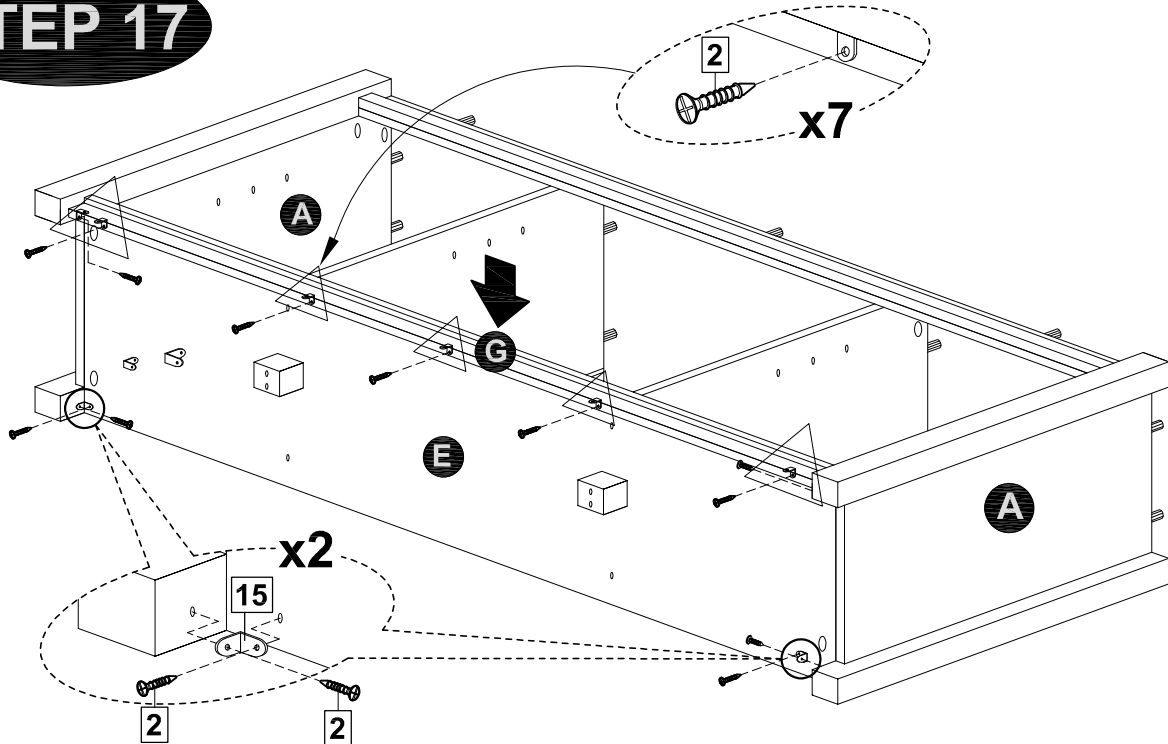
MODEL NAME:

ET 4015-01

STEP 16



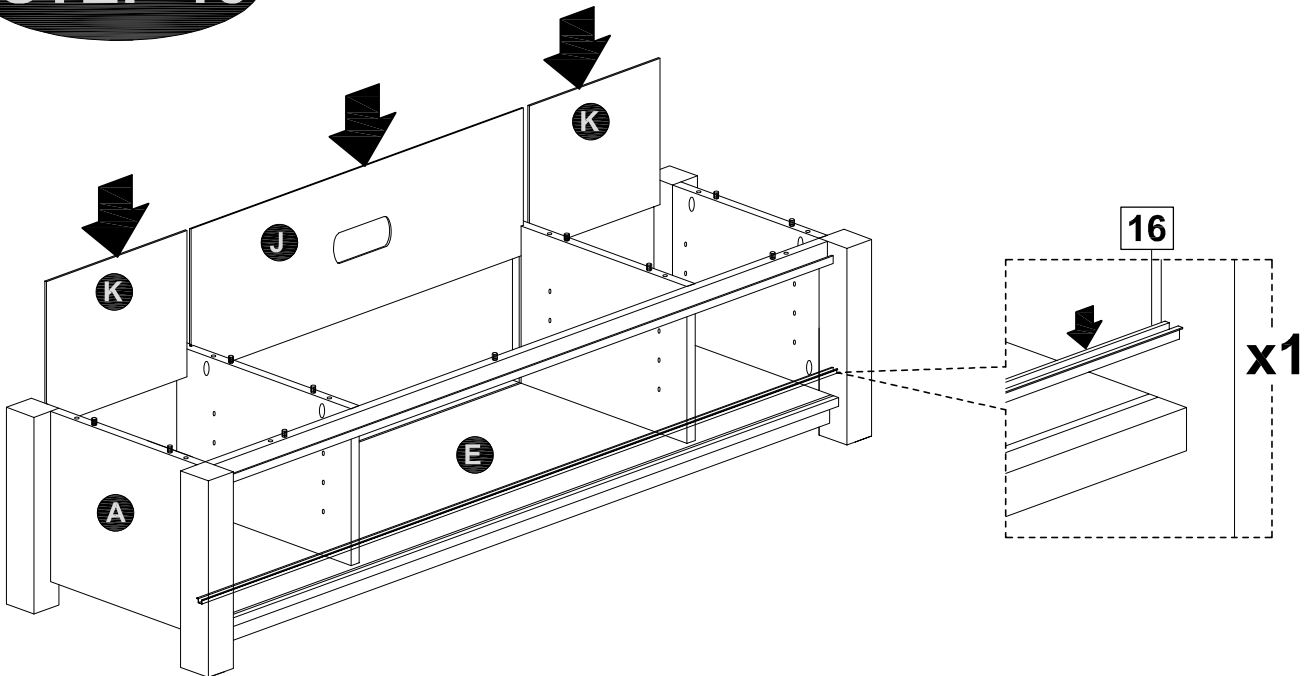
STEP 17



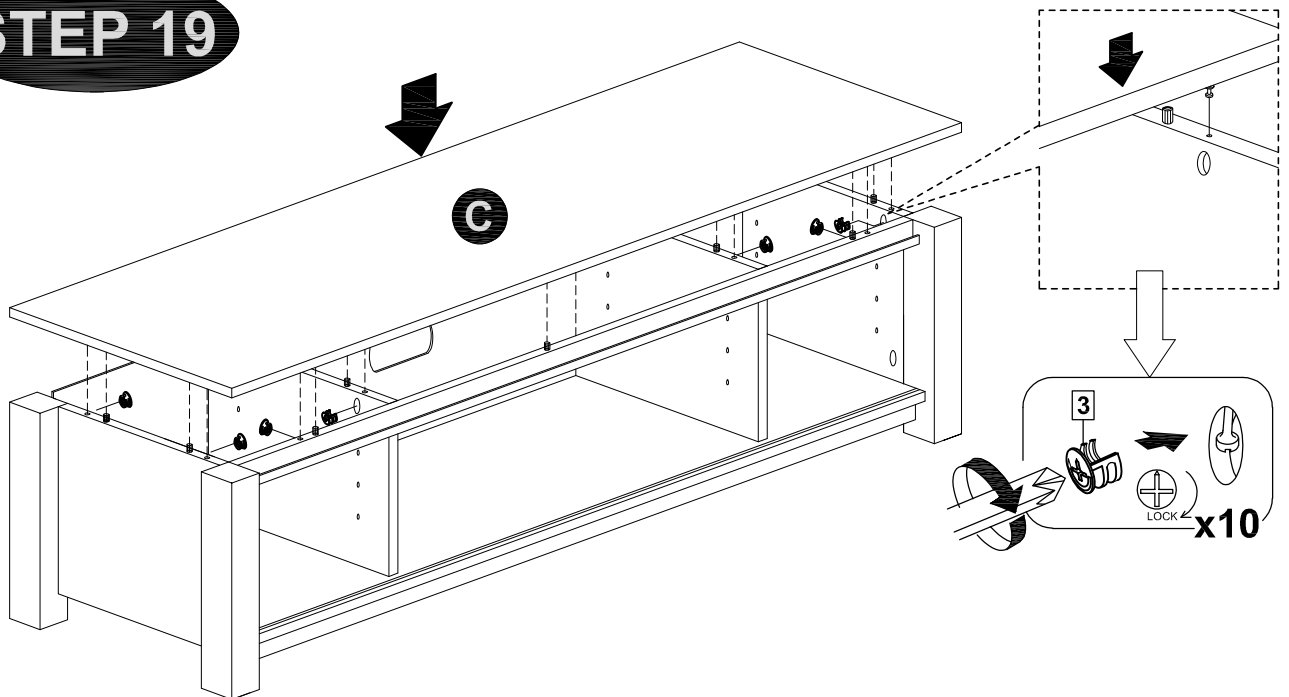
MODEL NAME:

ET 4015-01

STEP 18



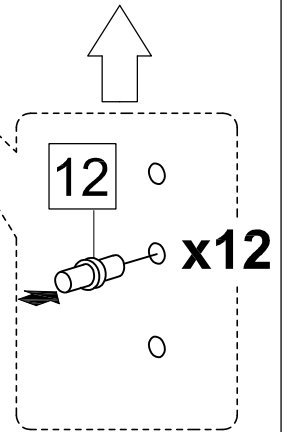
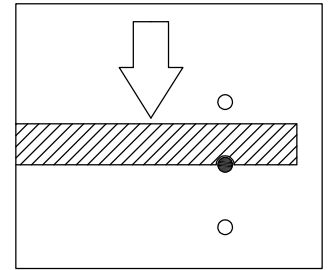
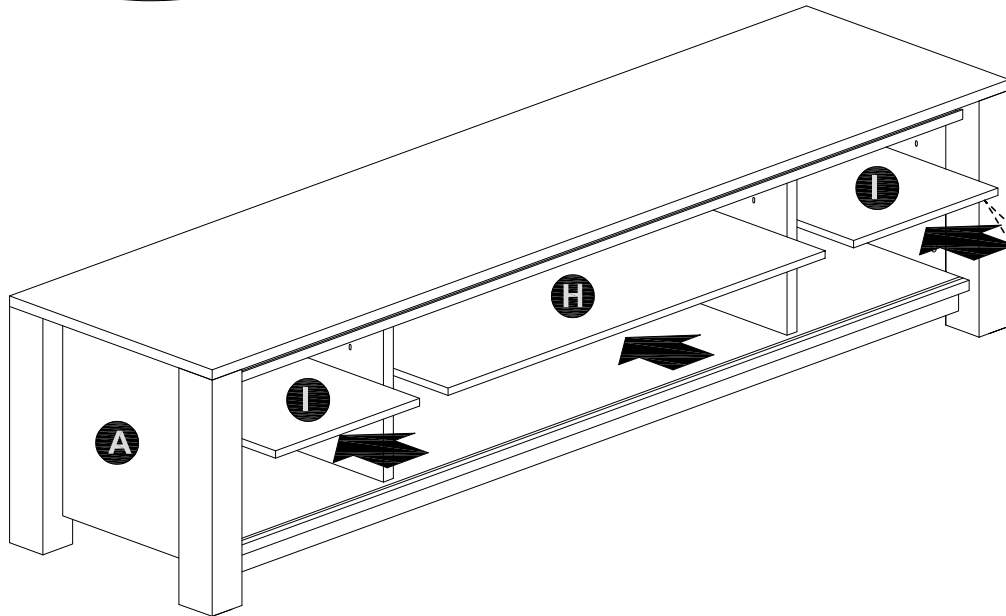
STEP 19



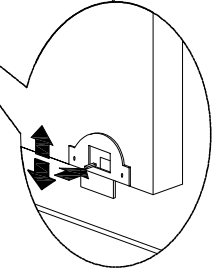
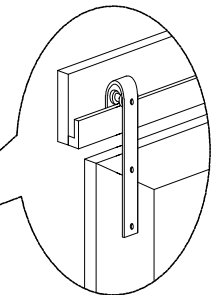
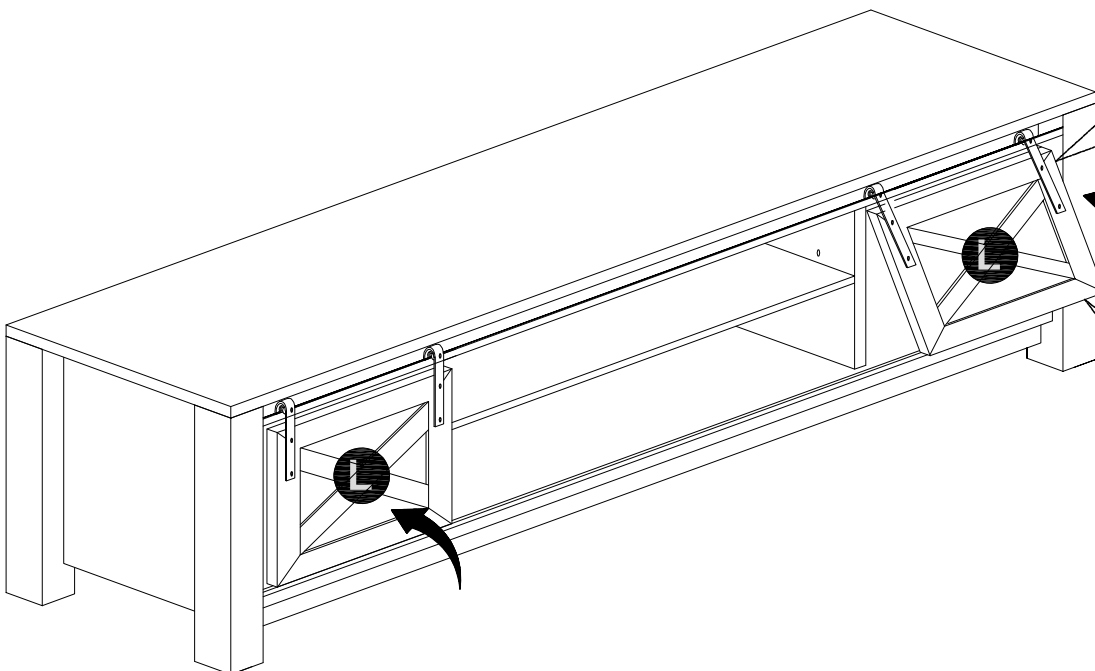
MODEL NAME:

ET 4015-01

STEP 20



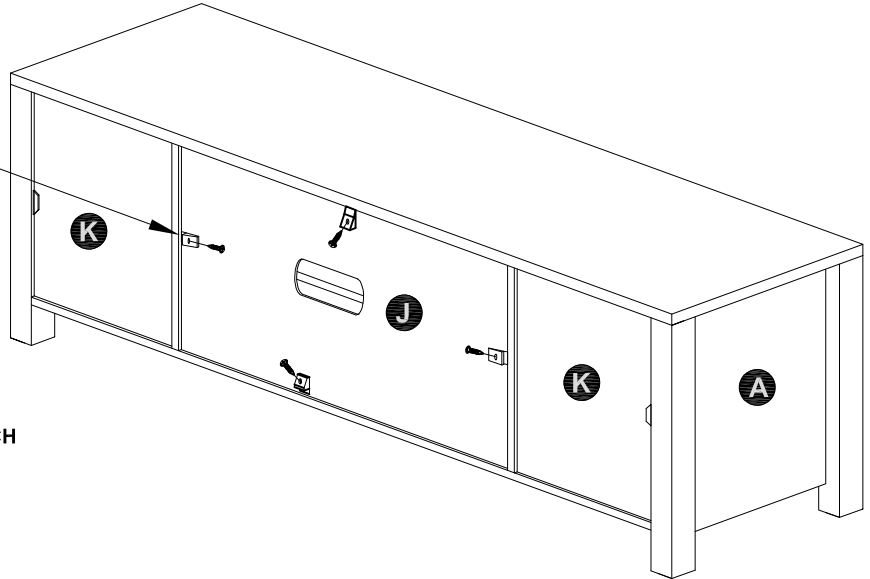
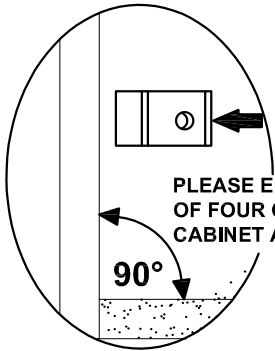
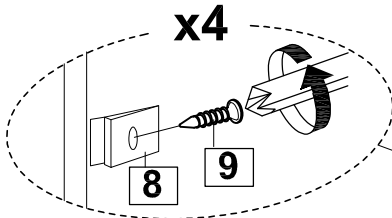
STEP 21



MODEL NAME:

ET 4015-01

STEP 22



STEP 23

