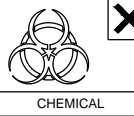
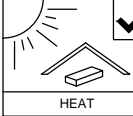




SOFT, DRY CLOTH



CHEMICAL



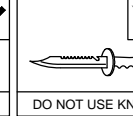
HEAT



KEEP DRY



HANDLE WITH CARE



DO NOT USE KNIFE

# ASSEMBLY INSTRUCTION

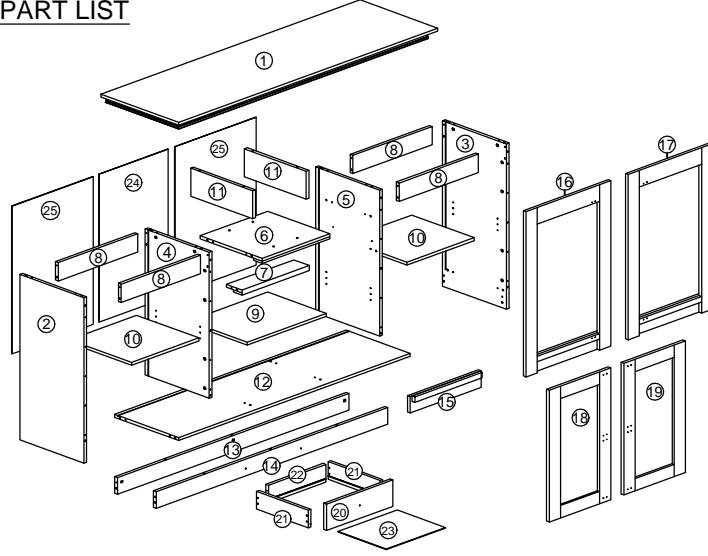
MODEL : BH-001

DESCRIPTION : BUFFET

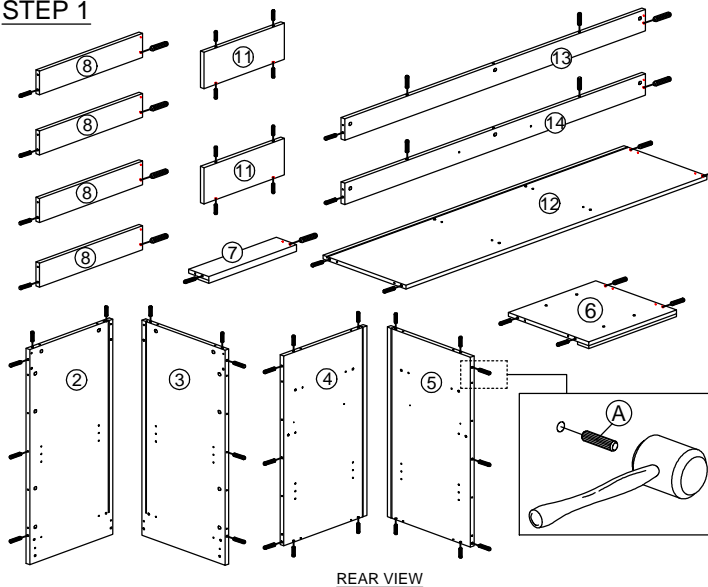
HARDWARE

<b>A</b> WOOD DOWEL M8 X 25MM 58	<b>B</b> B1 B2 B3 MINIFIX 5654+5546 QUICKFIT CAP 48 SETS	<b>C</b> 16MM CB SCREW M3.5X16MM 60	<b>D</b> 28MM CB SCREW M4X28MM 2	<b>E</b> 38MM CB SCREW M4X38MM 8	<b>F</b> ALLEN KEY M4 1	<b>G</b> G1 HANDLE 3A 1	<b>G2</b> 35MM HANDLE SCREW M4X35MM 1	<b>H</b> PVC NAIL WITH PIN 5/8 8	<b>I</b> SHELF SUPPORT 12	<b>J</b> CORNER HINGES 4	<b>K</b> K1 K2 K3 K4 K5 K6 HANDLE DOOR 2 SETS	<b>L</b> PVC CORNER L BRACKET 4	<b>M</b> CSK CAP WOOD M6X50MM 4	<b>N</b> N1 N2 DRAWER SLIDE 12" 1 SET
---	--	---	--	--	----------------------------------	-------------------------------------	---	---	------------------------------------	-----------------------------------	--	--	---	--

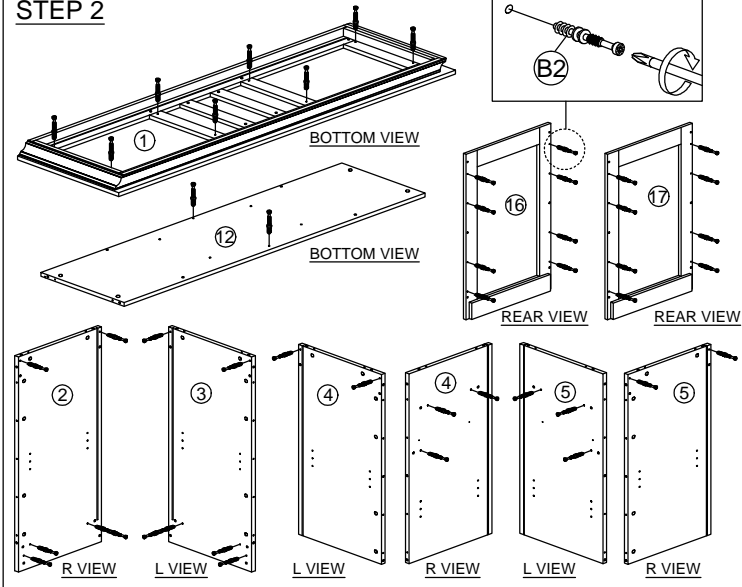
## PART LIST



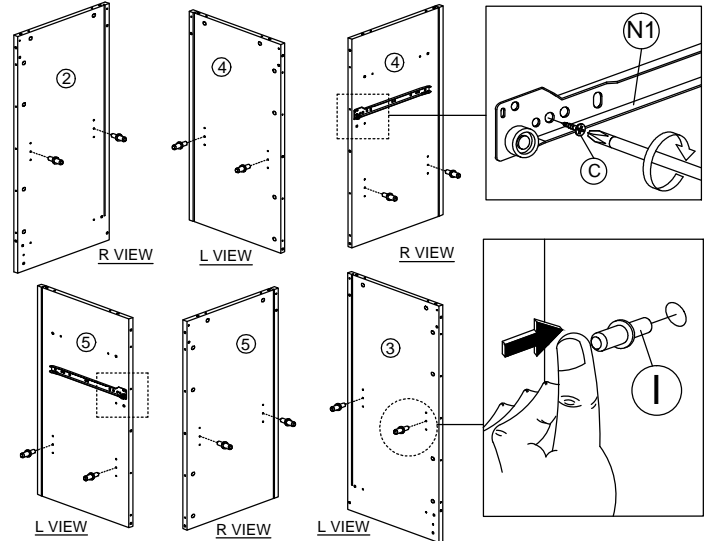
## STEP 1



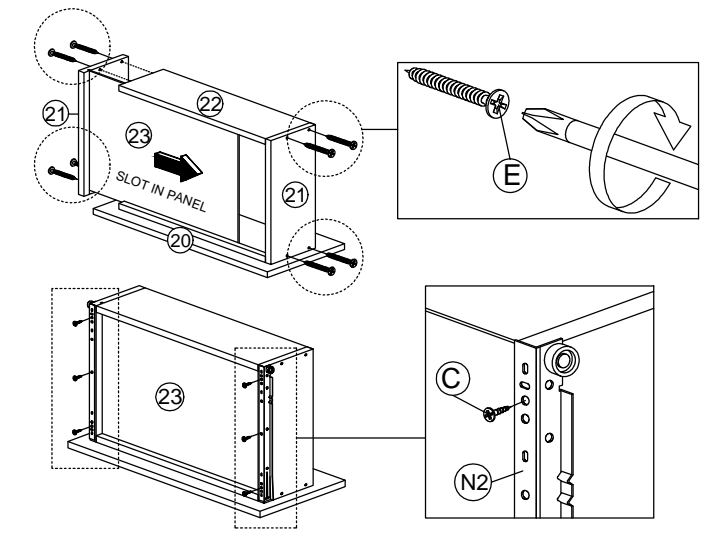
## STEP 2



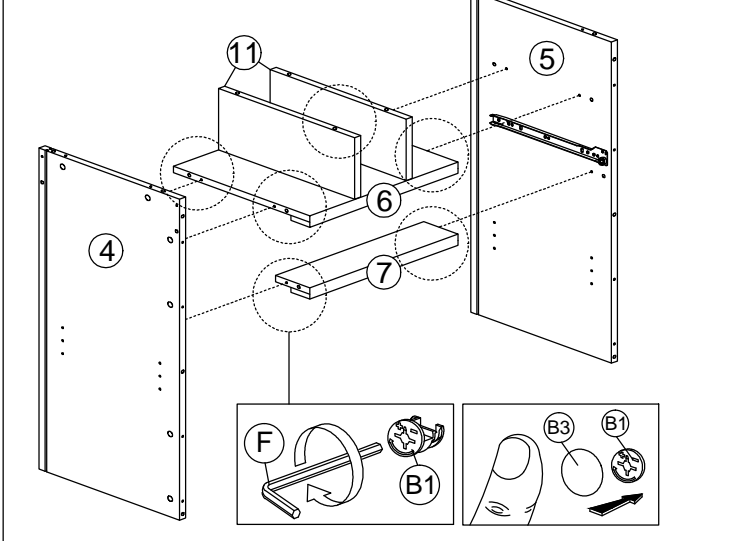
## STEP 3



## STEP 4

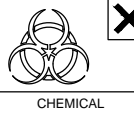


## STEP 5

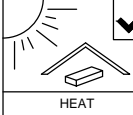




SOFT, DRY CLOTH



CHEMICAL



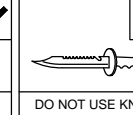
HEAT



KEEP DRY



HANDLE WITH CARE



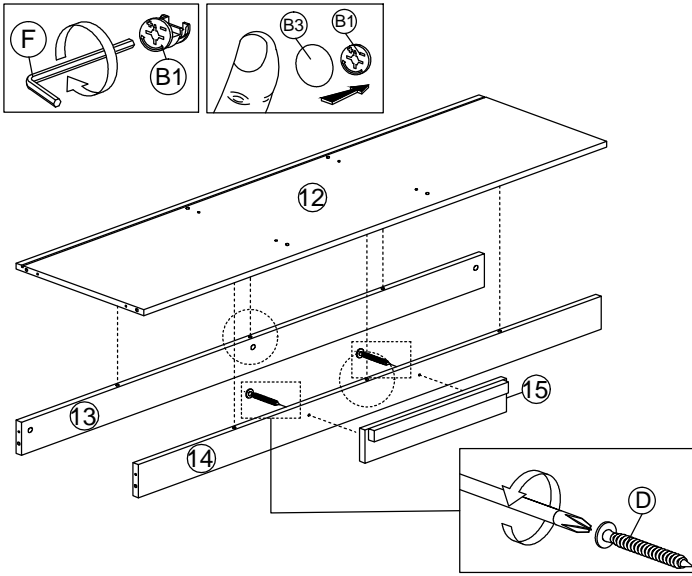
DO NOT USE KNIFE

# ASSEMBLY INSTRUCTION

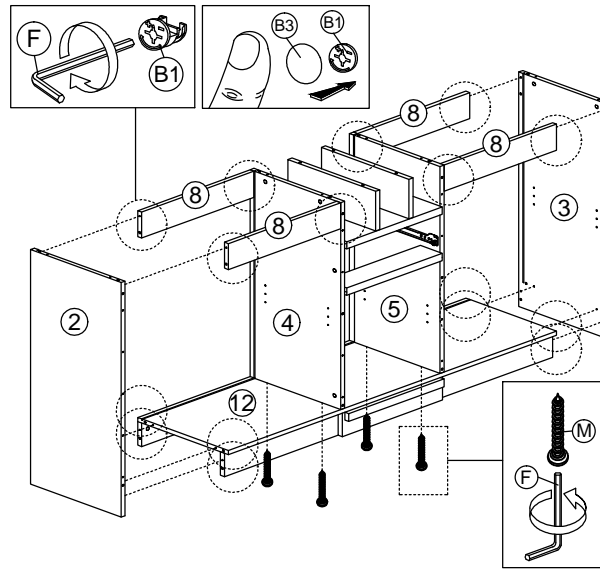
MODEL : BH-001

DESCRIPTION : BUFFET

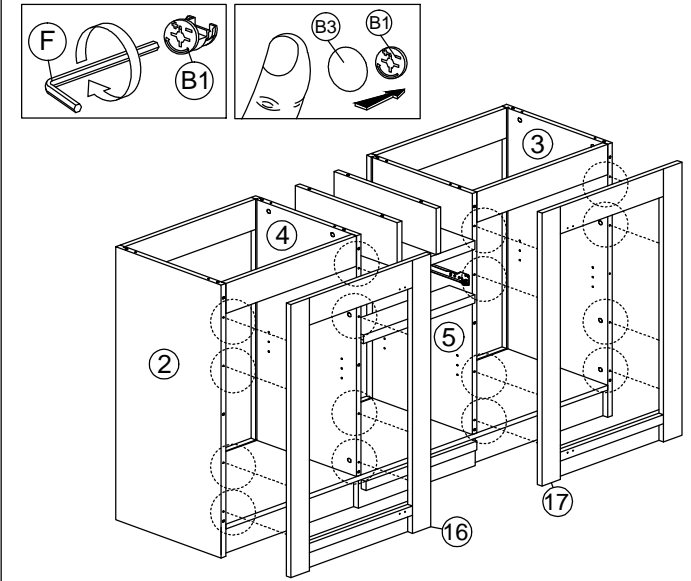
## STEP 6



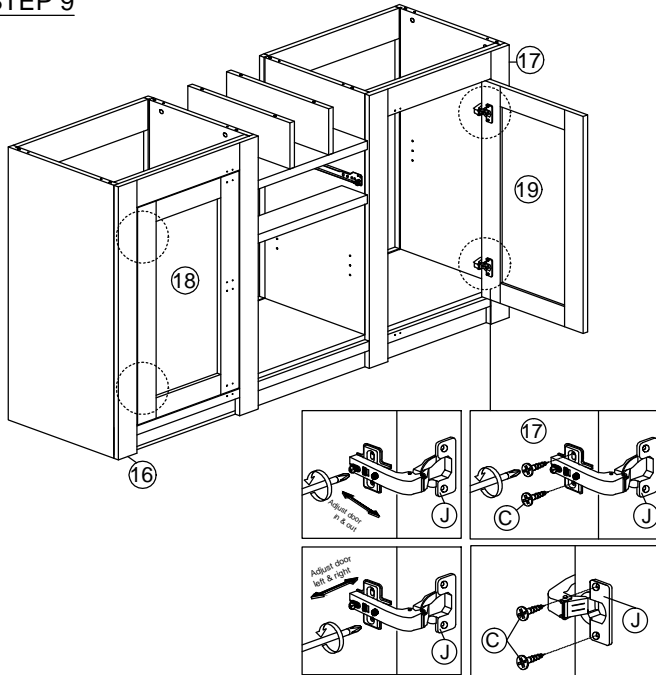
## STEP 7



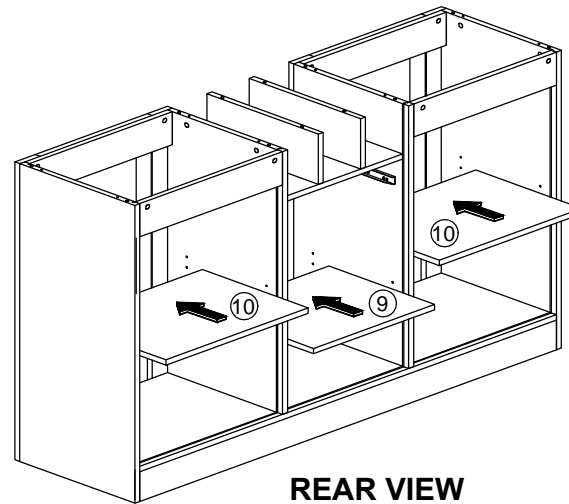
## STEP 8



## STEP 9

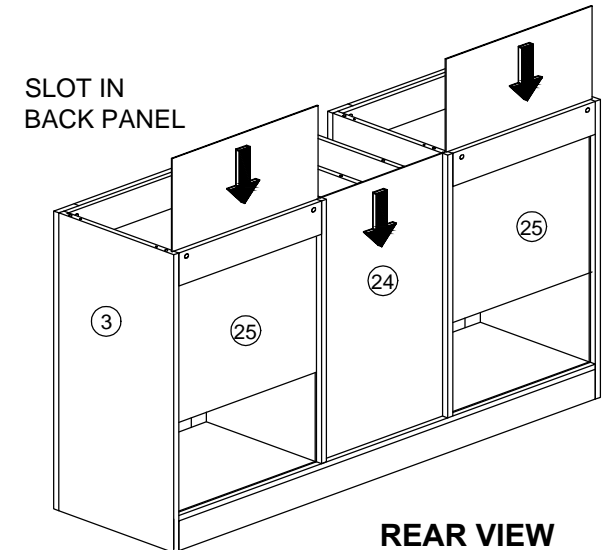


## STEP 10



**REAR VIEW**

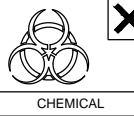
## STEP 11



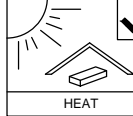
**REAR VIEW**



SOFT, DRY CLOTH



CHEMICAL



HEAT



KEEP DRY



HANDLE WITH CARE



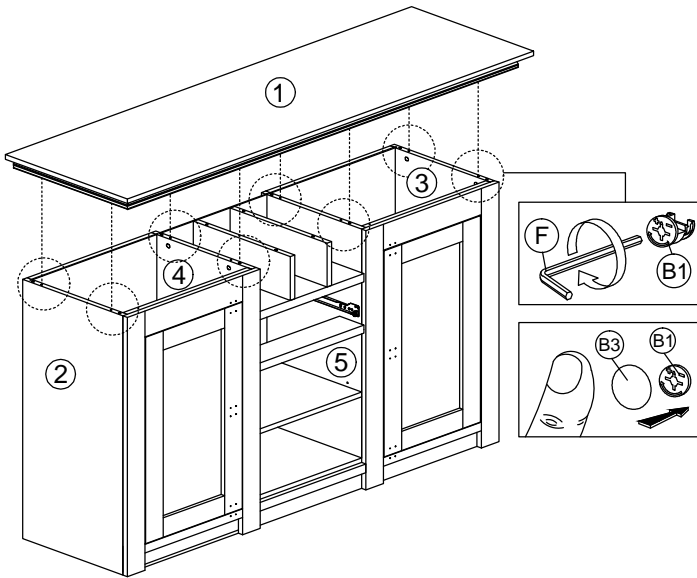
DO NOT USE KNIFE

# ASSEMBLY INSTRUCTION

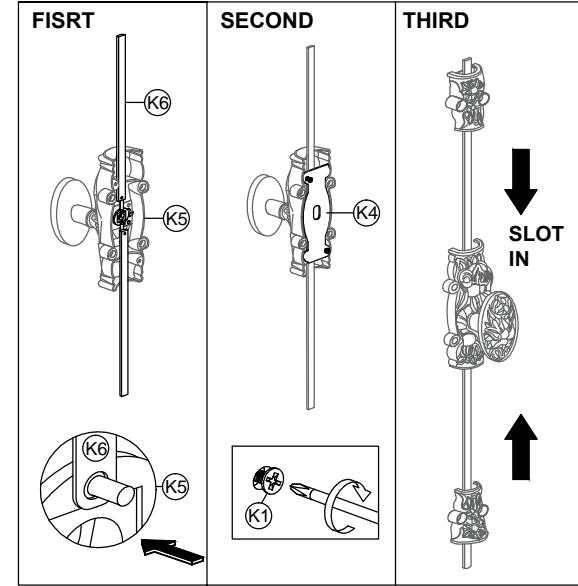
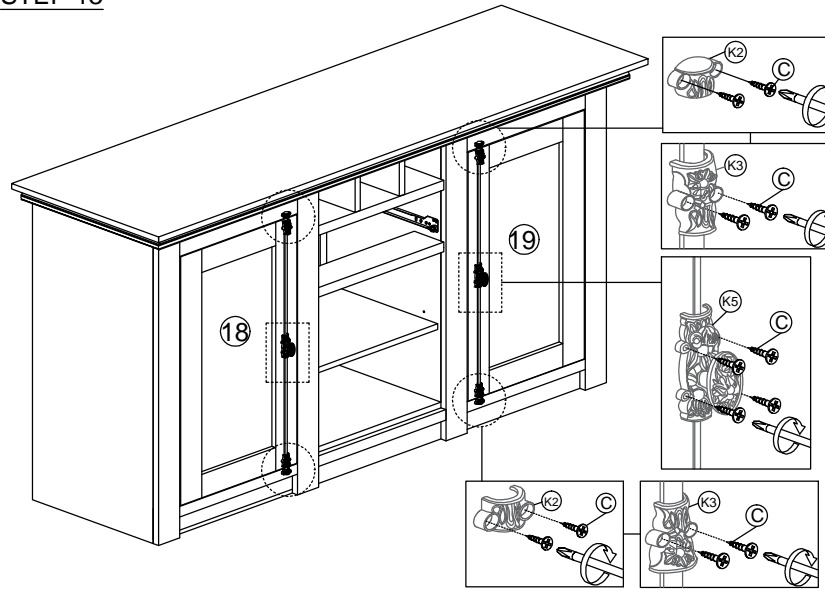
MODEL : BH-001

DESCRIPTION : BUFFET

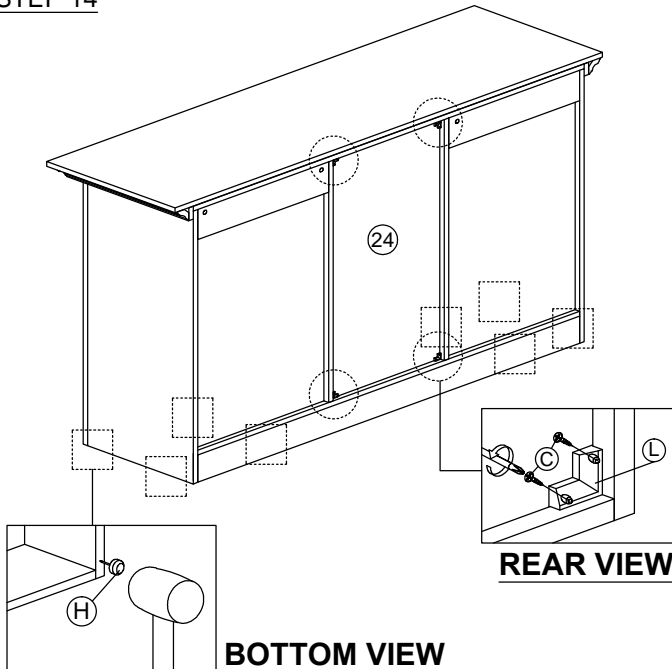
## STEP 12



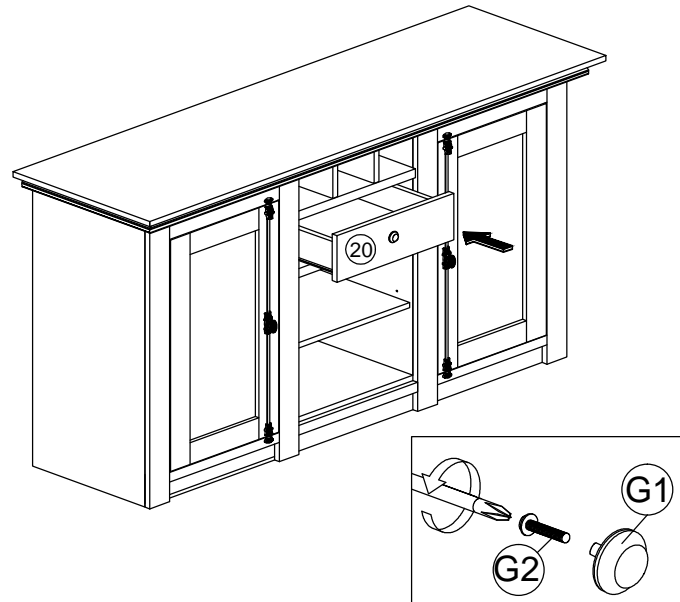
## STEP 13



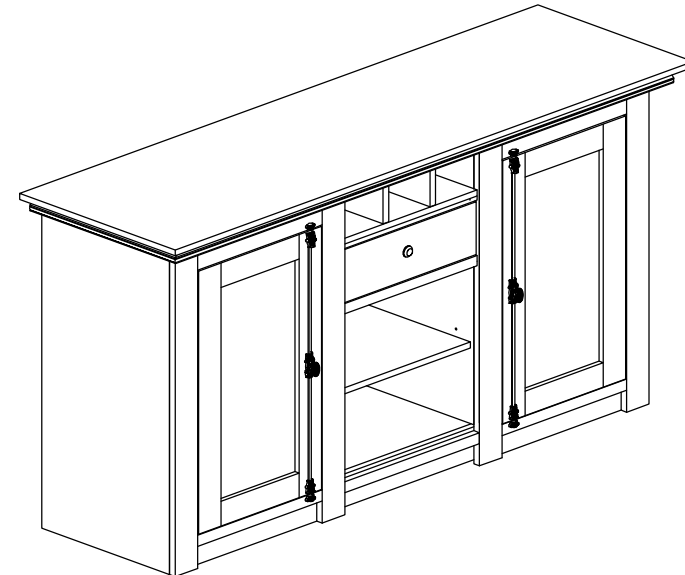
## STEP 14



## STEP 15



## COMPLETED

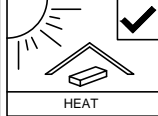




SOFT, DRY CLOTH



CHEMICAL



HEAT



KEEP DRY



HANDLE WITH CARE



DO NOT USE KNIFE

# ASSEMBLY INSTRUCTION

MODEL : BH-001

DESCRIPTION : BUFFET

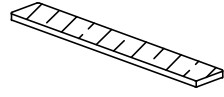
ANTI STOPPER

Z1



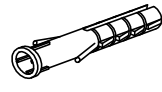
WASHER  
X4

Z2



SAFETY STRAP  
X2

Z3



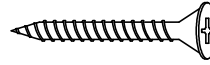
PLASTIC WALL ANCHOR-RED  
X2

Z4



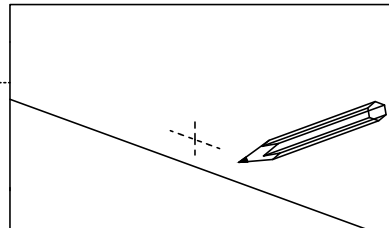
CB SCREW  
M3.5X16MM  
X2

Z5

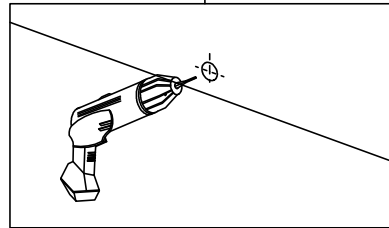


CB SCREW  
M4X38MM  
X2

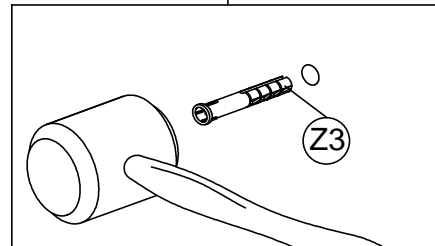
1.



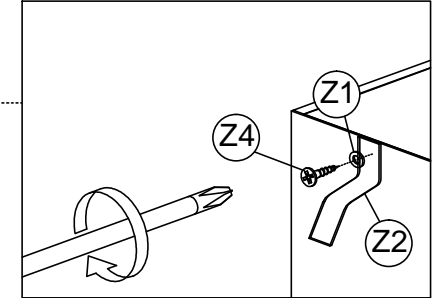
2.



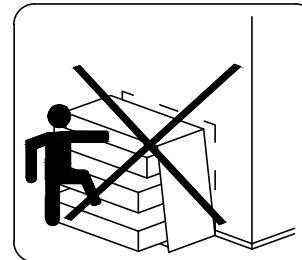
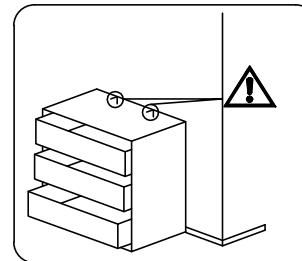
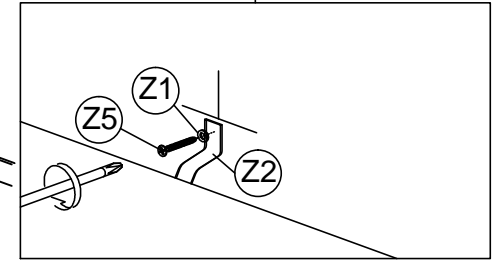
3.



4.



5.



## ⚠ WARNING

Serious or fatal crushing injuries can occur from furniture tipover. To help prevent tip-over:

- Install tip over restraint provided.
- Place heaviest items in the lower drawers.
- Unless specifically designed to accommodate, do not set TVs or other heavy object on top of this product.
- Never allow children to climb or hang on drawers, doors or shelves.
- Never open more than one drawer at a time. (OR)
- Do not defeat or remove the drawer interlock system.

Use of tipover restraints may only reduce, but not eliminate, the risk of tipover.

*This is a permanent label. Do not remove.*