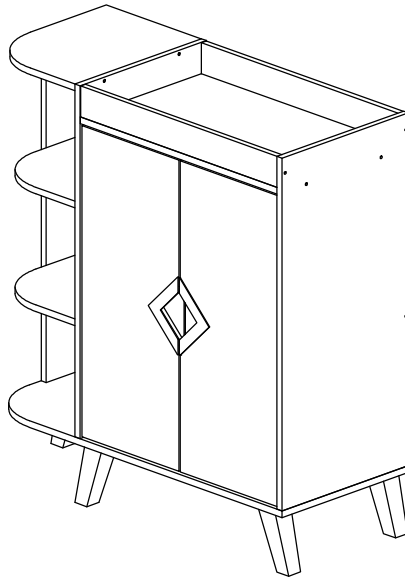
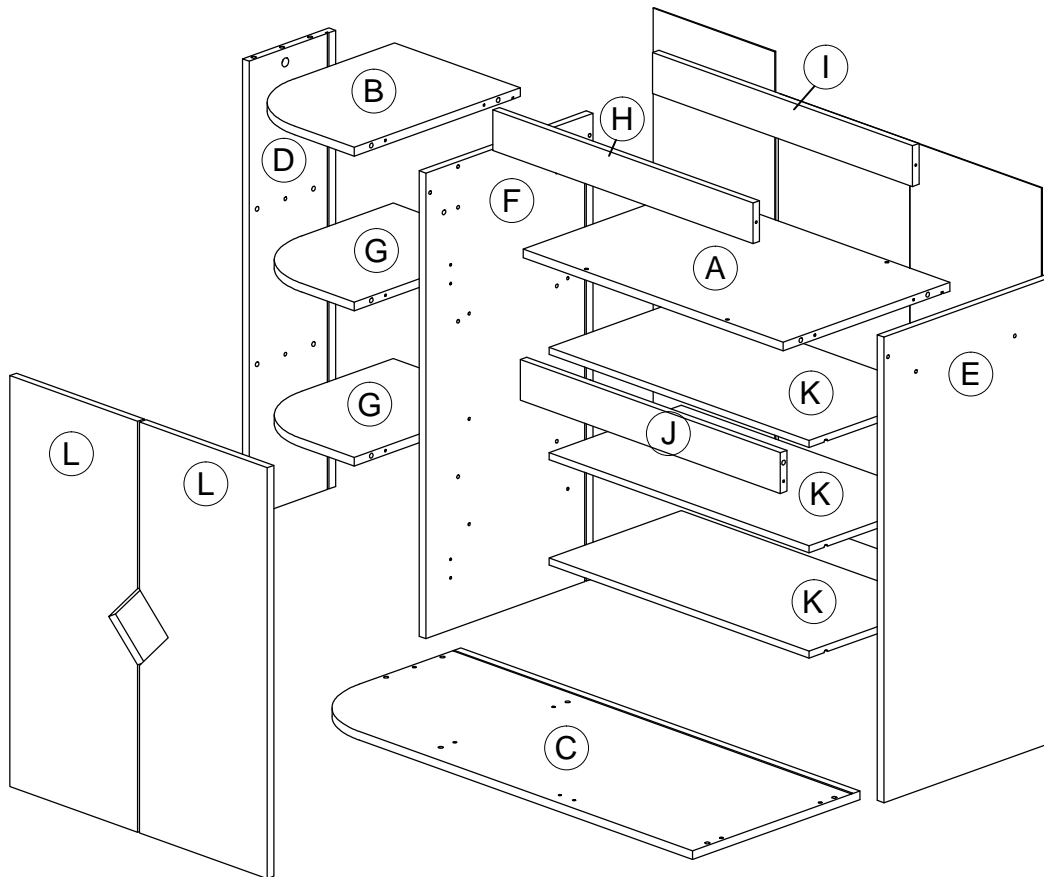


# Assembly Instruction

Model : WI10769

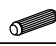
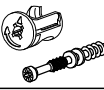
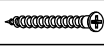



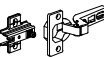
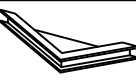







## Part List



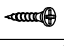
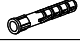
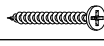


# Assembly Instruction

## Hardware List

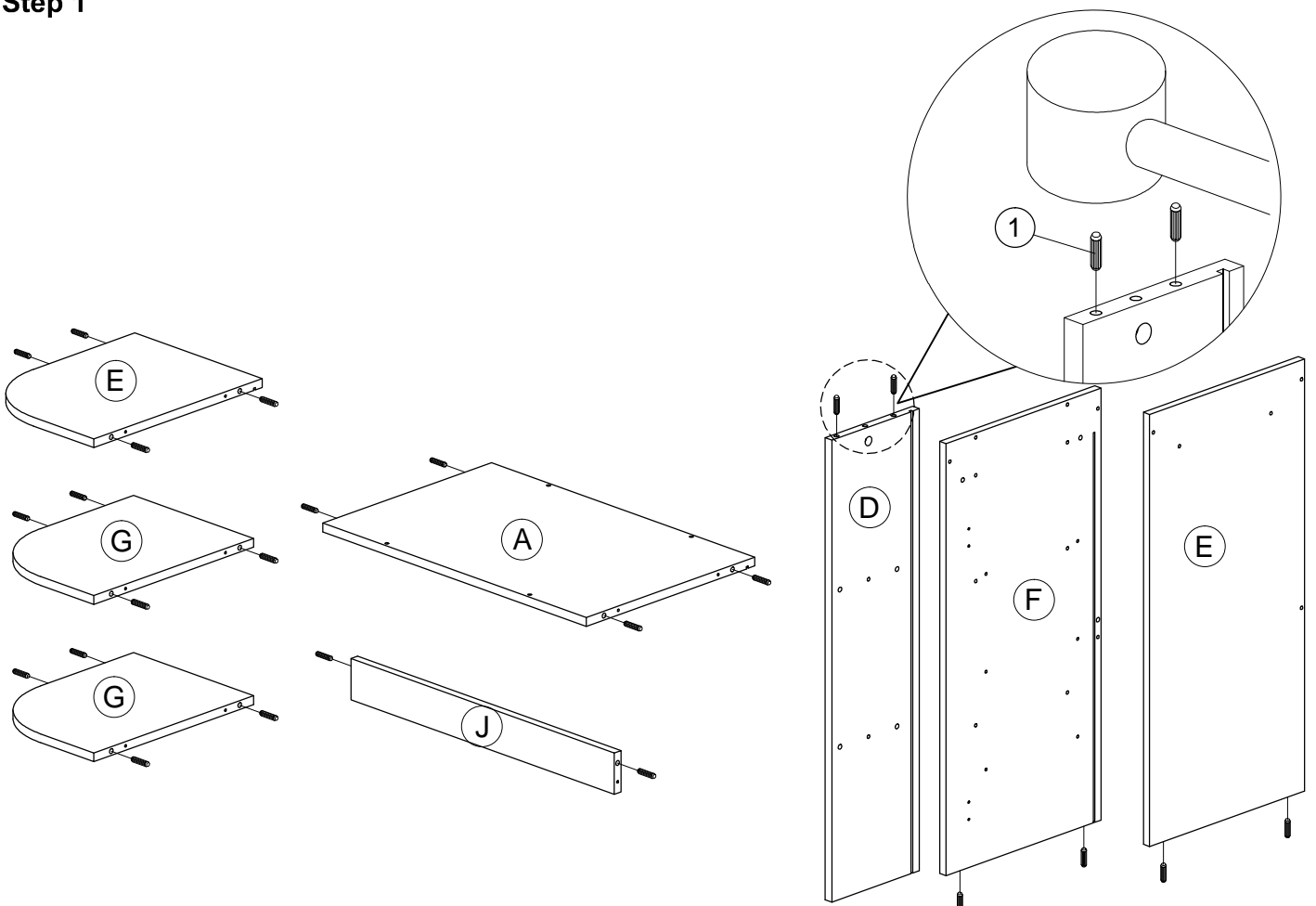
No.	SHAPE	DESCRIPTION	Qty.
1		8x25mm Wood Dowel	24Pcs
2		15MM Myfix Minifix	1Set
3		M5x40mm Screw	27Pcs
4		M3.5x16mm Screw	26Pcs
5		M3x16mm Screw	8Pcs
6		TP 10#x1/2" Screw	16Pcs
7		Hinges (F010)	4Sets
8		OS-V Handle	2Pcs
9		Z Bracket	4Pcs

10		Plastic Leg 140mm	5Pcs
11		Shelf Support	12Pcs
12		Screw Cap	12Pcs
13		Minifix Cap	1Pc
14		2 Pin Stopper	2Pcs

## Packing Tipping Restraint

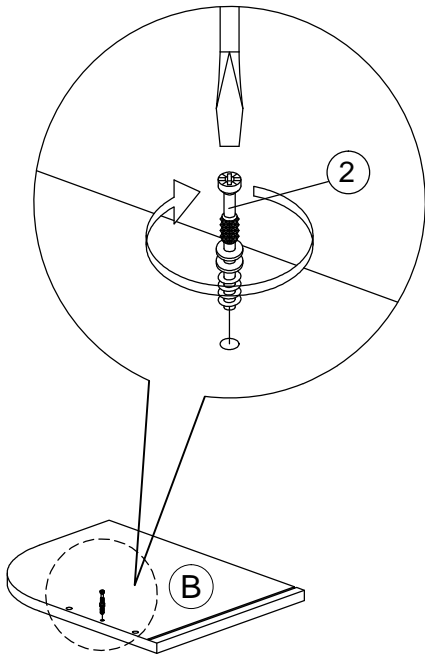
15		M3.5x15mm Screw	2Pcs
16		Wall Plug	2Pcs
17		M4x30mm Screw	2Pcs
18		Safety Strap	2Pcs
19		Flat Washer 6x19x2mm	4Pcs

## Step 1

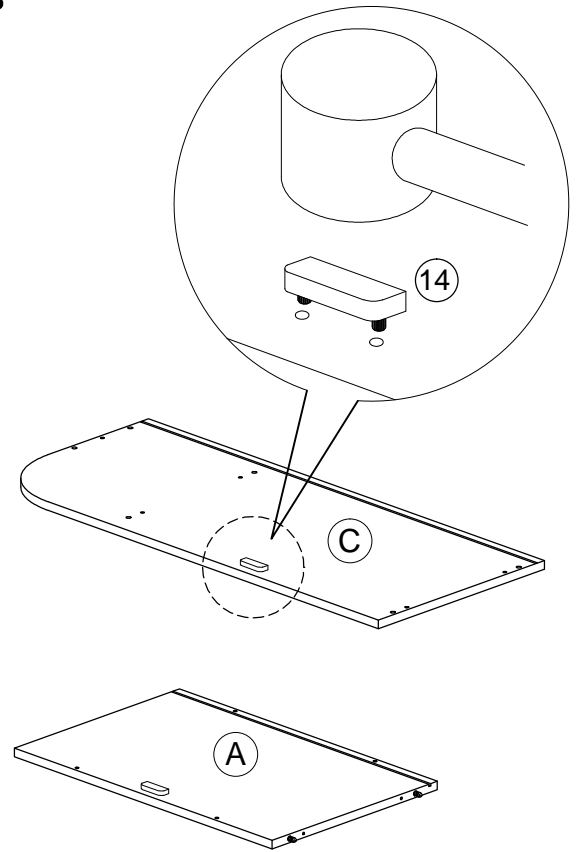


# Assembly Instruction

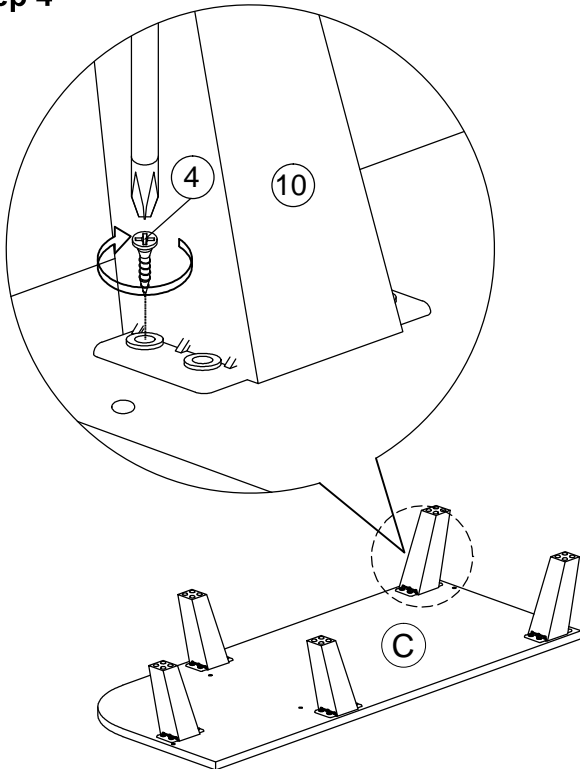
Step 2



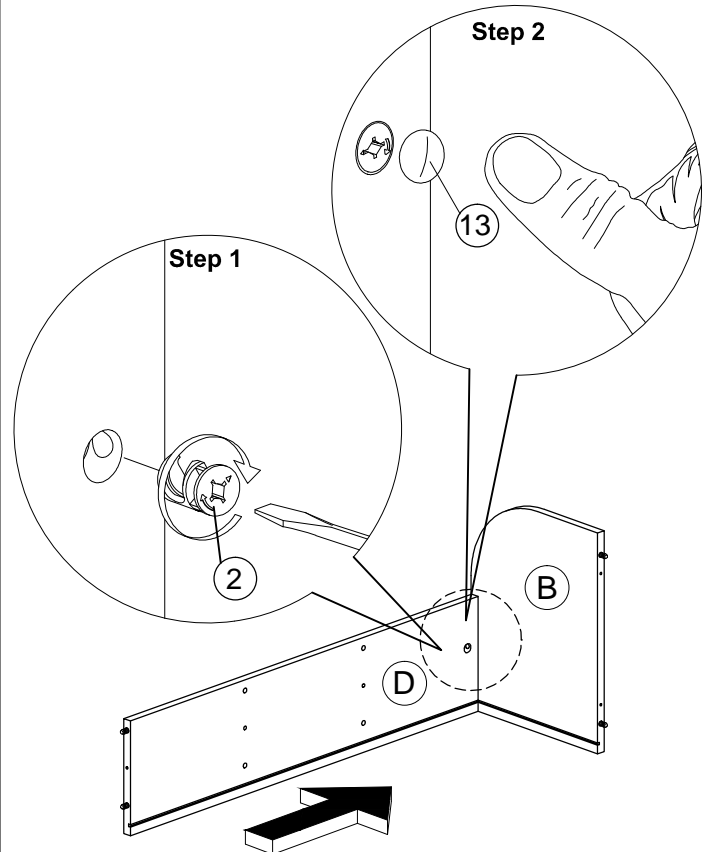
Step 3



Step 4

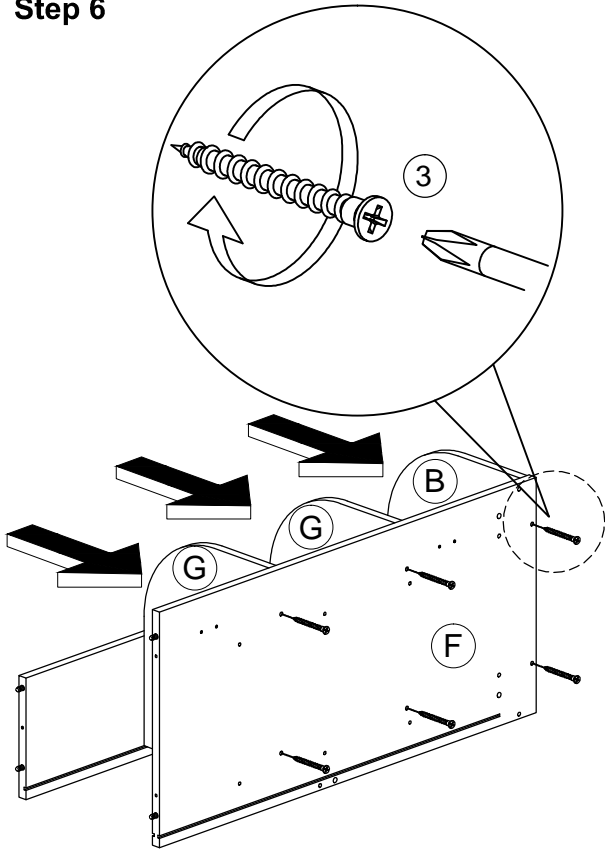


Step 5

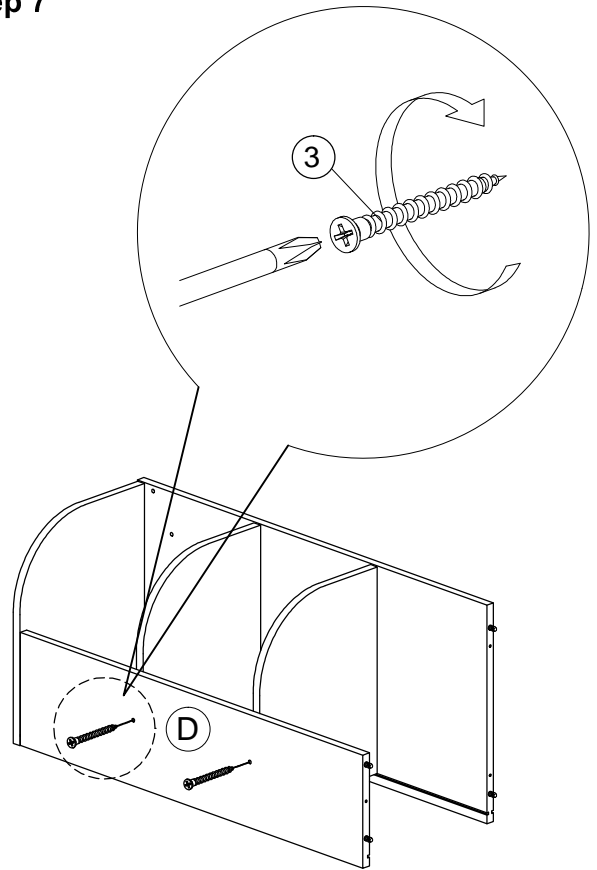


# Assembly Instruction

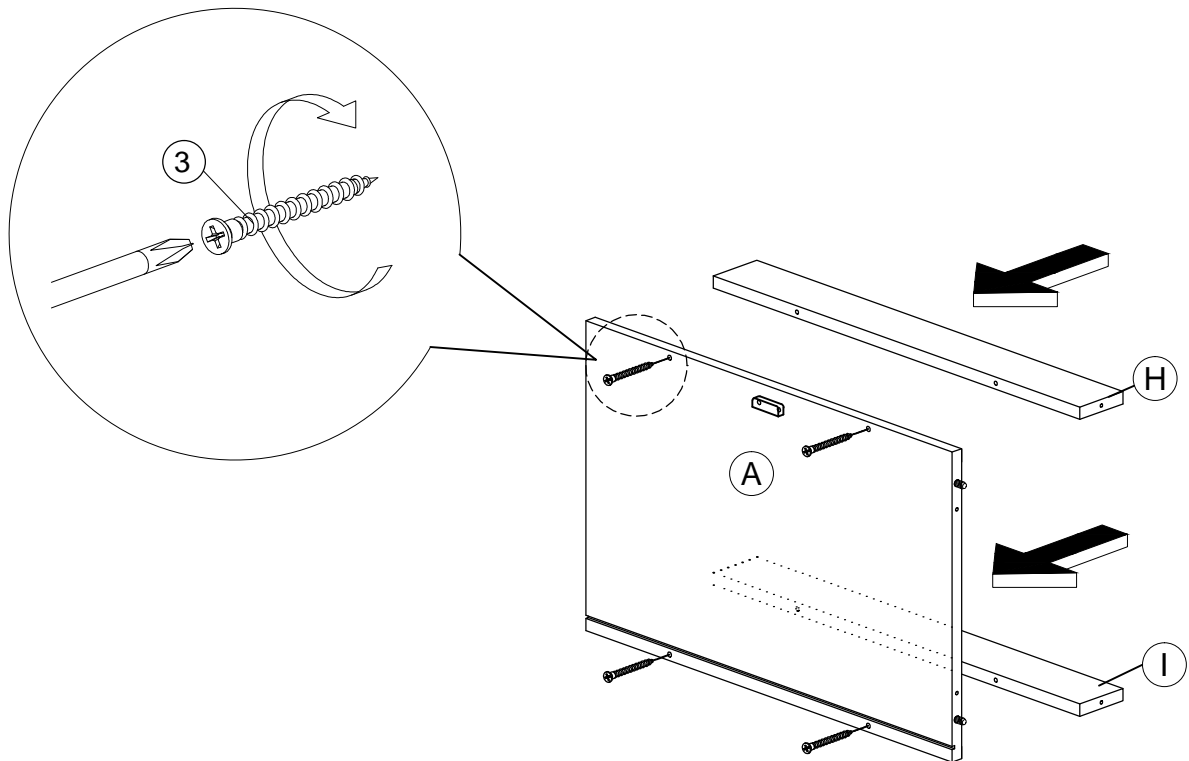
Step 6



Step 7

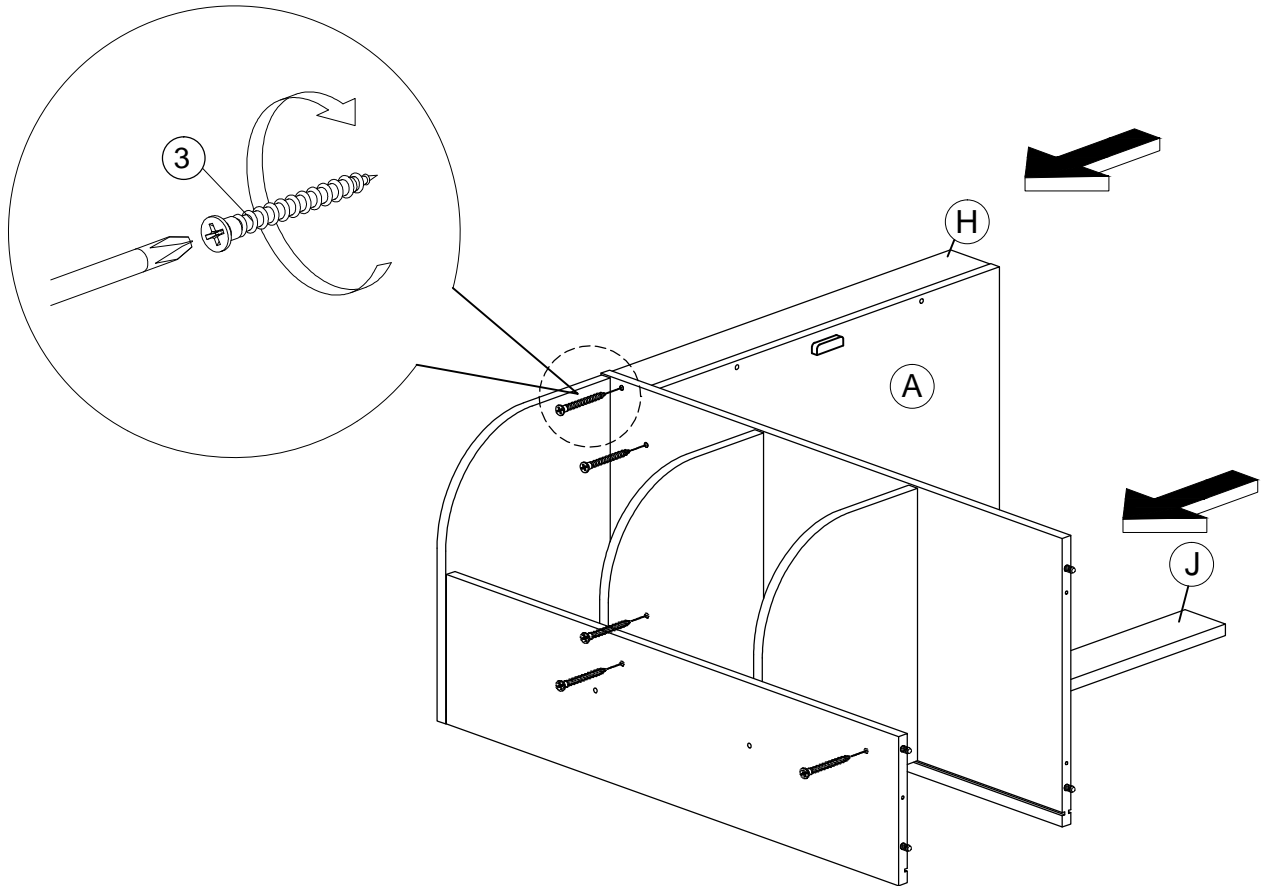


Step 8

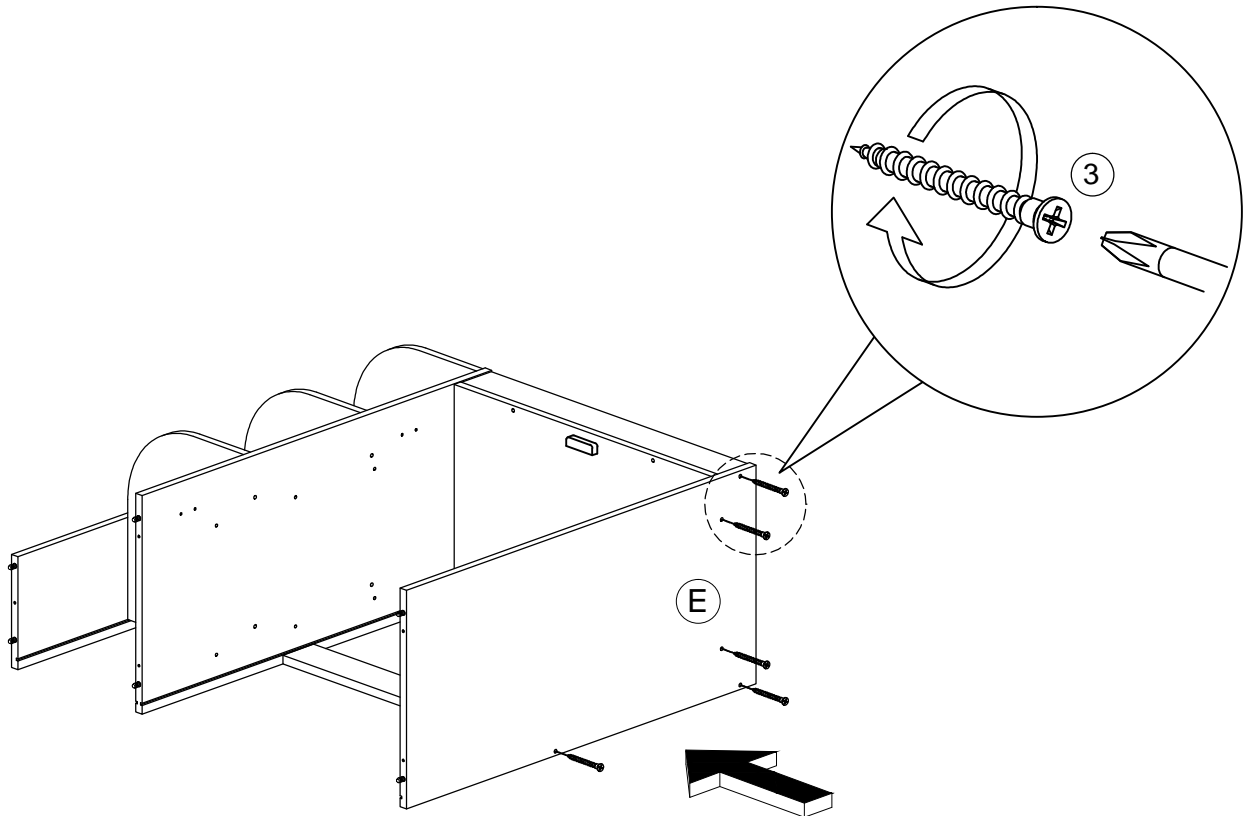


# Assembly Instruction

## Step 9

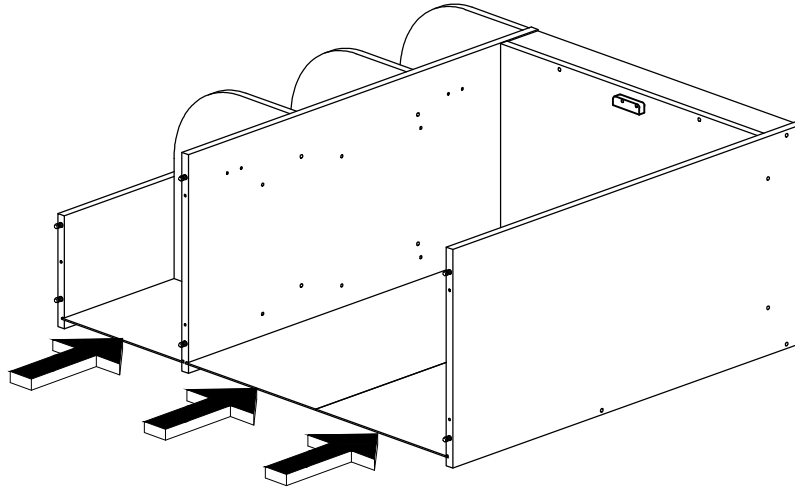


## Step 10

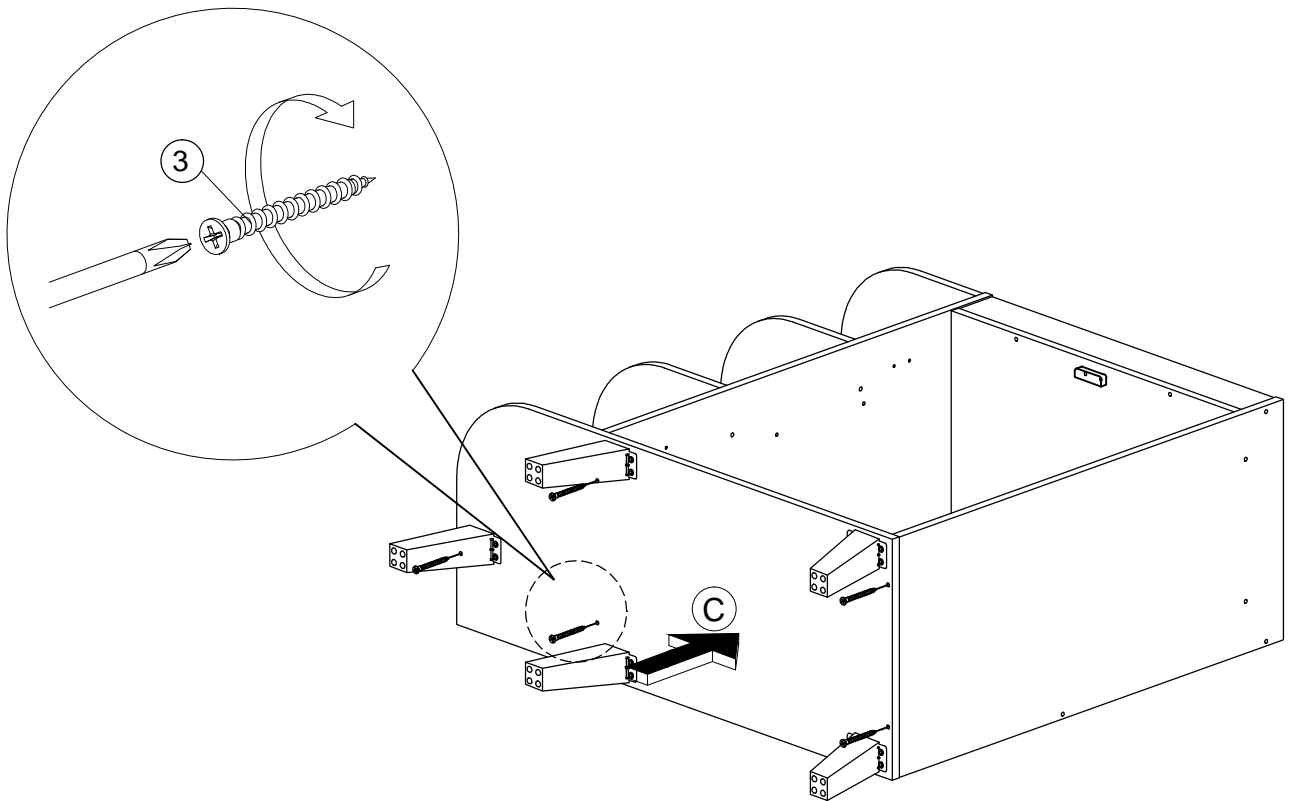


# Assembly Instruction

## Step 11

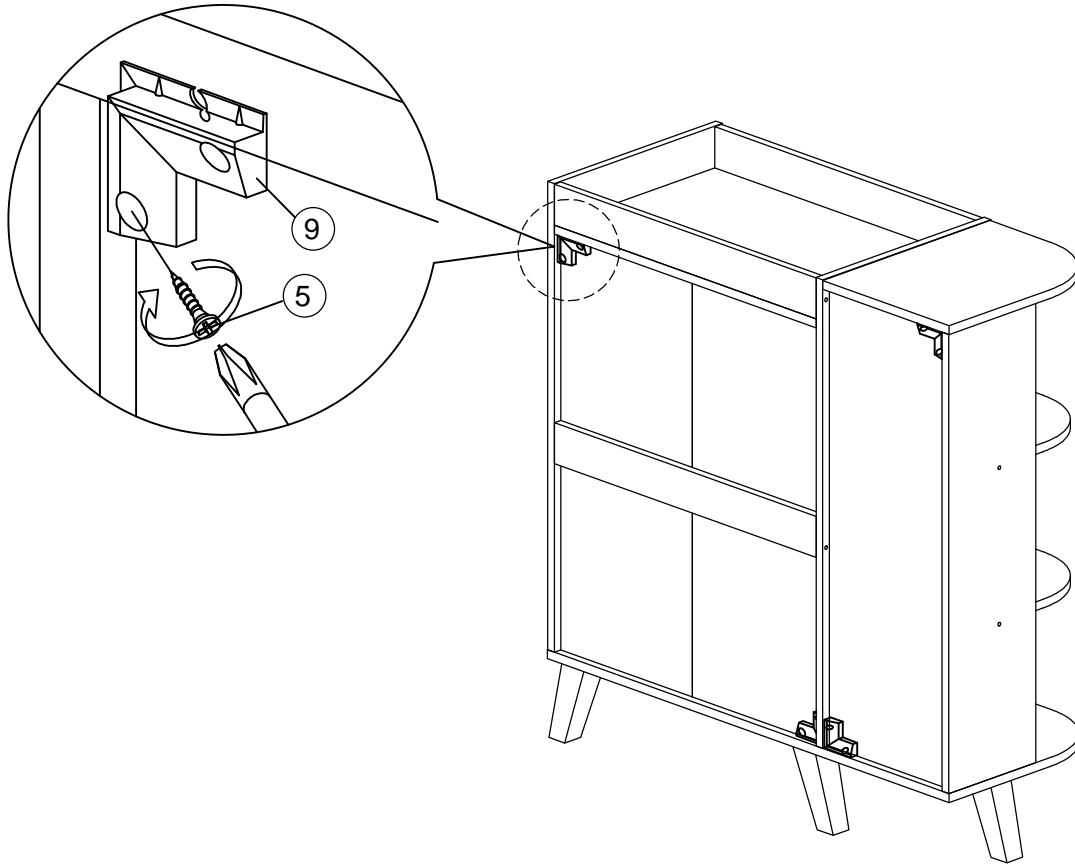


## Step 12

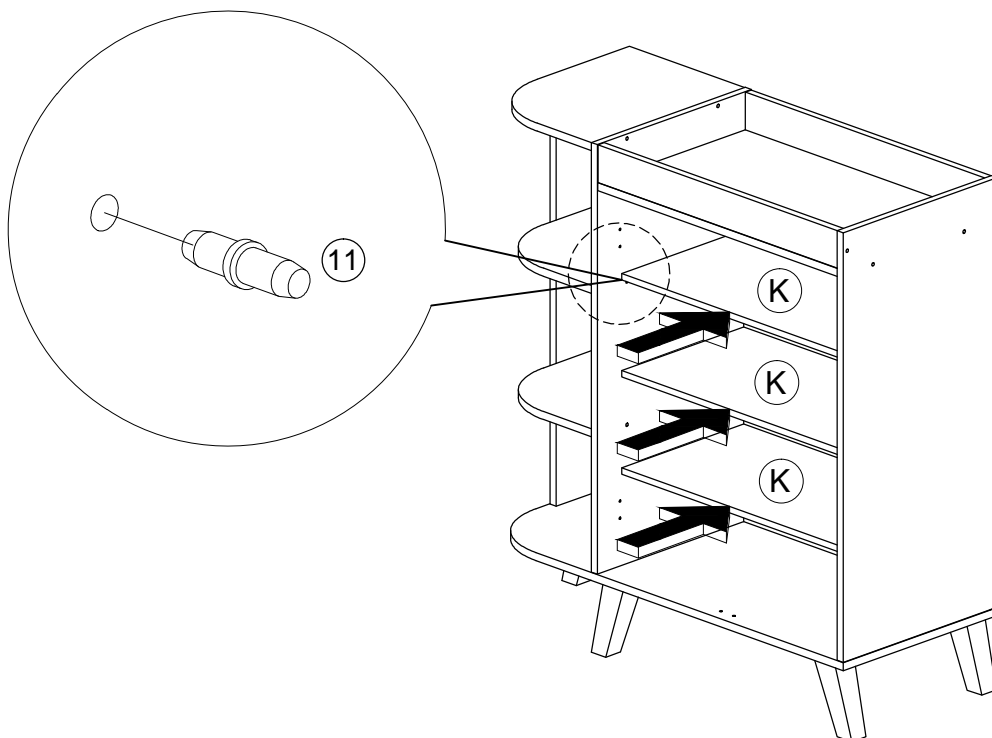


# Assembly Instruction

## Step 13

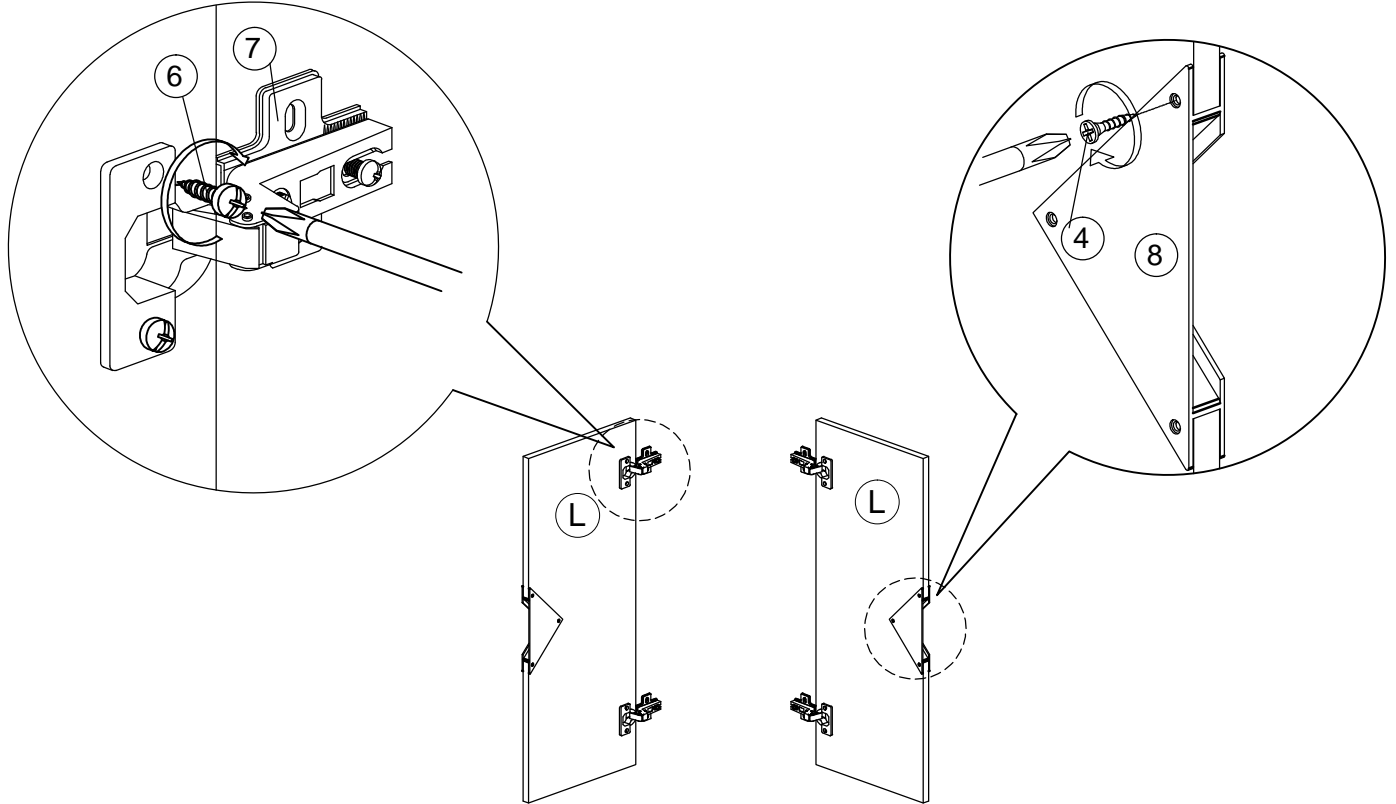


## Step 14

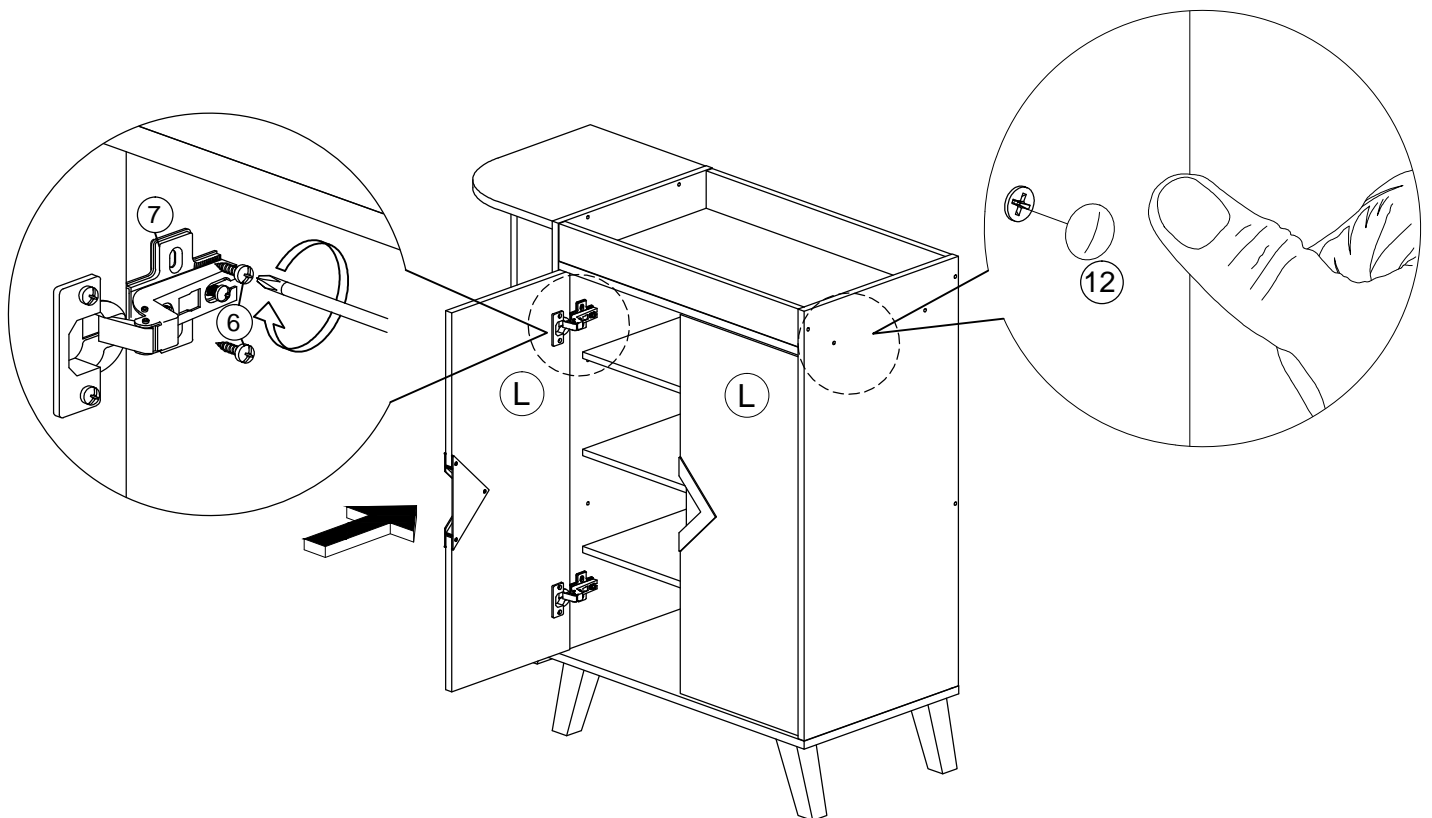


# Assembly Instruction

## Step 15

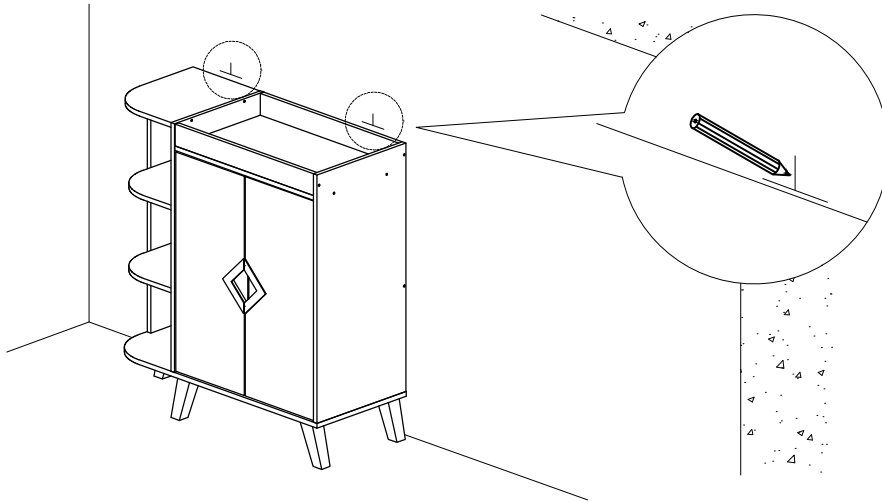


## Step 16

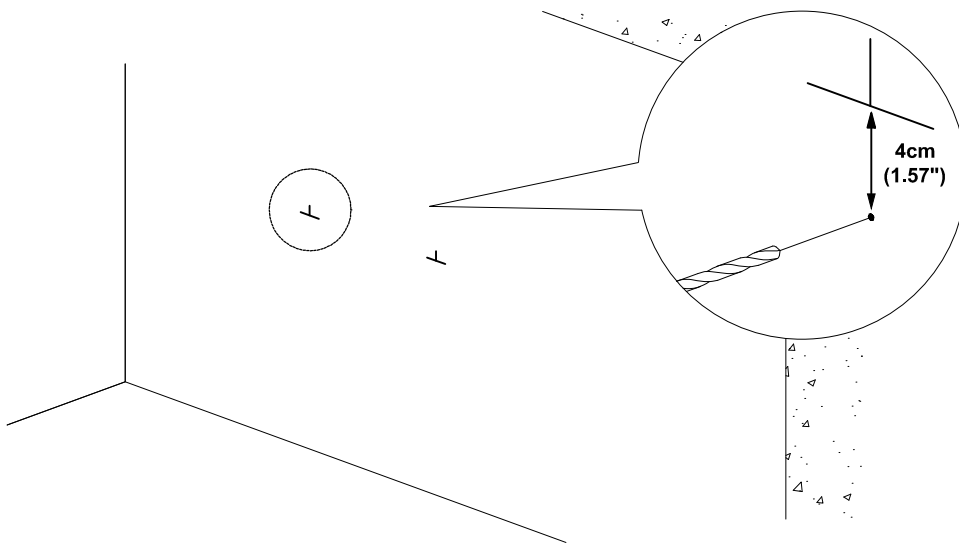




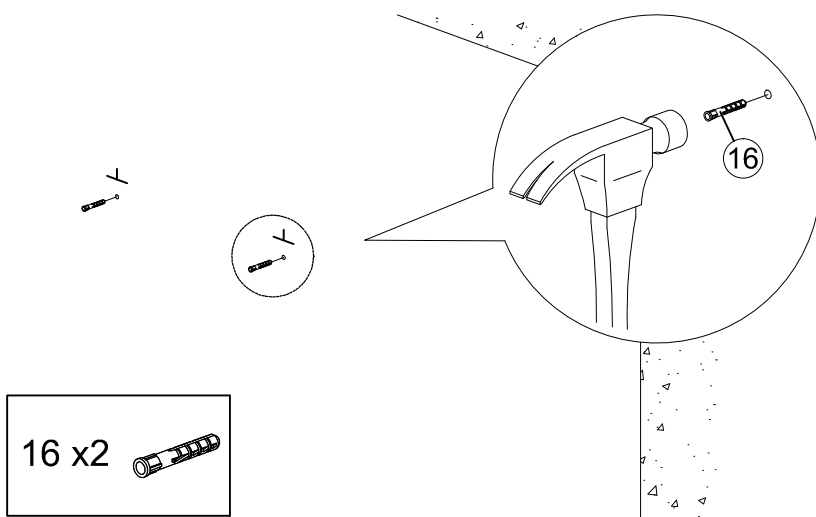
# FURNITURE TIPPING RESTRAINT



**1. First mark the wall with pencil as in diagram.**



**2. Drill small hole at the pencil mark.**

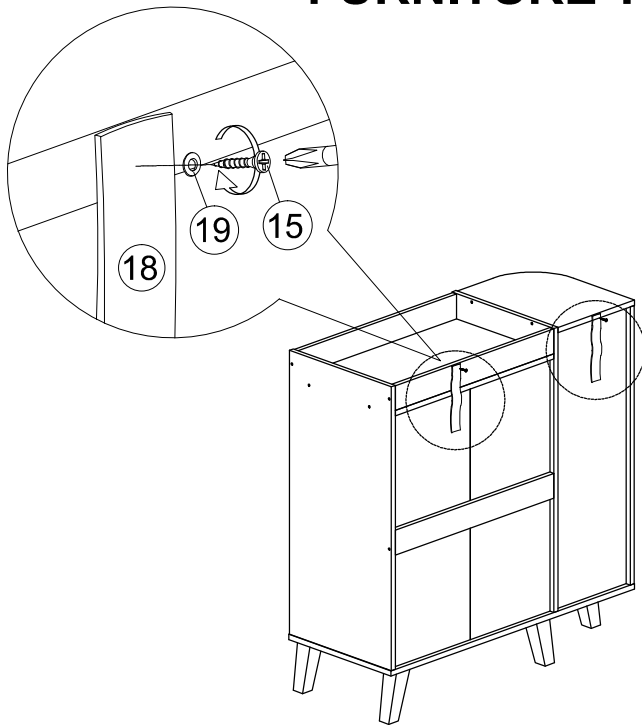


**3. Insert plastic wall plug (16).**

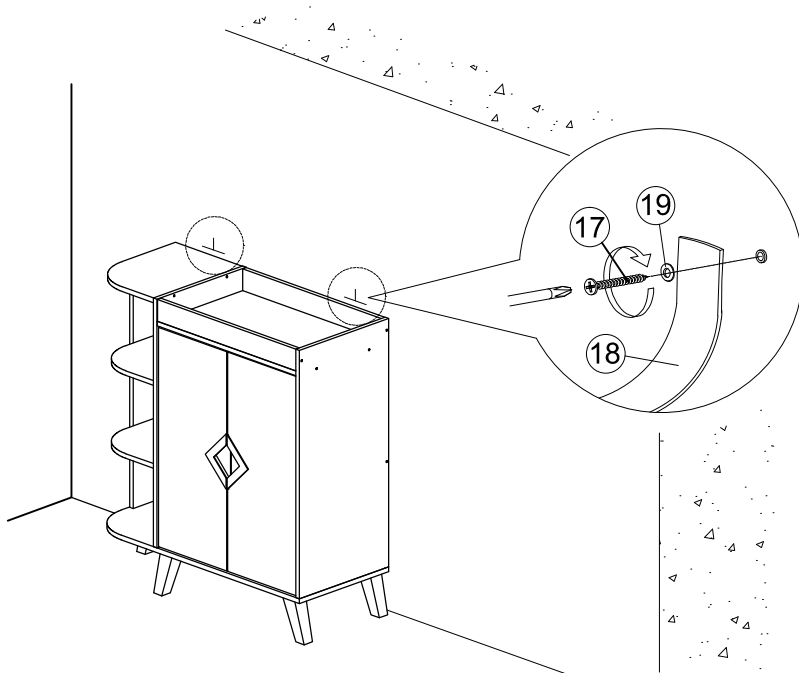
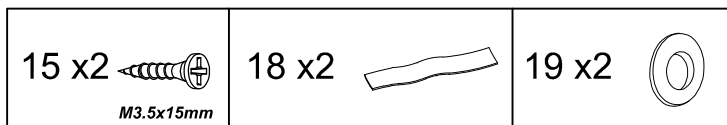
16 x2



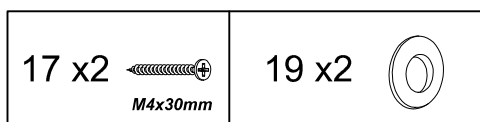
## FURNITURE TIPPING RESTRAINT

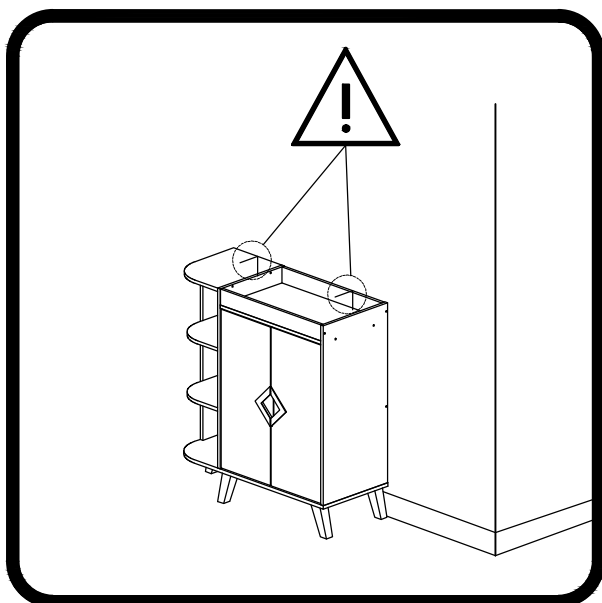


4. Add safety strap (18), washer (19) using 3.5x15mm screw (15) to back of cabinet.



5. Finally, attach safety strap (18) and washer (19) using 4x30mm screw (17) to the wall.





<b>⚠ WARNING</b>	
	<p>Children have died from furniture tipover. To reduce the risk of furniture tipover:</p> <ul style="list-style-type: none"><li>• ALWAYS install tipover restraint provided.</li><li>• NEVER put a TV on this product.</li><li>• NEVER allow children to stand, climb or hang on drawers, doors, or shelves.</li><li>• NEVER open more than one drawer at a time.</li><li>• Place heaviest items in the lowest drawers.</li></ul> <p><i>This is a permanent label. Do not remove!</i></p>
	



**Anti-Topple hardware included for added safety and stability**