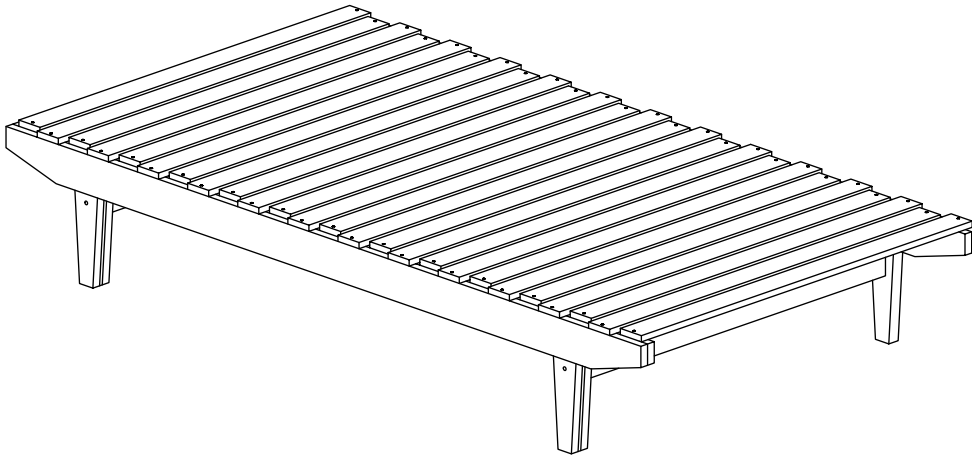


0036 Extension Bed

Assembly Instructions

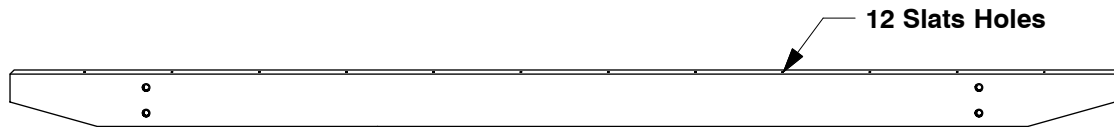
WII-1119

1 Assembled View

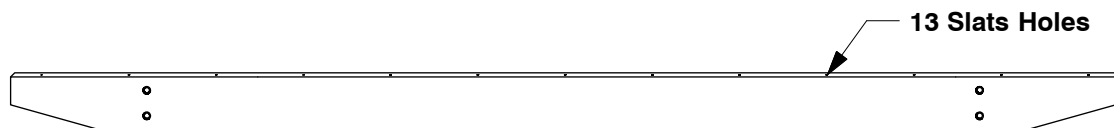


Note: Do not assemble using power tools. This can cause the bolts to be overtightened

2 Parts List



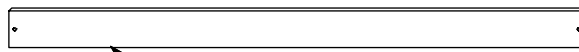
A Side Rail x 2



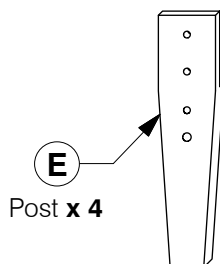
B Pull Out Bar x 2



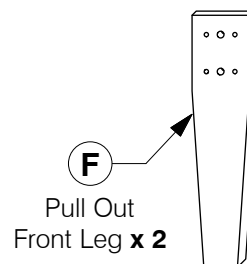
C Support Bar x 2



D Bed Slat x 25



E Post x 4



F Pull Out Front Leg x 2

0036 Extension Bed

Assembly Instructions

WII-1119

3 Hardware List



1 M6 x 70mm JCB
x 4



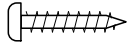
2 M6 x 30mm JCB
x 12



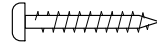
3 Wood Dowel
(10 x 40mm) x 4



4 Barrel Nut
x 4



5 Wood Screw
(M4 x 25mm) x 8

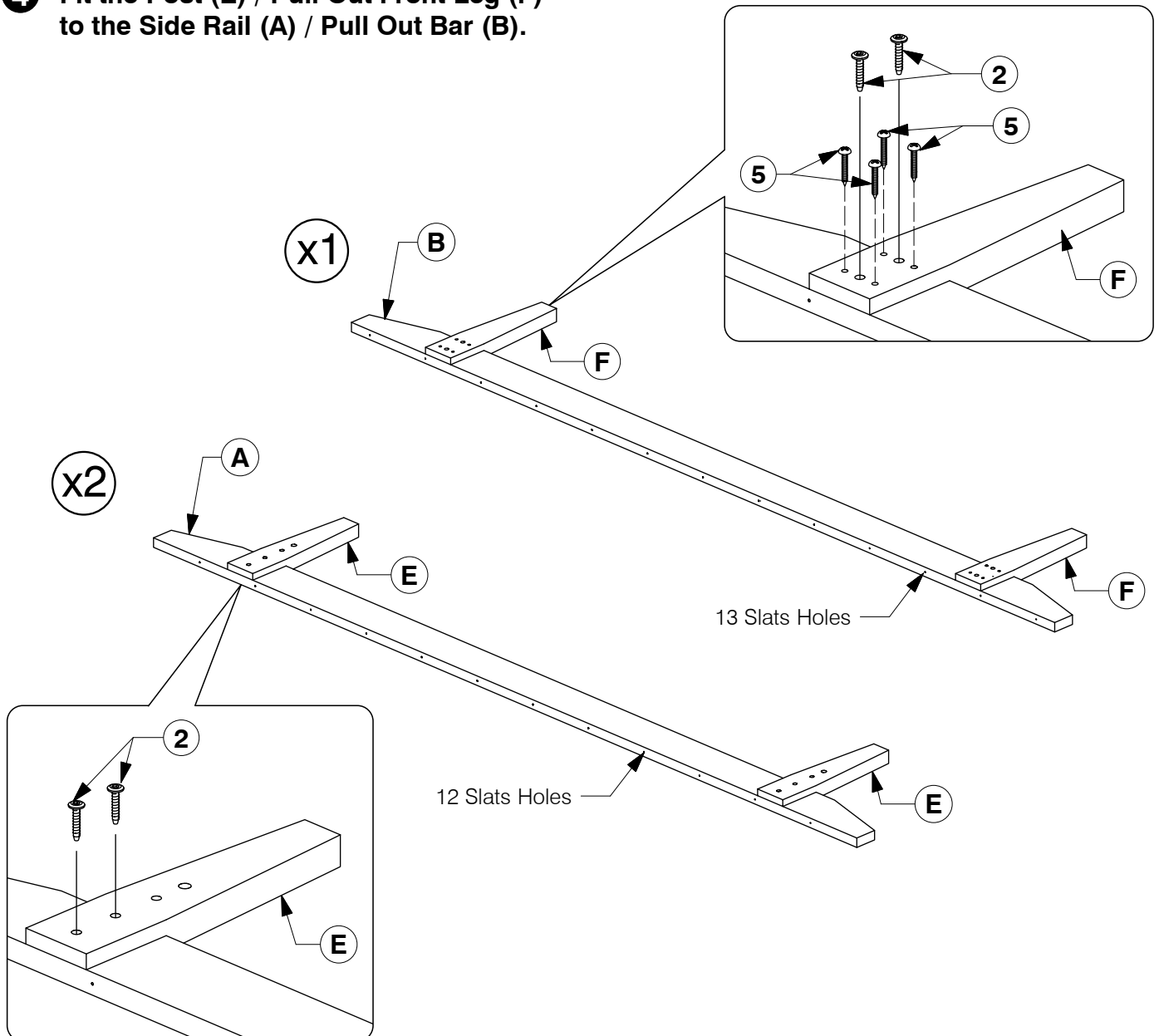


6 Wood Screw
(M4 x 32mm) x 50



7 Allen Key
x 1

4 Fit the Post (E) / Pull Out Front Leg (F) to the Side Rail (A) / Pull Out Bar (B).



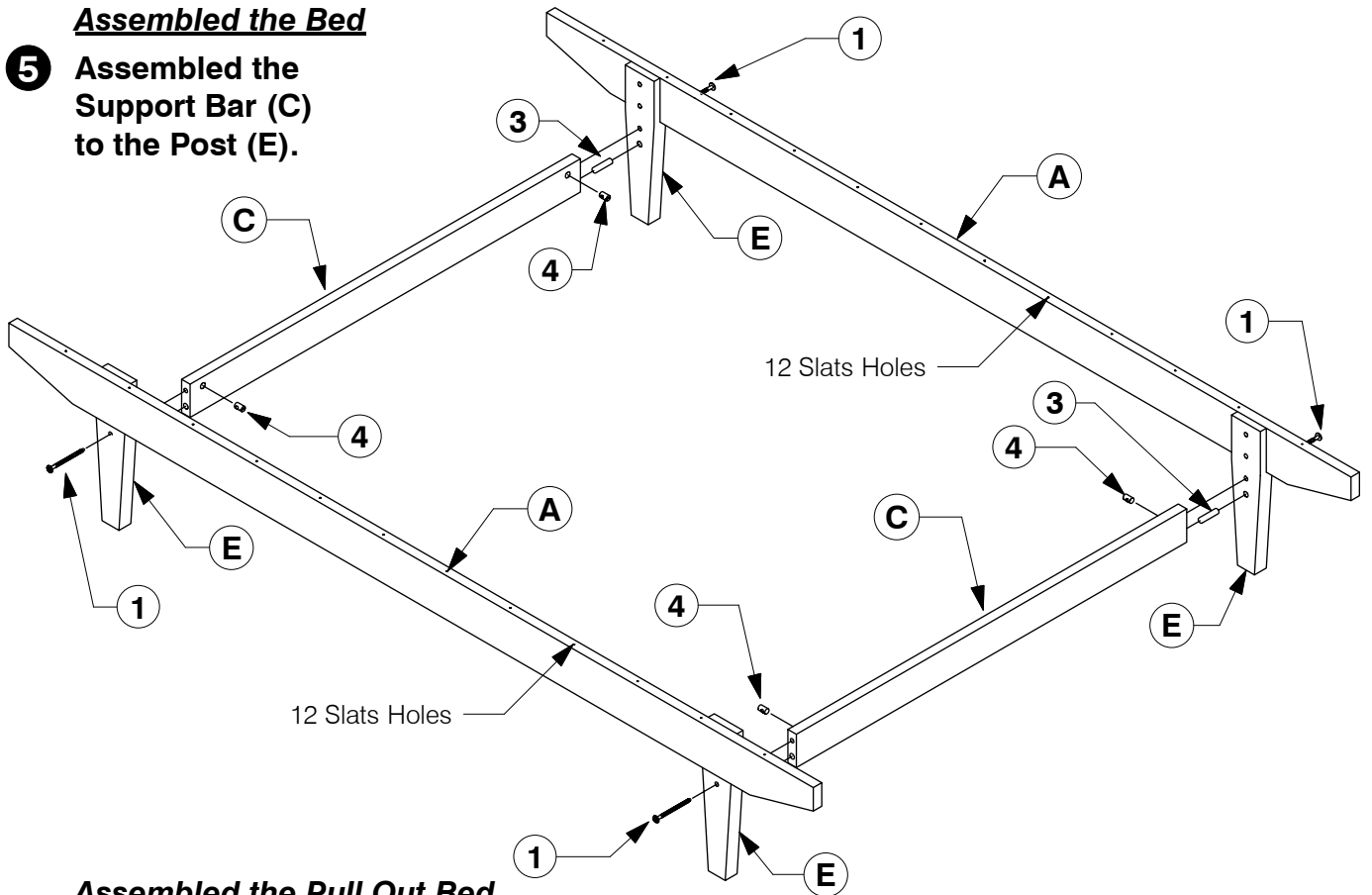
0036 Extension Bed

Assembly Instructions

WII-1119

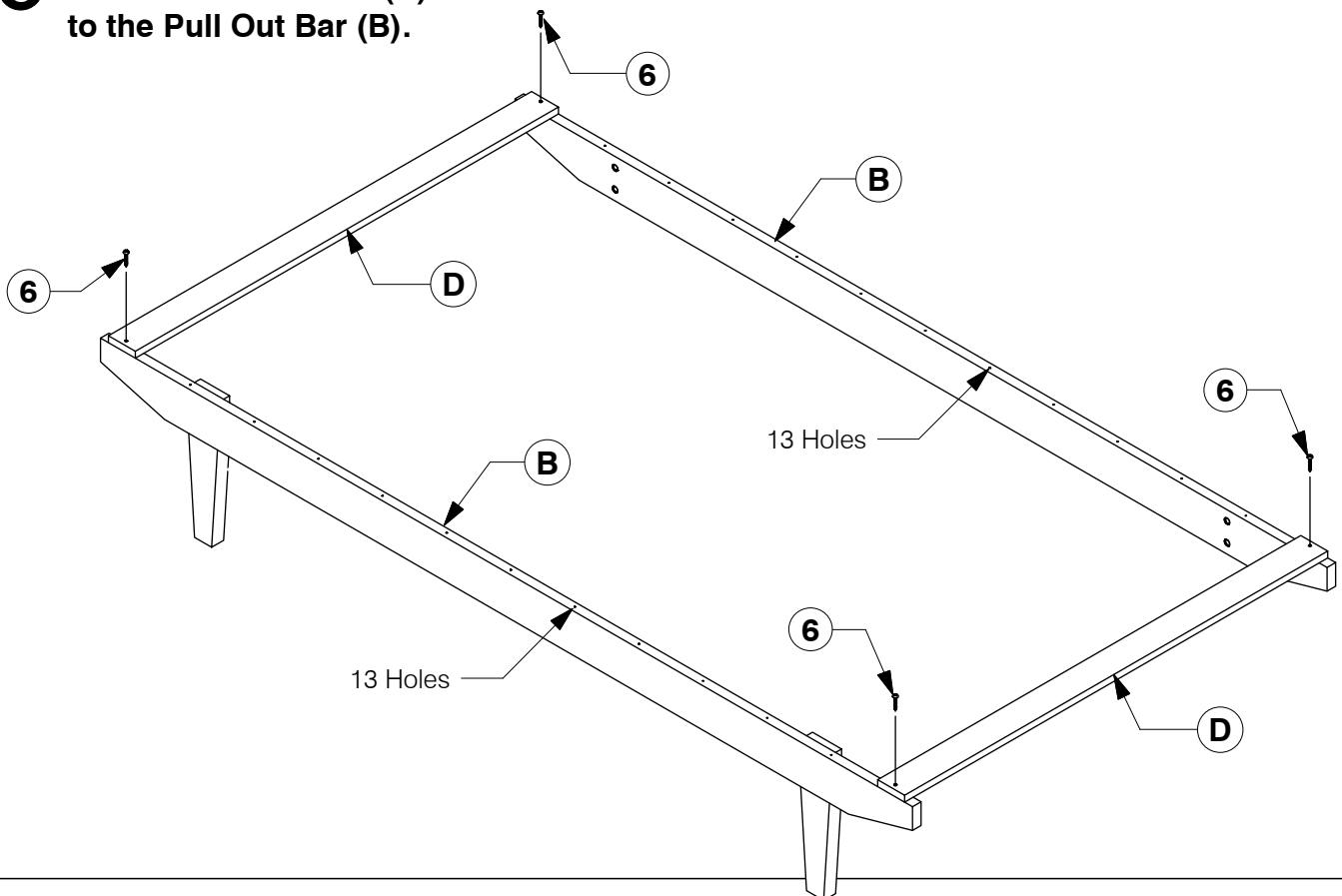
Assembled the Bed

- 5** Assembled the Support Bar (C) to the Post (E).



Assembled the Pull Out Bed

- 6** Screw the Bed Slats (D) to the Pull Out Bar (B).

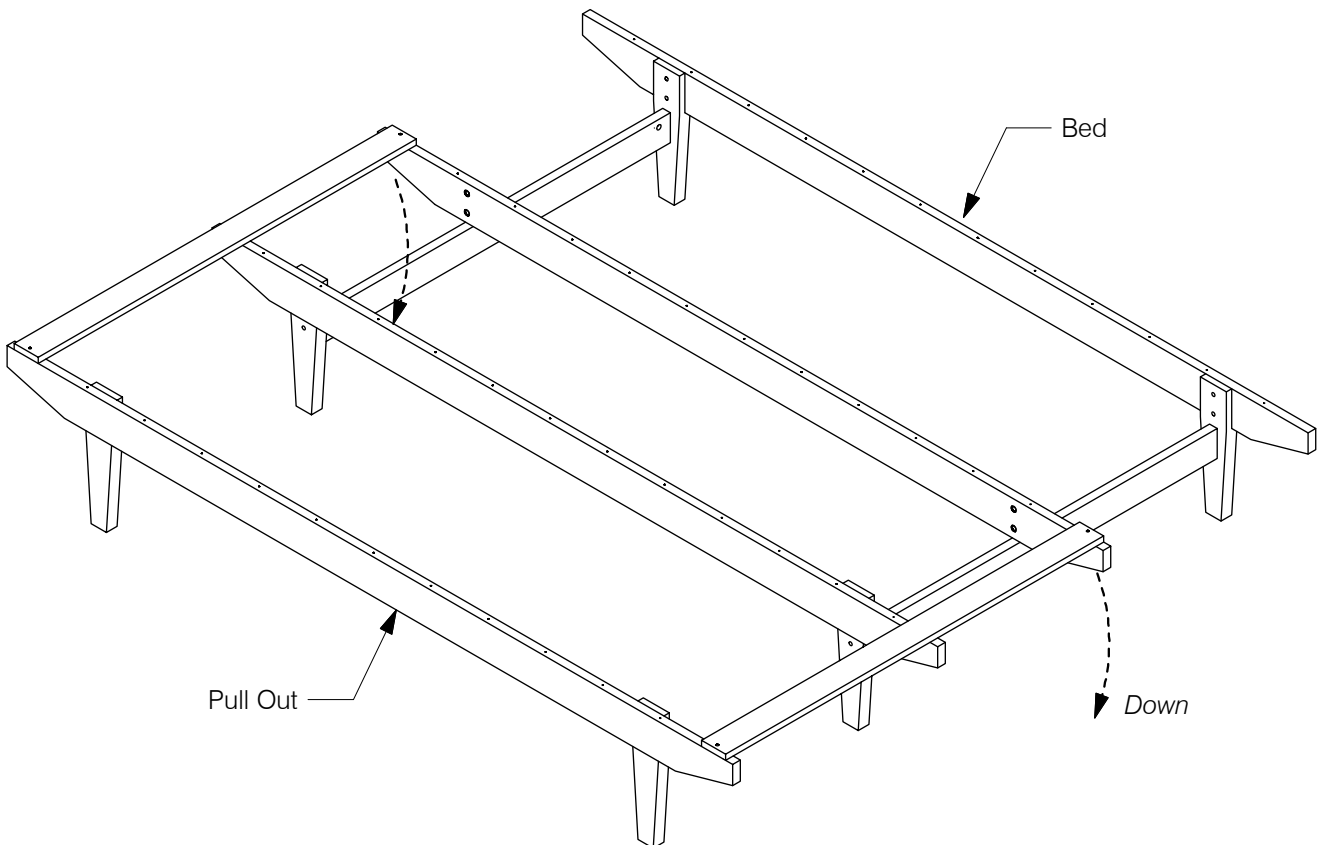
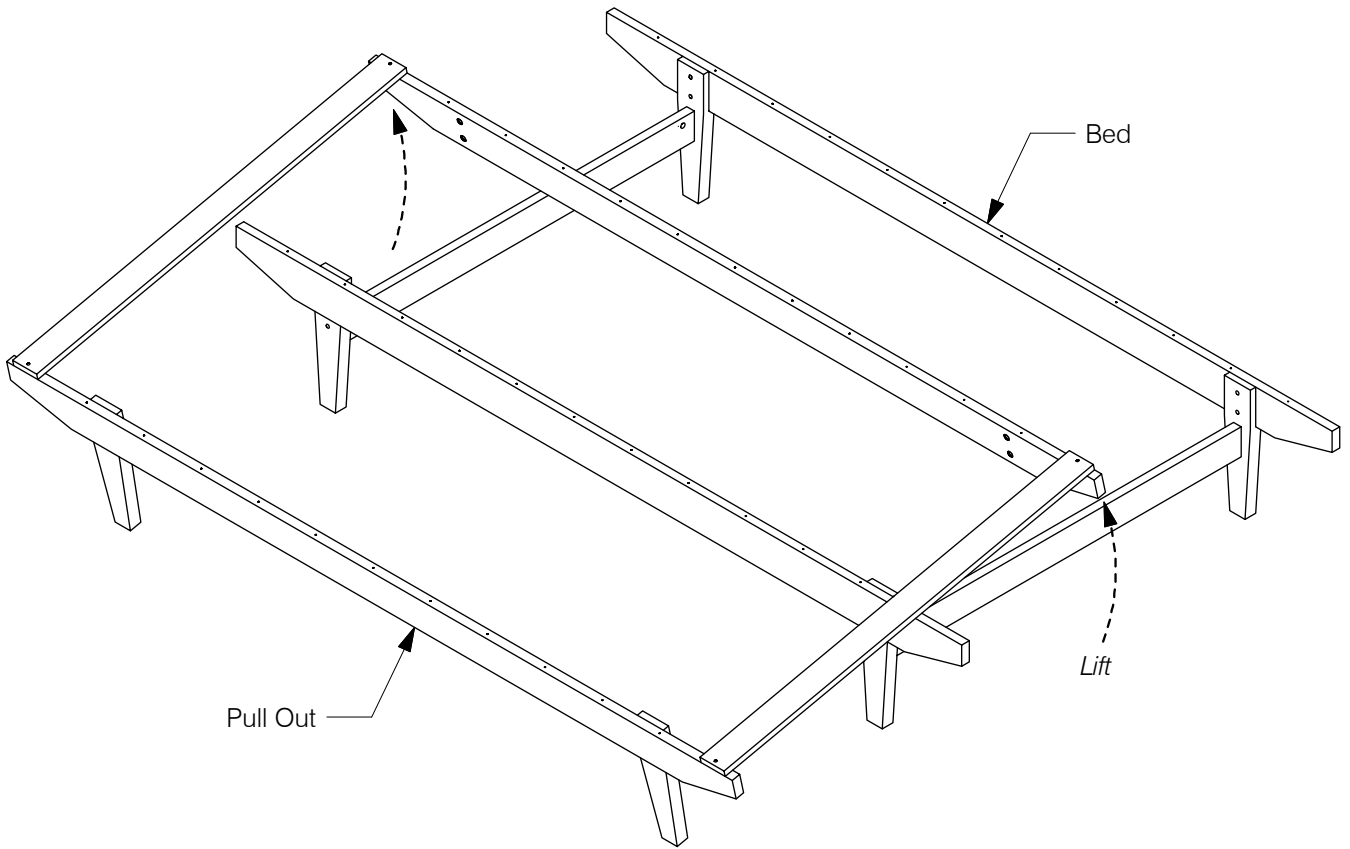


0036 Extension Bed

Assembly Instructions

WI-1119

7 Fit Pull Out Bed

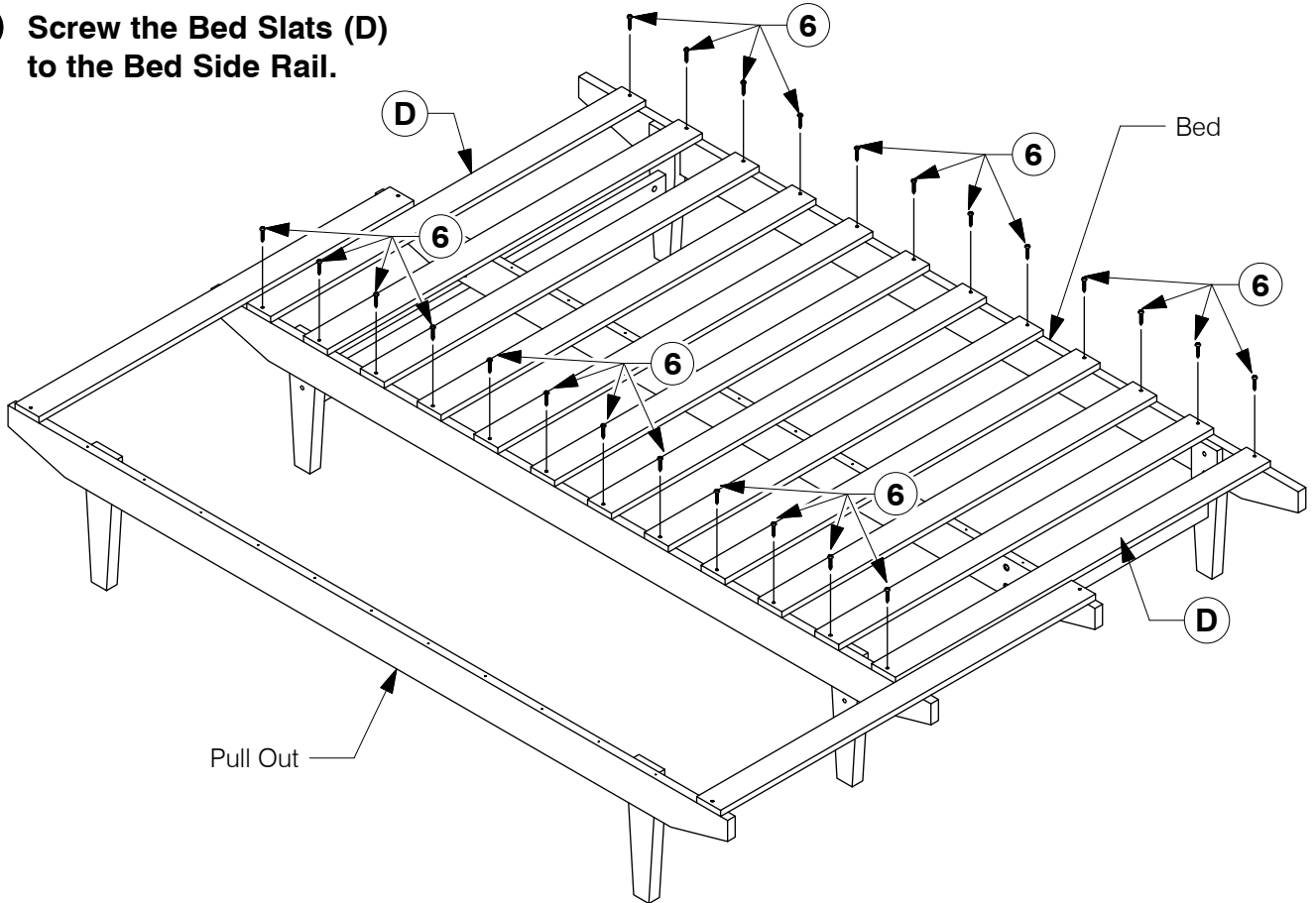


0036 Extension Bed

Assembly Instructions

WII-1119

- 8** Screw the Bed Slats (D) to the Bed Side Rail.



- 9** Screw the remaining Bed Slats (D) to the Pull Out Bed.

