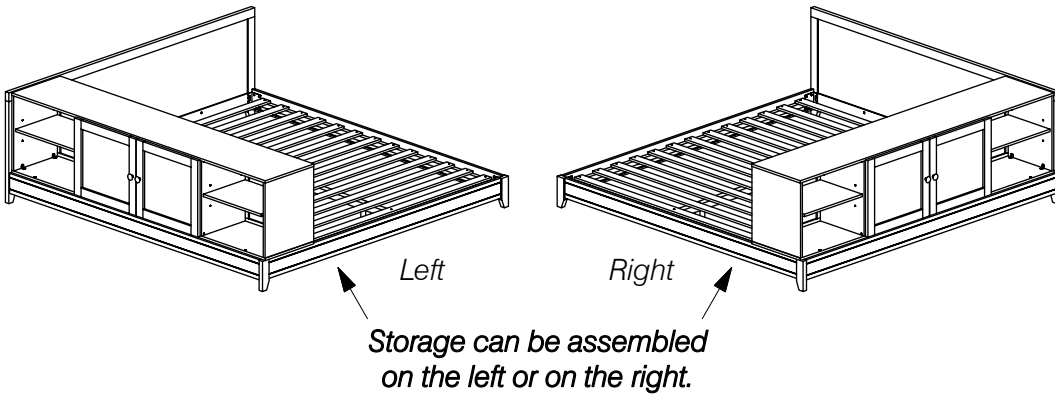


0028 Queen Bed

Assembly Instructions

WII-1219

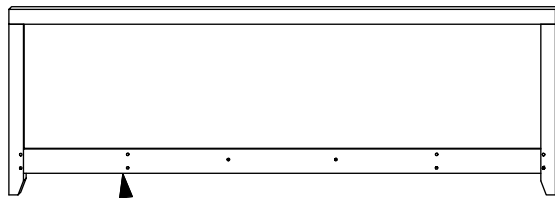
1 Assembled View



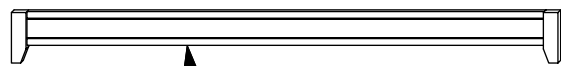
Note: Do not assemble using power tools. This can cause the bolts to be overtightened

2 Parts List

Parts in Box A:

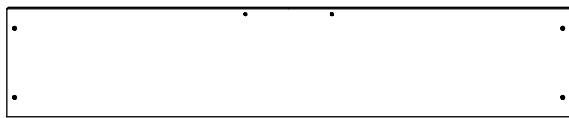


A Headboard x 1

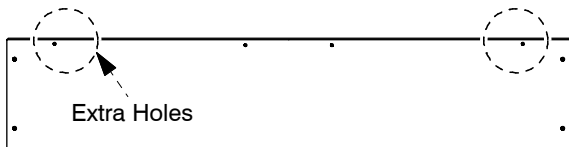


B Footboard x 1

Parts in Box B:

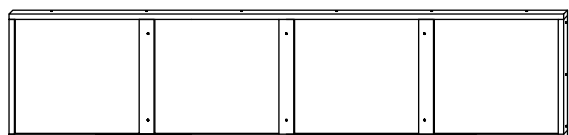


C Storage Top Panel x 1

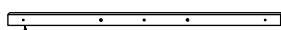


Extra Holes

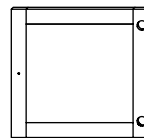
D Storage Bottom Panel x 1



E Storage Rear Frame x 1



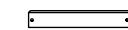
F Storage Support Rail x 2



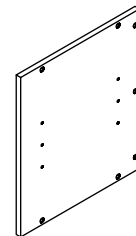
G Storage Door Panel x 2



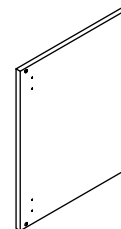
H Storage Shelf x 2



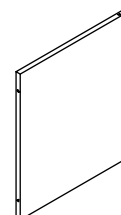
J Support Bar x 2



K Storage Side Panel x 2



L Storage Divider x 2



M Storage Divider (Center) x 1

0028 Queen Bed

Assembly Instructions

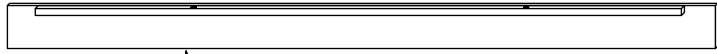
WII-1219

2 Part List

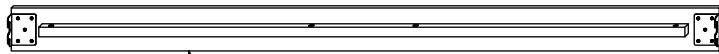
Parts in Box C:



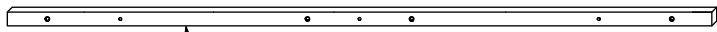
N Side Rail (Left Hand) x 1



O Side Rail (Center) x 1



P Side Rail (Right Hand) x 1

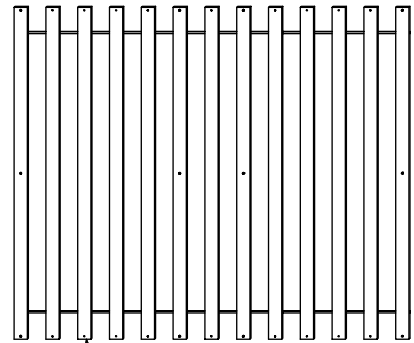


Q Long Support x 1



R

Support Leg x 3

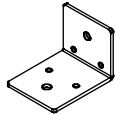


S Set of Bed Slats x 1

3 Hardware List



1 M4 Allen Key x 1



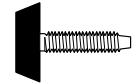
2 Center Rail Bracket x 2



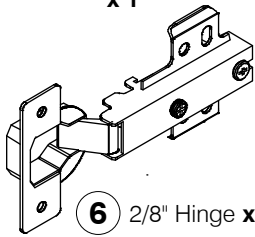
3 'L' Bracket x 8



4 Shelf Support x 8



5 Adjustable Foot x 3



6 2/8" Hinge x 4



7 M4 x 30mm Bolt x 2



8 Wooden Knob x 2



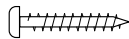
9 Spring Washer x 12



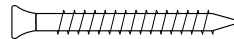
10 Flat Washer x 12



11 Wood Screw (M4 x 16mm) x 24



12 Wood Screw (M4 x 32mm) x 36



13 CSK Cap Wood Screw (M6 x 50mm) x 8



14 M6 x 15mm JCB x 20



15 M6 x 20mm JCB x 12



16 M6 x 30mm JCB x 14



17 M6 x 40mm JCB x 16



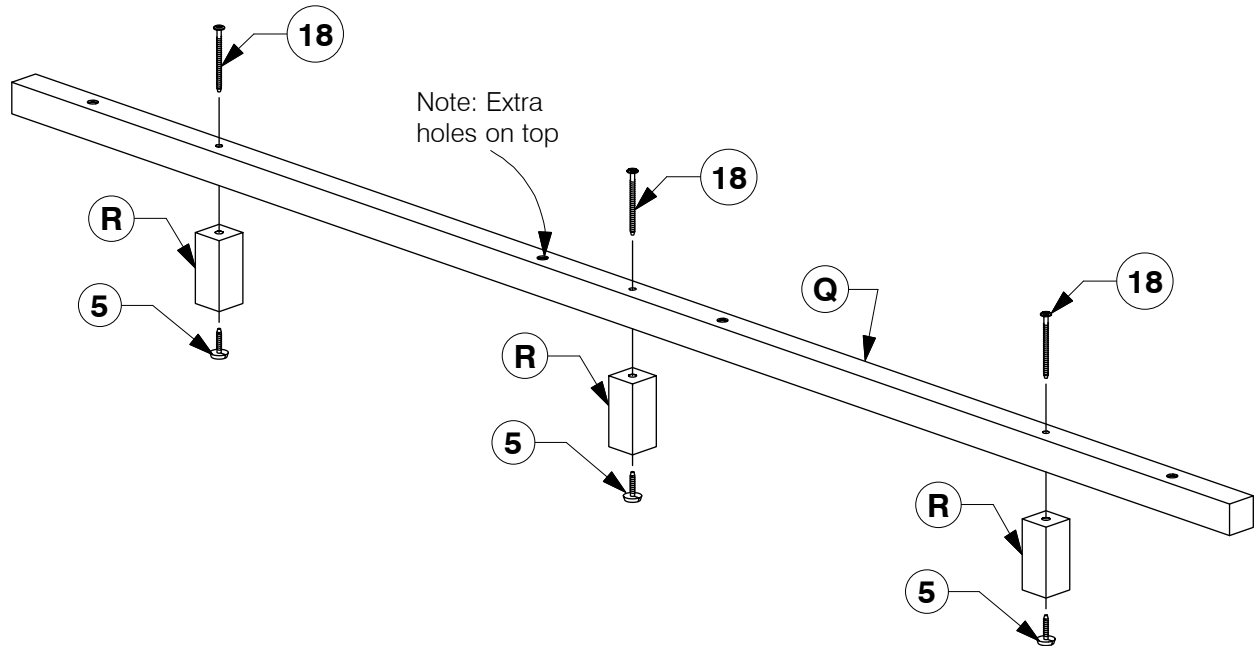
18 M6 x 90mm JCB x 3

0028 Queen Bed

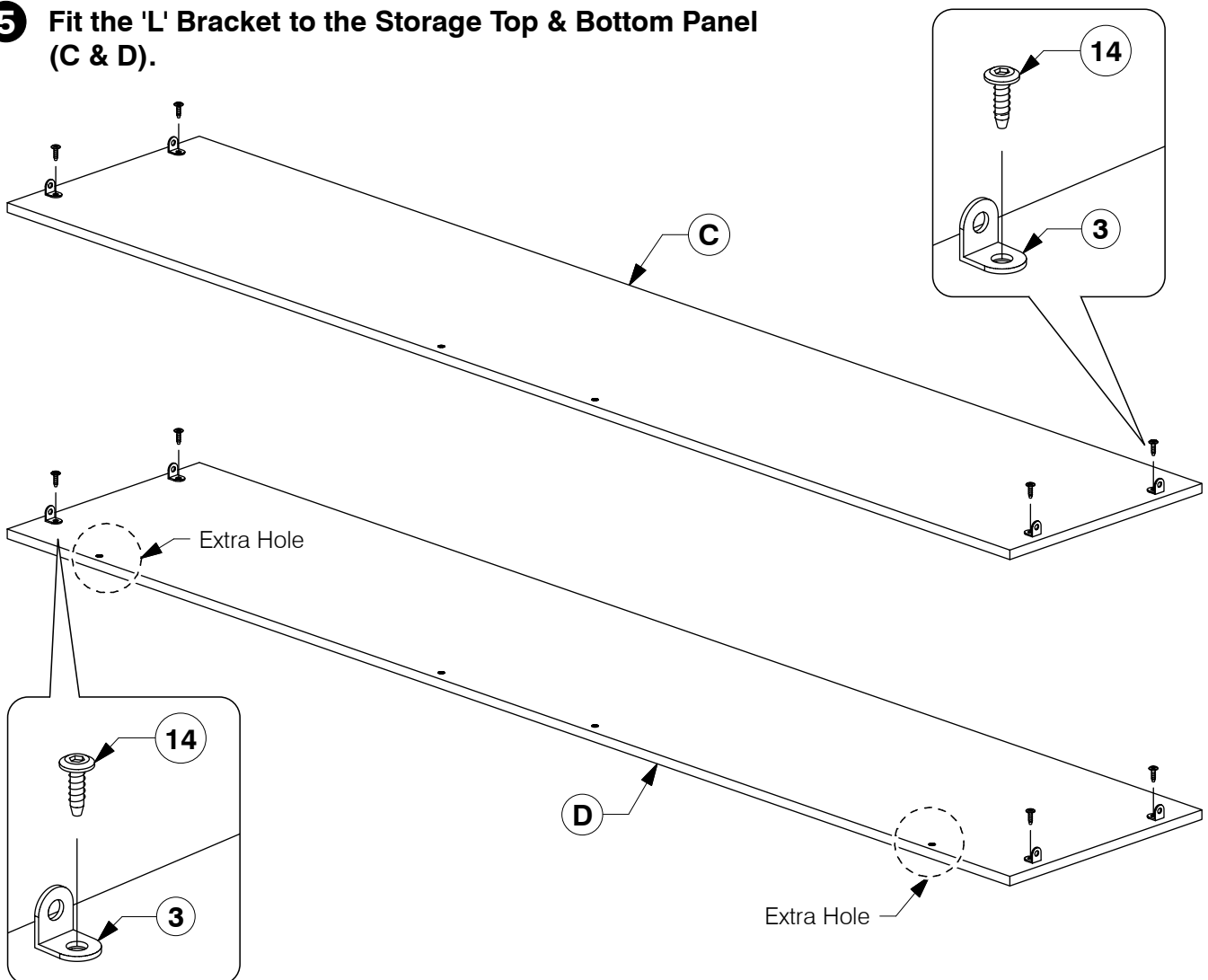
Assembly Instructions

WII-1219

4 Assemble the Support Leg (R) to the Long Support (Q).



5 Fit the 'L' Bracket to the Storage Top & Bottom Panel (C & D).

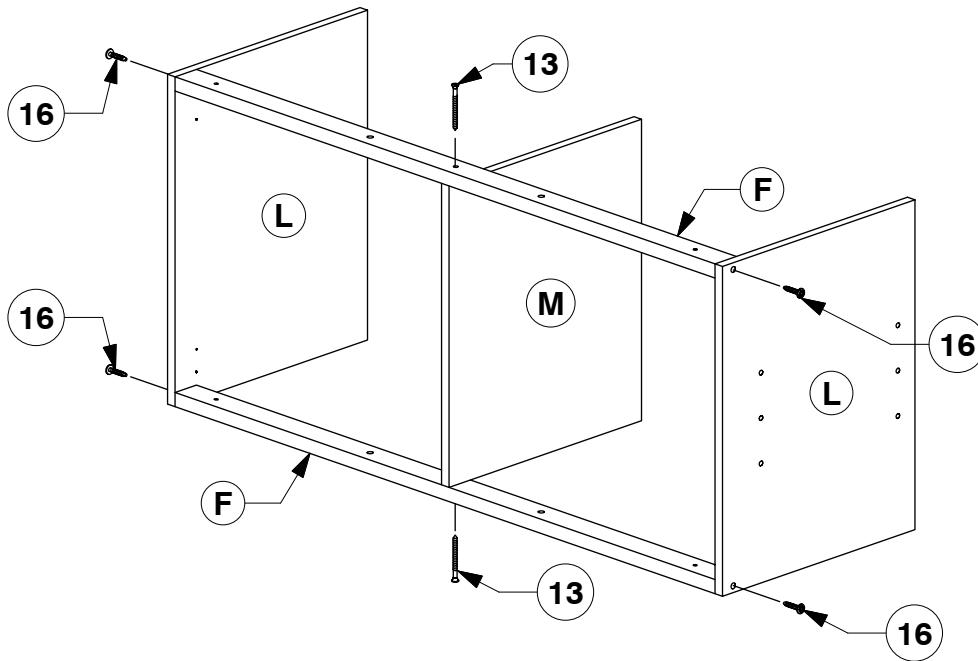


0028 Queen Bed

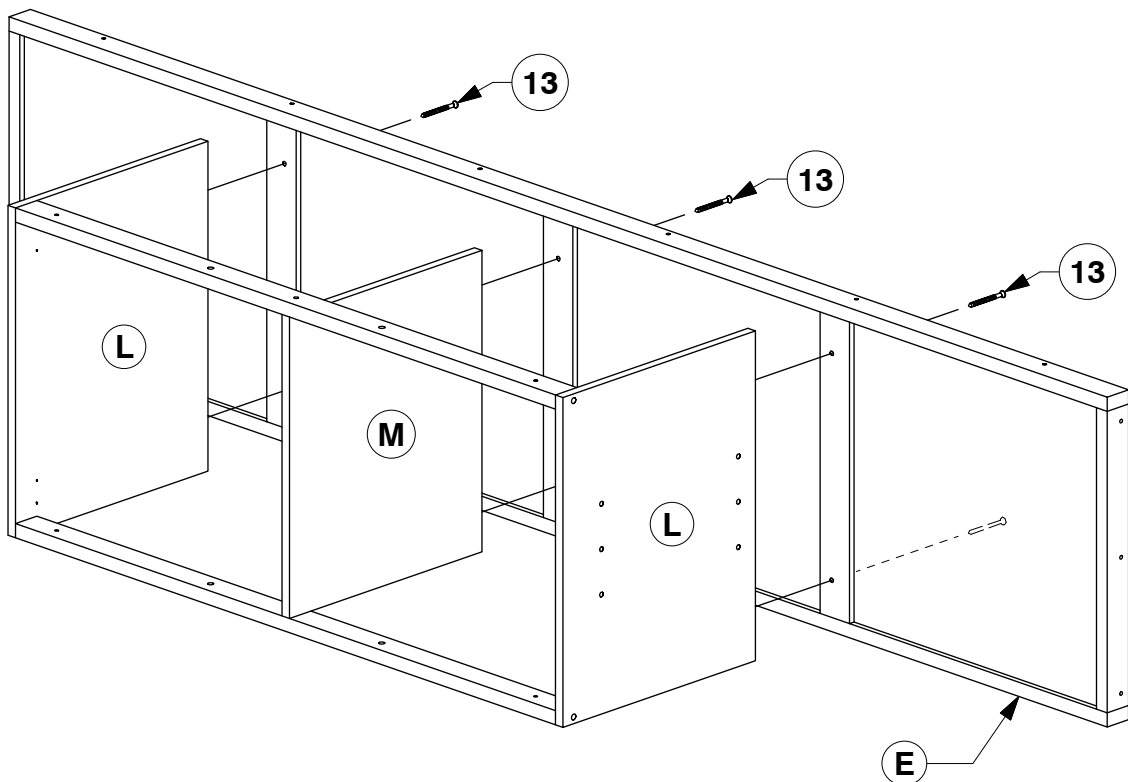
Assembly Instructions

WII-1219

- 6** Assemble the Storage Support Rail (F) to the Storage Divider (L & M).



- 7** Fit the Storage Divider (L & M) to the Storage Rear Frame (E).

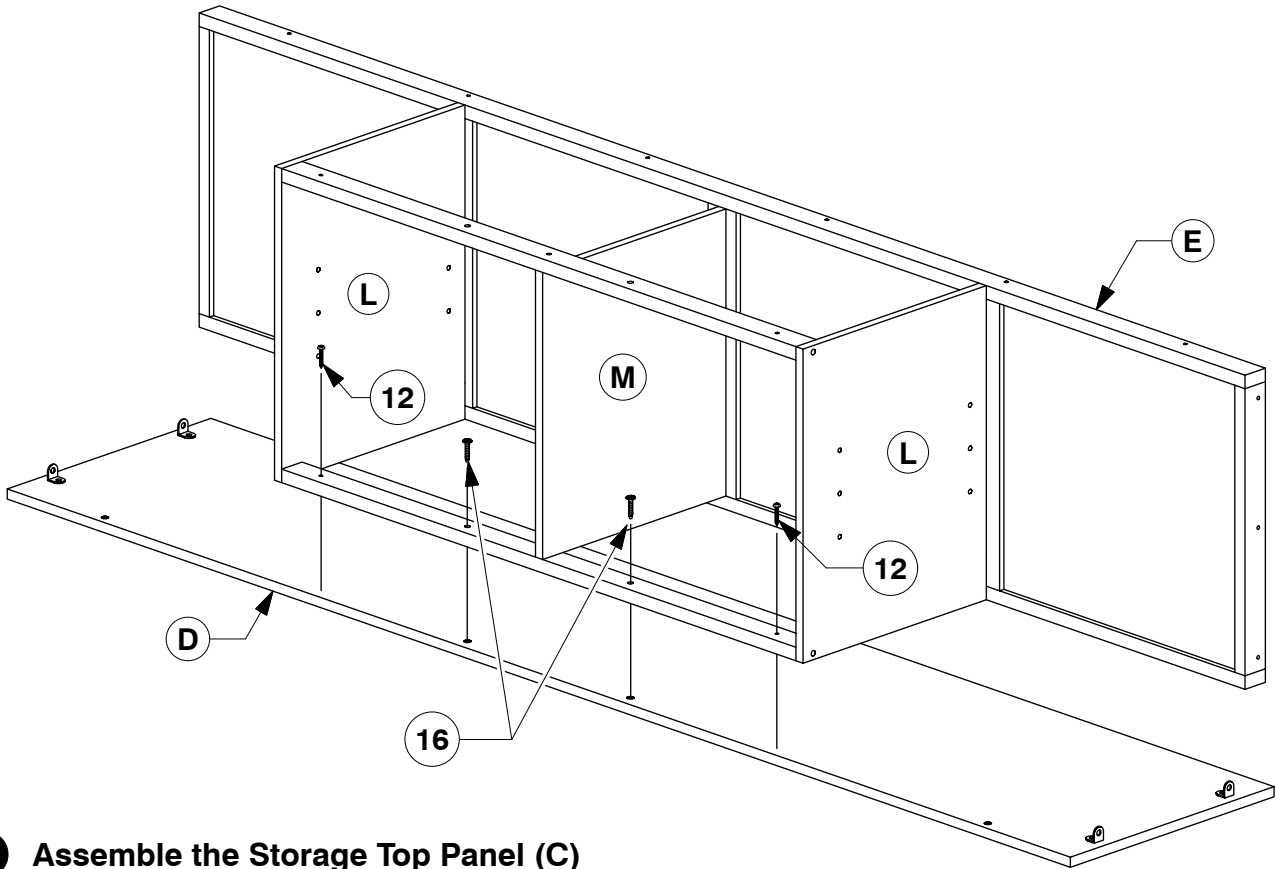


0028 Queen Bed

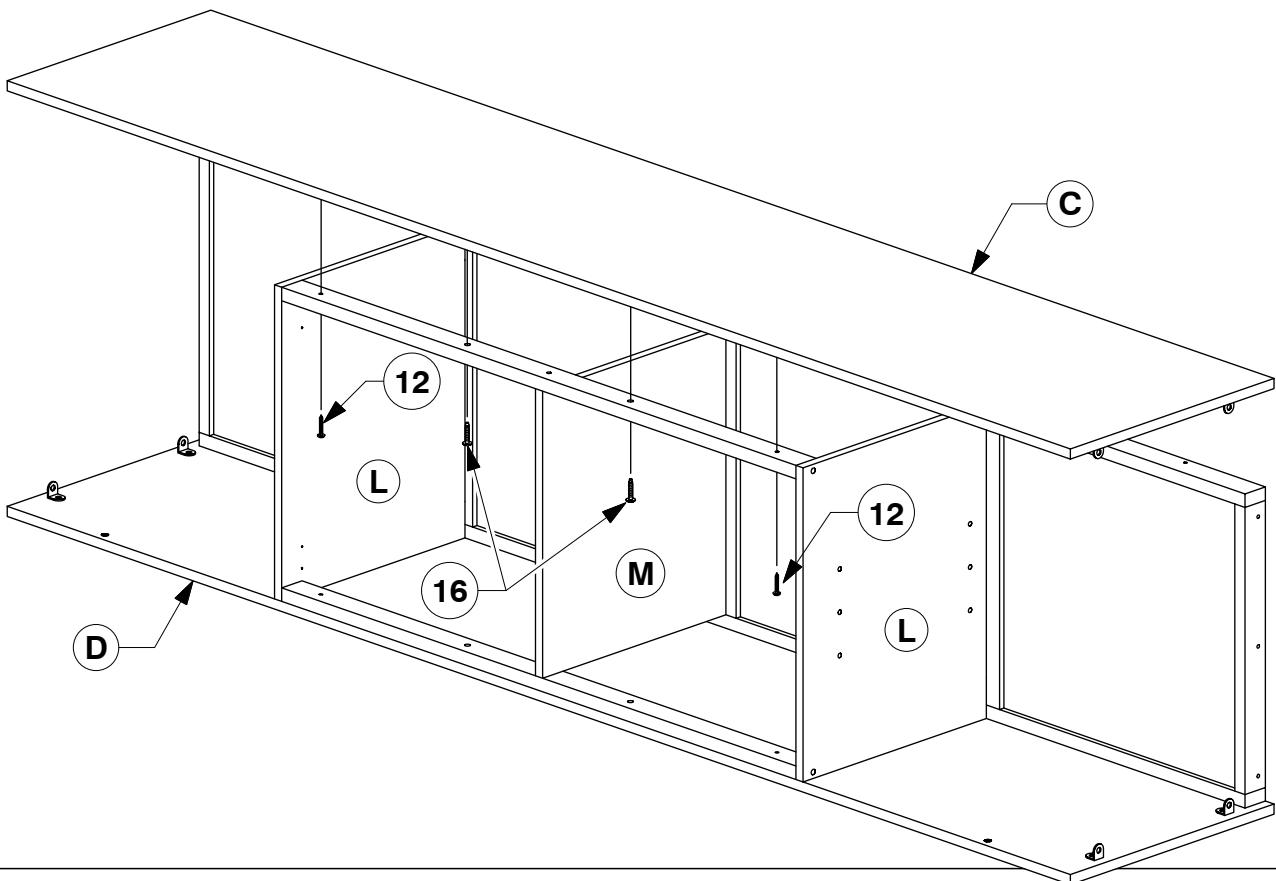
Assembly Instructions

WII-1219

- 8 Assemble the Storage Bottom Panel (D) to the Storage Divider (L & M).**



- 9 Assemble the Storage Top Panel (C) to the Storage Divider. (L & M)**

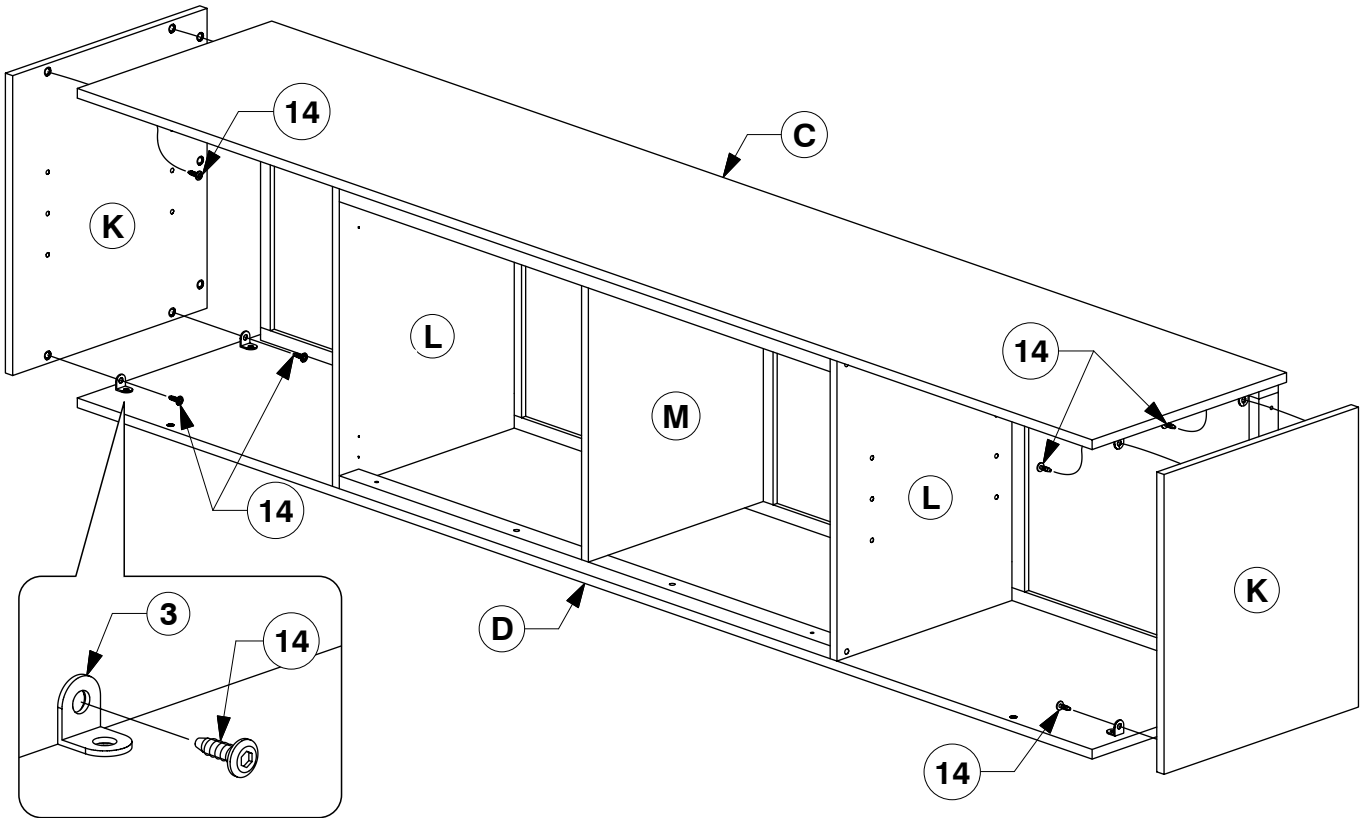


0028 Queen Bed

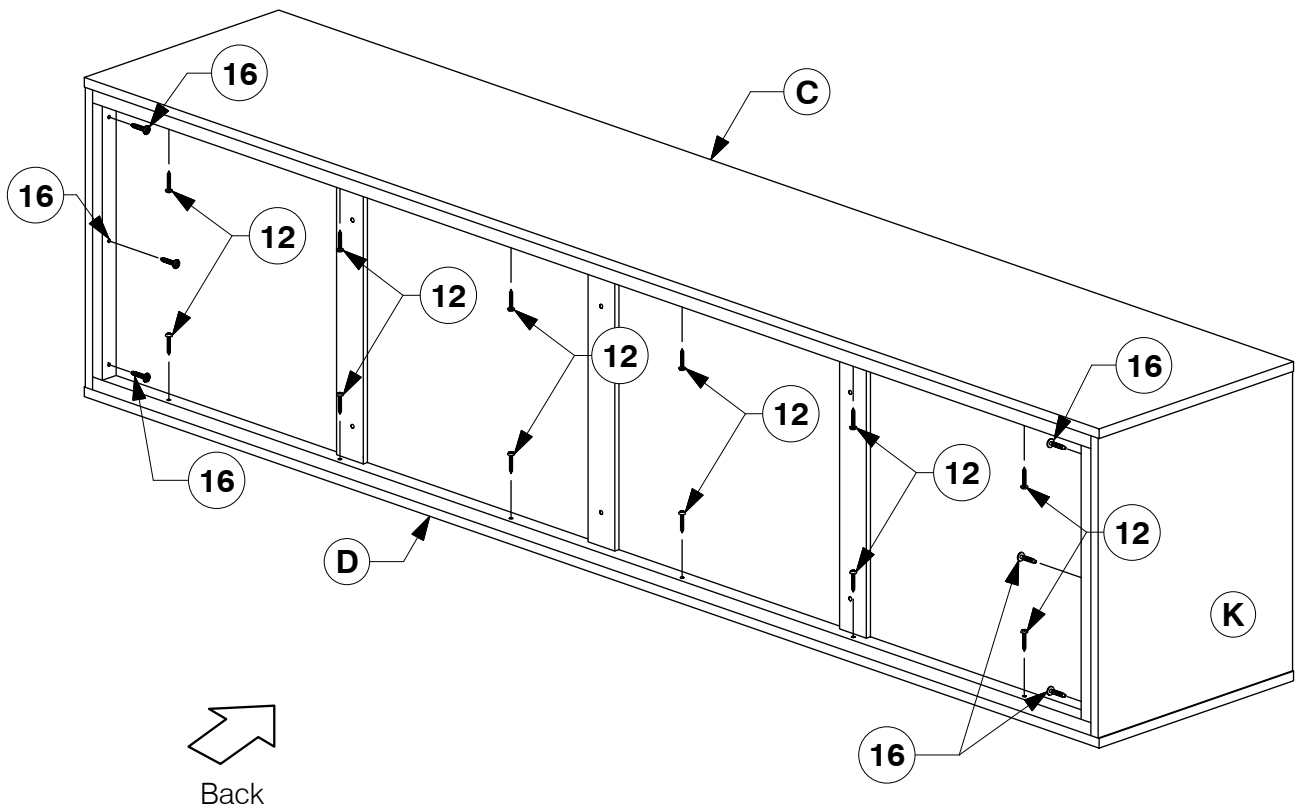
Assembly Instructions

WII-1219

- 10** Attach the Storage Side Panel (K) to the Frame as shown below.



- 11** Fit the bolts & Wood Screw as shown below.

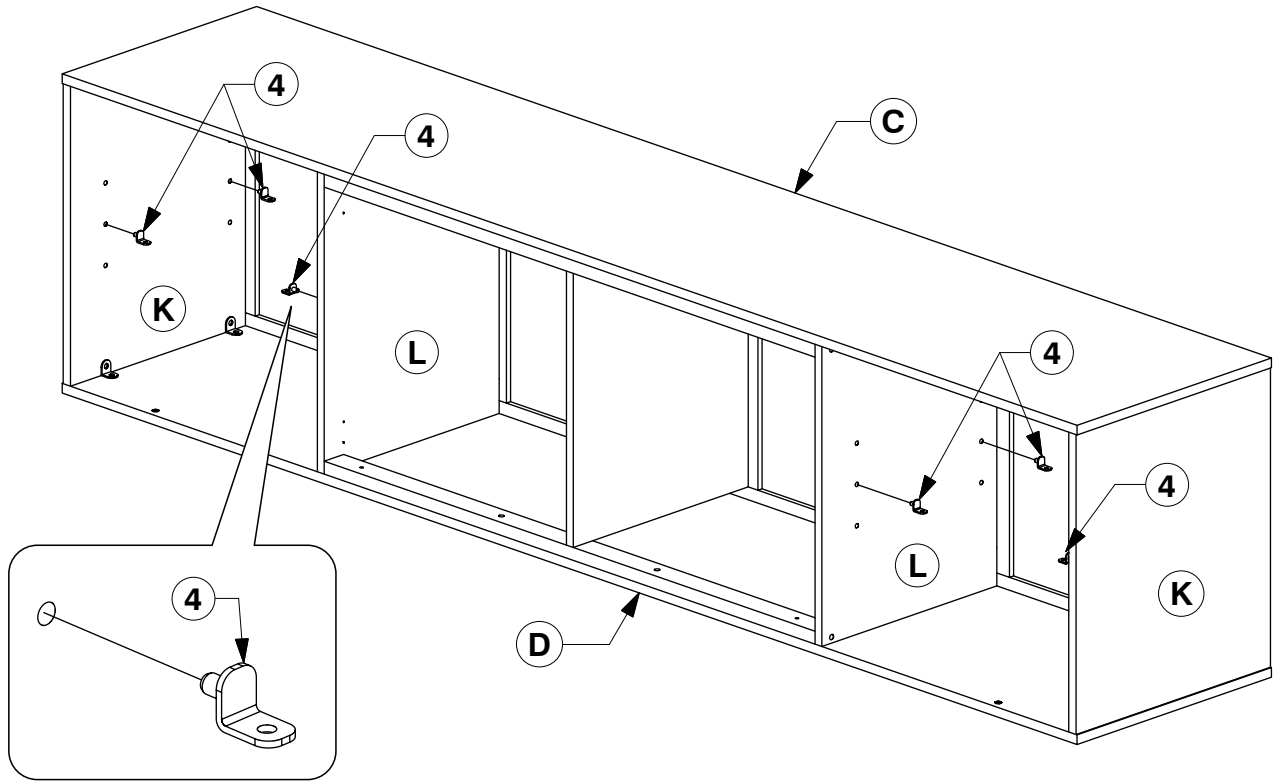


0028 Queen Bed

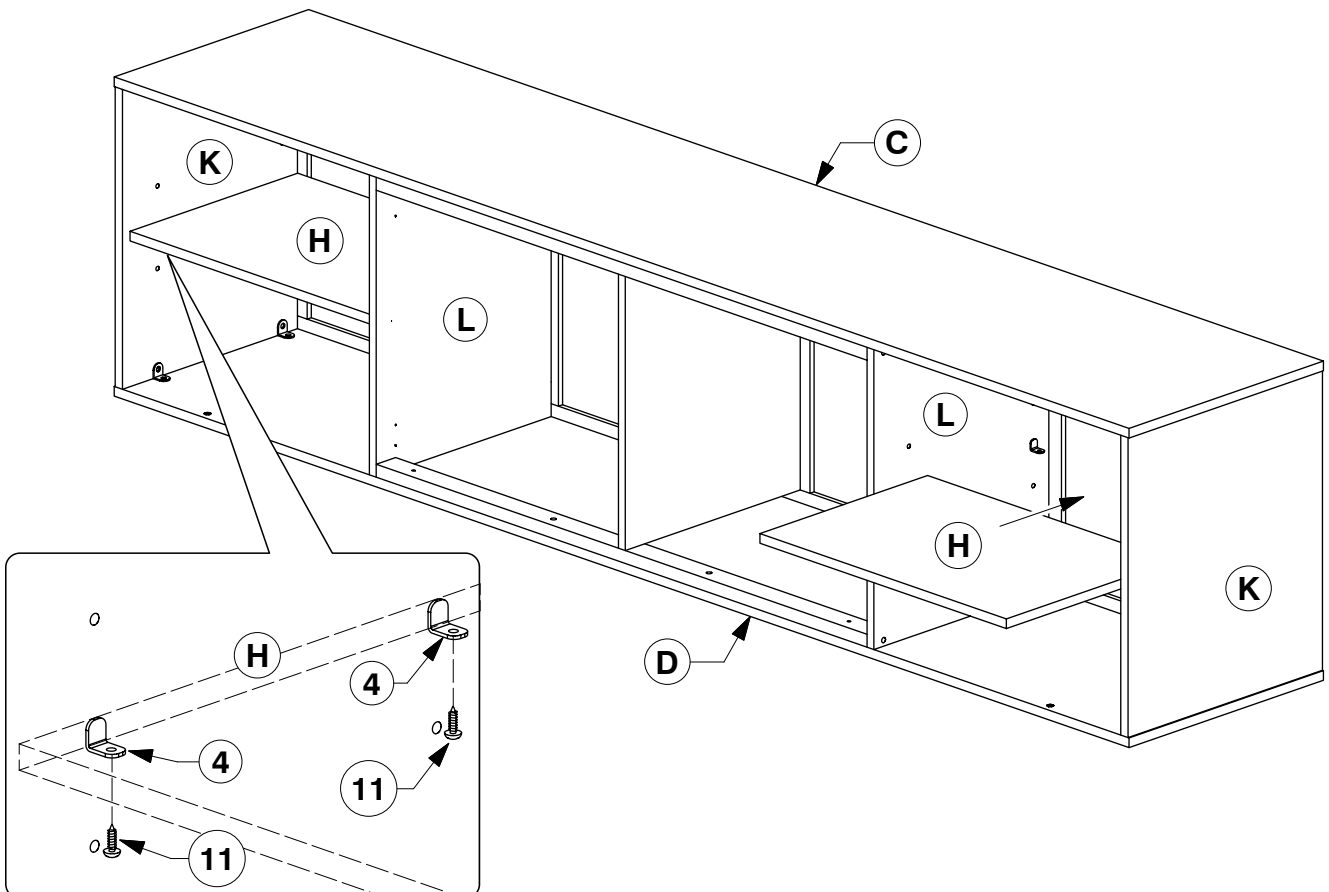
Assembly Instructions

WII-1219

- 12** Fit the Shelf Support to the Storage Side Panel (K) and Storage Divider (L).



- 13** Fit the Storage Shelf (H) in place.

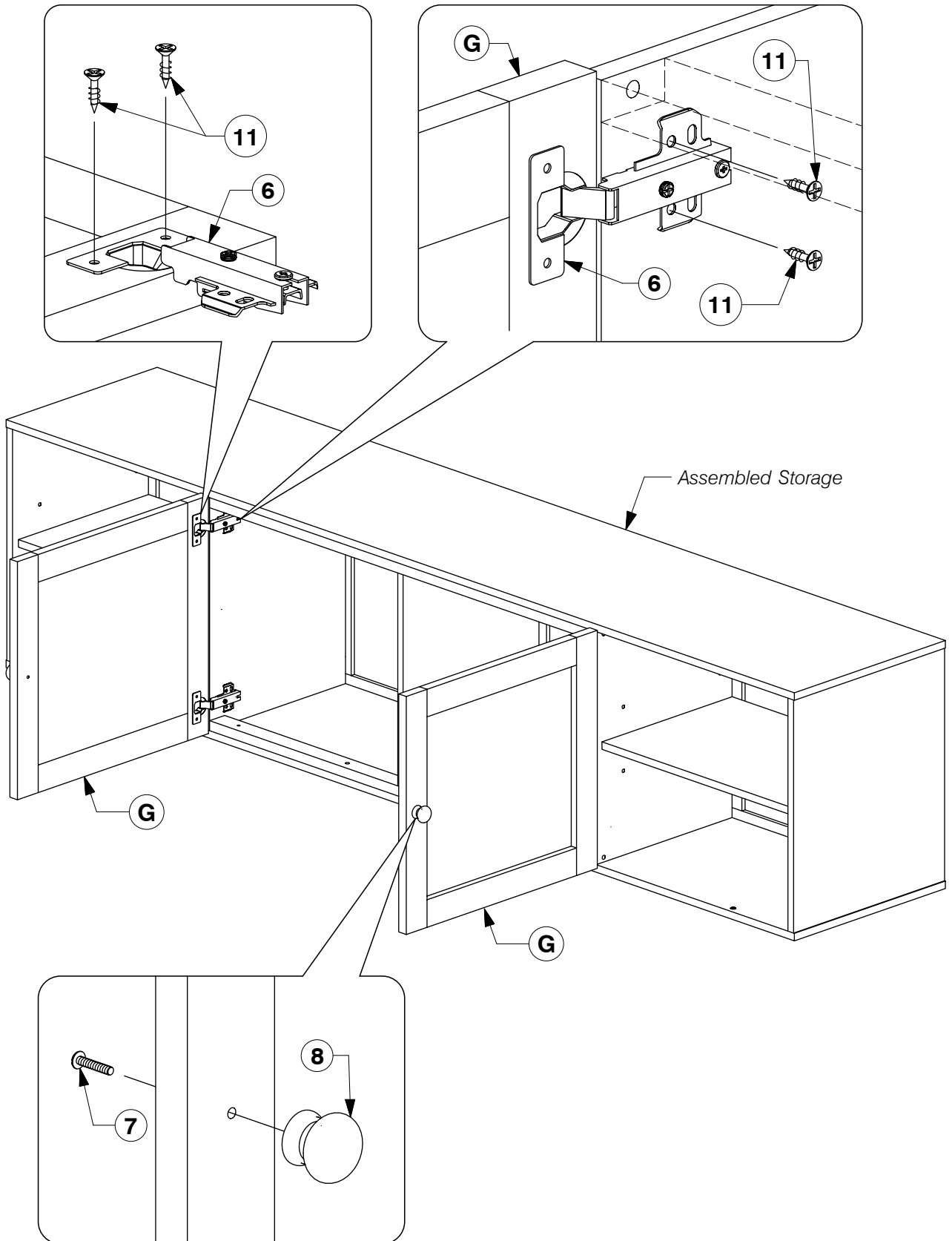


0028 Queen Bed

Assembly Instructions

WII-1219

14 Fit the Storage Door Panel (G).

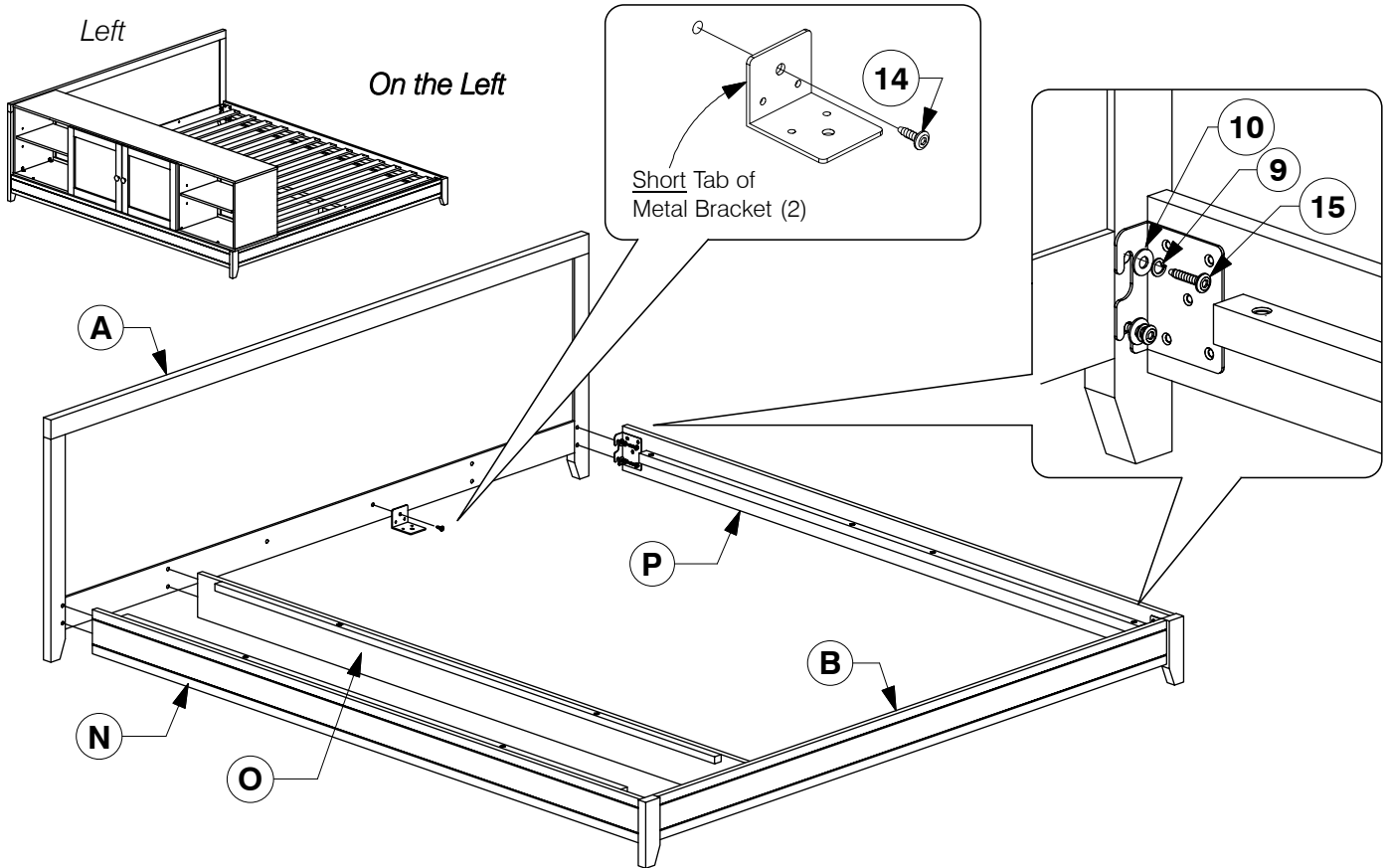


0028 Queen Bed

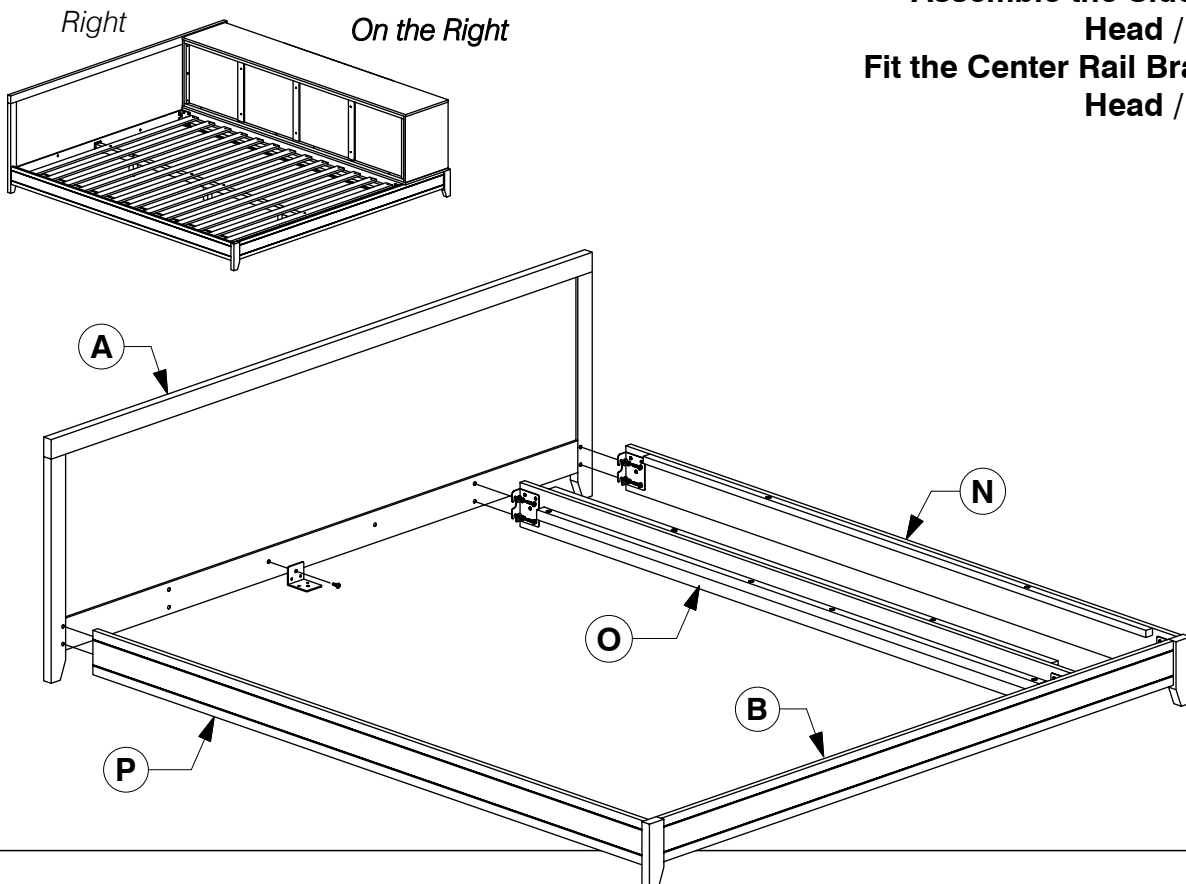
Assembly Instructions

WII-1219

15 Storage can be assembled on the left or on the right.



**Assemble the Side Rail to the Head / Footboard.
Fit the Center Rail Bracket to the Head / Footboard.**

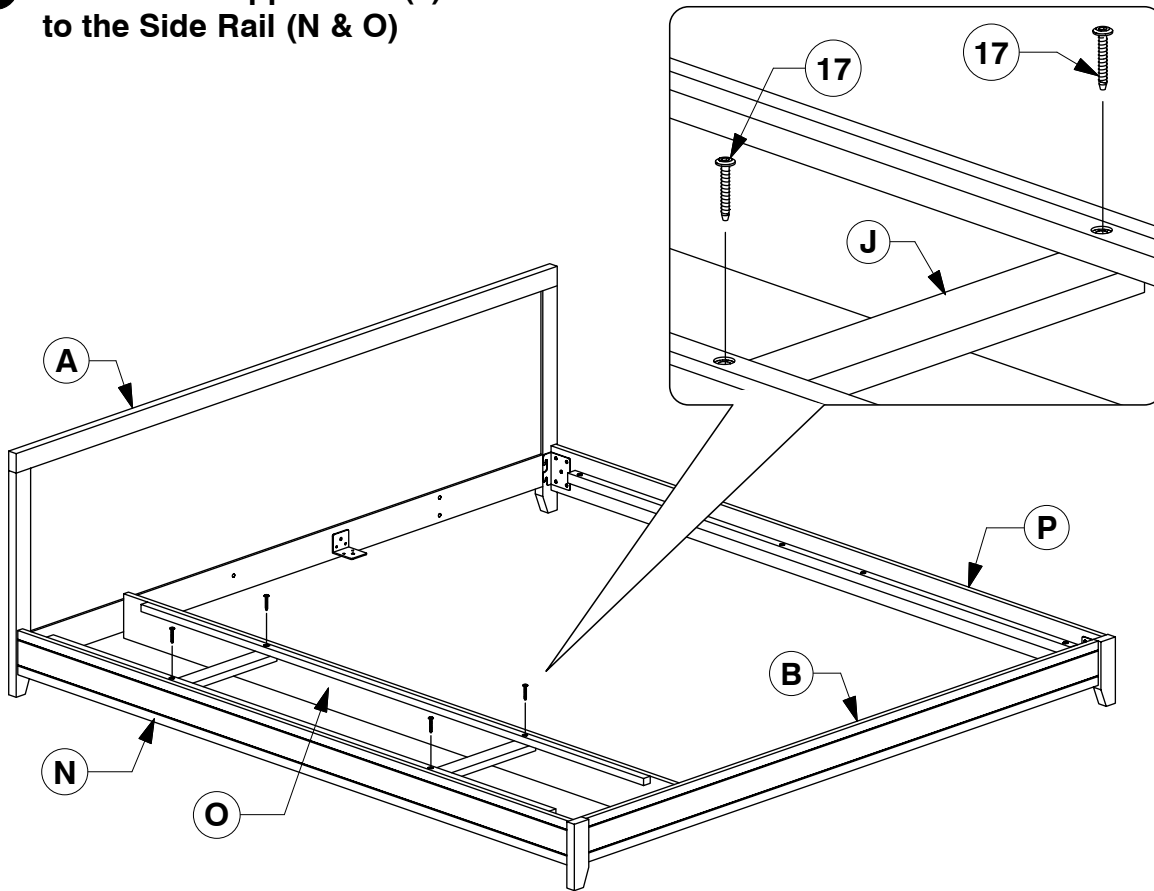


0028 Queen Bed

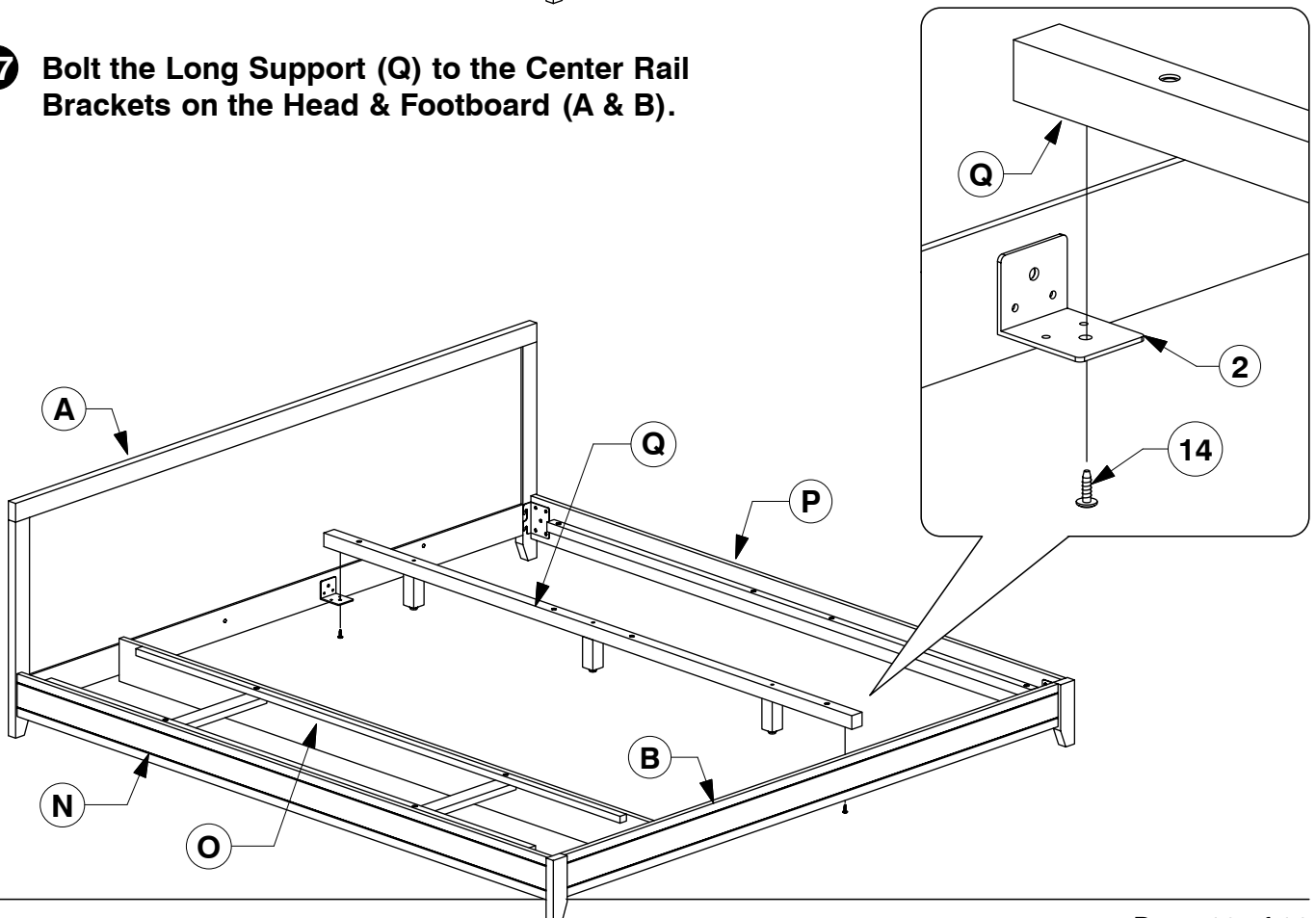
Assembly Instructions

WII-1219

- 16** Attach the Support Bar (J) to the Side Rail (N & O)



- 17** Bolt the Long Support (Q) to the Center Rail Brackets on the Head & Footboard (A & B).

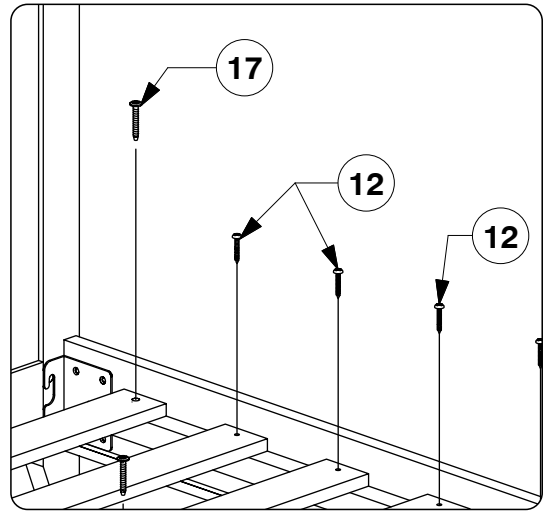
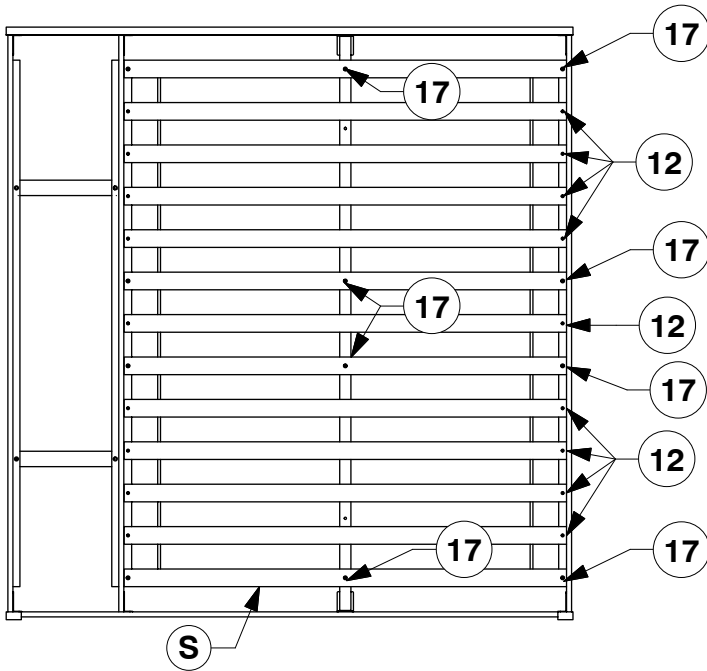


0028 Queen Bed

Assembly Instructions

WII-1219

18 Bolt & screw the Bed Slats (S) to the Side Rail.



19 Fit the Assembled Storage to the Side Rail.

