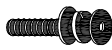




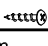



ASSEMBLY INSTRUCTIONS

MODEL : DELVIN DINING CHAIR

IMPORTANT NOTE :

- * PLACE ALL WOODEN PARTS ON A CLEAN AND SMOOTH SURFACE SUCH AS A RUG OR CARPET TO AVOID THE PARTS FROM BEING SCRATCHED.
- * BEFORE YOU BEGIN, KINDLY FOLLOW THE ASSEMBLY INSTRUCTIONS STEP BY STEP.
- * DO NOT TIGHTEN ALL SCREWS UNTIL THE CHAIR IS FULLY SET-UP.

HARDWARE LIST	
A	JCBC M6 x 25mm + S/W M6 + F/W M6 x 13mm  4PCS
B	JCBC SCREW M6 x 50mm  4PCS
C	BARREL NUT M6 x 13mm  4PCS
D	ALLEN KEY M4  1PC
E	L BRACKET  4PCS
F	PH SCREW M4 x 12mm  8PCS
G	WOOD DOWEL M8 x 25mm  2PCS

PART LIST		
1	TOP REST UP	1PC
2	TOP REST DOWN	1PC
3	FRONT STRETCHER	1PC
4	BACK STRETCHER	1PC
5	RIGHT SIDE FRAME	1PC
6	LEFT SIDE FRAME	1PC
7	CUSHION SEAT	1PC

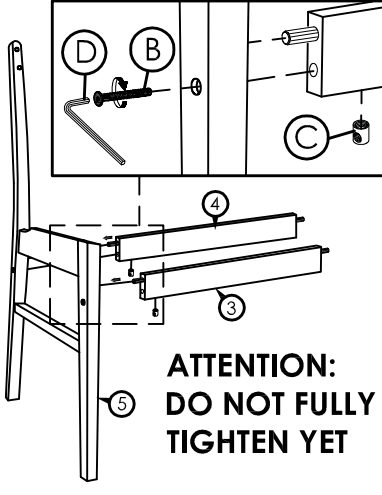
CAUTIONS :

(1) DO NOT FULLY-TIGHTEN THE NUT OR NUT BOLTS INITIALLY UNTIL ALL NUTS OR BOLT IS READY ASSEMBLED.

(TO AVOID CAUSING DAMAGES TO THE THREAD, DO NOT OVER-TIGHTEN THE NUTS OR BOLTS.)

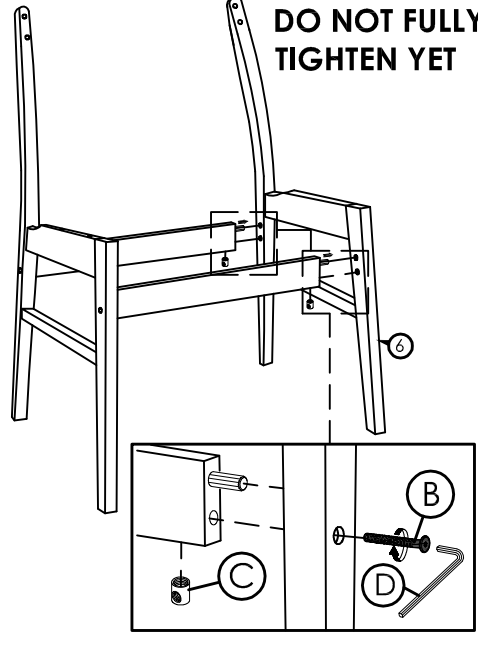
(2) KEEP ALL HARDWARE PART OUT OF REACH OF CHILDREN.

STEP 1



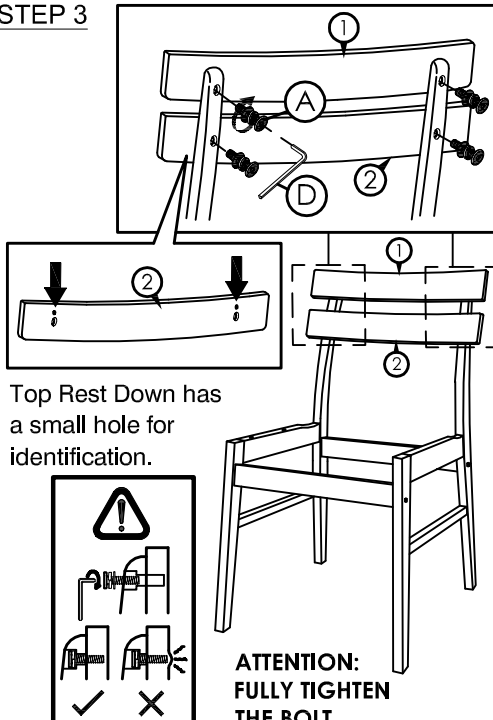
ATTENTION: DO NOT FULLY TIGHTEN YET

STEP 2



ATTENTION: DO NOT FULLY TIGHTEN YET

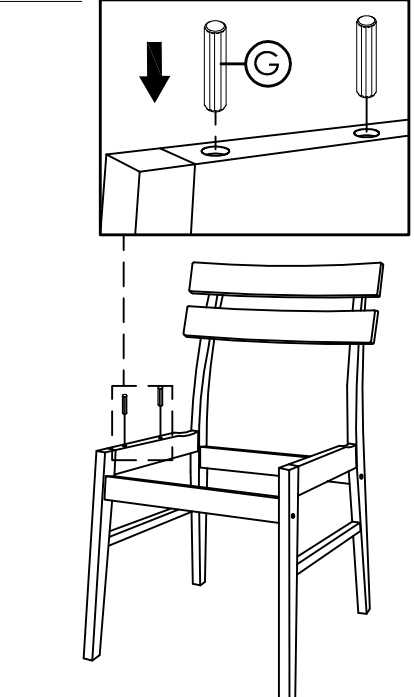
STEP 3



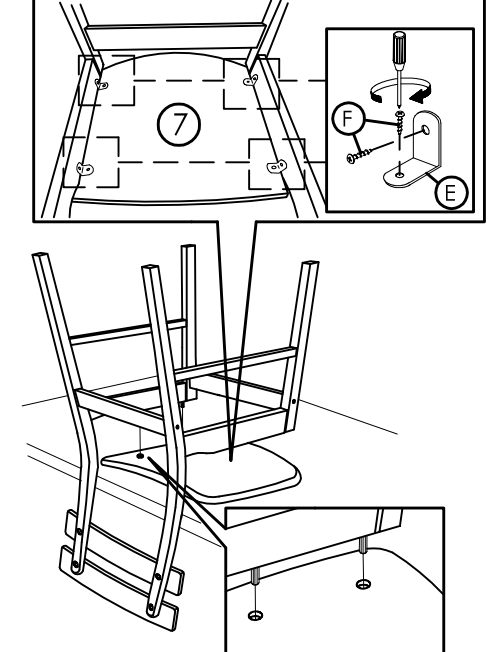
Top Rest Down has a small hole for identification.

ATTENTION: FULLY TIGHTEN THE BOLT

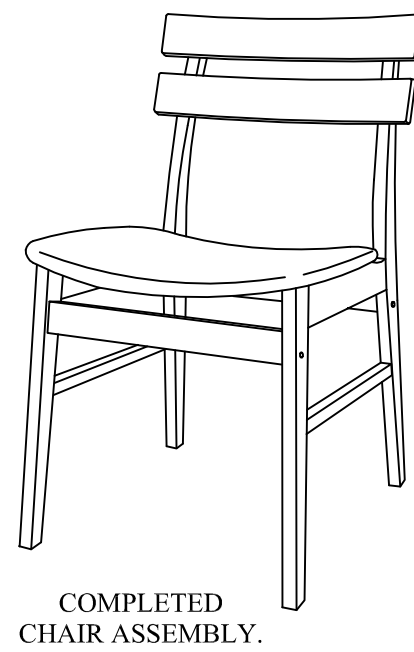
STEP 4



STEP 5



STEP 6



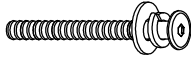

COMPLETED CHAIR ASSEMBLY.

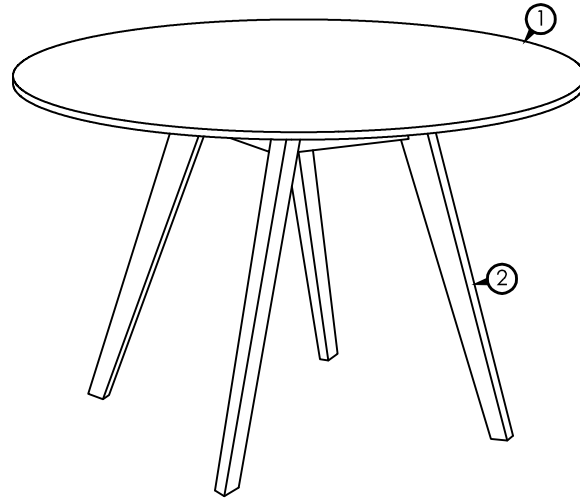
ASSEMBLY INSTRUCTIONS

MODEL : HEXA ROUND DINING TABLE

IMPORTANT NOTE :

- * PLACE ALL WOODEN PARTS ON A CLEAN AND SMOOTH SURFACE SUCH AS A RUG OR CARPET TO AVOID THE PARTS FROM BEING SCRATCHED.
- * BEFORE YOU BEGIN, KINDLY FOLLOW THE ASSEMBLY INSTRUCTIONS STEP BY STEP.

HARDWARE LIST		
A	JCBB M8 x 80mm + S/W 5/16" + F/W 5/16" x 22mm 	8PCS
B	ALLEN KEY M5 	1PC



COMPLETED TABLE ASSEMBLY.

PART LIST		
1	TABLE TOP	1PC
2	TABLE LEG	4PCS

STEP 1

