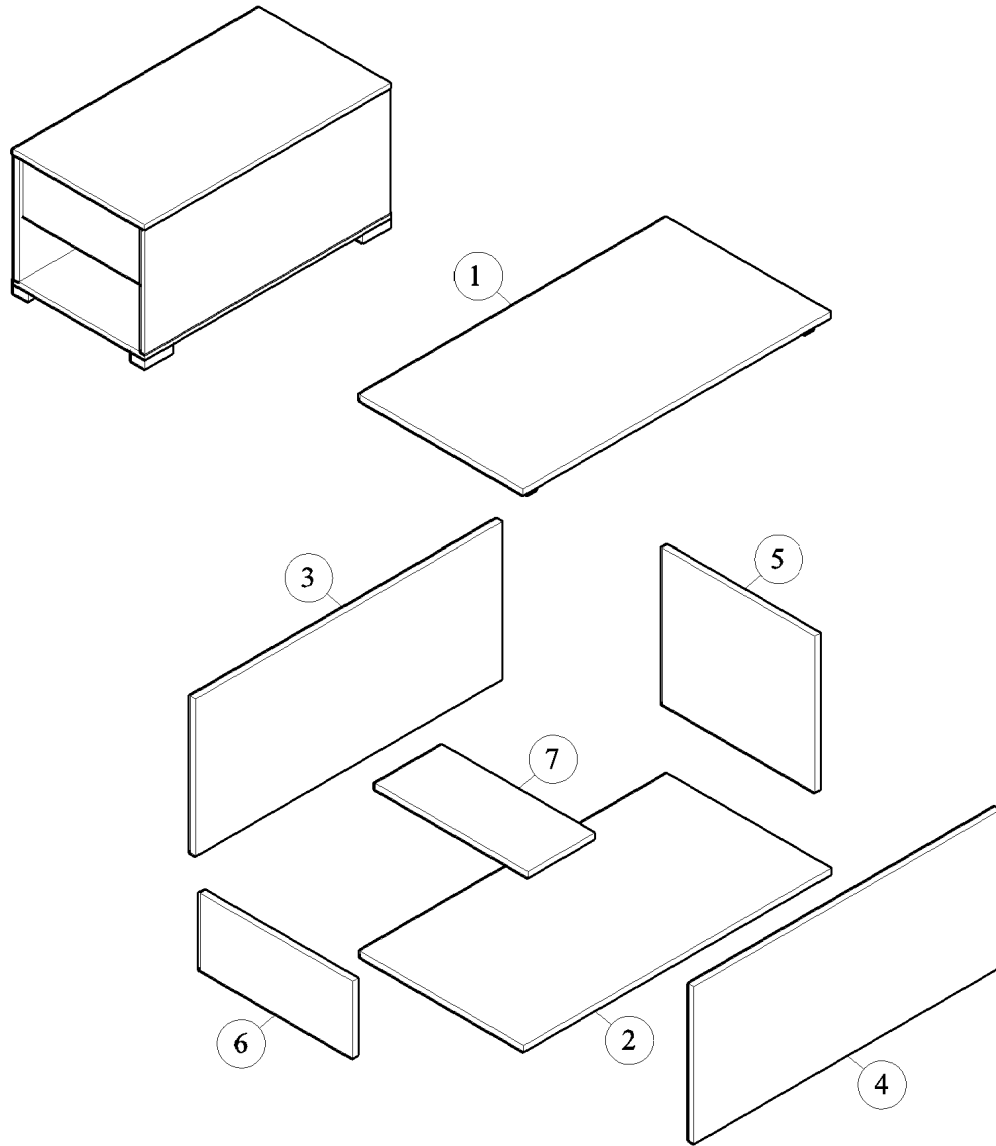






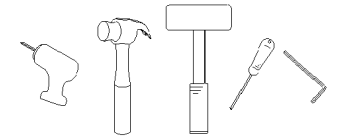
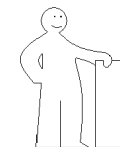
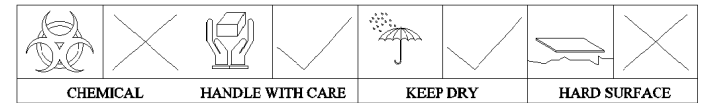


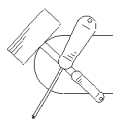
# MODEL : SE CHC 150090WI

## PANEL POSITION



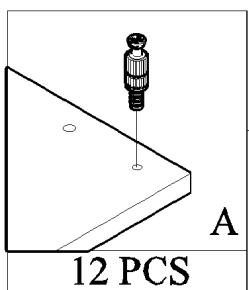
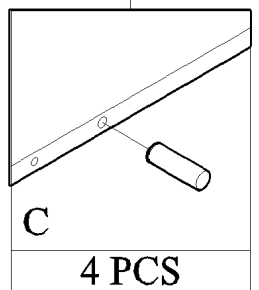
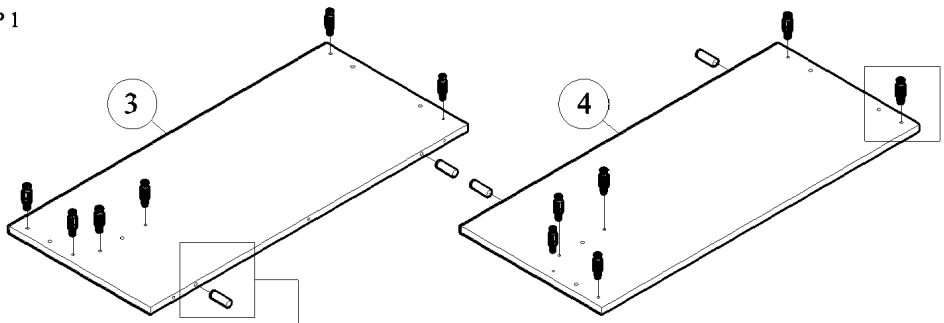
	ACCESSORIES	QUANTITY
A	 MINIFIX M5 x 24MM	12 PCS
B	 MINIFIX CASING	12 PCS
C	 WOOD DOWEL M8 x 30MM	12 PCS
D	 SCREW M6 x 50MM	6 PCS
E	 PVC LEG SCREW M4x38MM	5 PCS 10 PCS
F	 ALLEN KEY	1 PC



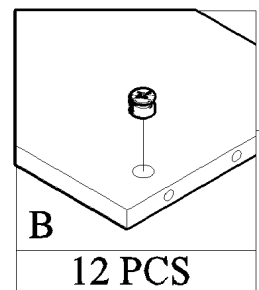
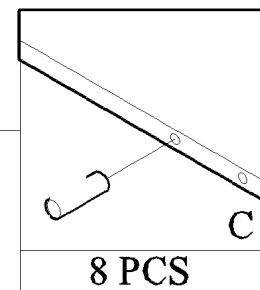
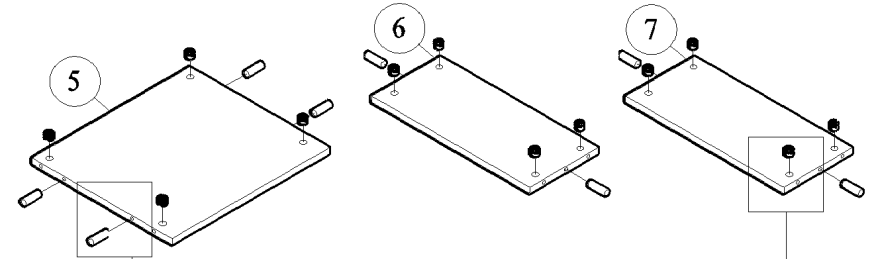


# START ASSEMBLY

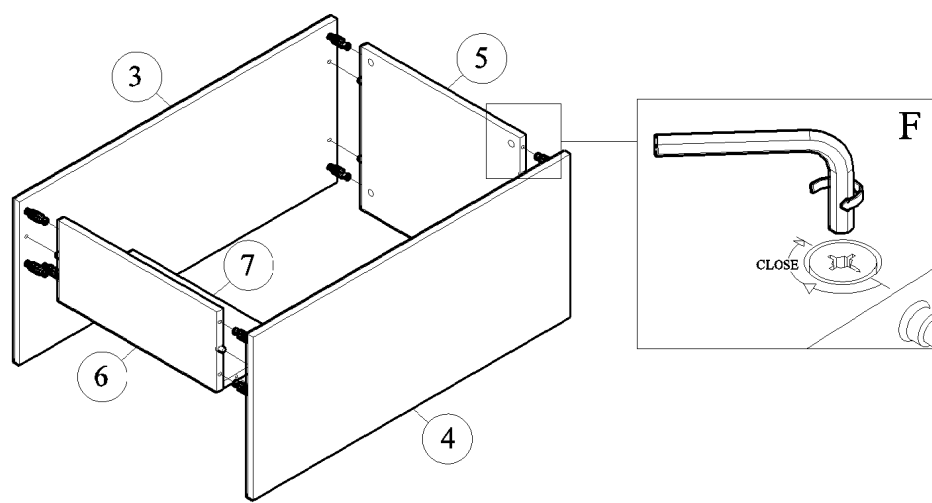
STEP 1



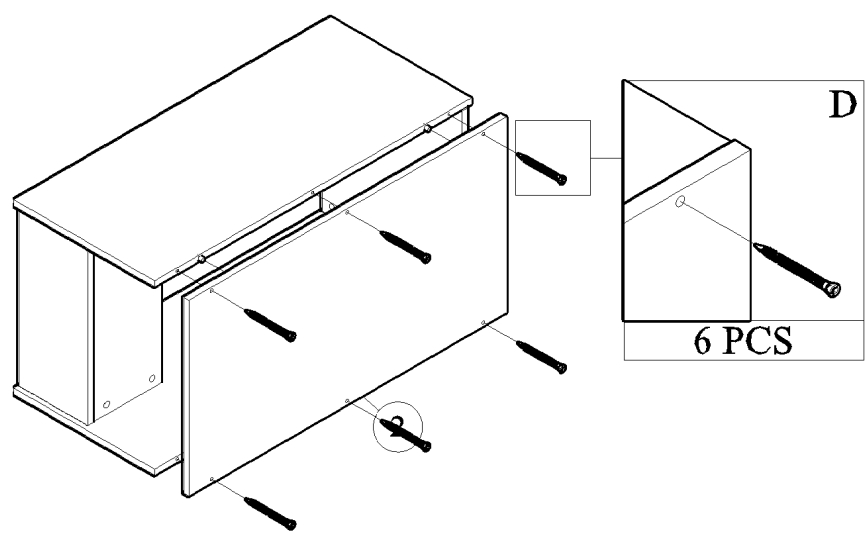
STEP 2



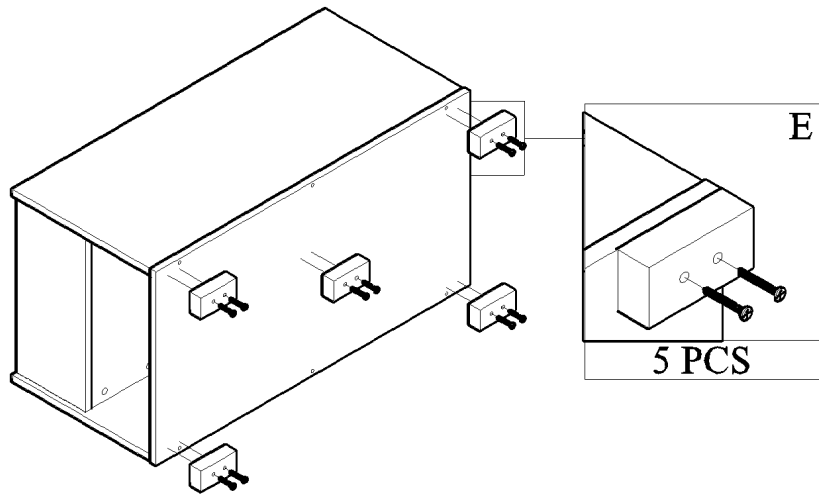
STEP 3



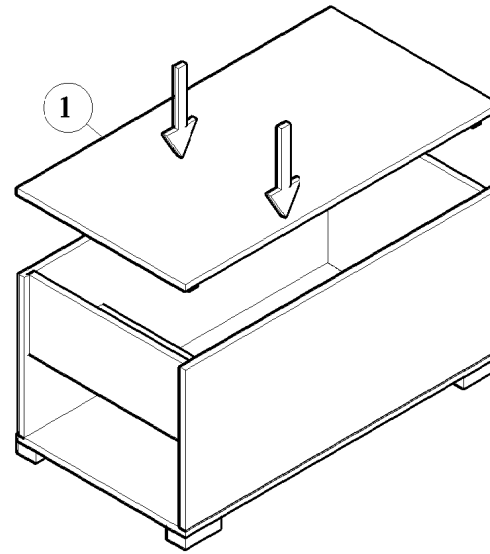
STEP 4



STEP 5



STEP 6



COMPLETED

