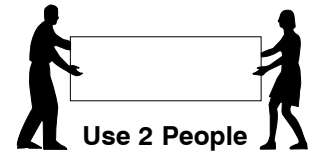
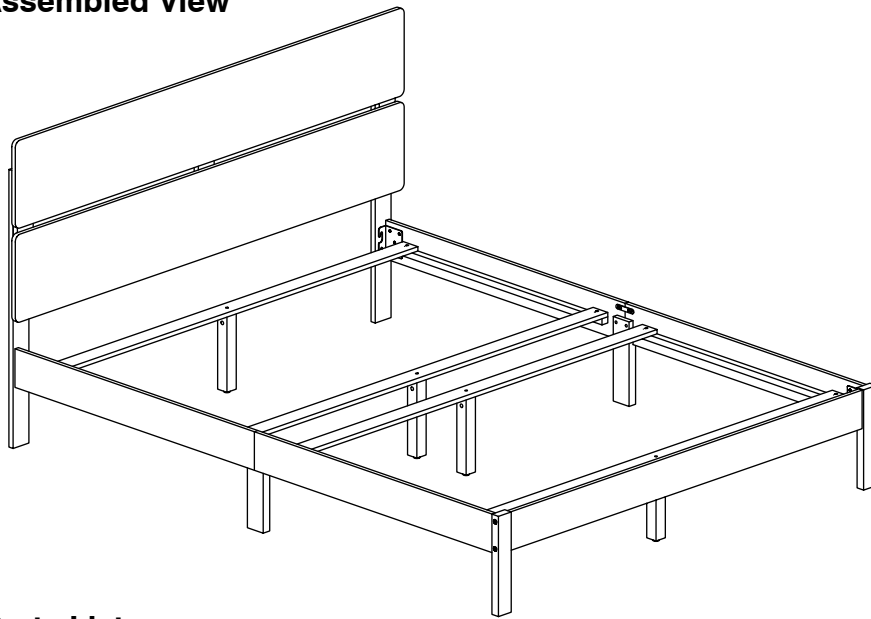


0024 Queen Bed

Assembly Instructions

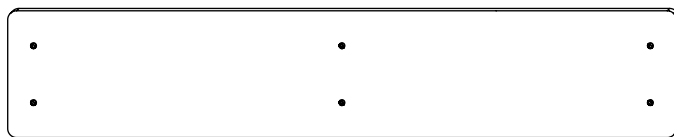
WII-1219

1 Assembled View

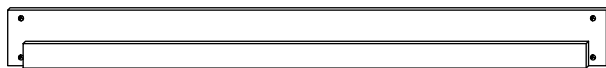


Note: Do not assemble using power tools. This can cause the bolts to be overtightened

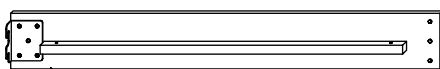
2 Parts List



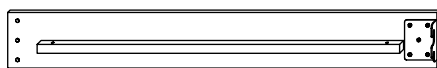
A Headboard Panel x 2



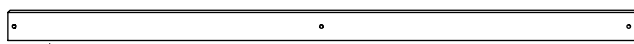
B Footboard Panel x 1



C Side Rail (Left Hand) x 2



D Side Rail (Right Hand) x 2



E Bed Slats x 4



F Headboard Support Bar x 3



G Center Support Leg x 2



H Support Leg x 4



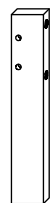
J Headboard Post (Left Hand) x 1



K Headboard Post (Right Hand) x 1



L Footboard Post (Left Hand) x 1



M Footboard Post (Right Hand) x 1

0024 Queen Bed

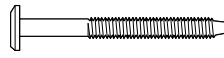
Assembly Instructions

WII-1219

3 Hardware List



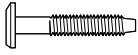
1 M6 x 90mm JCB
x 4



2 M6 x 60mm JCB
x 4



3 M6 x 40mm JCB
x 8



4 M6 x 35mm JCB
x 4



5 M6 x 30mm JCB
x 20



6 M6 x 20mm JCB
x 8



7 M6 x 15mm JCB
x 4



8 Barrel
Nut x 8



9 Wood Dowel
(M10 x 40mm) x 2



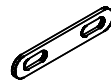
10 Spring
Washer x 24



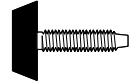
11 Flat Washer
x 24



12 Allen Key
x 1

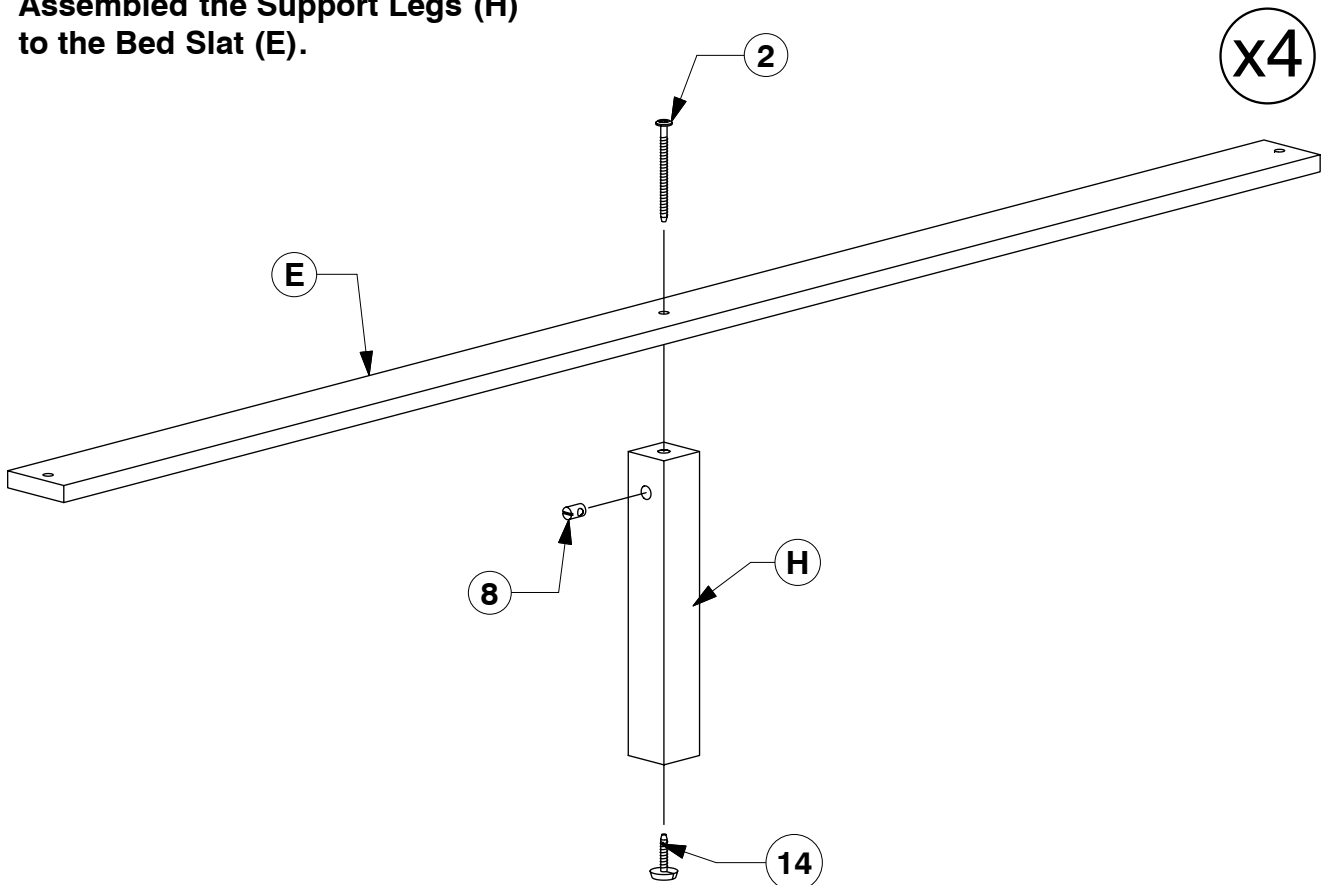


13 Bracket
(2003) x 2



14 Adjustable
Foot x 4

4 Assembled the Support Legs (H) to the Bed Slat (E).

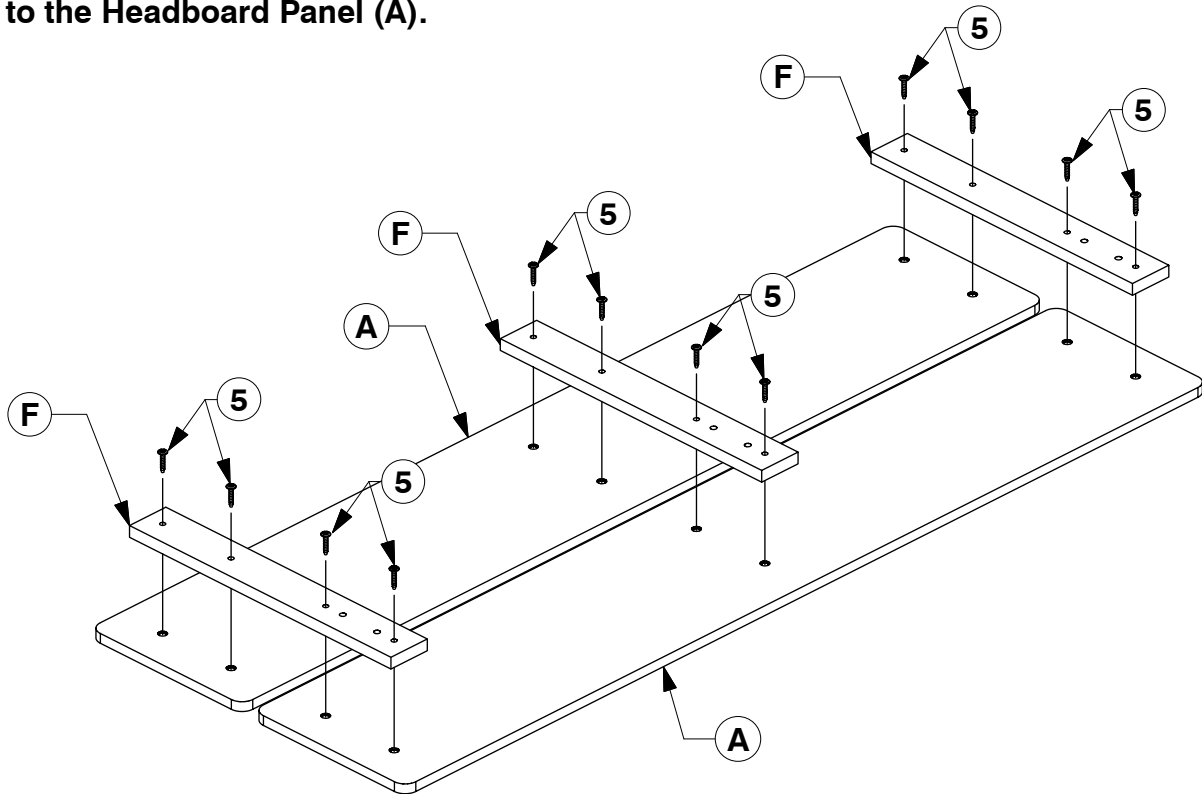


0024 Queen Bed

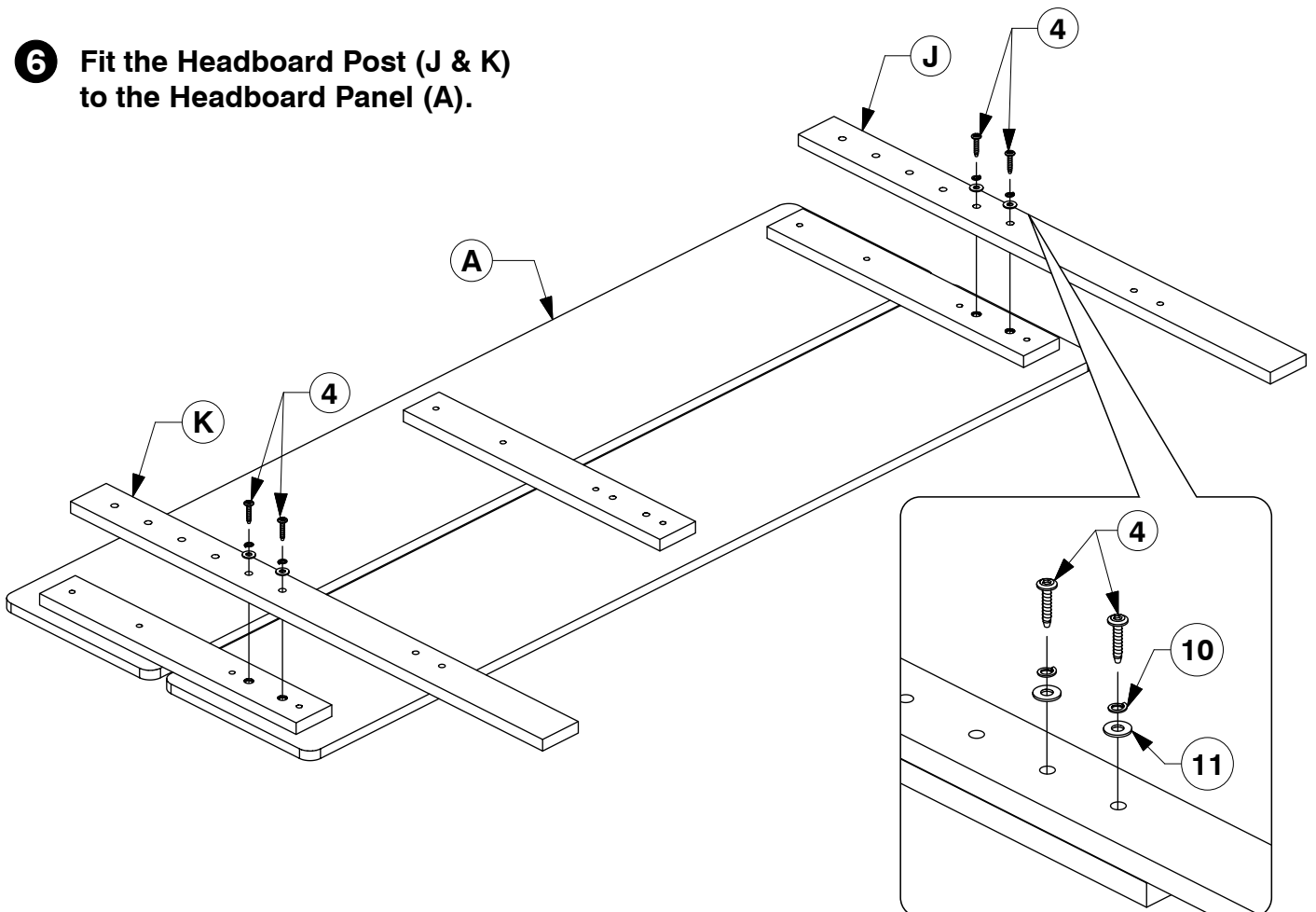
Assembly Instructions

WII-1219

- 5** Fit the Headboard Support Bar (F) to the Headboard Panel (A).



- 6** Fit the Headboard Post (J & K) to the Headboard Panel (A).

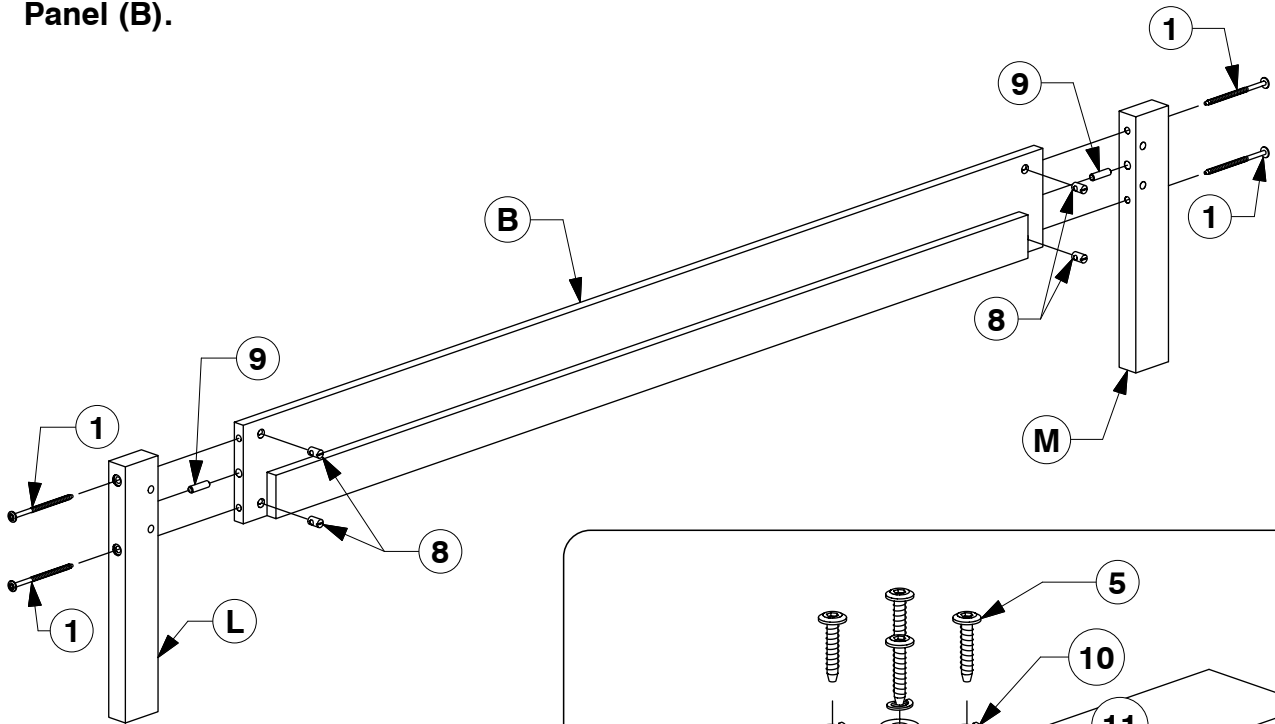


0024 Queen Bed

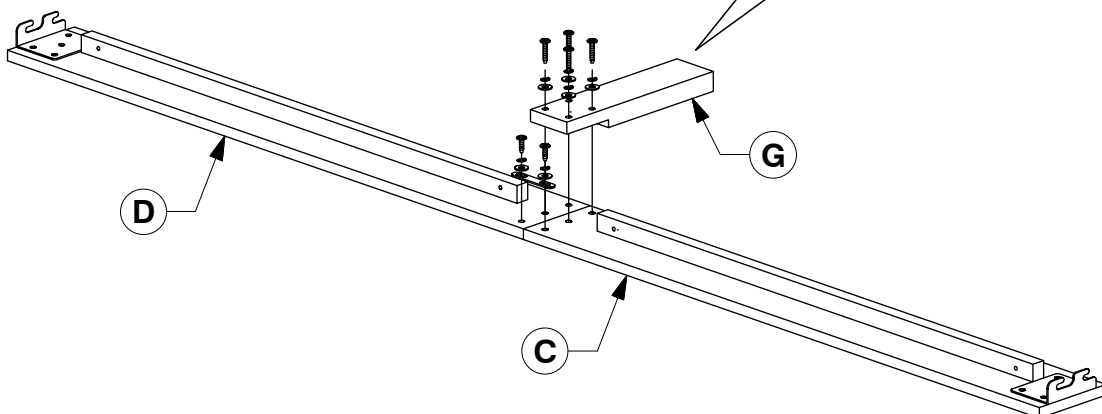
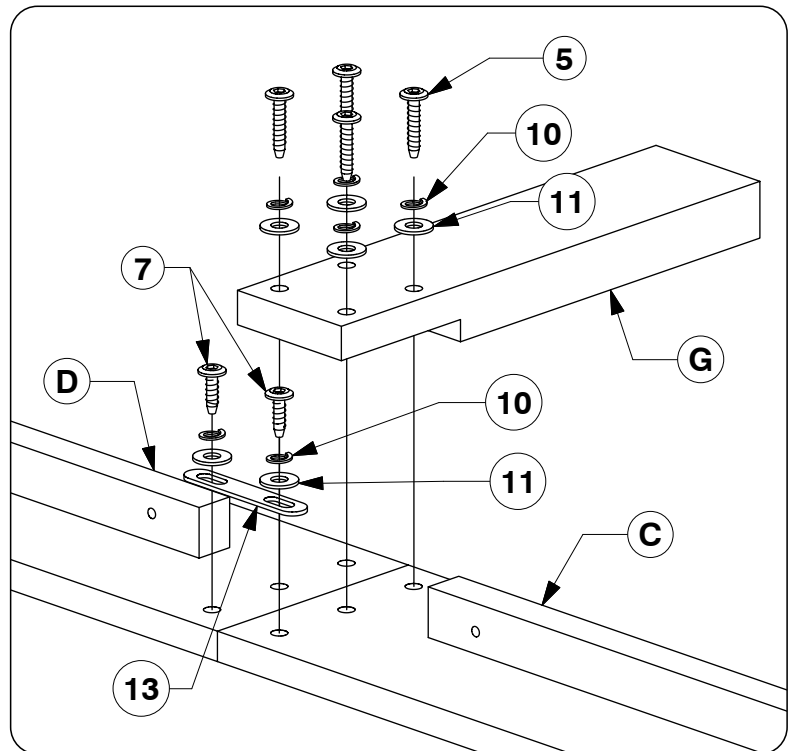
Assembly Instructions

WII-1219

- 7** Assemble the Footboard Post (L & M) to the Footboard Panel (B).



- 8** Fit the Center Support Leg (G).

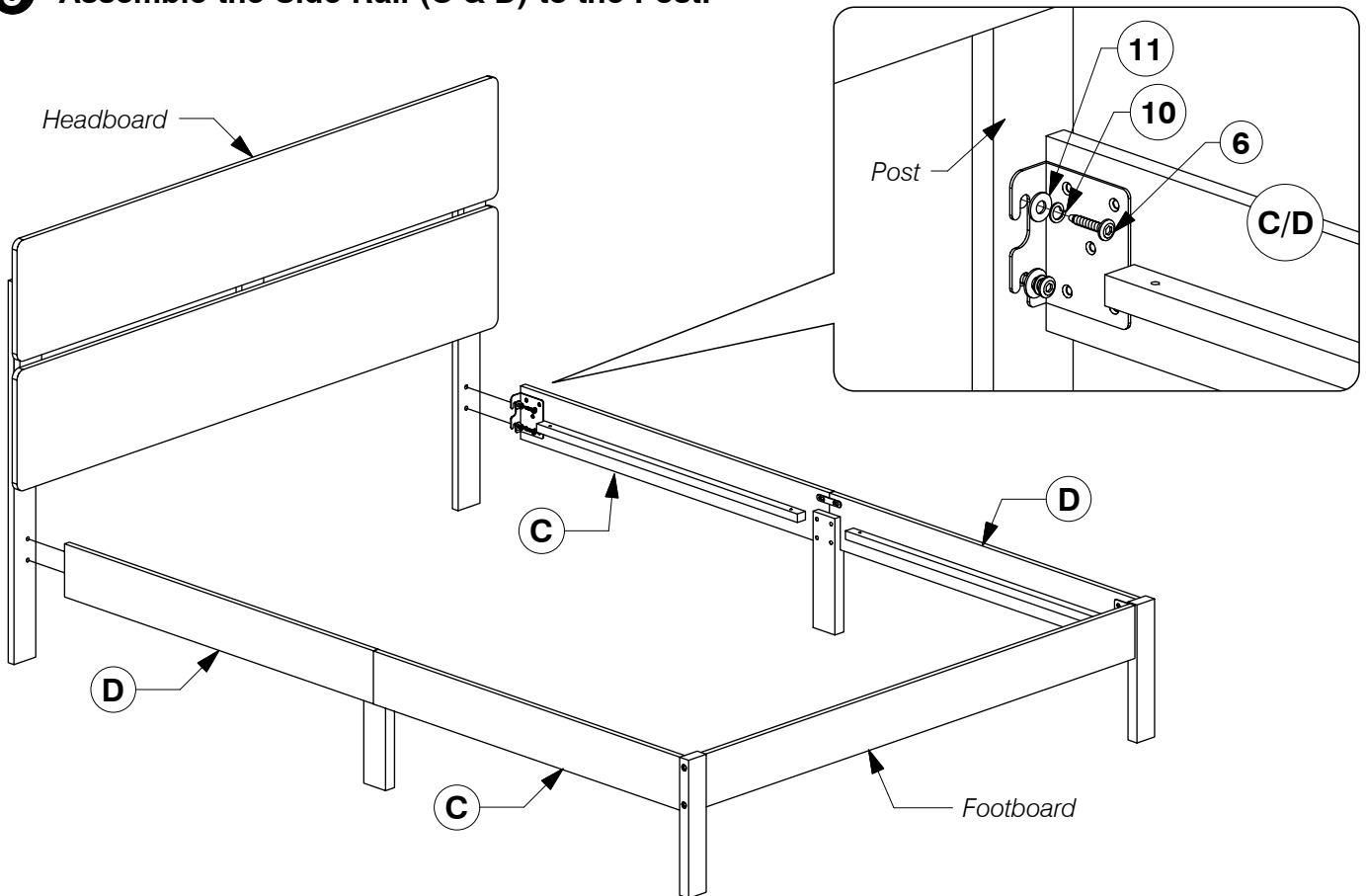


0024 Queen Bed

Assembly Instructions

WII-1219

9 Assemble the Side Rail (C & D) to the Post.



10 Bolt the Bed Slats (E) to the Side Rail (C & D).

