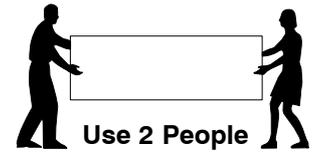
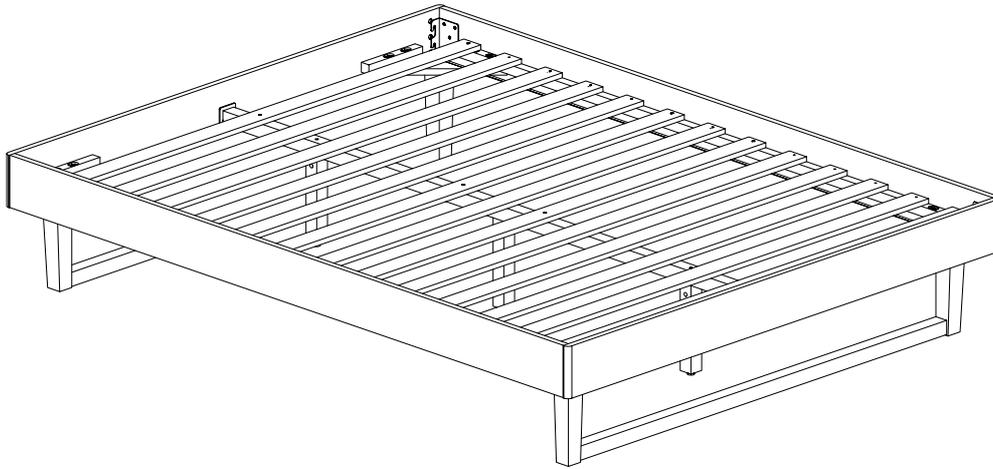


Queen Bed

Assembly Instructions

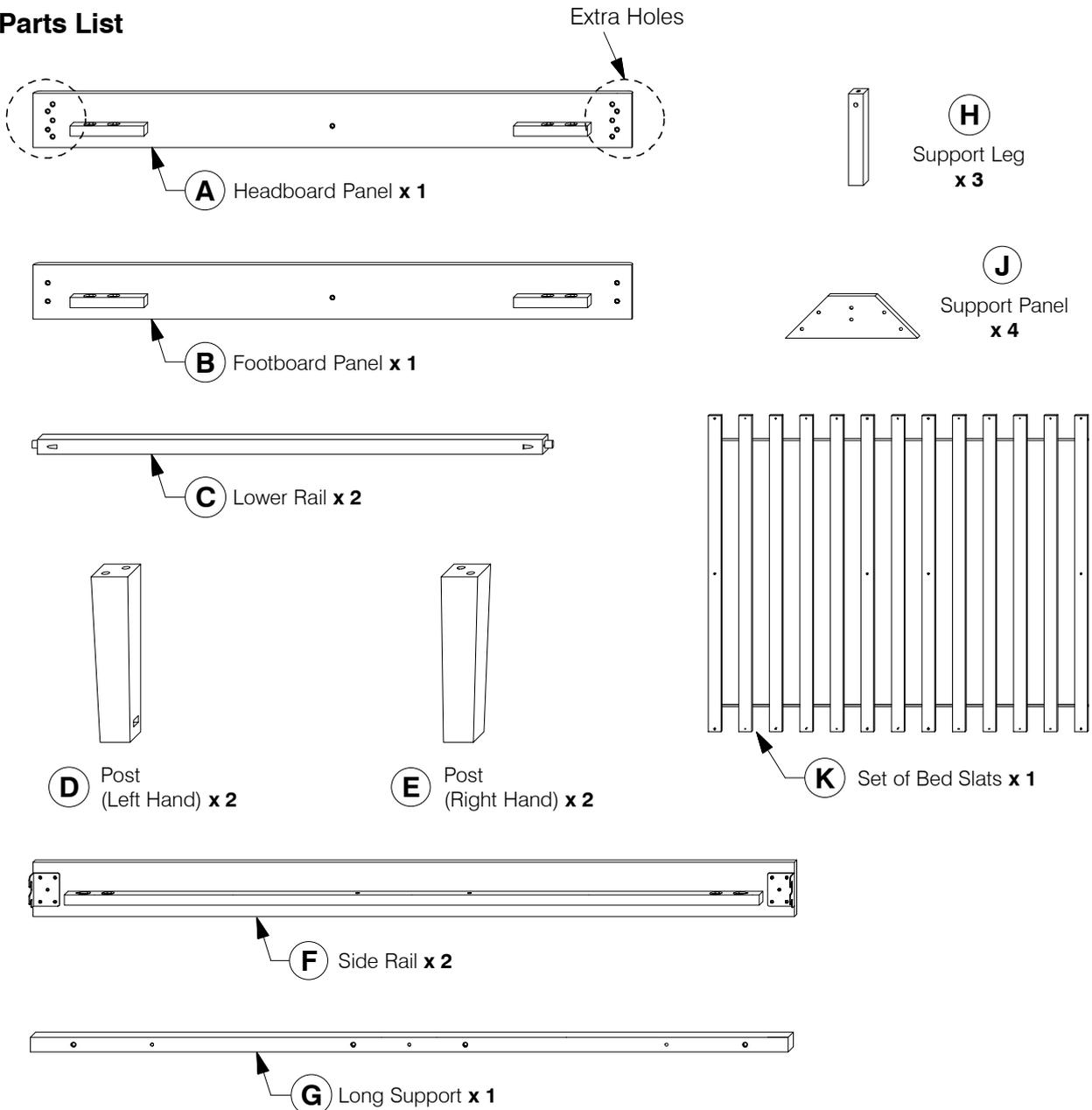
0818

1 Assembled View



Note: Do not assemble using power tools. This can cause the bolts to be overtightened

2 Parts List



Queen Bed

Assembly Instructions

0818

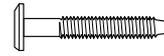
3 Hardware List



1 M6 x 90mm JCB
x 3



2 M6 x 50mm JCB
x 16



3 M6 x 40mm JCB
x 18



4 M6 x 20mm JCB
x 8



5 M6 x 15mm JCB
x 4



6 M8 x 50mm JCB
x 8



7 Barrel Nut
x 3



8 Spring Washer
x 30



9 Flat Washer
x 30



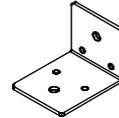
10 Wood Screw
(M4 x 32mm) x 22



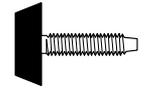
11 M4 Allen Key
x 1



12 M5 Allen Key
x 1

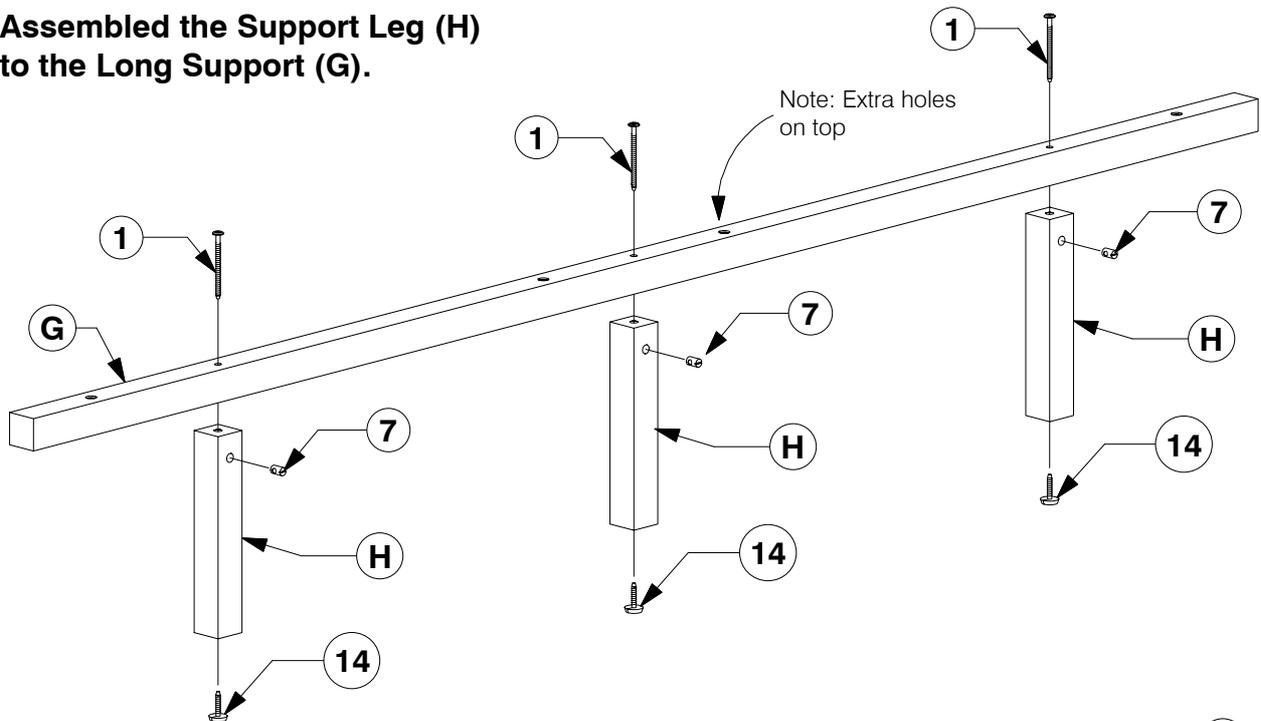


13 Center Rail
Bracket x 2

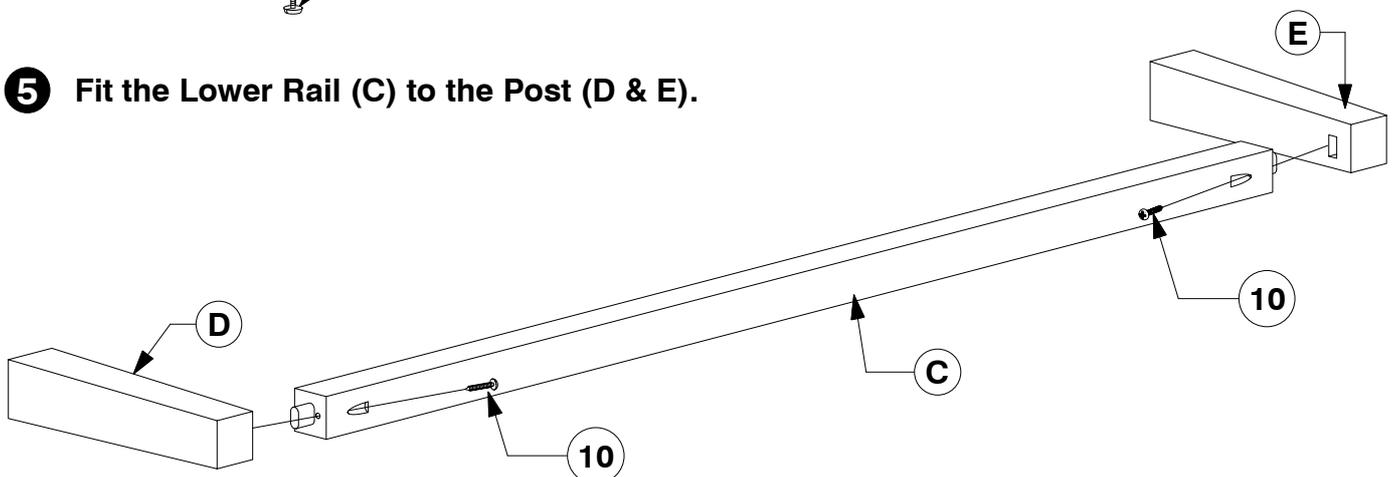


14 Adjustable
Foot x 3

4 Assembled the Support Leg (H) to the Long Support (G).



5 Fit the Lower Rail (C) to the Post (D & E).

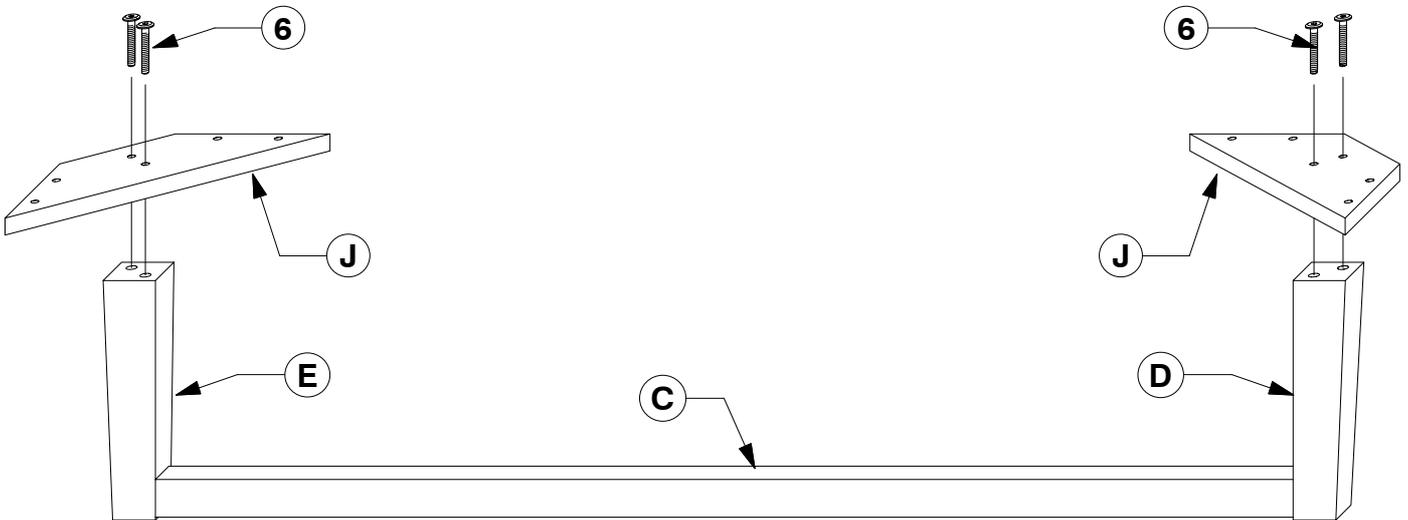


Queen Bed

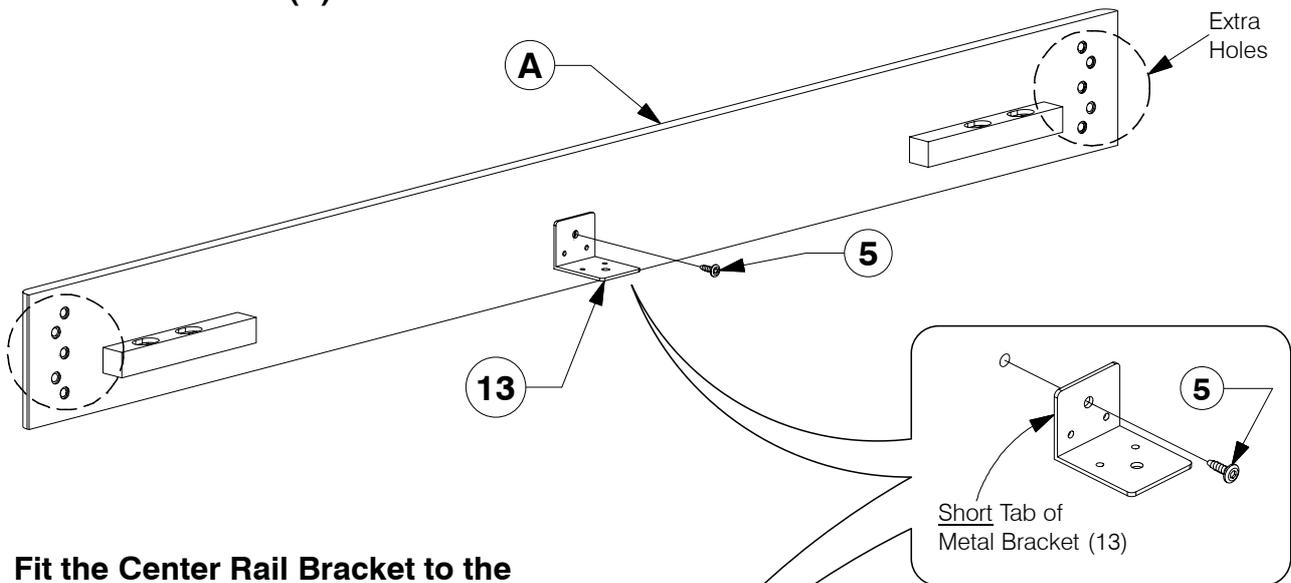
Assembly Instructions

0818

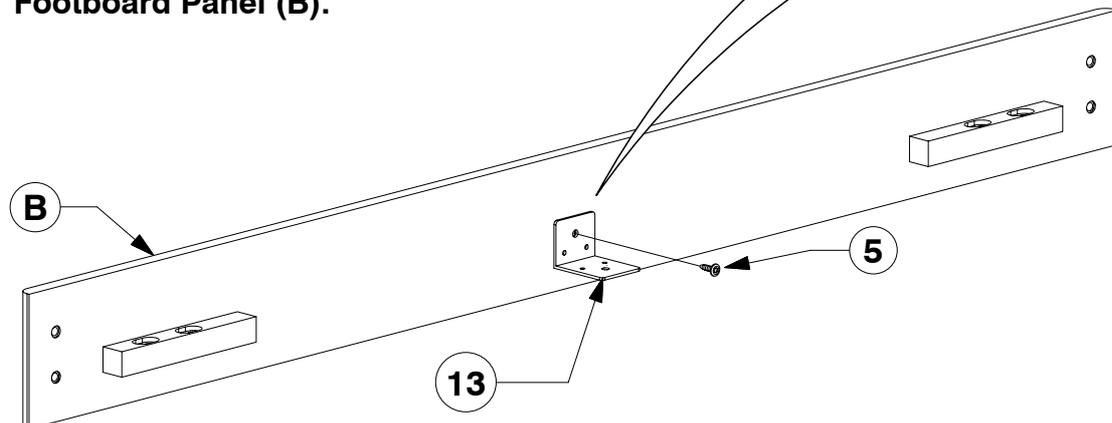
- 6** Assemble the assembled Post (D & E) & Lower Rail (C) to the Support Panel (J).



- 7** Fit the Center Rail Bracket to the Headboard Panel (A).



- 8** Fit the Center Rail Bracket to the Footboard Panel (B).

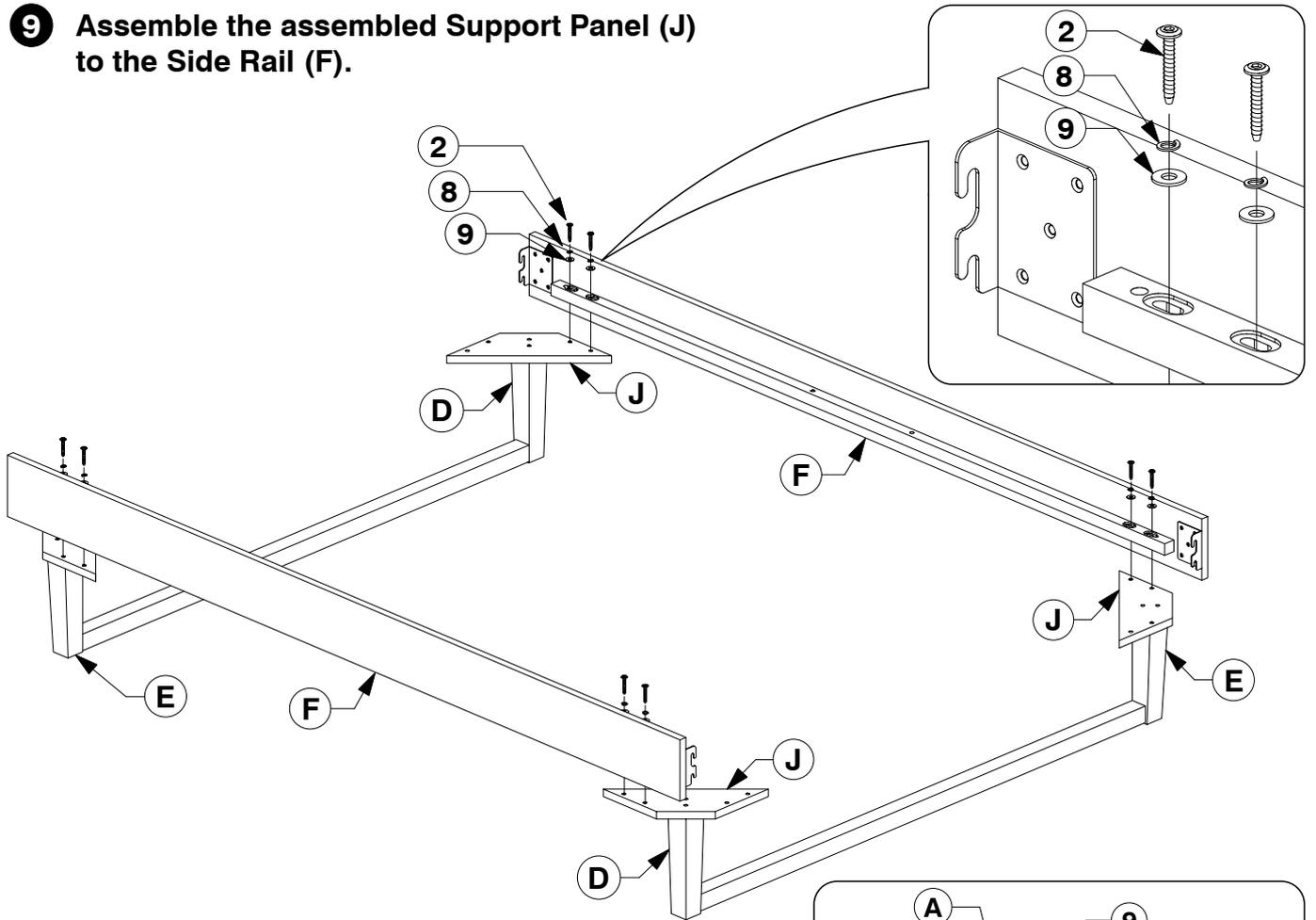


Queen Bed

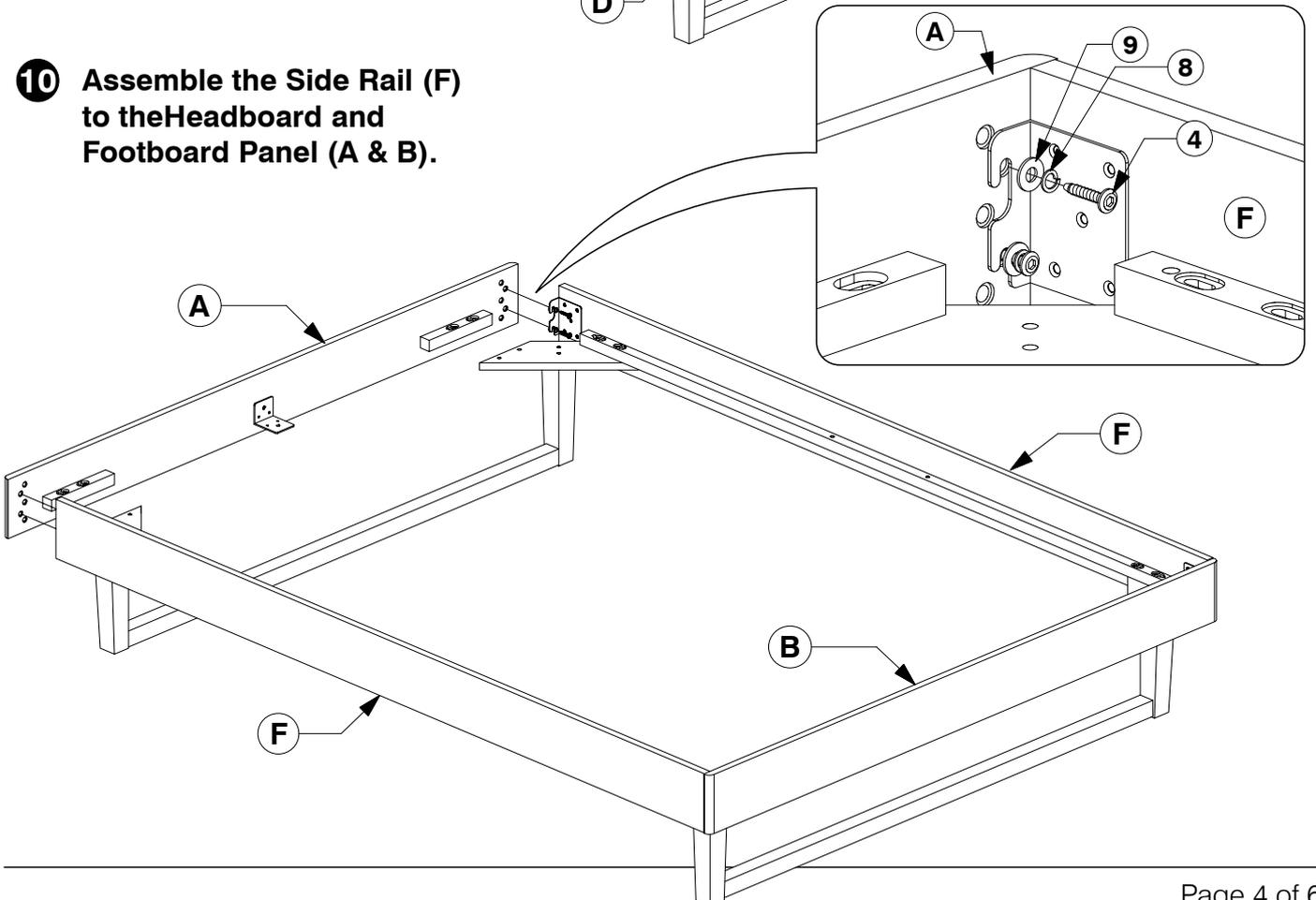
Assembly Instructions

0818

- 9** Assemble the assembled Support Panel (J) to the Side Rail (F).



- 10** Assemble the Side Rail (F) to the Headboard and Footboard Panel (A & B).

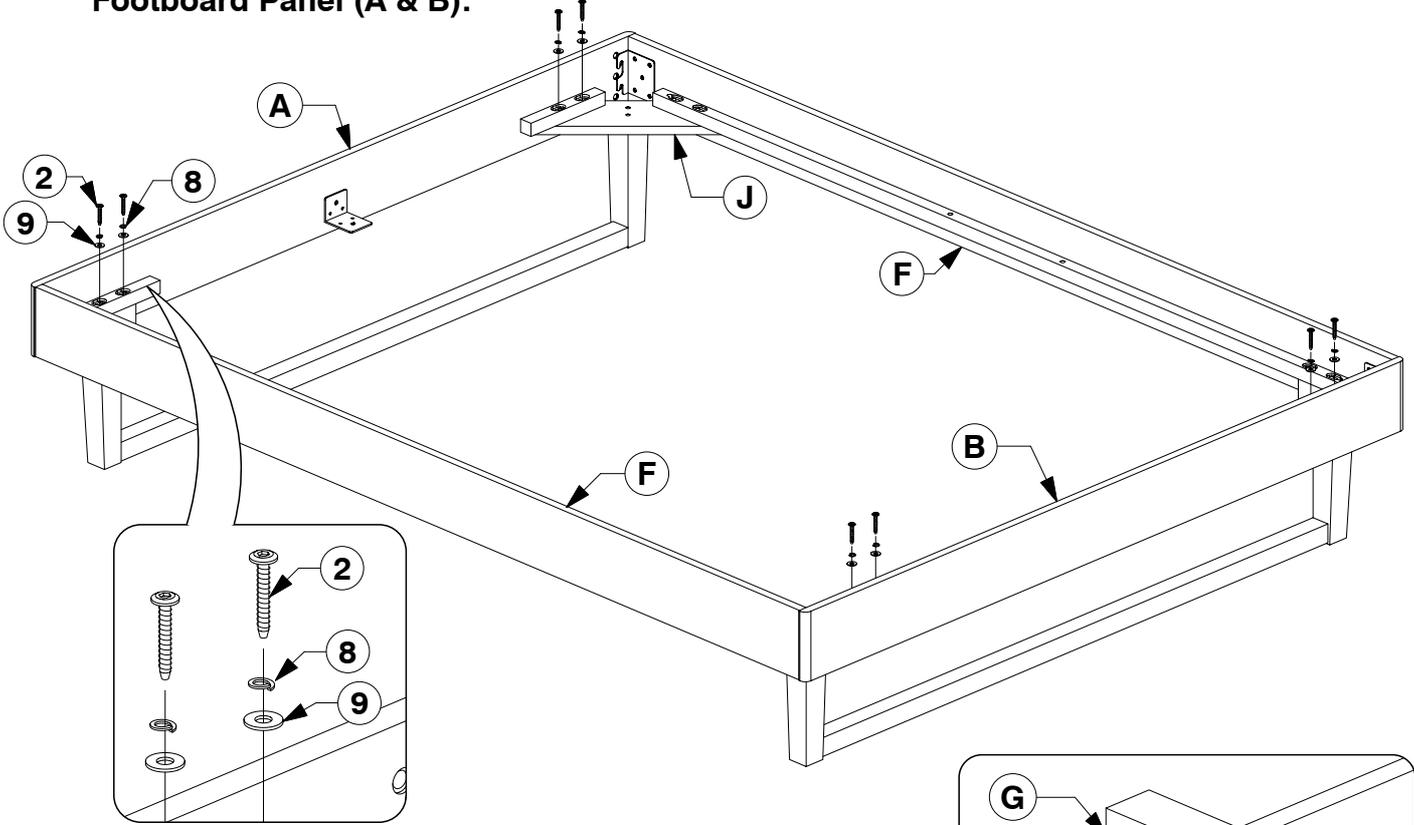


Queen Bed

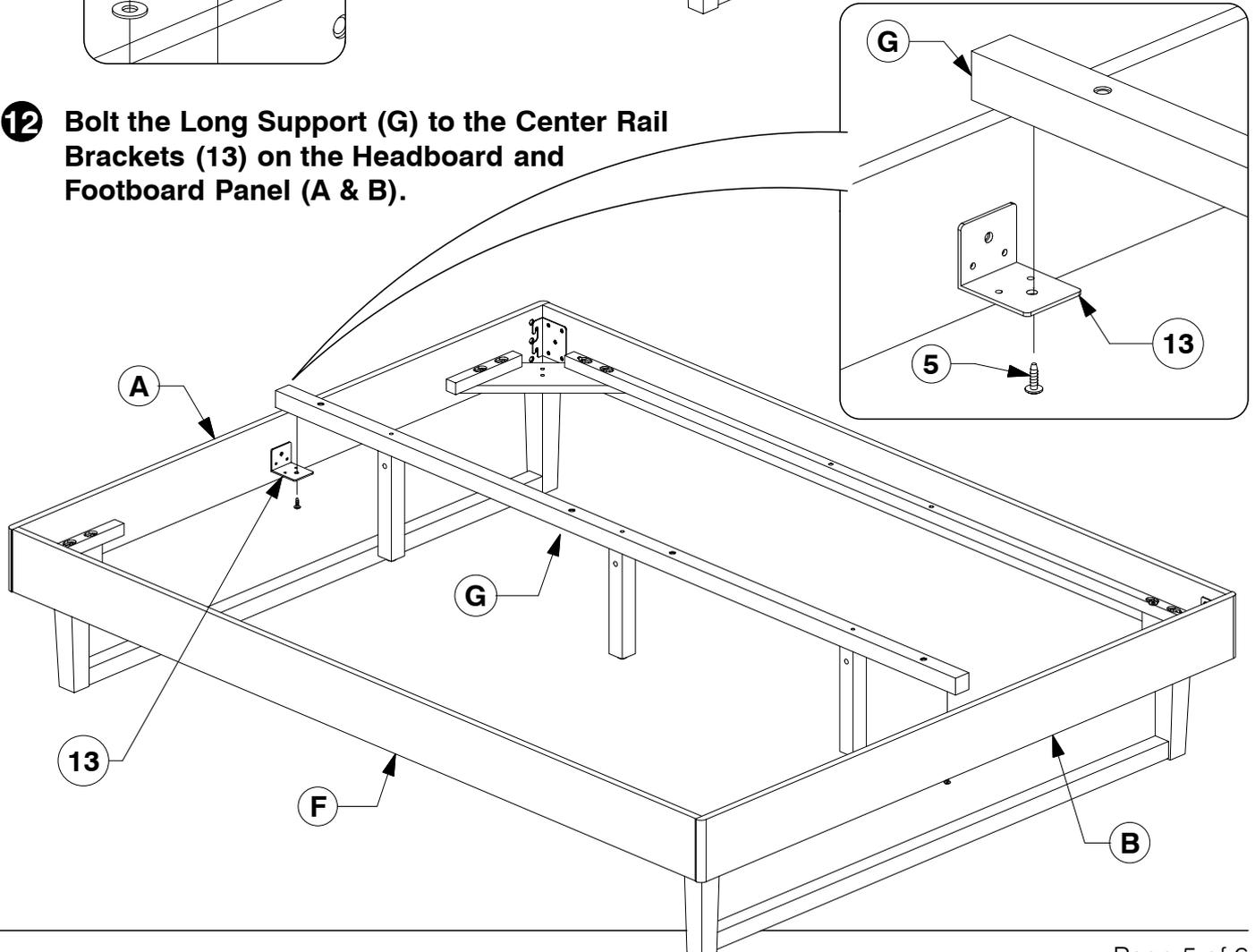
Assembly Instructions

0818

- 11** Bolt the Support Panel (J) to the Headboard and Footboard Panel (A & B).



- 12** Bolt the Long Support (G) to the Center Rail Brackets (13) on the Headboard and Footboard Panel (A & B).

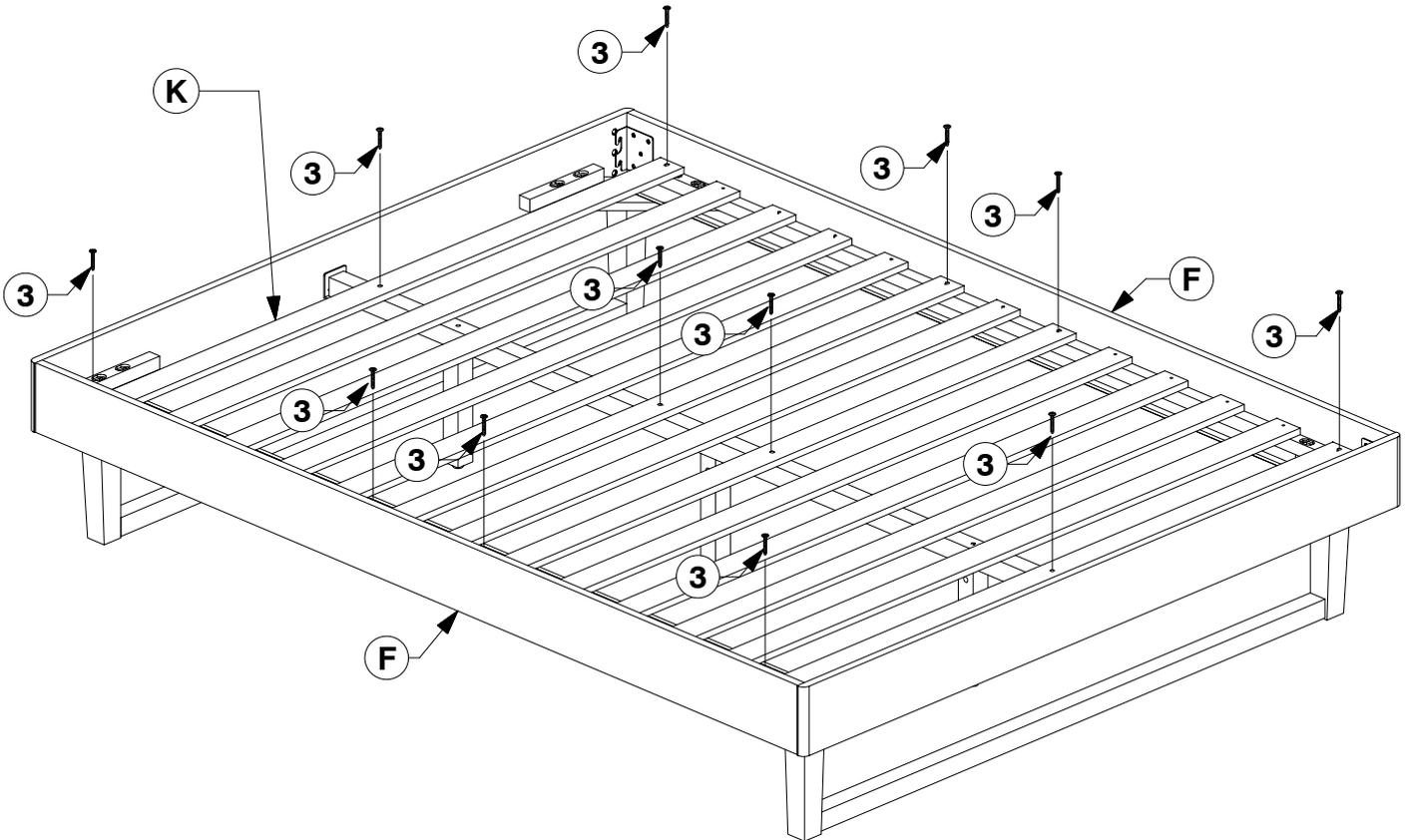


Queen Bed

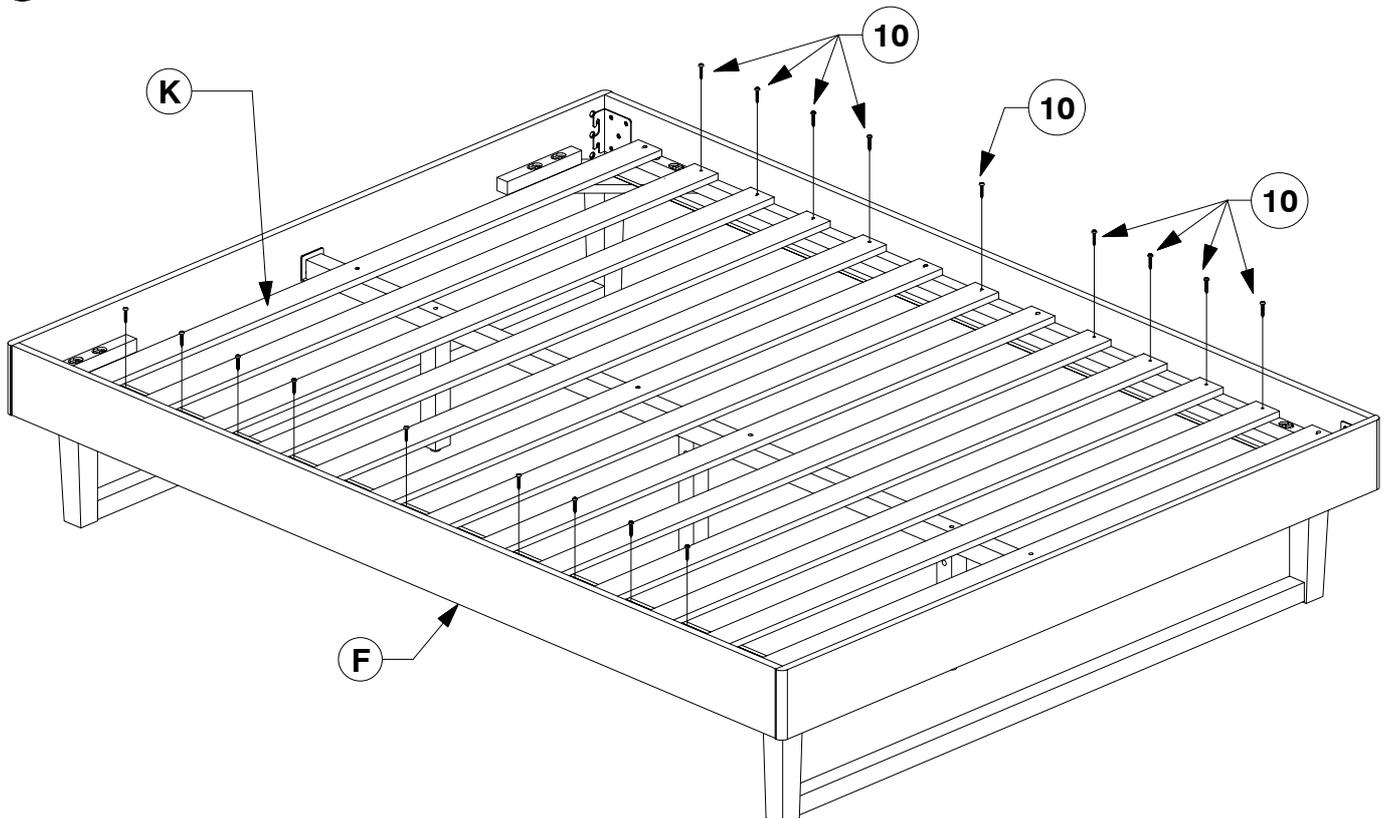
Assembly Instructions

0818

13 Bolt the Bed Slats (K) to the Side Rail (F).



14 Screw the Bed Slats (K) to the Side Rail (F).

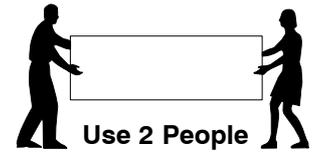
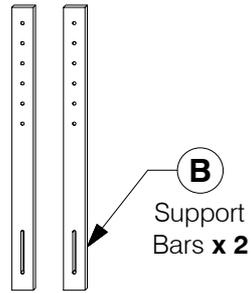
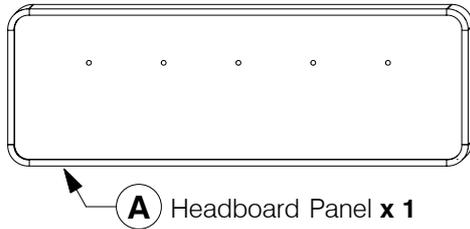


Queen Headboard

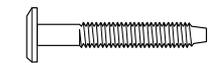
Assembly Instructions

0818

1 Parts List



2 Hardware List



1 M6 x 35mm JCB x 4



2 Spring Washer x 4



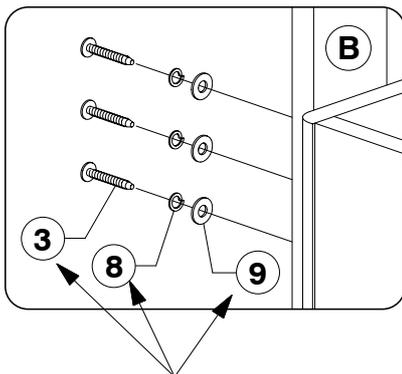
3 Flat Washer x 4



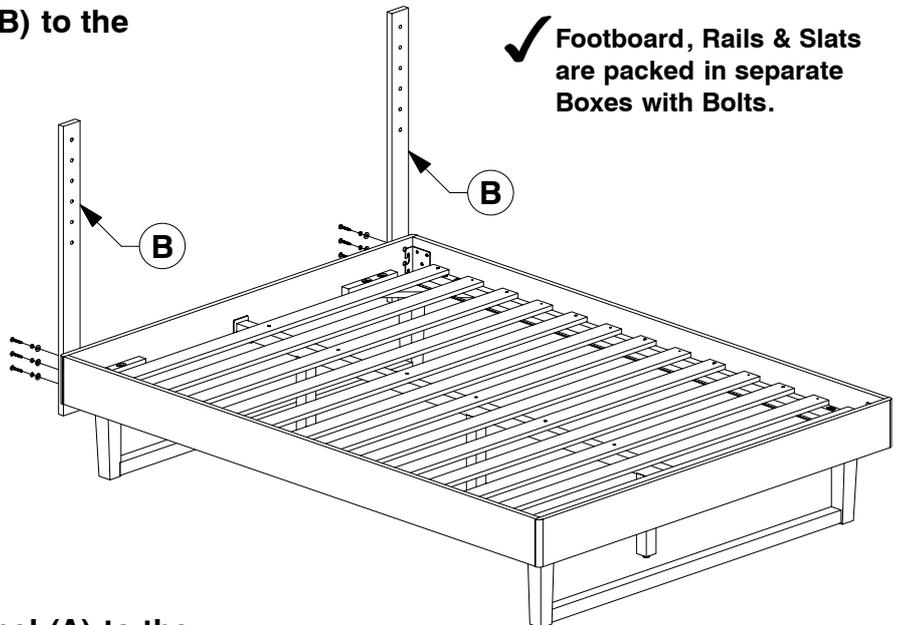
4 Allen Key x 1

Note: Do not assemble using power tools. This can cause the bolts to be overtightened

3 Assemble the Support Bars (B) to the Headboard Panel.



Note: Bolts & Washers from Footboard, Rails & Slats Box.



4 Assemble the Headboard Panel (A) to the Support Bars (B).

