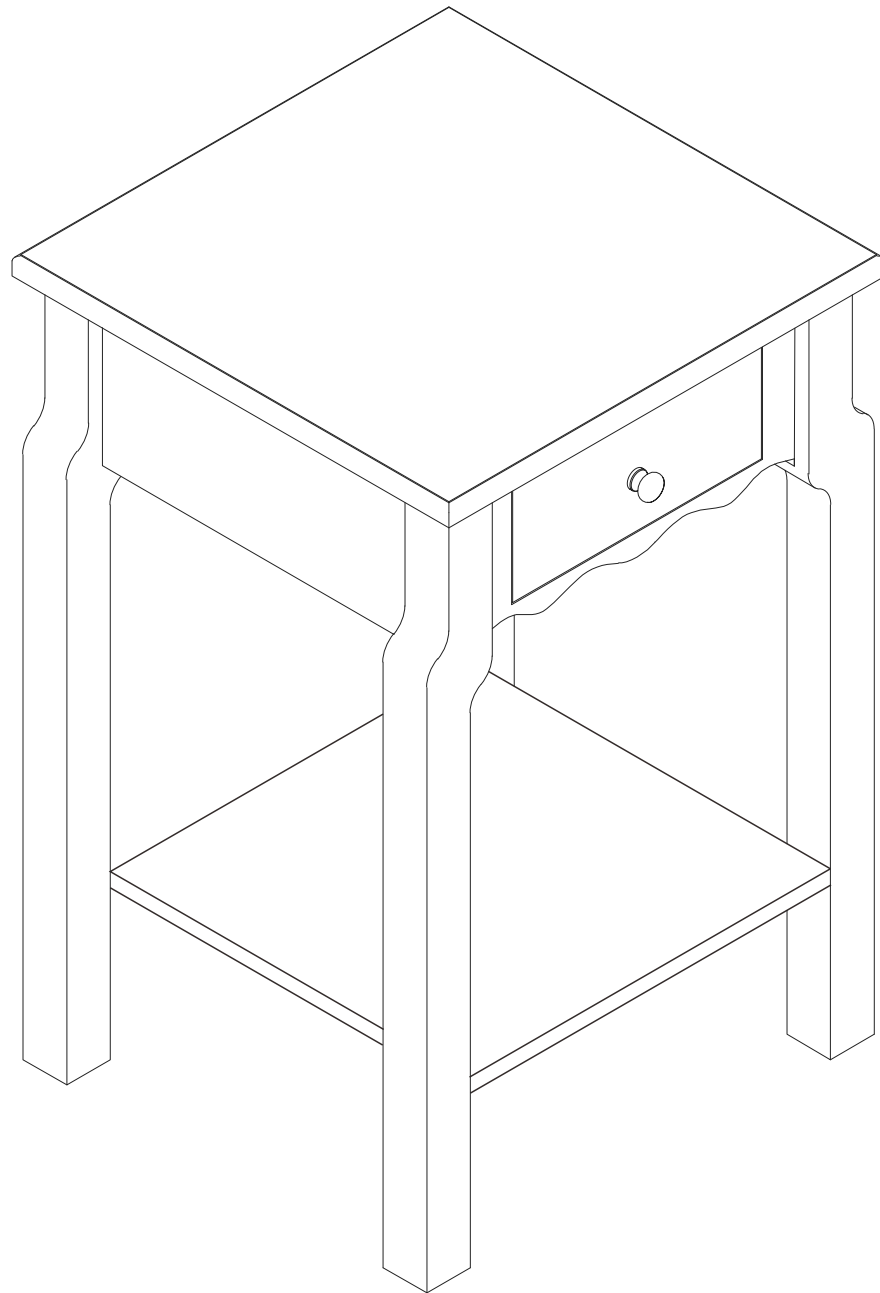
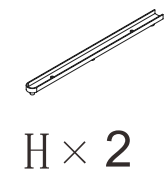
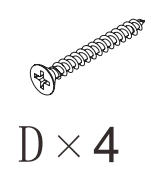
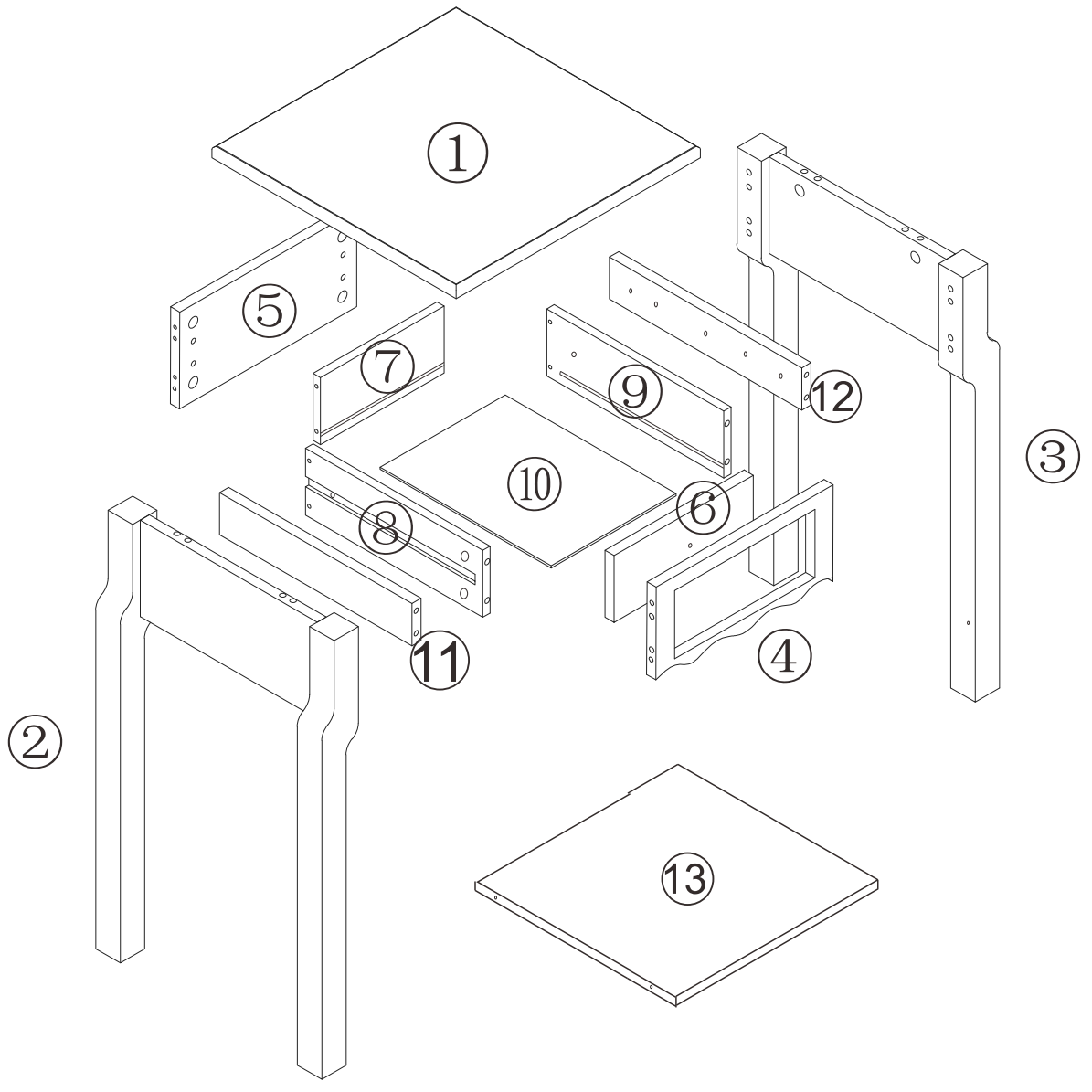
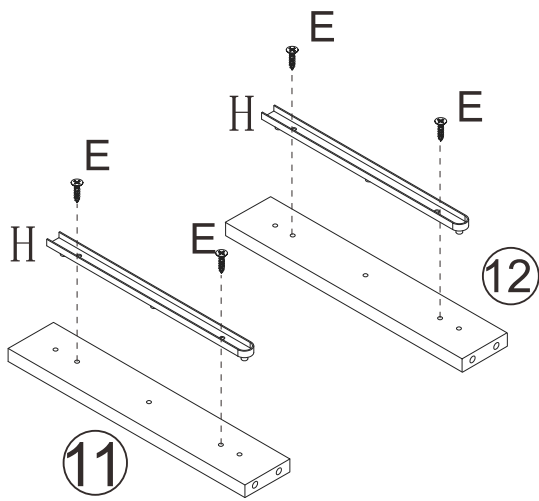


WI9043/9044/9045



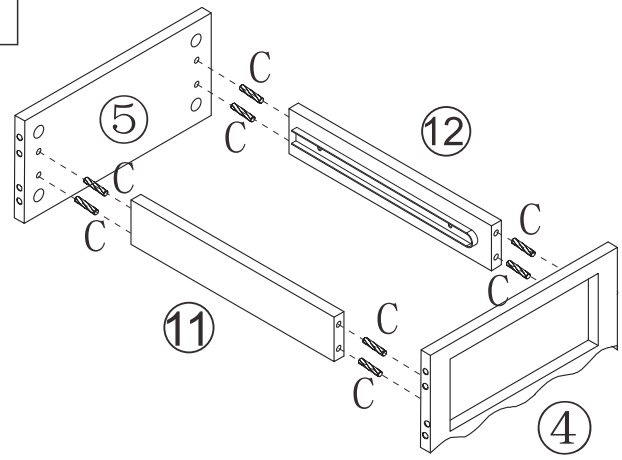


1



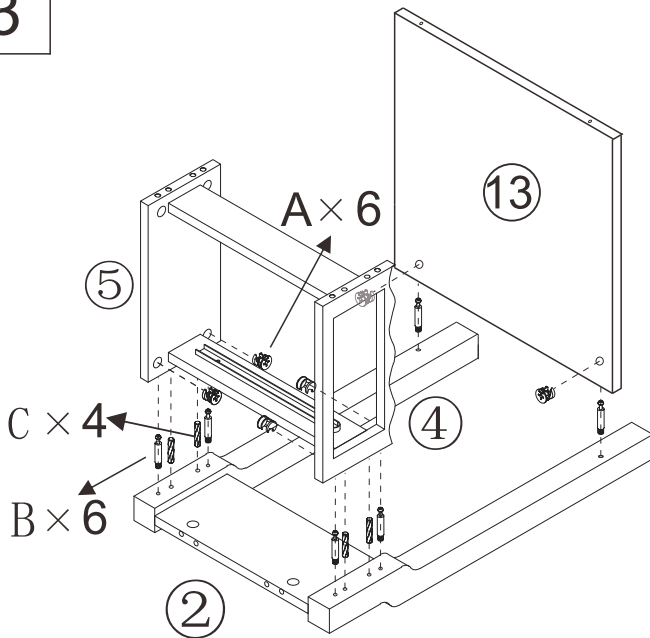
Fix the H part to the 11 part with the hardware E.

2



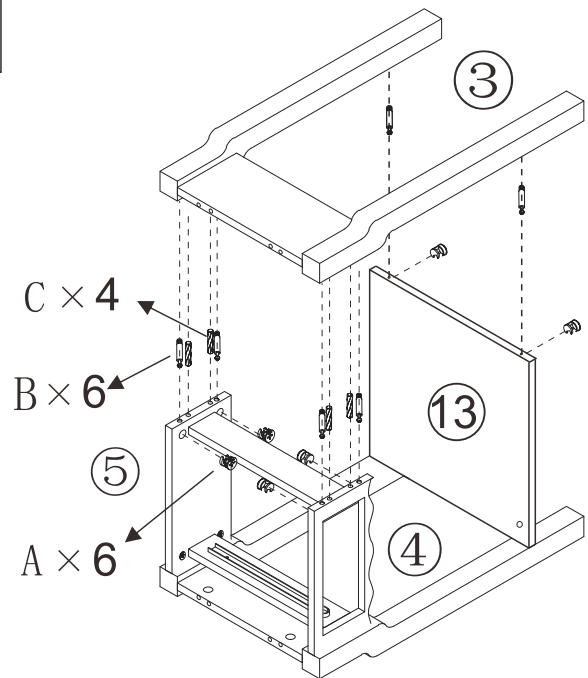
Fix the 11/12 part to the 4/5 part with the hardware C.

3



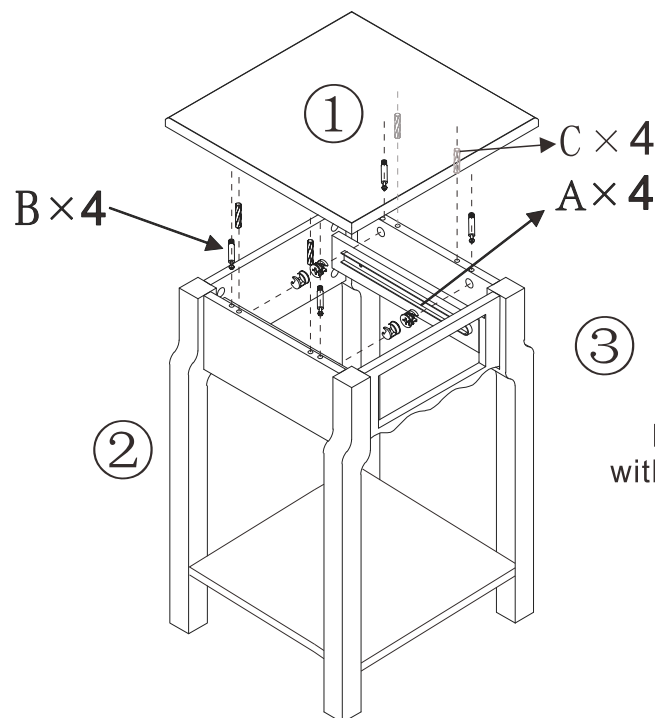
Fix the 4/5/13 part to the 2 part with the hardware A/B/C.

4



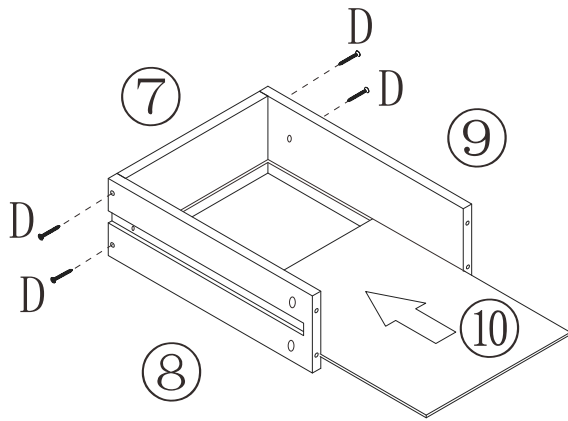
Fix the 3 part to the 4/5/13 part with the hardware A/B/C.

5



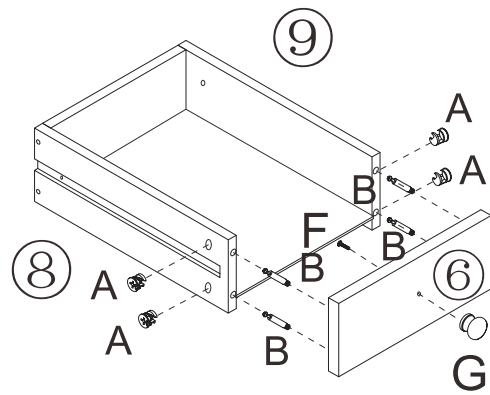
Fix the 1 part to the 2/3 part with the hardware A/B/C.

6



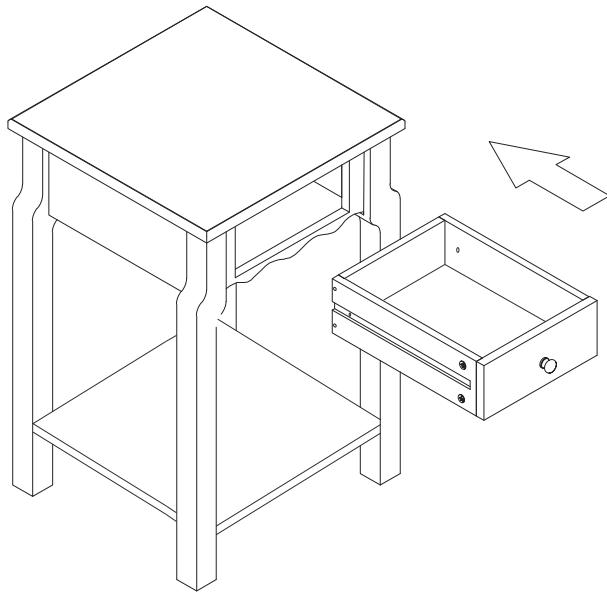
Fix the 8/9 part to the 7 part with the hardware D.

7



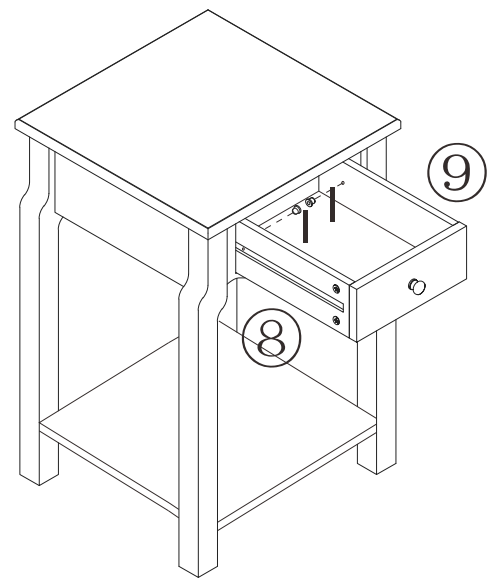
Fix the 6 part to the 8/9 part with the hardware A/B.  
Fix the G part to the 6 part with the hardware F.

8



Put the drawer in.

9



Fix hardware I to 8 / 9.

