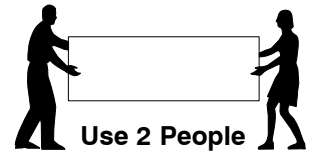
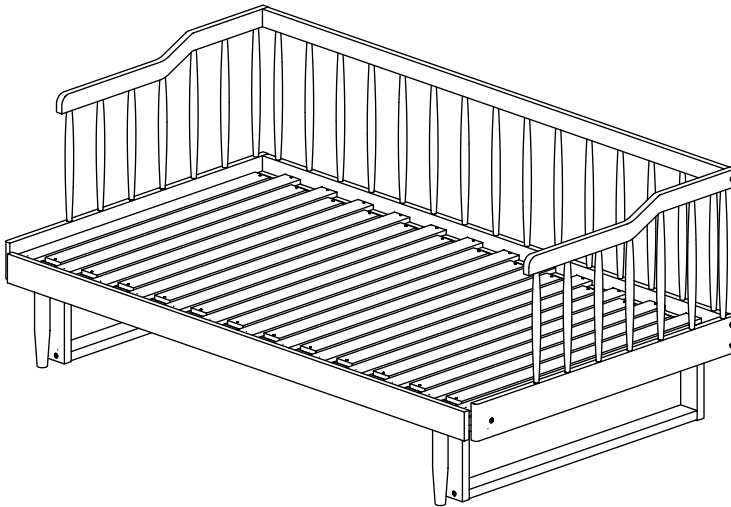


0037 Daybed

Assembly Instructions

WII-1119

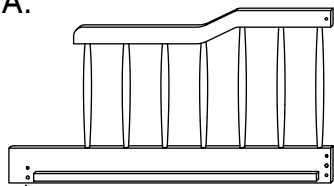
1 Assembled View



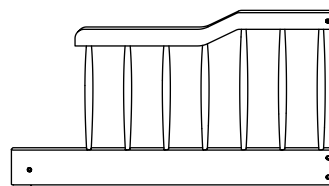
Note: Do not assemble using power tools. This can cause the bolts to be overtightened

2 Parts List

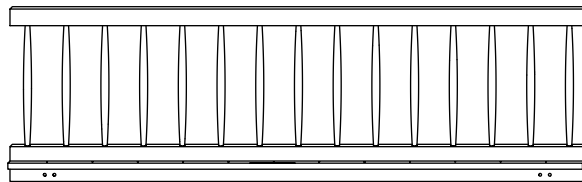
Parts in Box A:



A Headboard Panel (Left Hand) x 1

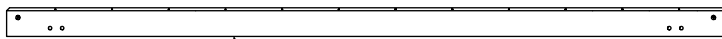


B Headboard Panel (Right Hand) x 1



C Back Panel x 1

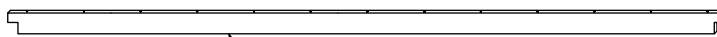
Parts in Box B:



D Side Rail x 1



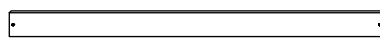
E Pull Out Front Rail x 1



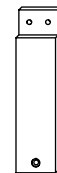
F Pull Out Rear Rail x 1



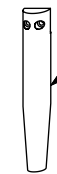
G Lower Rail x 2



H Bed Slat x 25



J Bed Post x 4



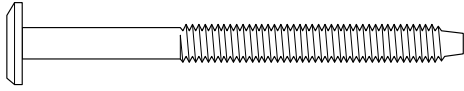
K Pull Out Leg x 2

0037 Daybed

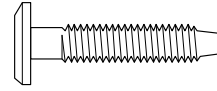
Assembly Instructions

WII-1119

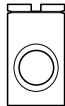
3 Hardware List



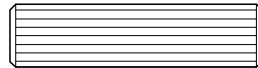
1 M6 x 70mm JCB
x 12



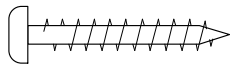
2 M6 x 30mm JCB
x 12



3 Barrel Nut
x 8



4 Wood Dowel
(10 x 40mm) x 12

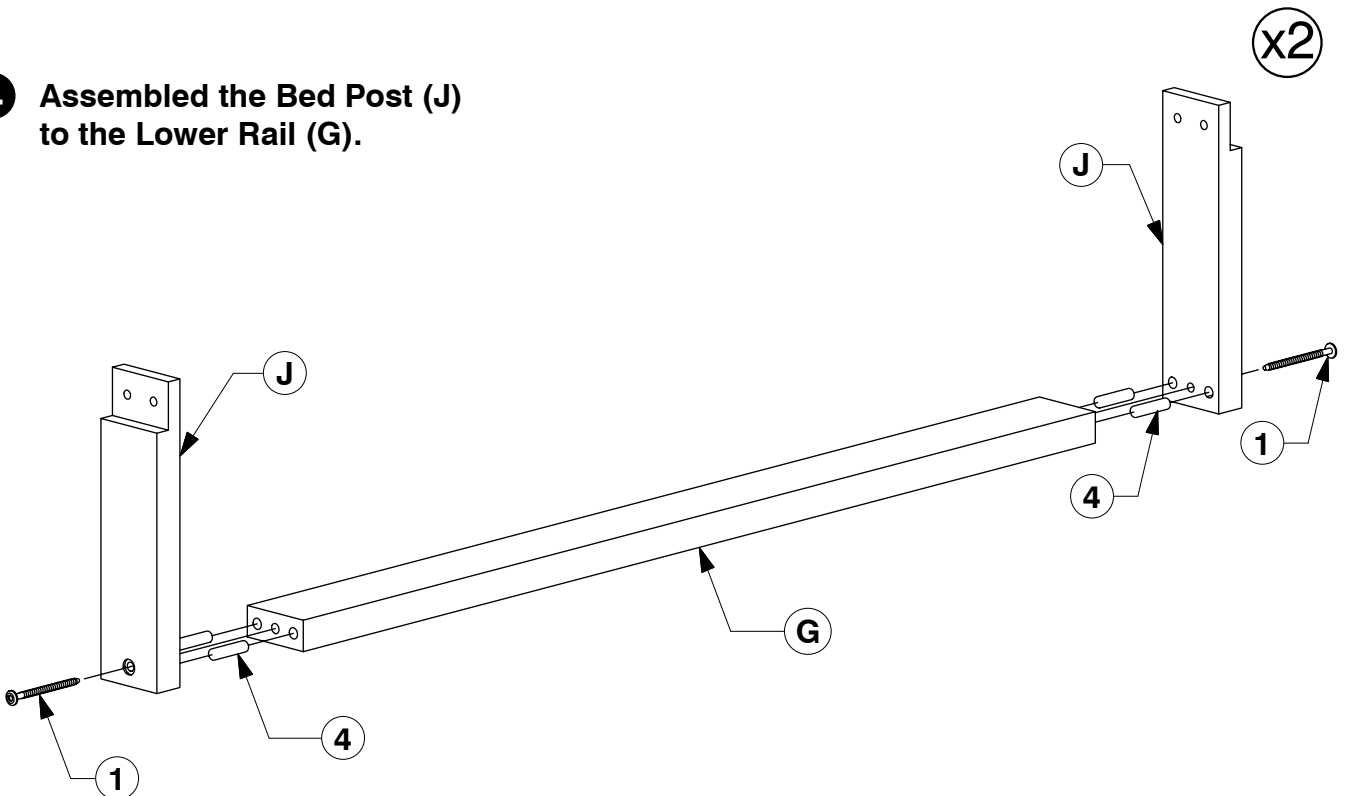


5 Wood Screw
(M4 x 32mm) x 50



6 M4 Allen Key
x 1

4 Assembled the Bed Post (J) to the Lower Rail (G).

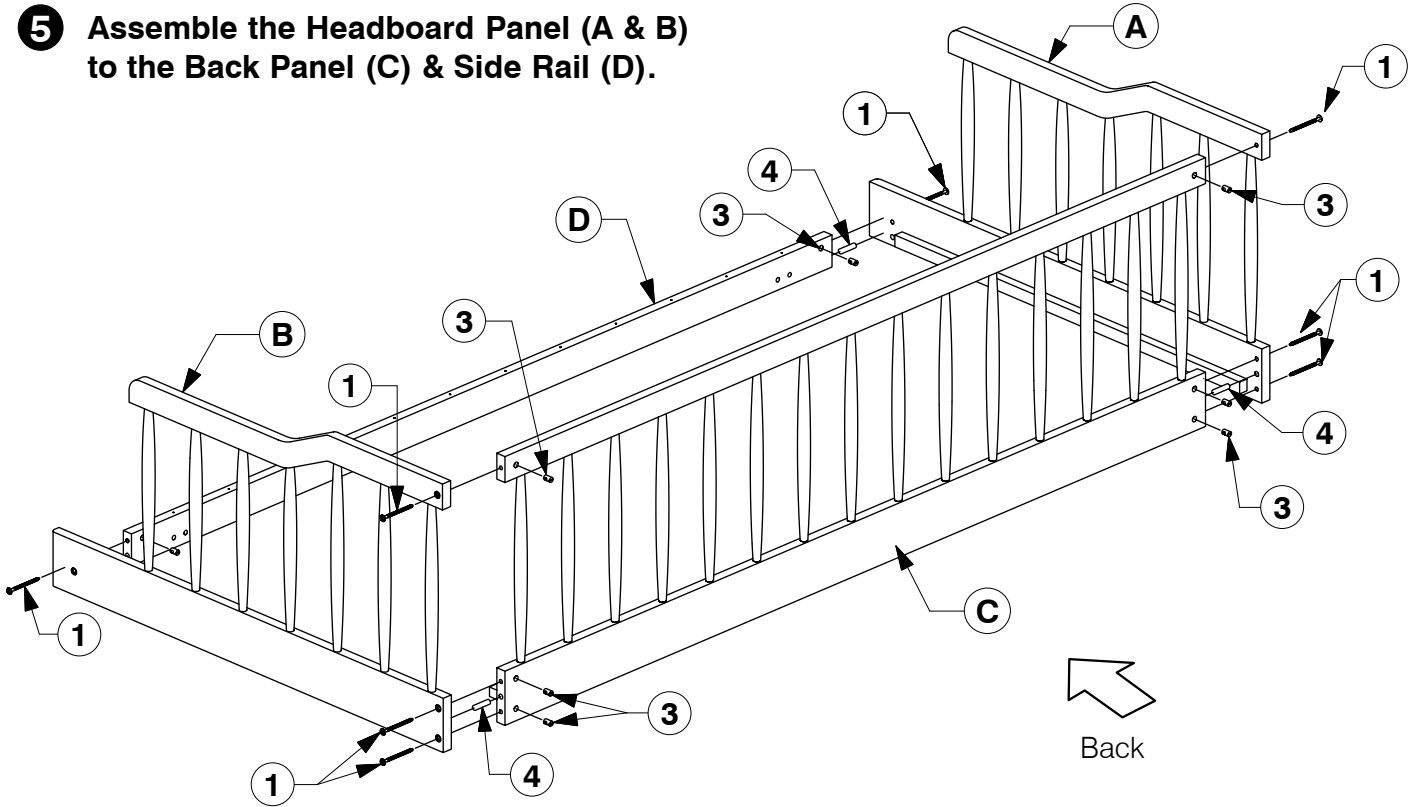


0037 Daybed

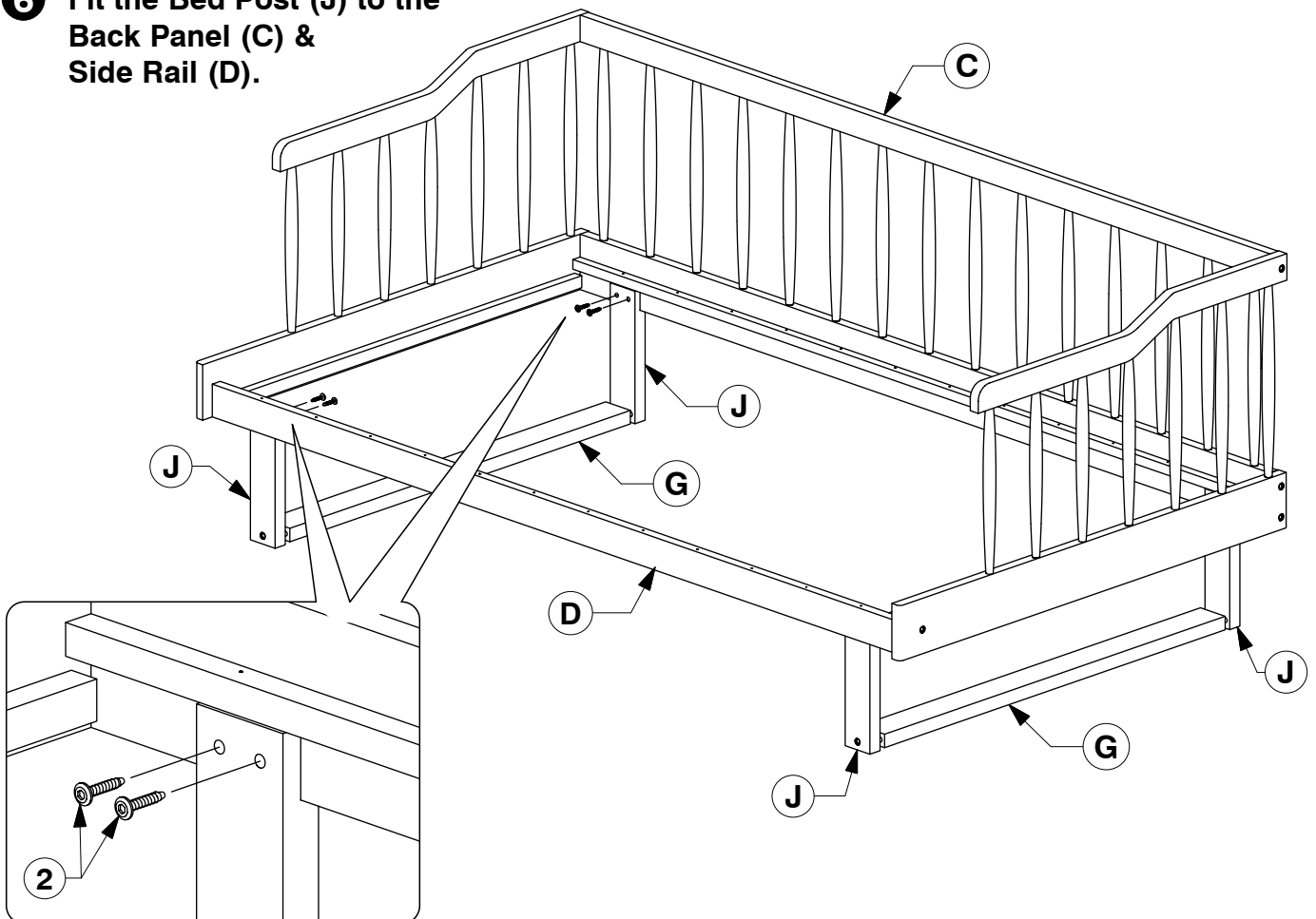
Assembly Instructions

WII-1119

- 5** Assemble the Headboard Panel (A & B) to the Back Panel (C) & Side Rail (D).



- 6** Fit the Bed Post (J) to the Back Panel (C) & Side Rail (D).

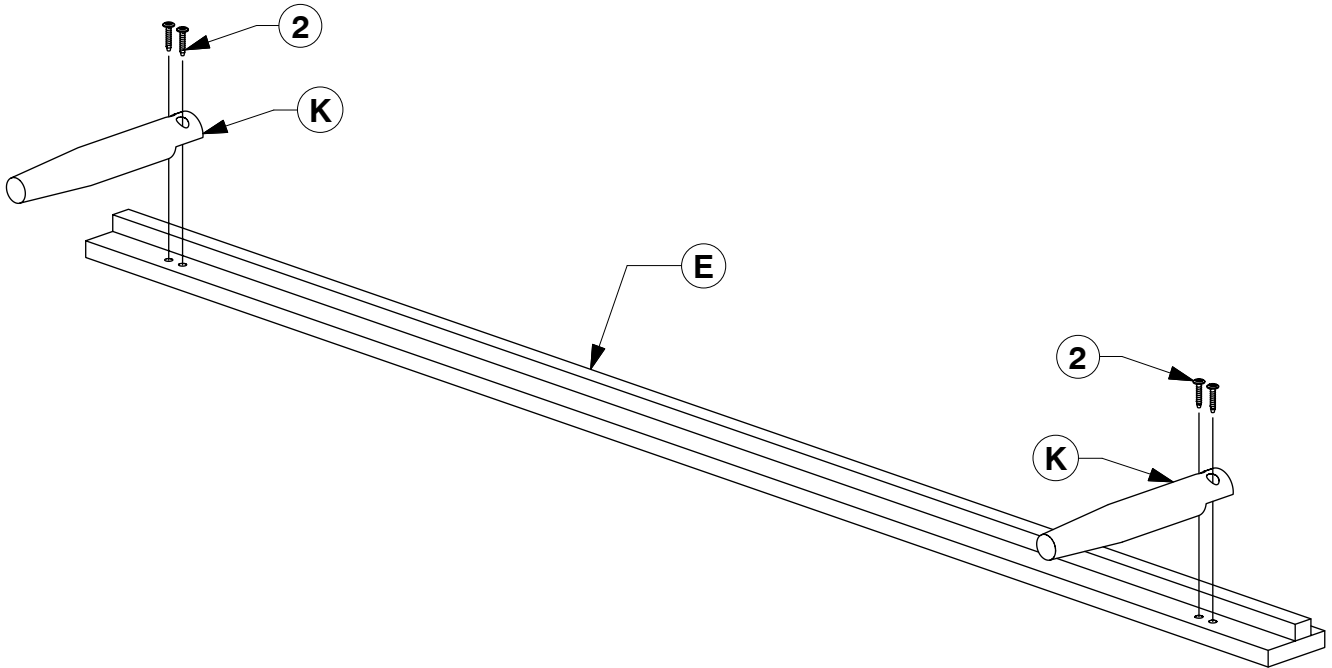


0037 Daybed

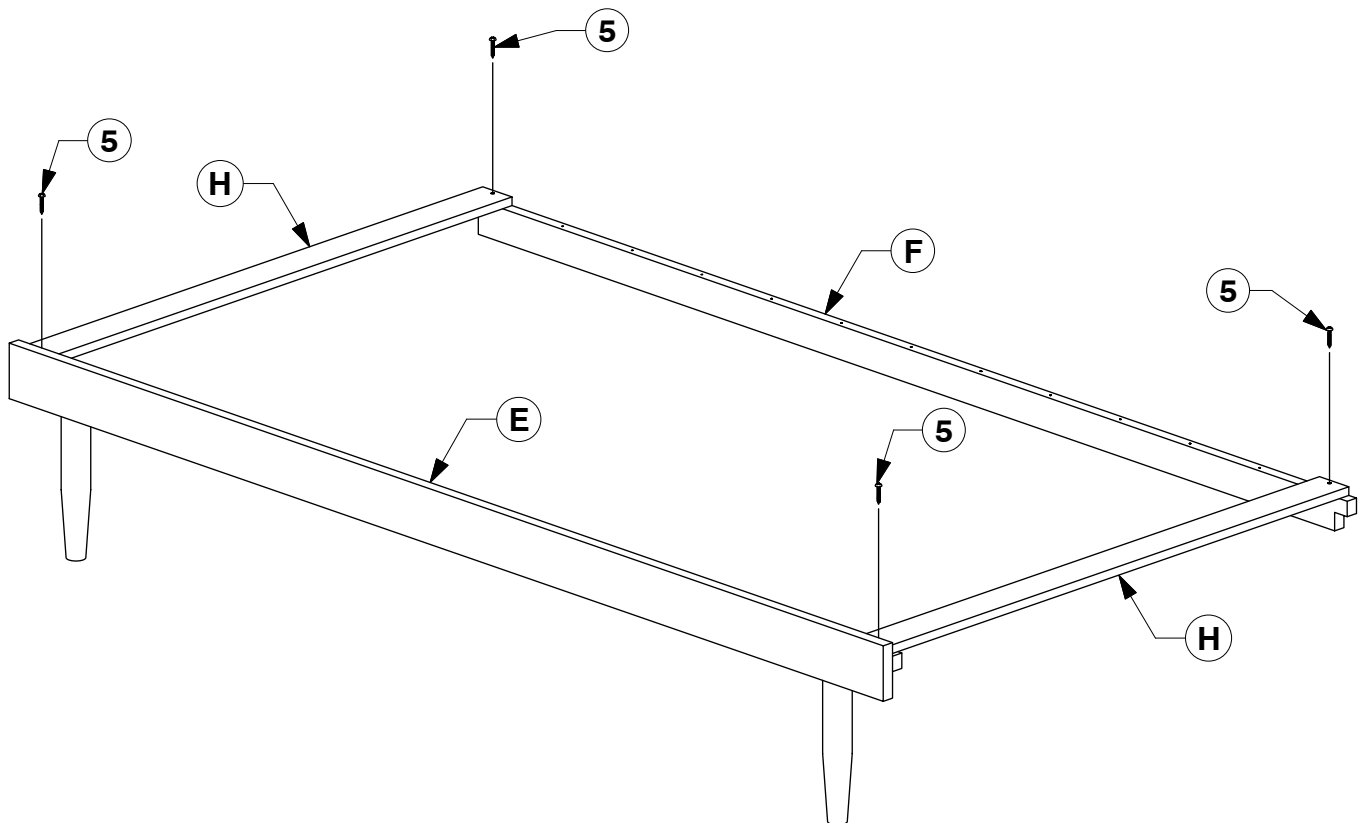
Assembly Instructions

WII-1119

- 7** Fit the Pull Out Leg (K) to the Pull Out Front Rail (E).



- 8** Screw the Bed Slats (H) to the Pull Out Front & Rear Rail (E & F).

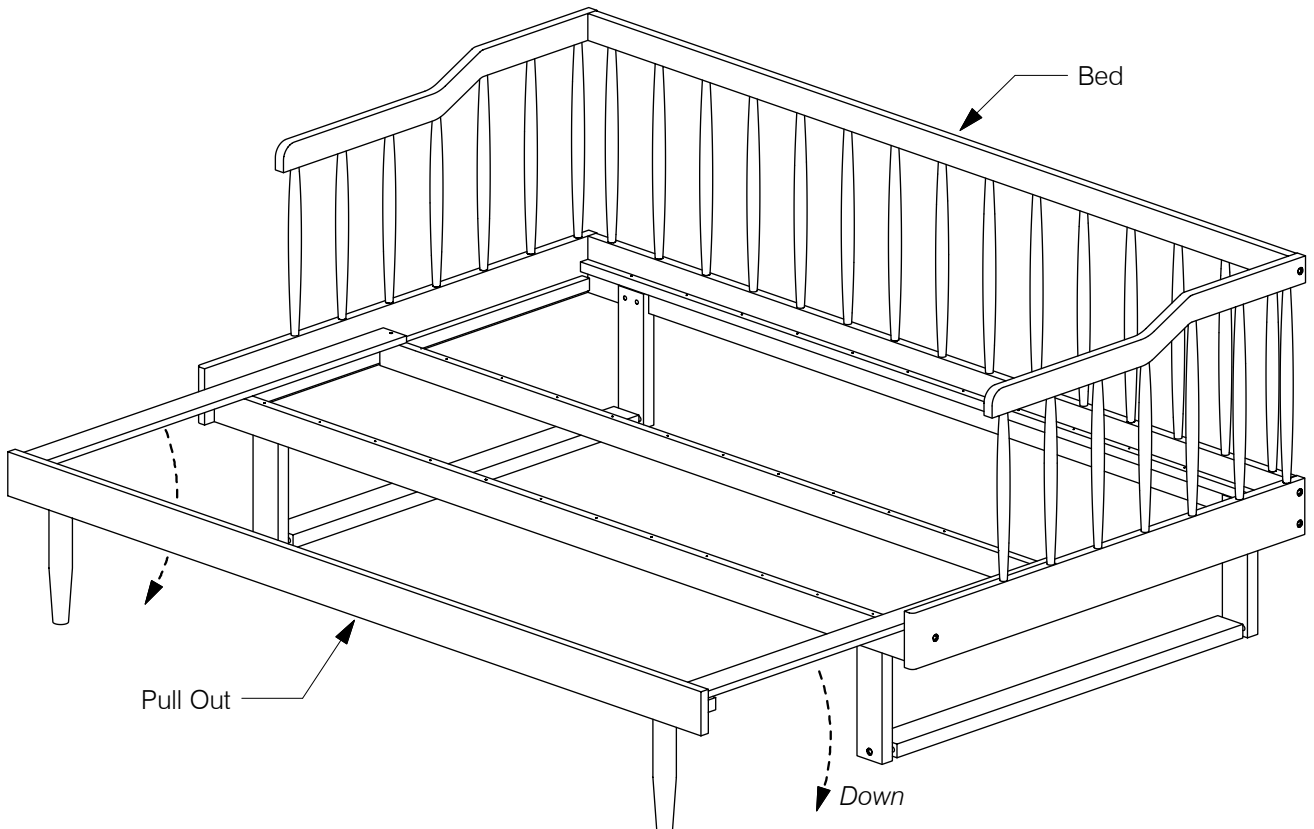
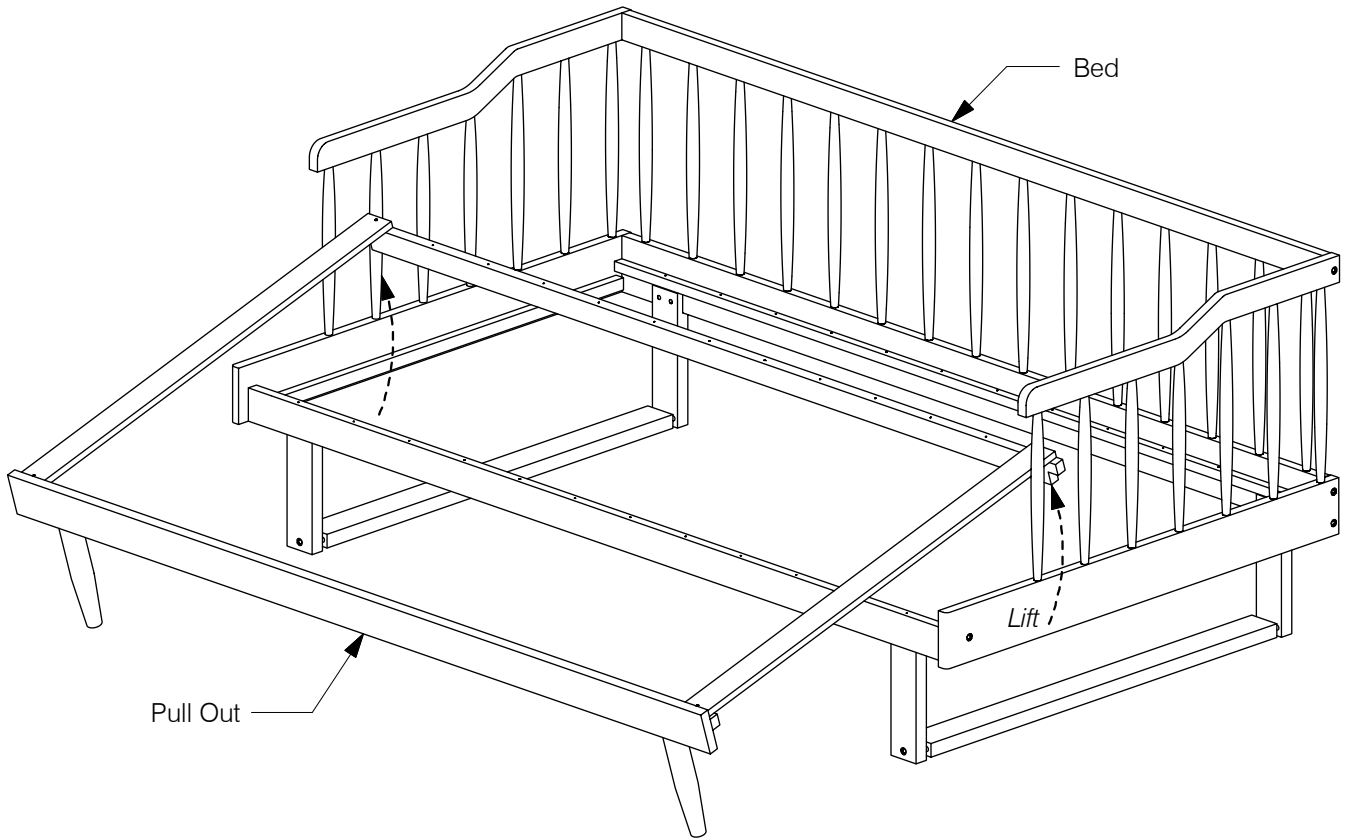


0037 Daybed

Assembly Instructions

WII-1119

- 9** Lift up the Pull Out and slide the Bed Frame in.

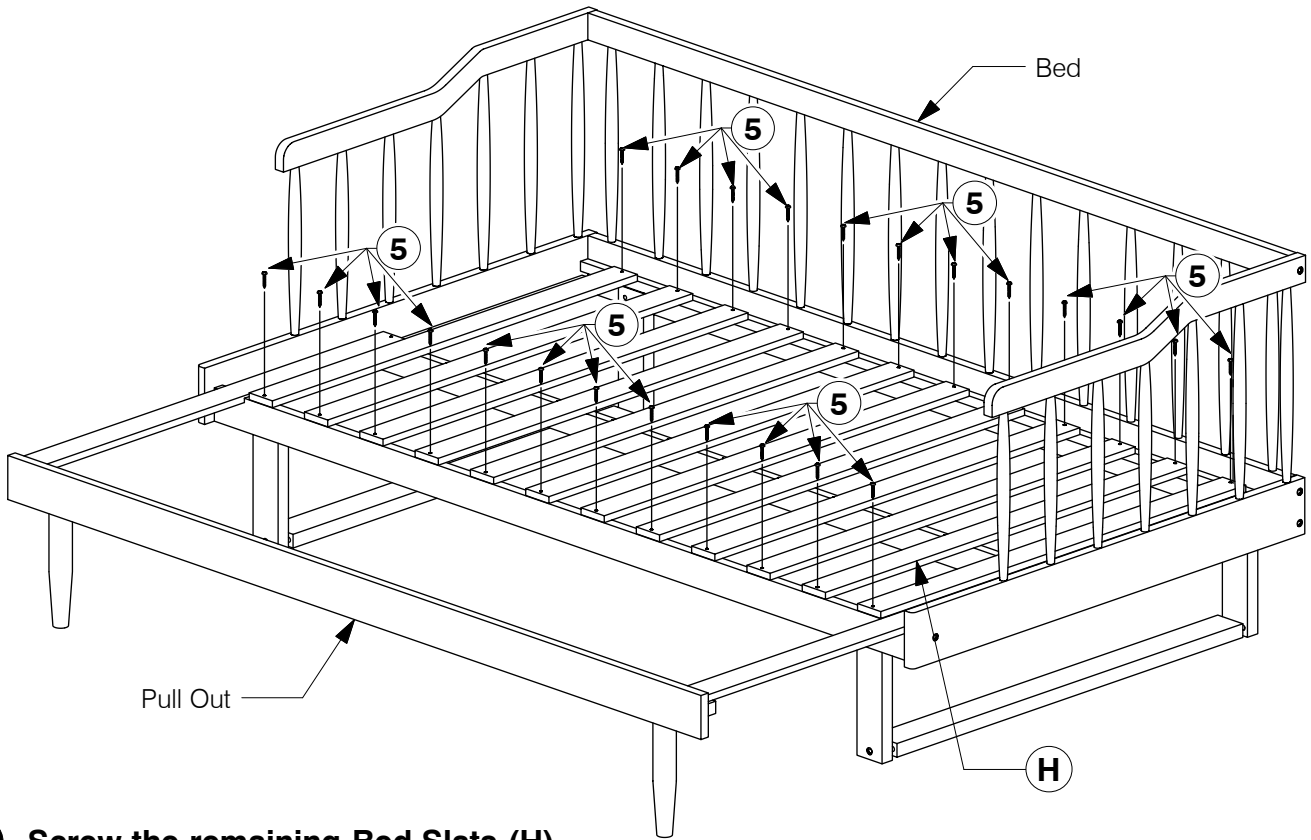


0037 Daybed

Assembly Instructions

WI-1119

10 Screw the Bed Slats (H) to the Bed Frame.



11 Screw the remaining Bed Slats (H) to the Pull Out.

