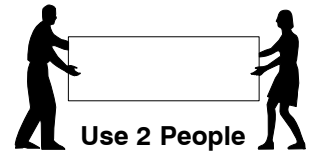
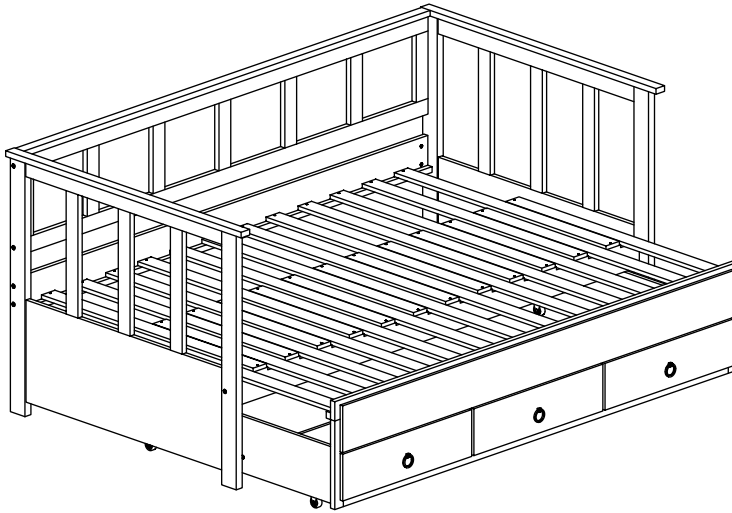


0035 Daybed

Assembly Instructions

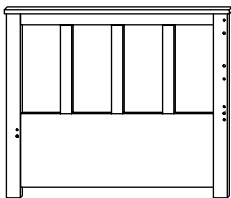
WII-1119



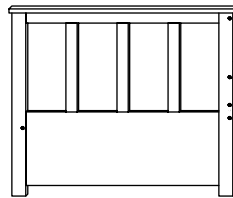
Note: Do not assemble using power tools. This can cause the bolts to be overtightened

1 Parts List

Parts in Box A:



A Headboard Panel (Left Hand) x 1



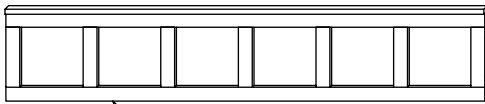
B Headboard Panel (Right Hand) x 1

Parts in Box C:

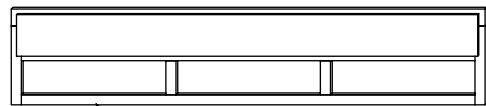


R Bed Slat x 25

Parts in Box B:



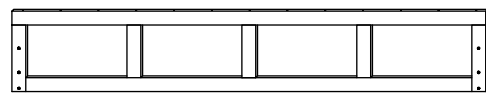
C Back Panel x 1



F Pull Out Front Panel x 1



D Rear Side Rail x 1



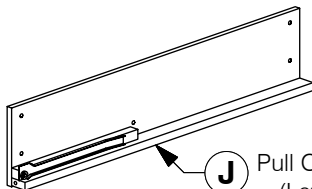
G Pull Out Rear Panel x 1



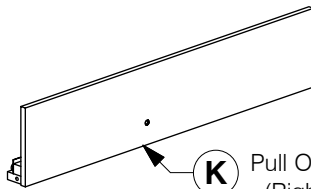
E Front Side Rail x 1



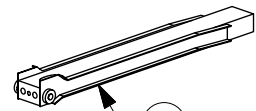
H Pull Out Support Rail x 1



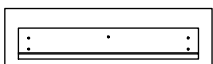
J Pull Out Side Panel (Left Hand) x 1



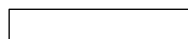
K Pull Out Side Panel (Right Hand) x 1



L Support x 2



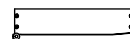
M Drawer Face x 3



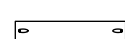
N Drawer Back x 3



O Drawer Bottom x 3



P Drawer Side x 6



Q Drawer Rail x 3

0035 Daybed

Assembly Instructions

WII-1119

2 Hardware List



1 M6 x 70mm JCB
x 10



2 M6 x 60mm JCB
x 2



3 M6 x 40mm JCB
x 2



4 M6 x 15mm JCB
x 16



5 Wood Dowel
(10 x 40mm) x 8



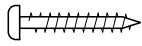
6 Wood Dowel
(8 x 30mm) x 10



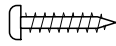
7 Wood Dowel
(6 x 25mm) x 12



8 Barrel Nut
x 10



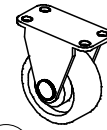
9 Wood Screw
(M4 x 32mm) x 52



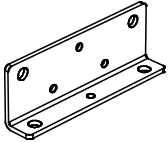
10 Wood Screw
(M4 x 25mm) x 30



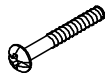
11 Wood Screw
(M4 x 16mm) x 32



12 Wheels
x 4



13 Metal Bracket
x 4



14 M4 x 16mm
Bolt x 3

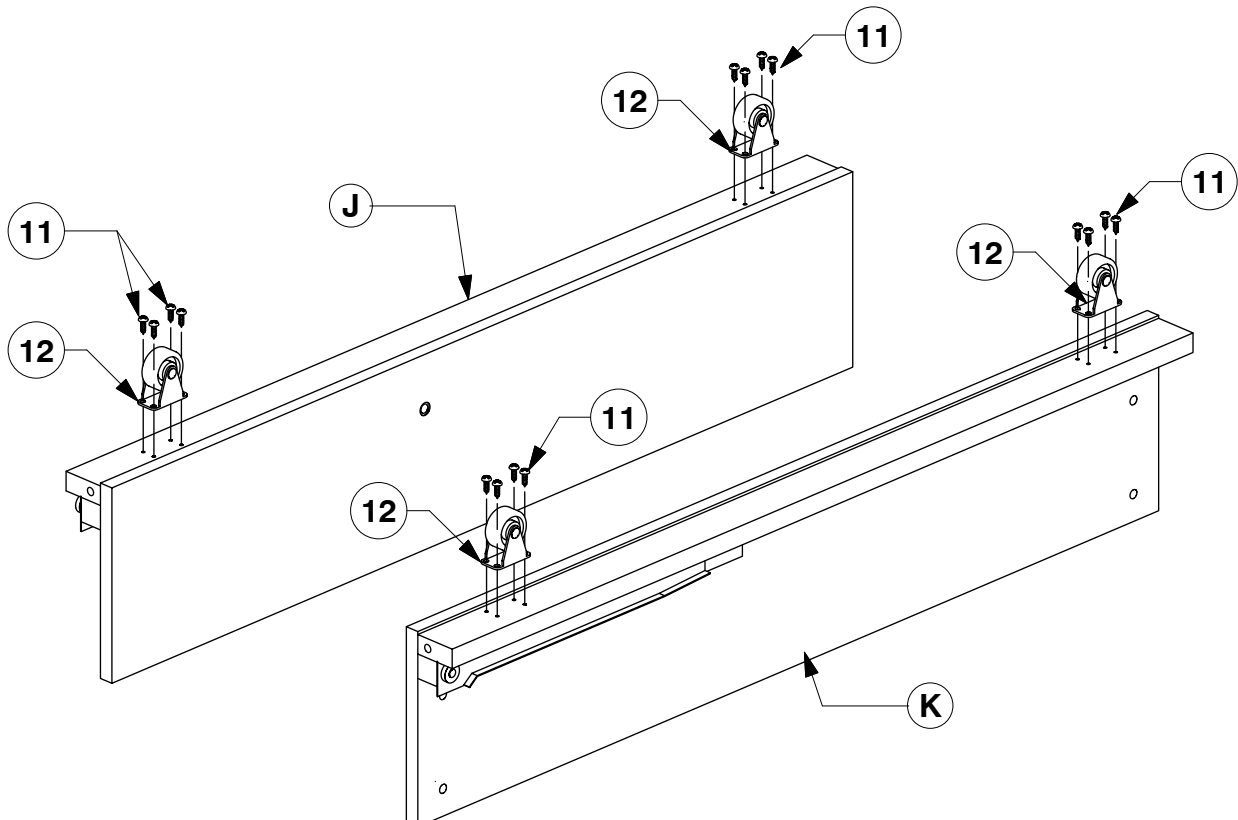


15 Handle
x 3



16 Allen Key x 1

3 Fit the Wheels (12) to the bottom of the Left & Right hand Pull Out Side Panel (J & K) using Wood Screw 16mm (11).



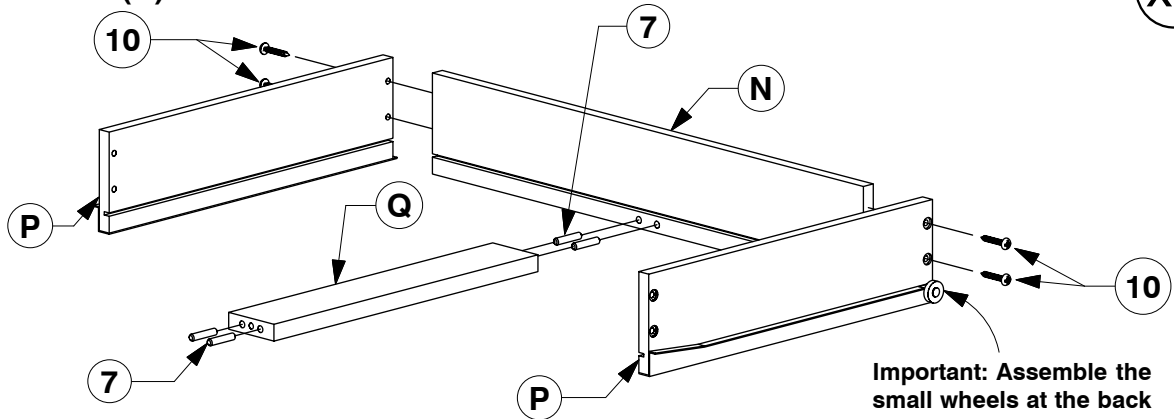
0035 Daybed

Assembly Instructions

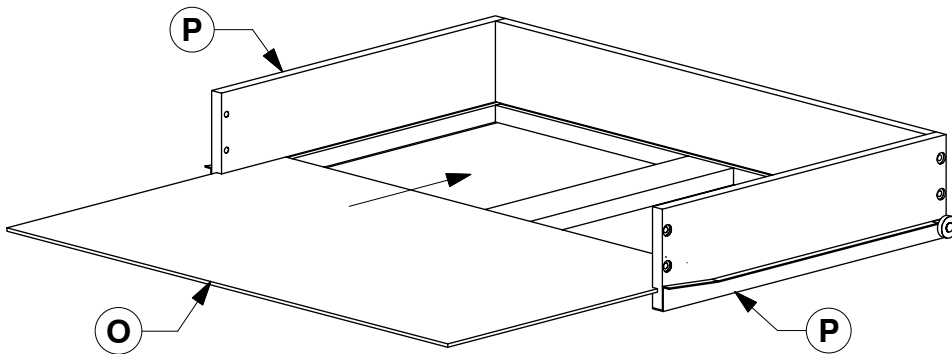
WII-1119

- 4** Assemble the Drawer Sides (P) and Drawer Rail (Q) to the Drawer Back (N). Make sure the small wheels on the Drawer Sides (P) are next to the Drawer Back (N).

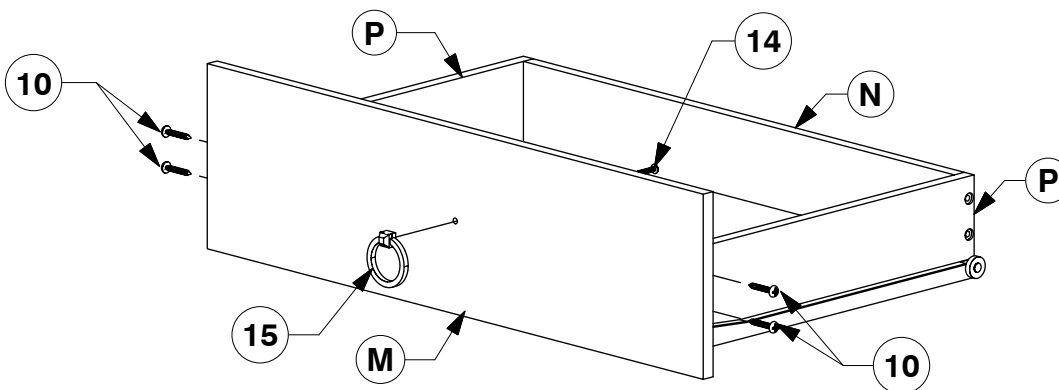
x3



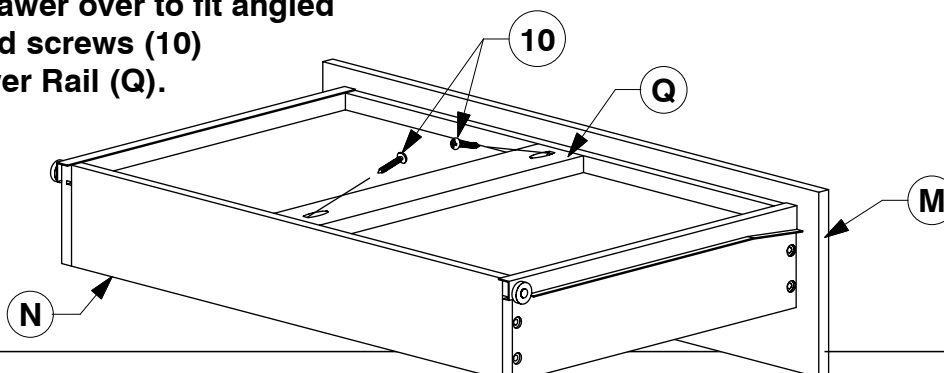
- 5** Slide the Drawer Bottom (O) into the groove on the Drawer Sides (P).



- 6** Assemble the Drawer Face (M) to the Drawer Sides (P).



- 7** Turn the Drawer over to fit angled 25mm Wood screws (10) to the Drawer Rail (Q).

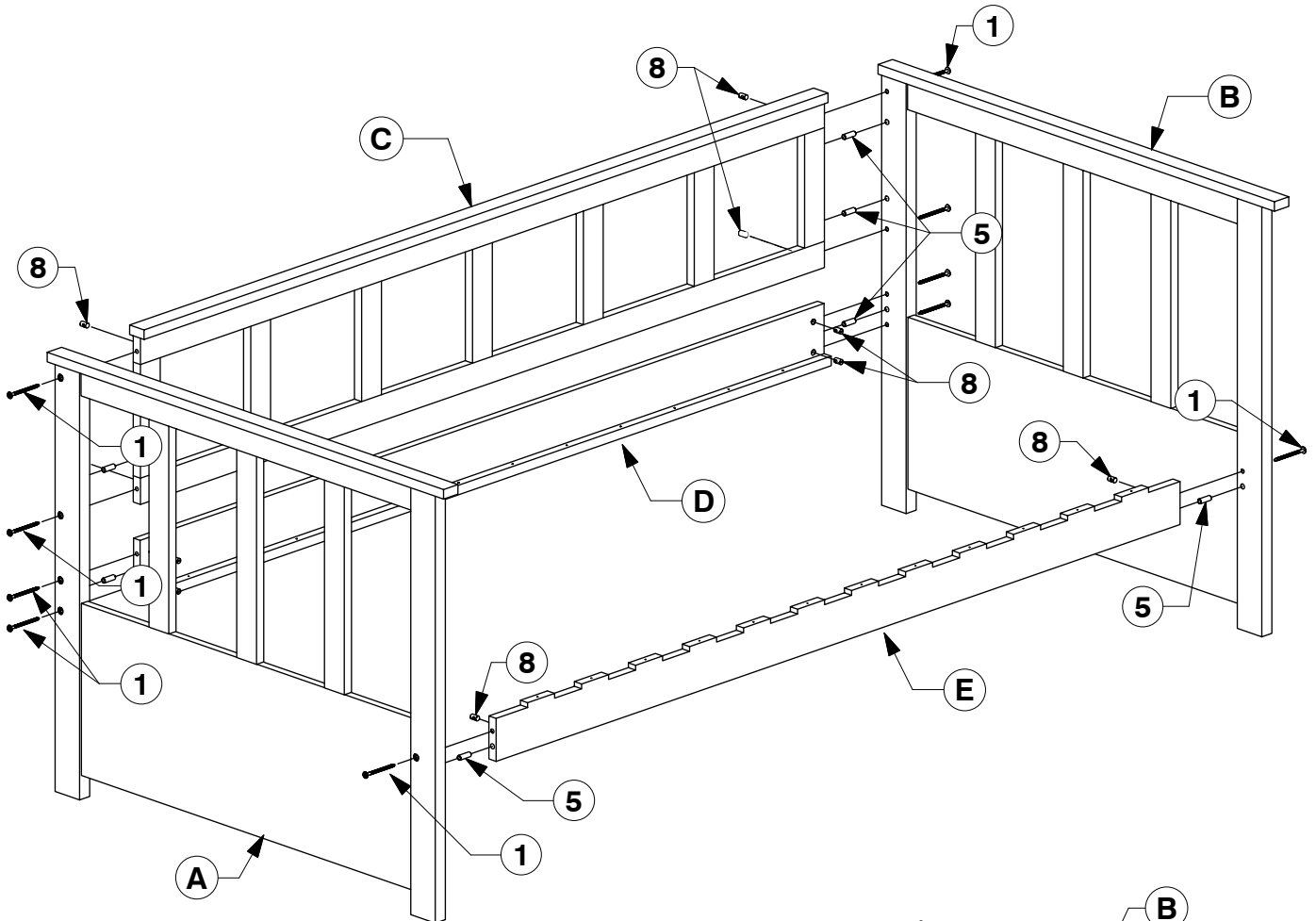
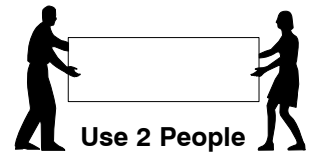


0035 Daybed

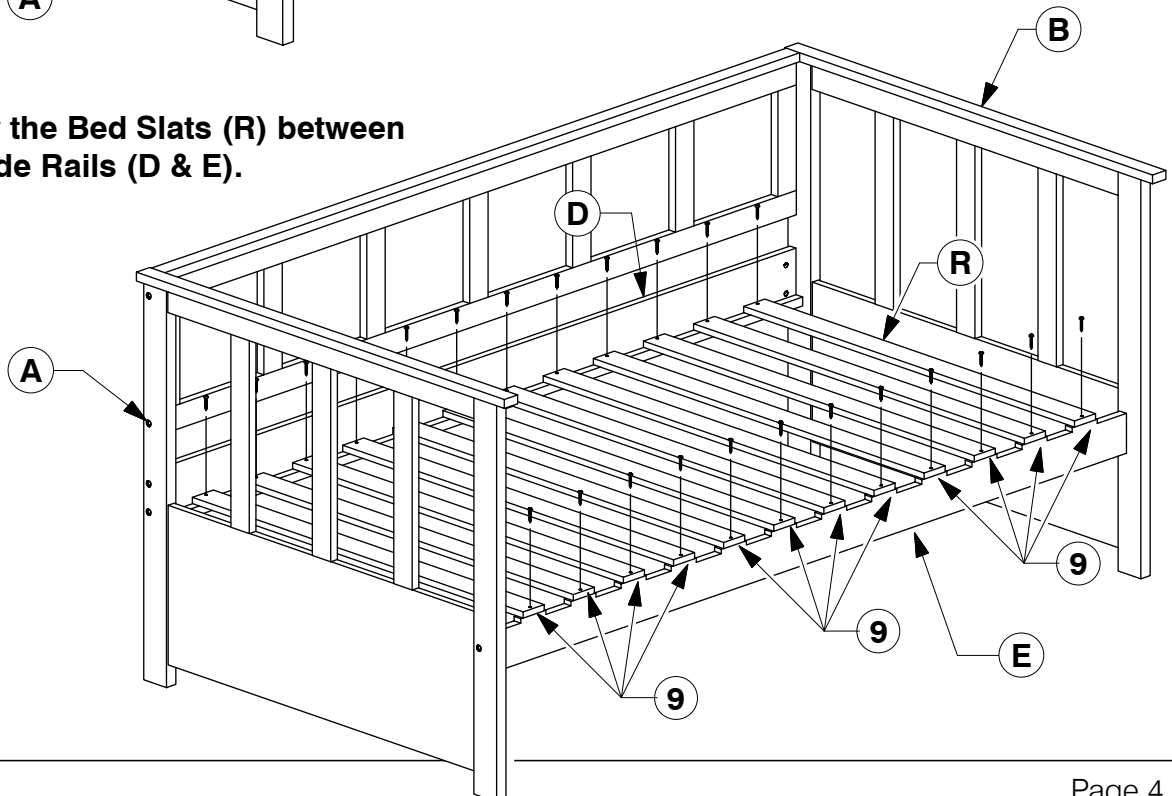
Assembly Instructions

WII-1119

- 8** Assemble the Side Rail (D & E) and Back Panel (C) to the Headboard Panel (A & B).



- 9** Screw the Bed Slats (R) between the Side Rails (D & E).

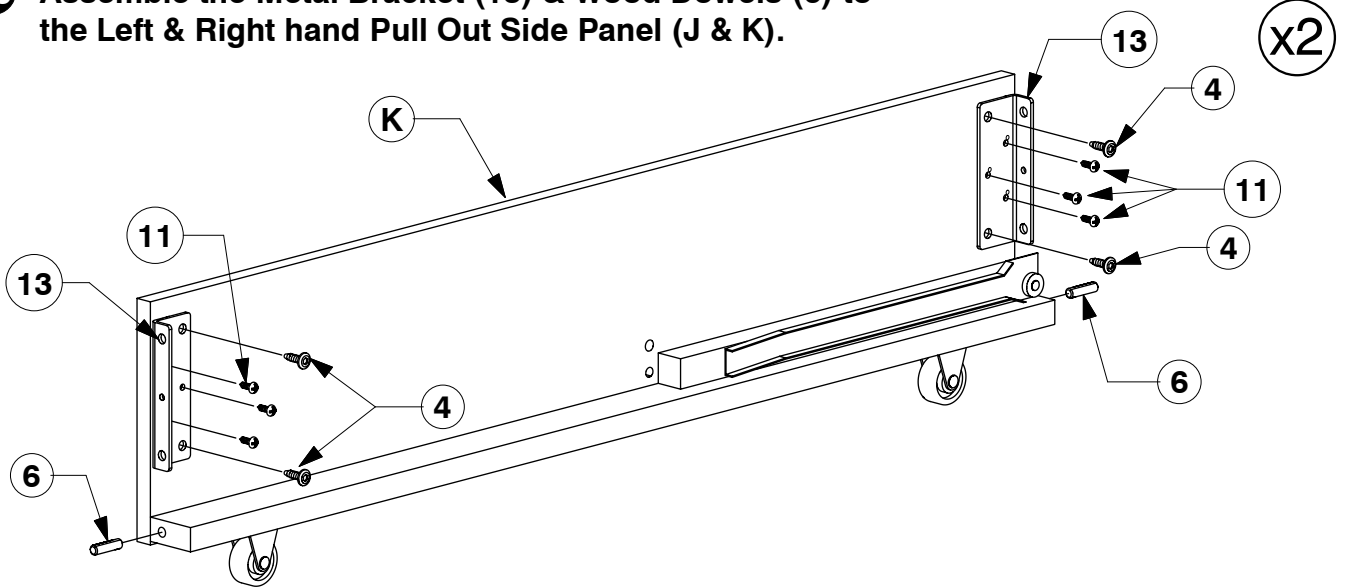


0035 Daybed

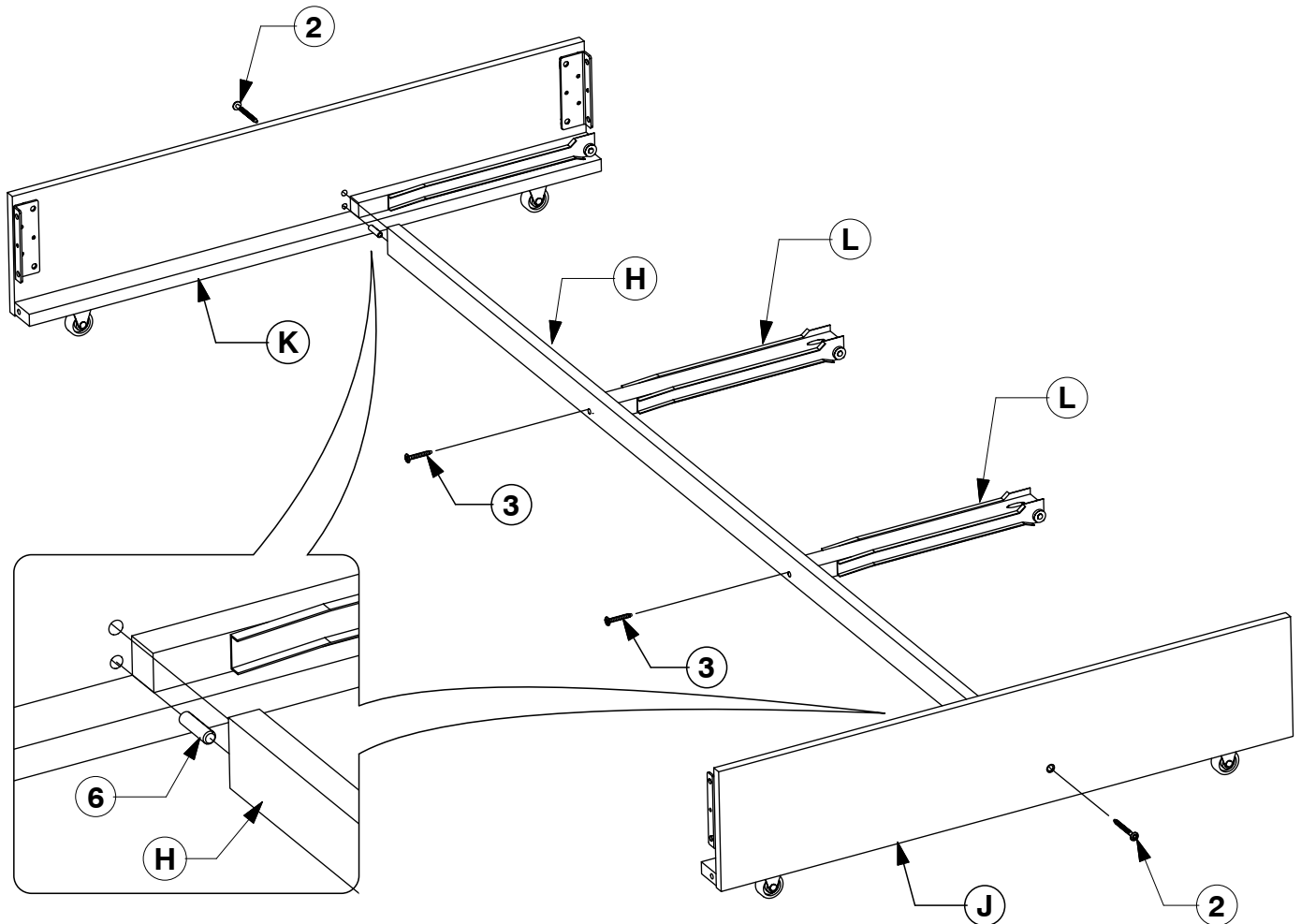
Assembly Instructions

WII-1119

- 10** Assemble the Metal Bracket (13) & Wood Dowels (6) to the Left & Right hand Pull Out Side Panel (J & K).



- 11** Attach the Supports (L) to the Support Rail (H) using 40mm JCBs (3). Fit the Support Rail (H) to the Left & Right hand Pull Out Side Panel (J & K) using Wood Dowels (6) and 60mm JCBs (2).

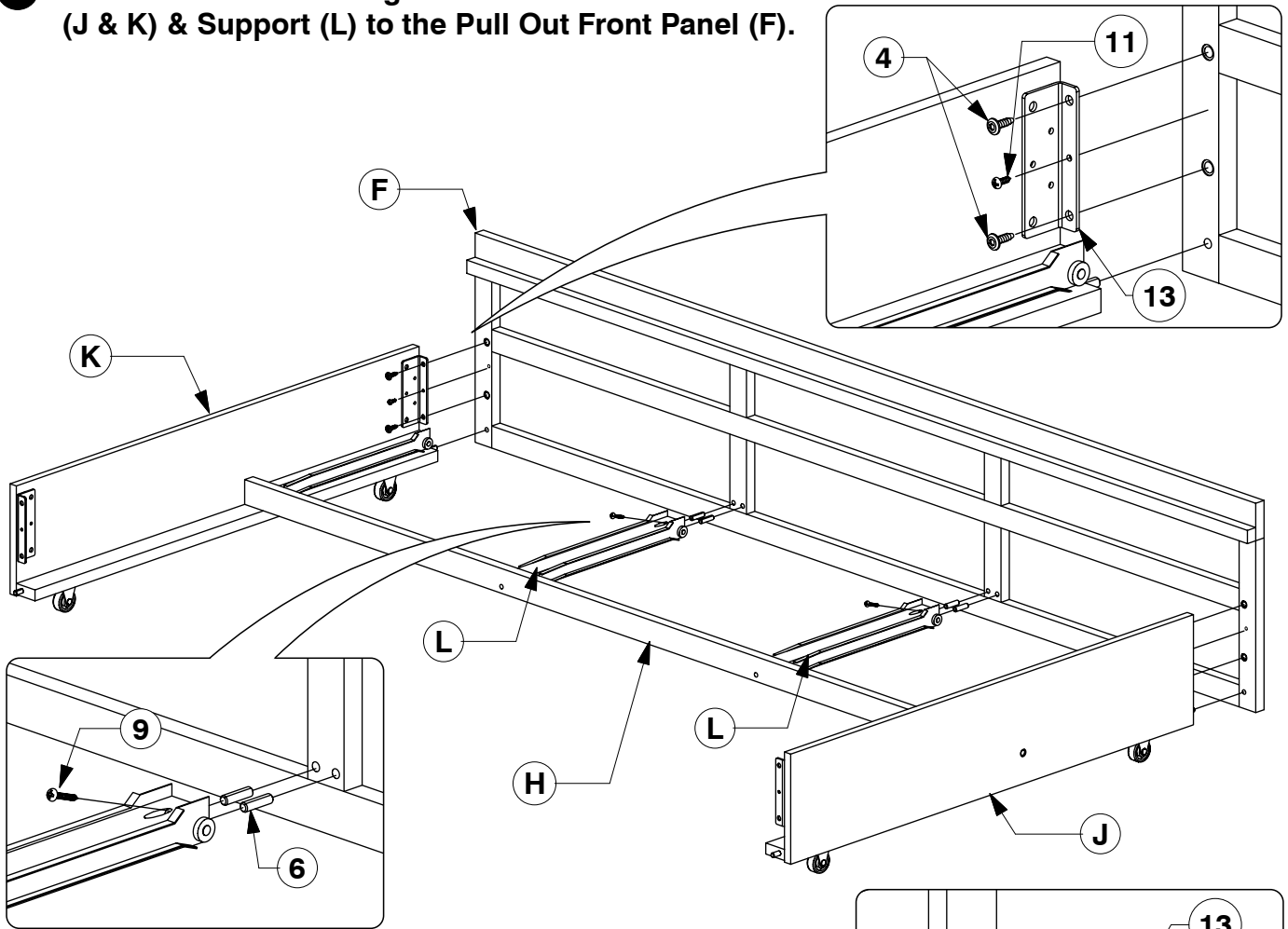


0035 Daybed

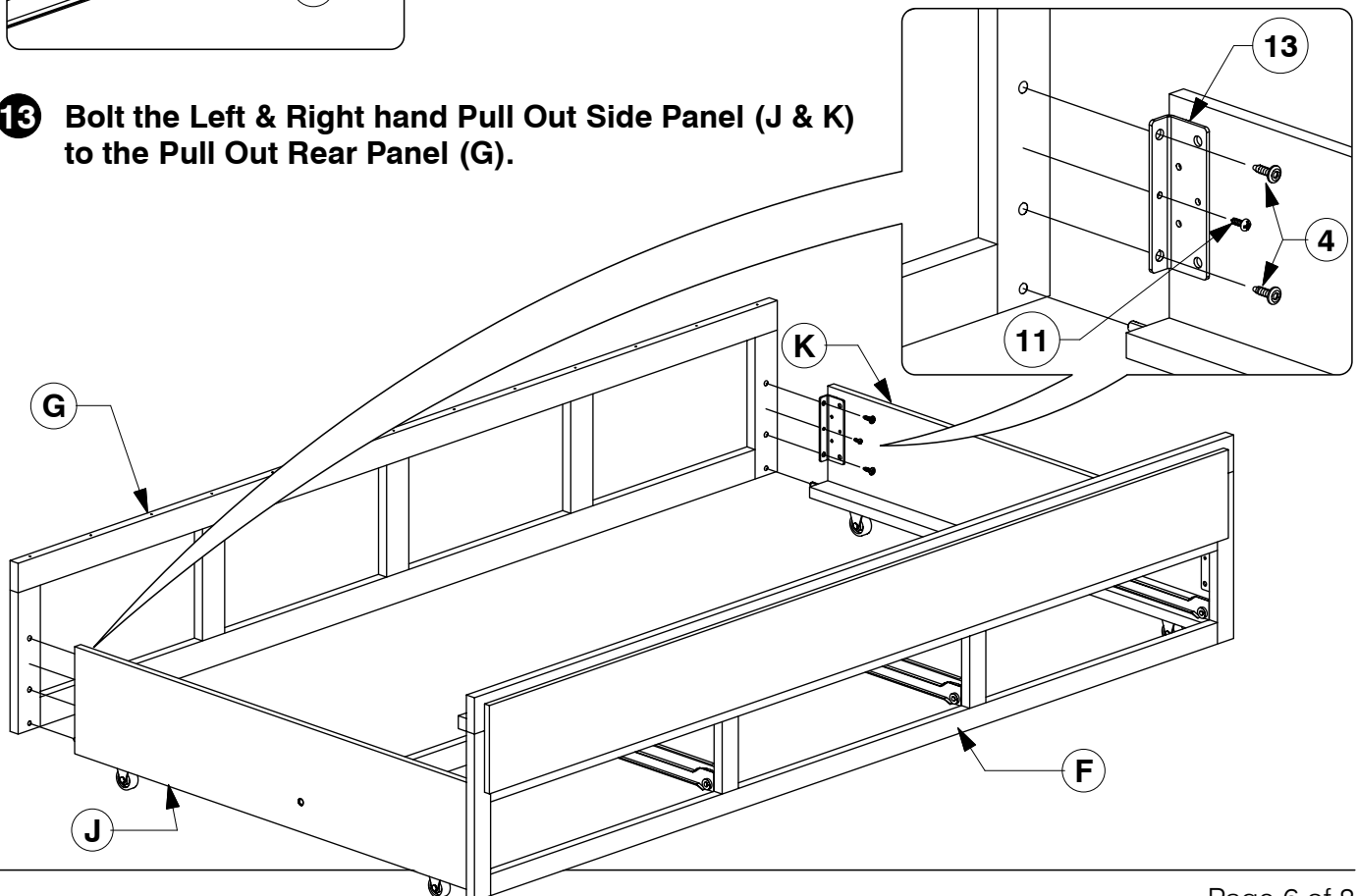
Assembly Instructions

WII-1119

- 12** Assemble the Left & Right hand Pull Out Side Panel (J & K) & Support (L) to the Pull Out Front Panel (F).



- 13** Bolt the Left & Right hand Pull Out Side Panel (J & K) to the Pull Out Rear Panel (G).

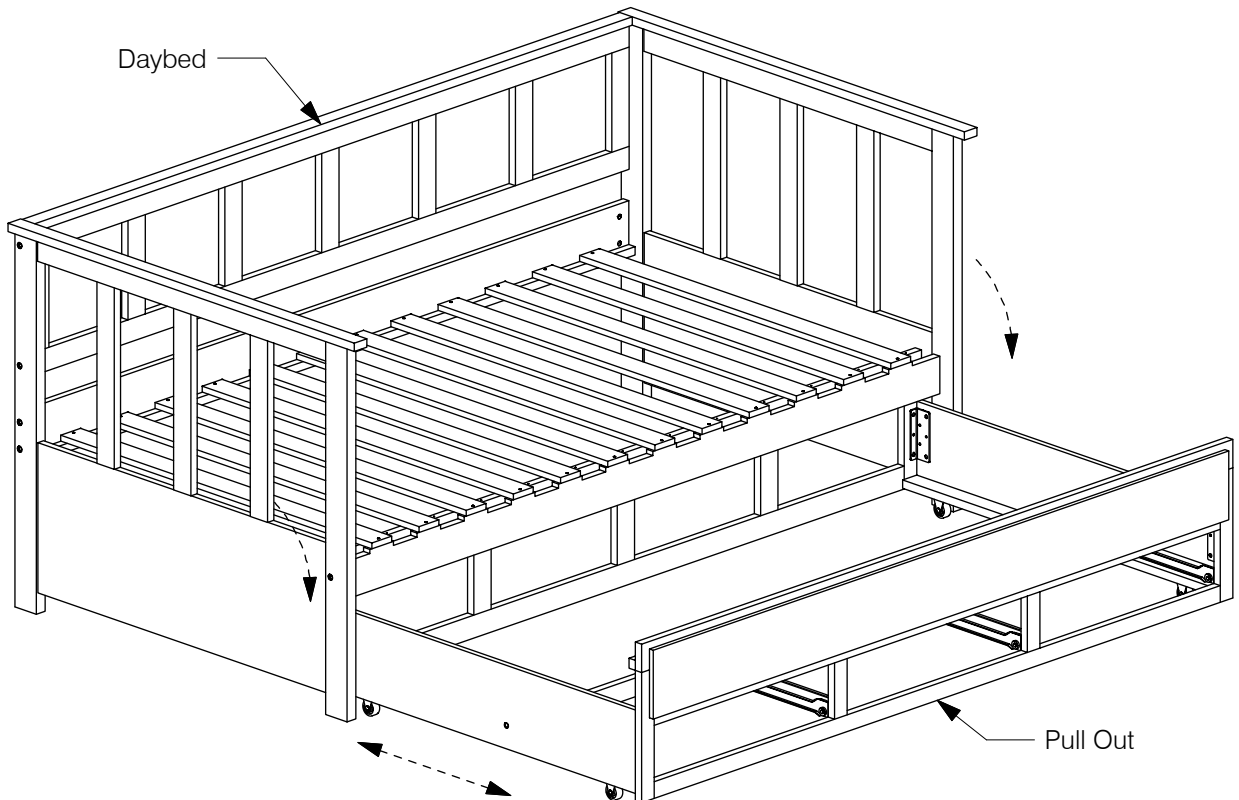
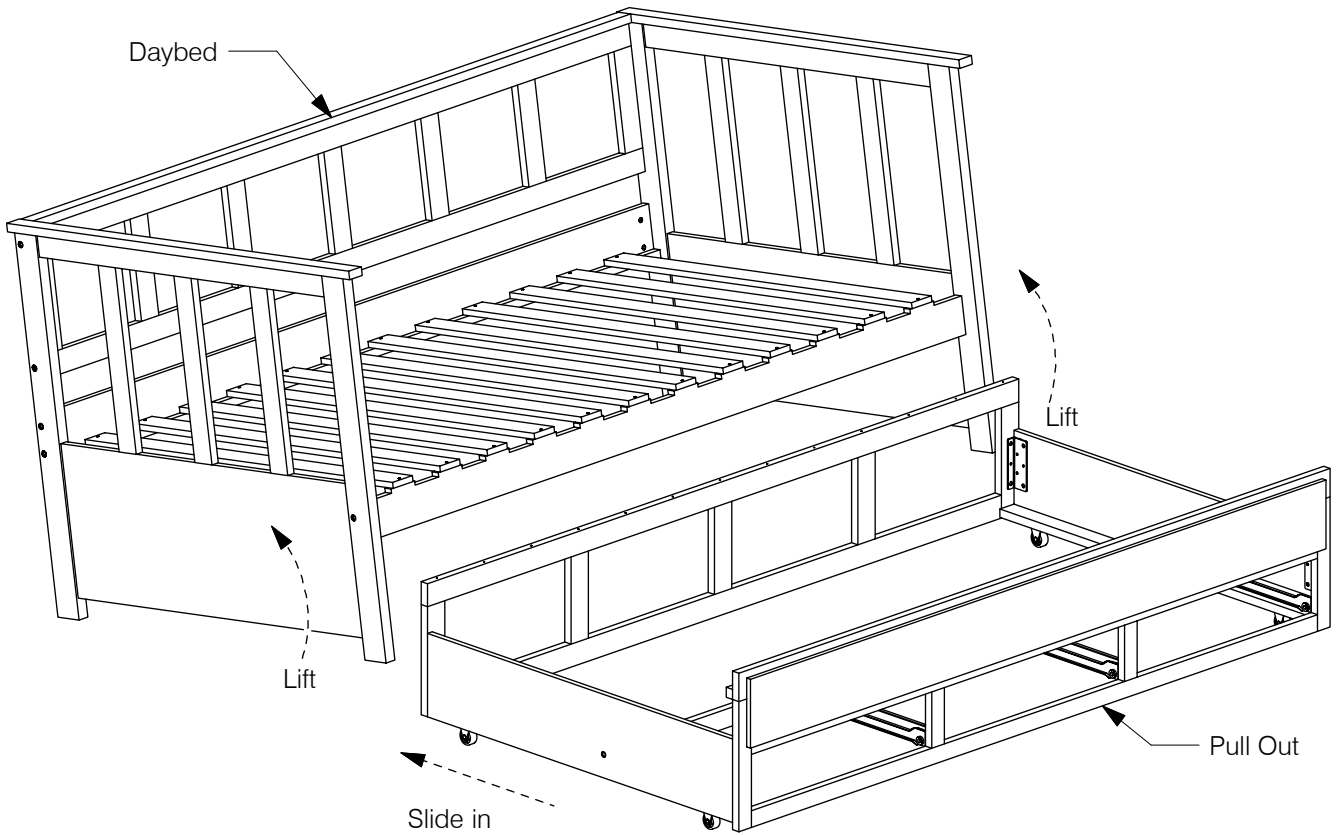


0035 Daybed

Assembly Instructions

WI-1119

14 Slide the Pull Out under the Bed.



0035 Daybed

Assembly Instructions

WI-1119

- 15** Assemble the Bed Slats (R) to the Pull Out Front Panel (F) & Pull Out Rear Panel (G). Finally, fit the assembled Drawers.

