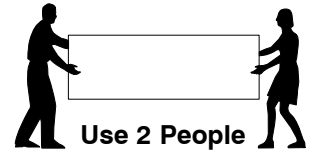
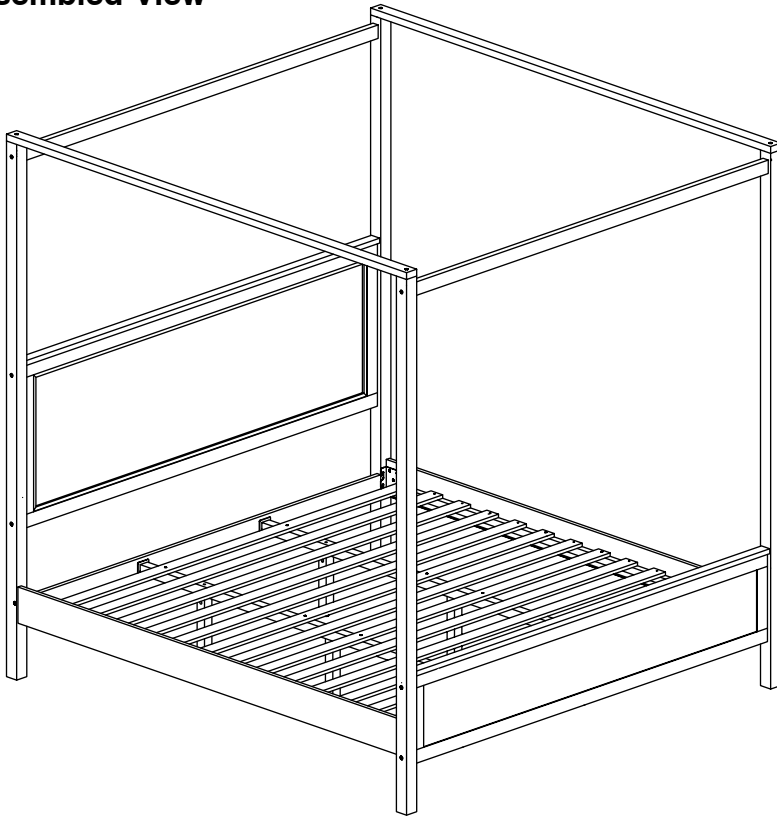


0021-1 Canopy King Bed

Assembly Instructions

1119

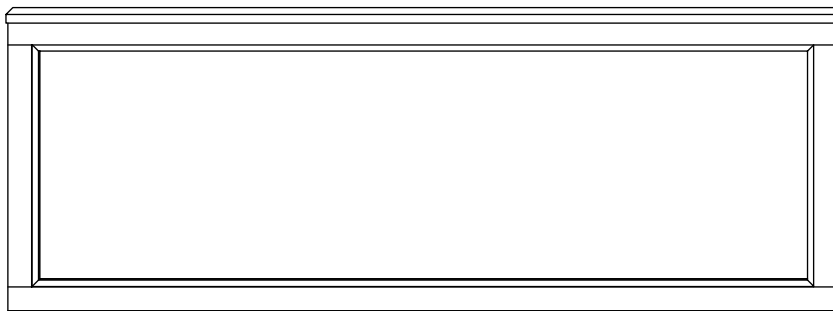
1 Assembled View



Note: Do not assemble using power tools. This can cause the bolts to be overtightened

2 Parts List

Parts in Box A:



A Headboard Panel x 1



B Headboard Support x 1



C Footboard Panel x 1

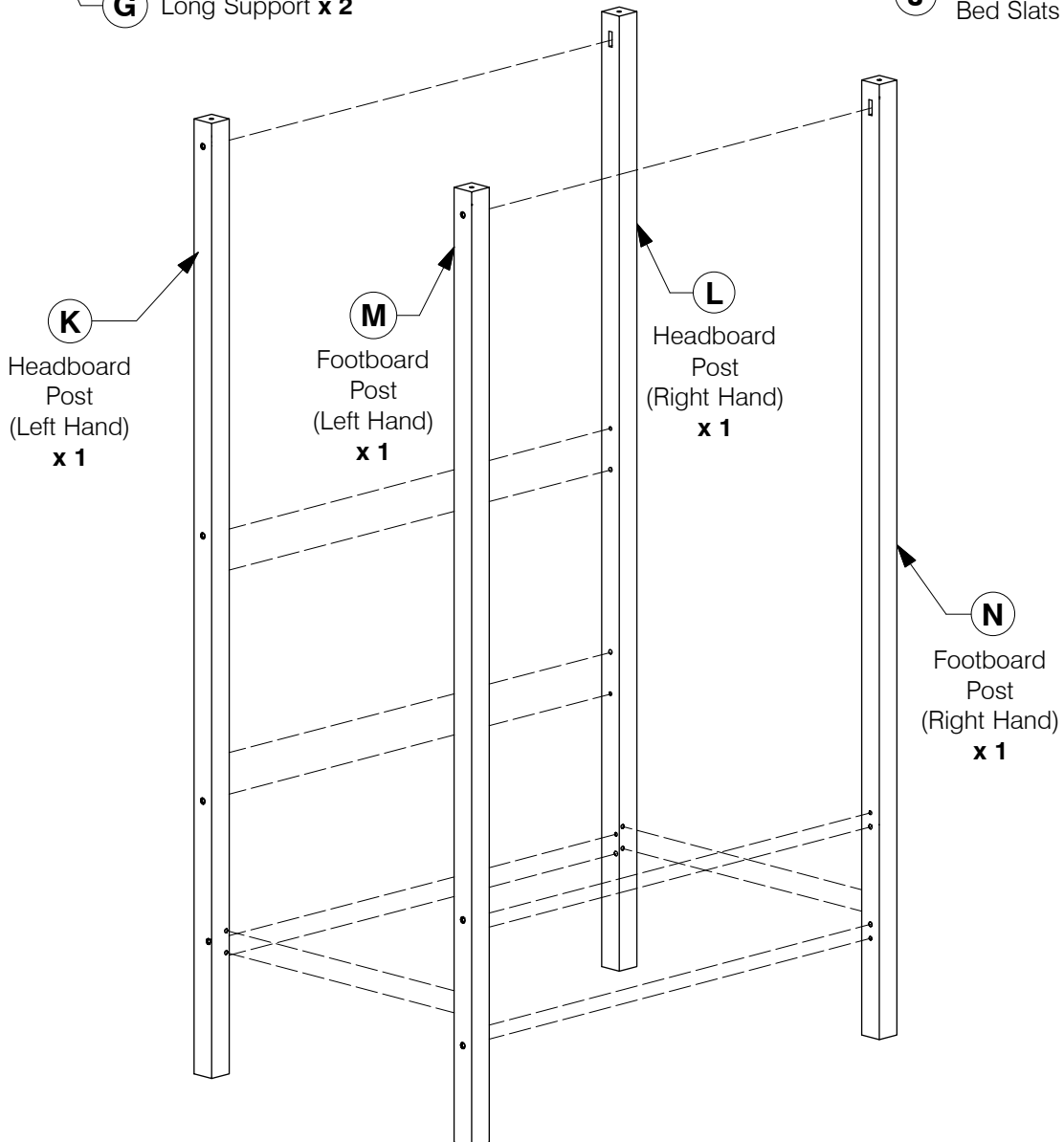
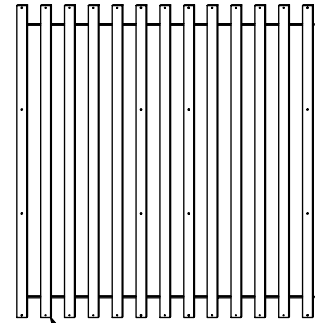
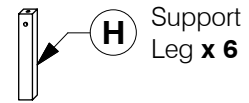
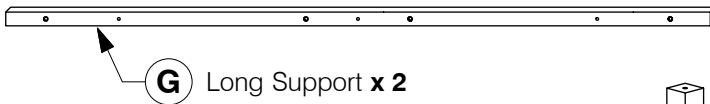
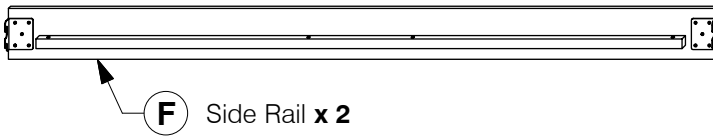
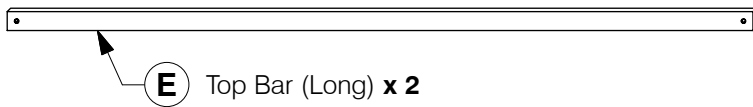
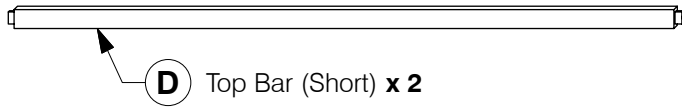
0021-1 Canopy King Bed

Assembly Instructions

1119

2 Parts List

Parts in Box B:



0021-1 Canopy King Bed

Assembly Instructions

1119

3 Hardware List



1 M6 x 100mm JCB
x 14



2 M6 x 90mm JCB
x 6



3 M6 x 50mm JCB
x 4



4 M6 x 40mm JCB
x 16



5 M6 x 20mm JCB
x 8



6 M6 x 15mm JCB
x 8



7 Wood Dowel
(M10 x 40mm) x 10



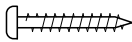
8 Barrel Nut
x 20



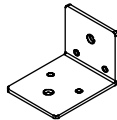
9 Spring Washer
x 8



10 Flat Washer
x 8



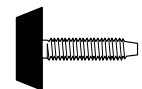
11 Wood Screw
(M4 x 32mm) x 18



12 Center Rail
Bracket x 4

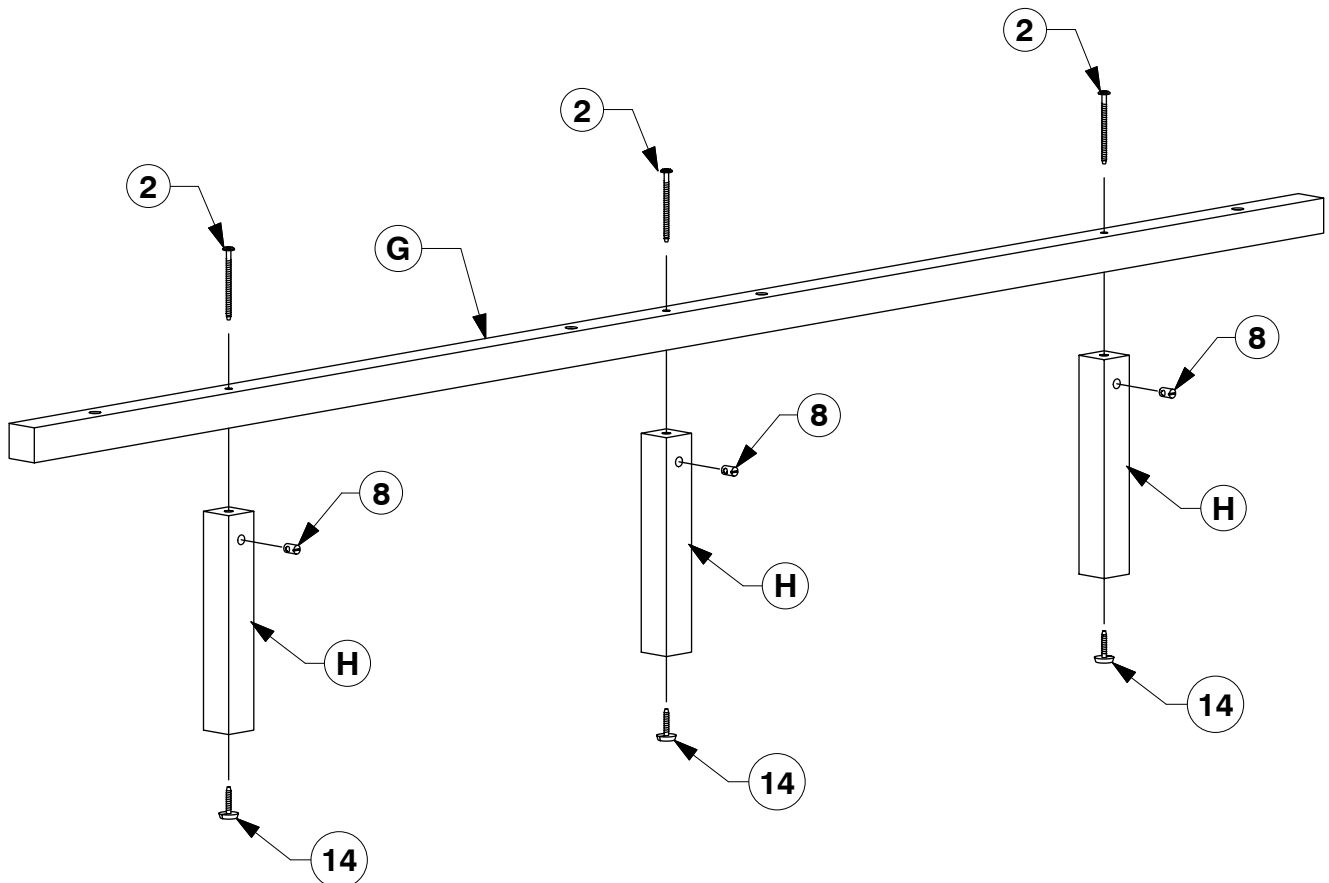


13 Allen Key
x 1



14 Adjustable
Foot x 6

4 Assemble the Support Leg (H) to the Long Support (G).

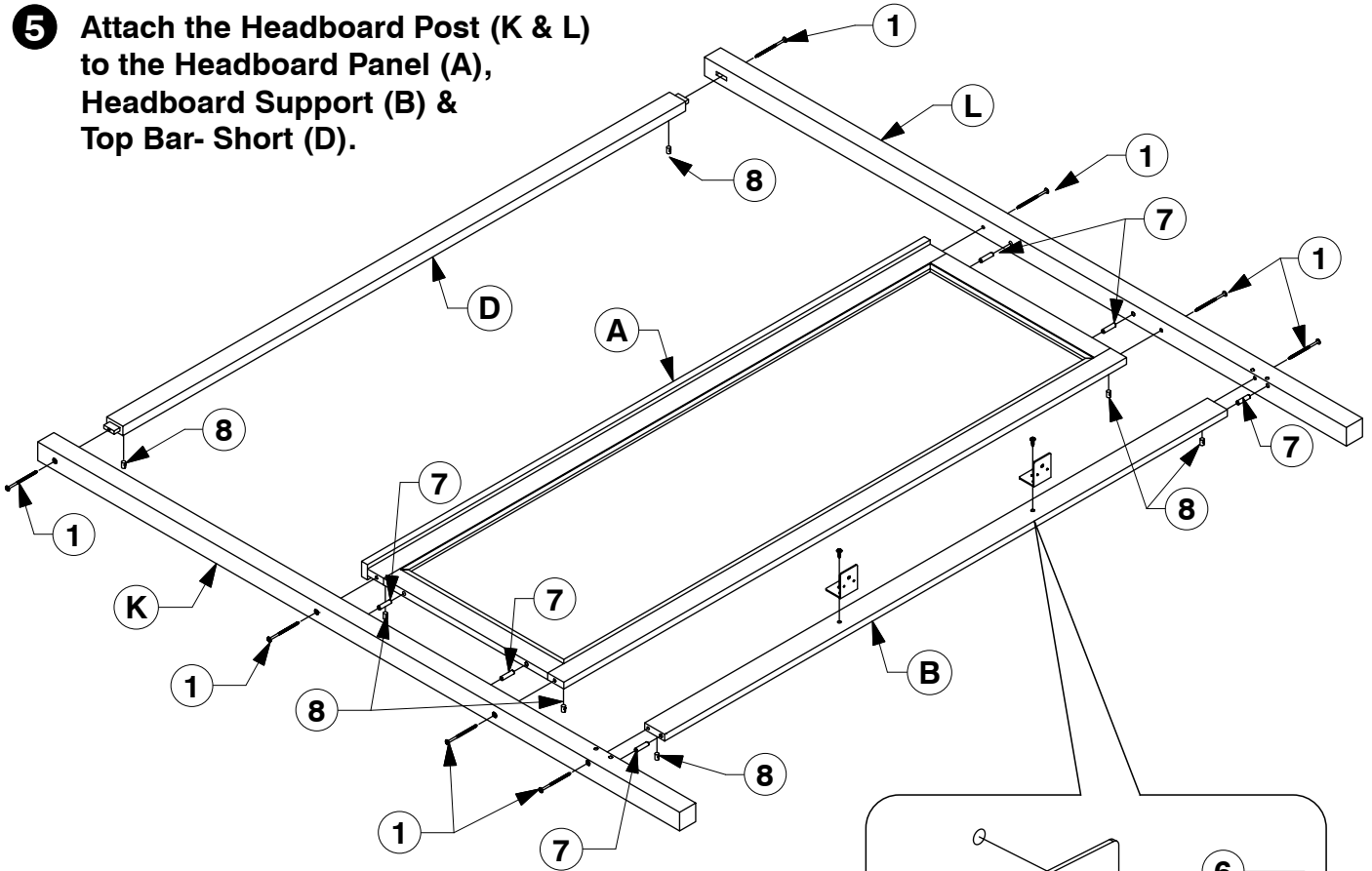


0021-1 Canopy King Bed

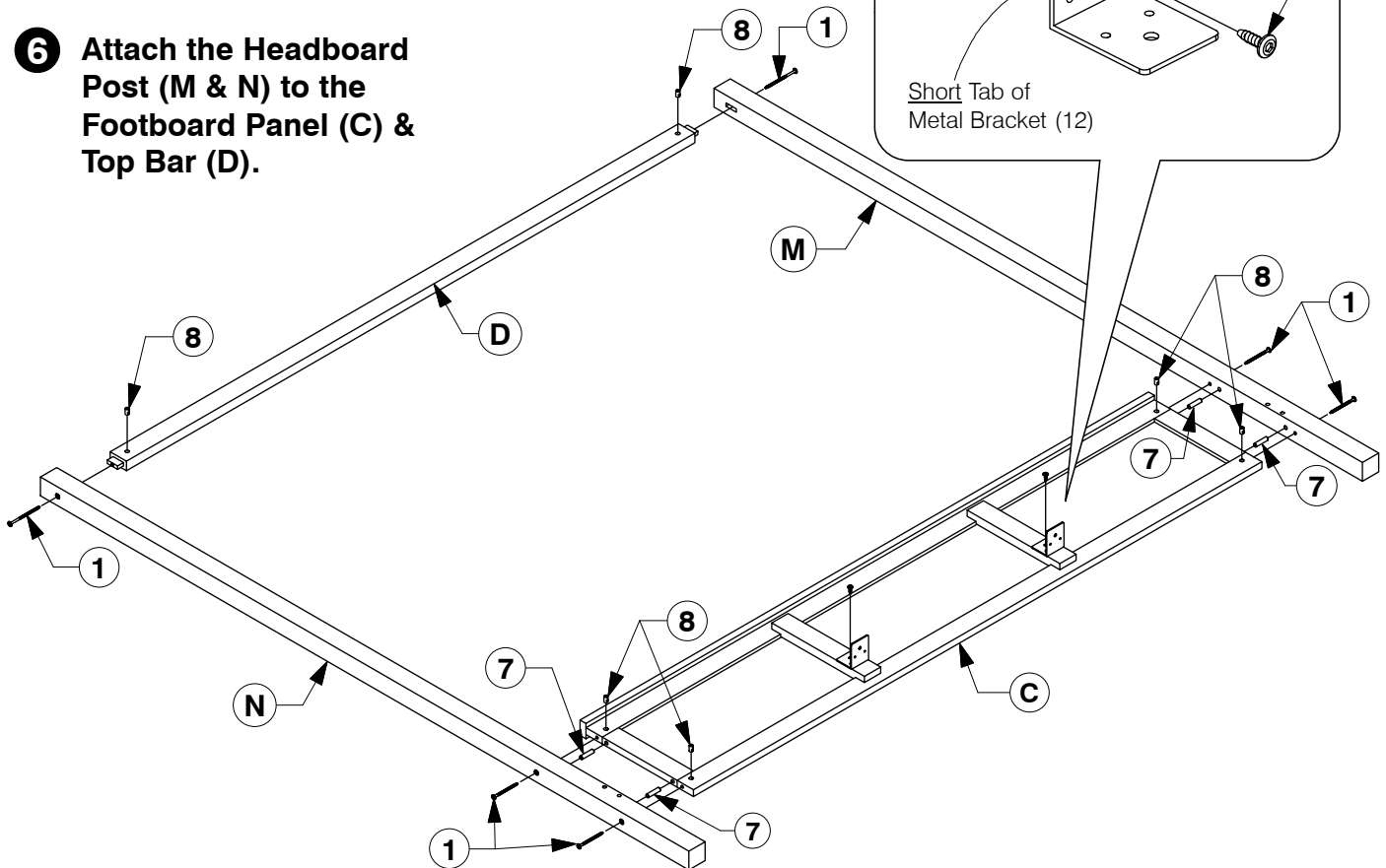
Assembly Instructions

1119

- 5** Attach the Headboard Post (K & L) to the Headboard Panel (A), Headboard Support (B) & Top Bar- Short (D).



- 6** Attach the Headboard Post (M & N) to the Footboard Panel (C) & Top Bar (D).

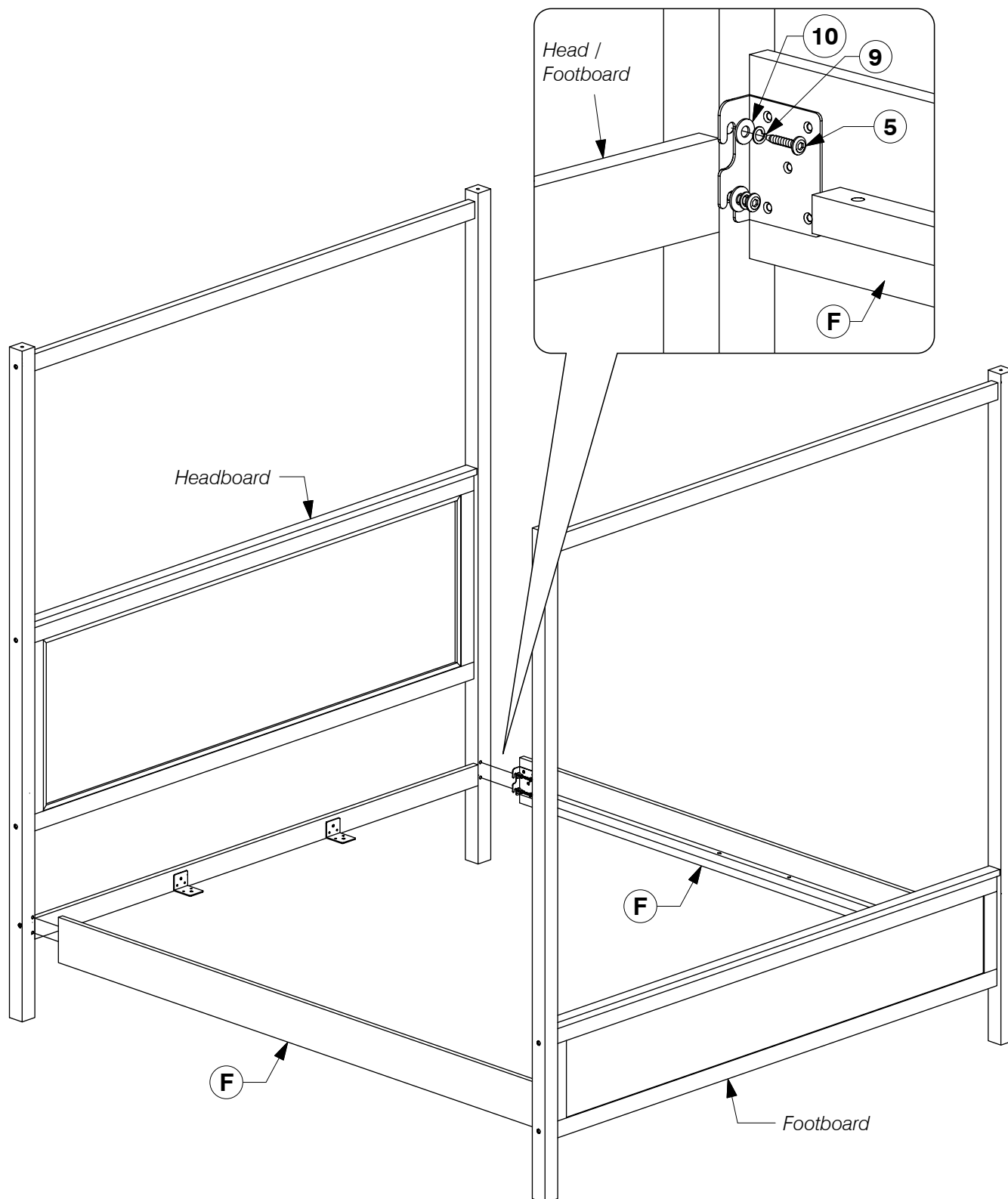


0021-1 Canopy King Bed

Assembly Instructions

1119

- 7** Assemble the Side Rail (F) to the Head / Footboard.

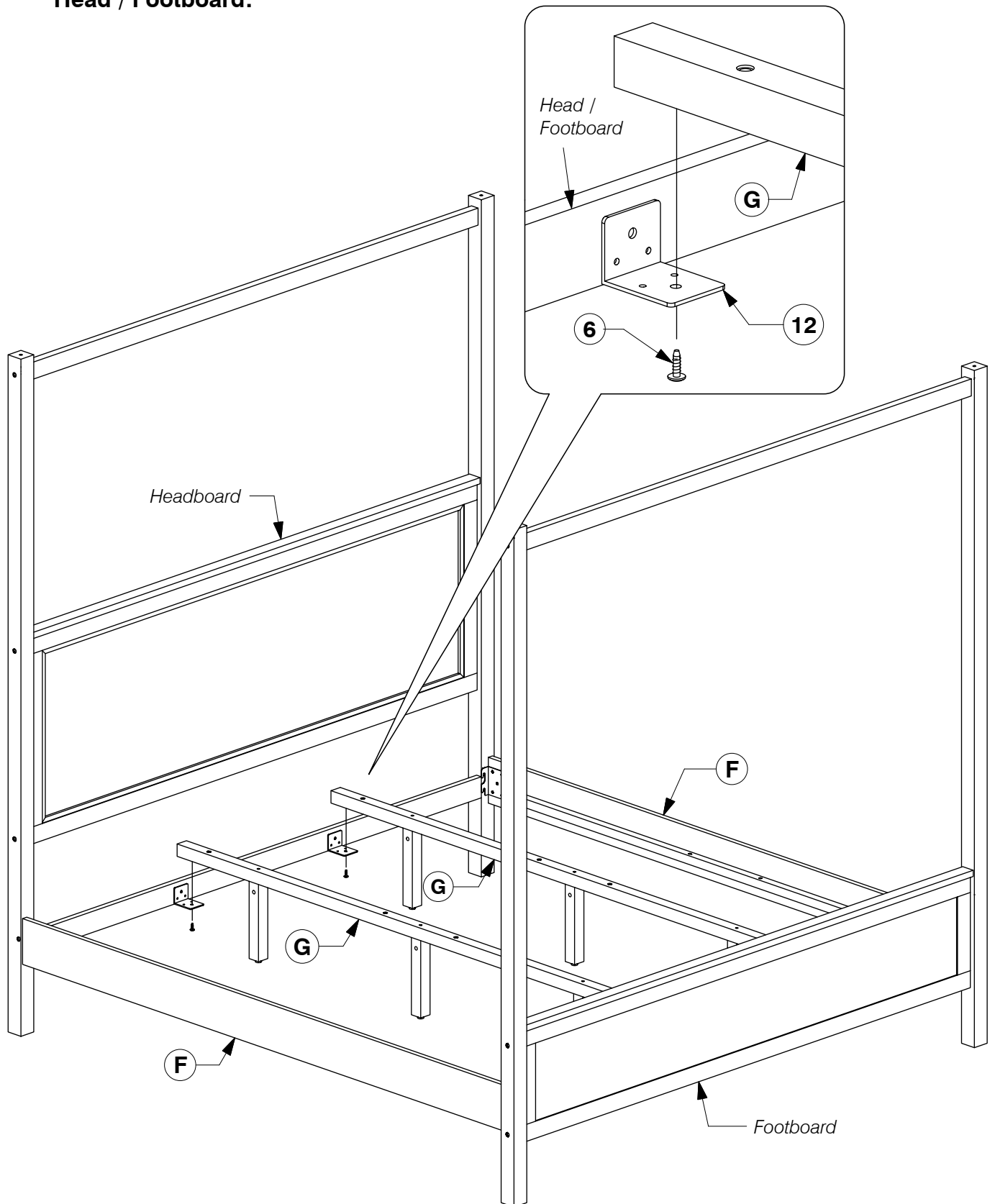


0021-1 Canopy King Bed

Assembly Instructions

1119

- 8** Bolt the Long Support (G) to the Center Rail Brackets on the Head / Footboard.

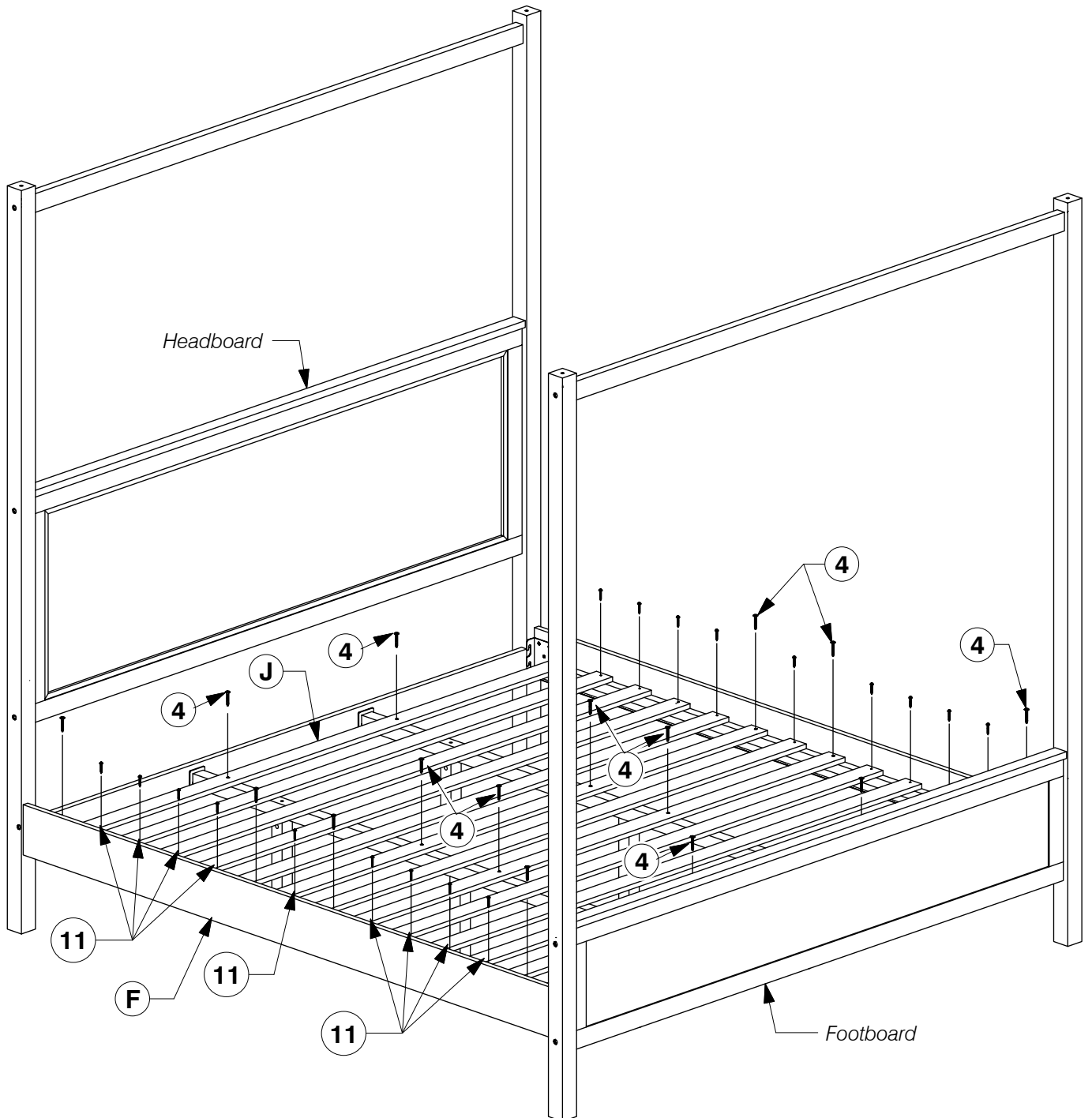


0021-1 Canopy King Bed

Assembly Instructions

1119

- 9** Bolt & screw the Bed Slats (J) to the Side Rail (F).



0021-1 Canopy King Bed

Assembly Instructions

1119

- 10** Fit the Top Bar- Long (E) on top of the Head / Footboard Post.

