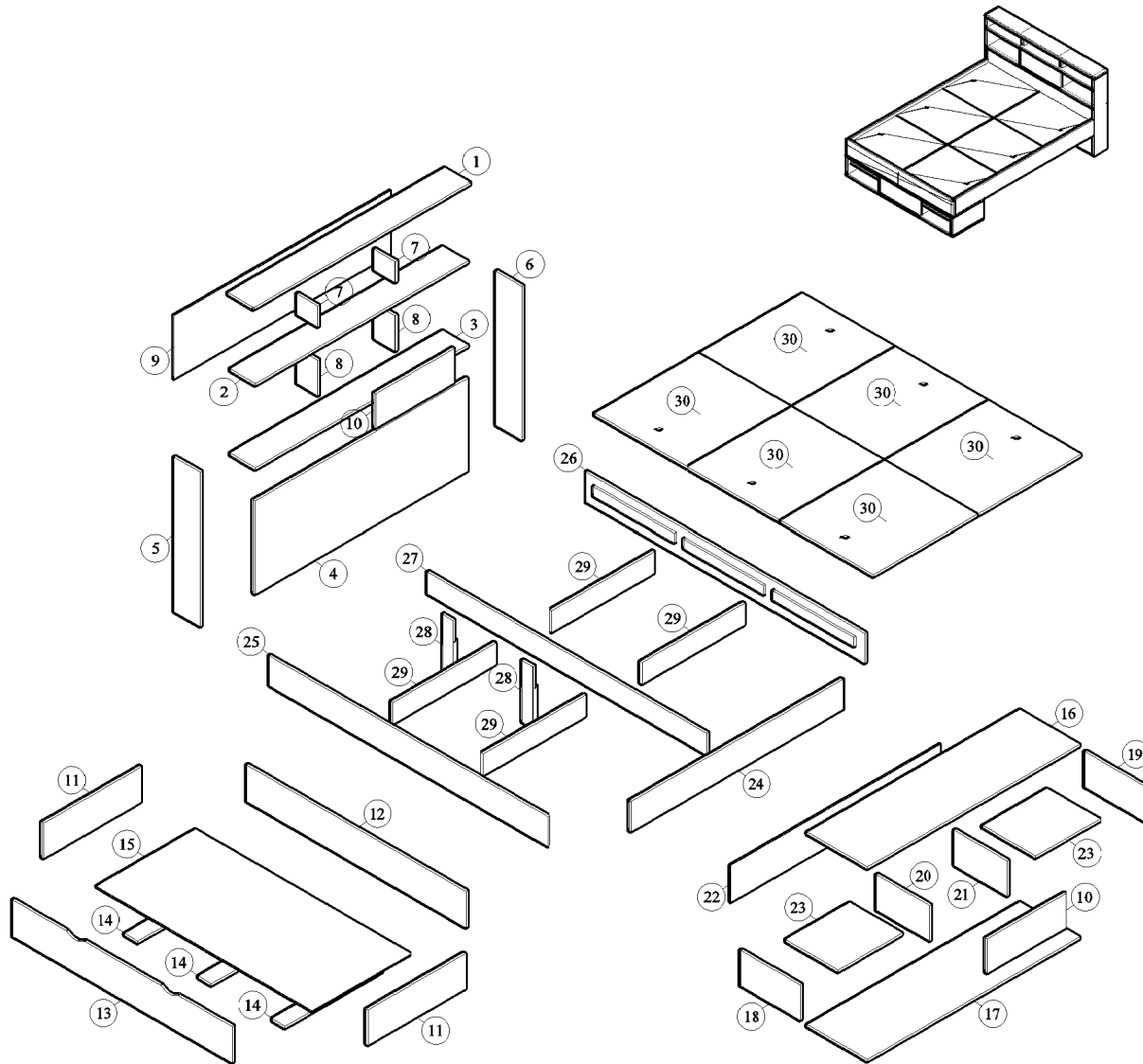
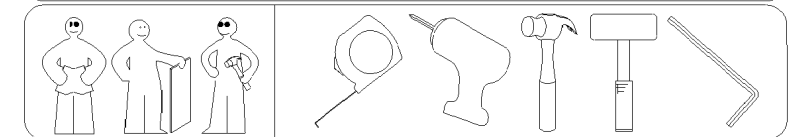


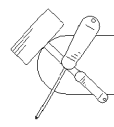
# MODEL : SE BED 13017026WI

## POSITION & PARTS NUMBER



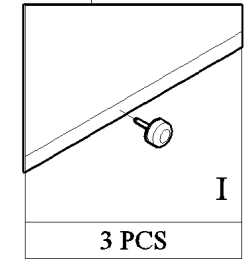
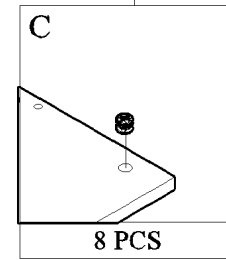
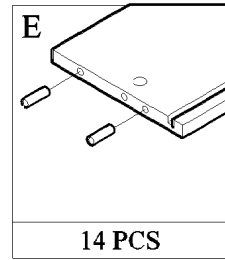
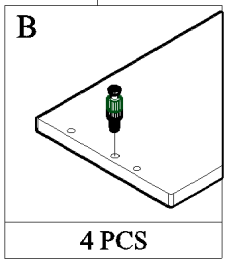
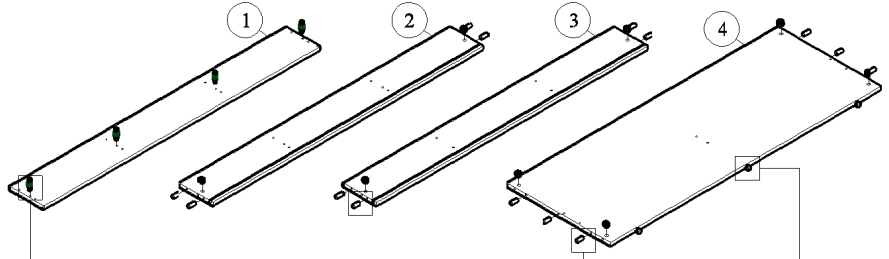
	ACCESSORIES	QUANTITY
A	MINIFIX M7x64MM	4 PCS
B	MINIFIX M5x24MM	50 PCS
C	MINIFIX CASING	58 PCS
D	WOOD DOWEL M8X25MM	2 PCS
E	WOOD DOWEL M8X30MM	78 PCS
F	IRON SHELF SUPPORT	8 PCS
G	SCREW M4x28MM	4 PCS
H	SCREW M6x50MM	18 PCS
I	WHITE LEG PIN	15 PCS
J	POWER PIN	40 PCS
K	ALUMINIUM M RAIL	2 PCS
L	CASTER TWR-25 SCREW M3.5x12MM	6 PCS 12 PCS
M	338 SLIDING ROLLER SCREW M3x12MM	4 SETS 32 PCS
N	L-BRACKET SCREW M3.5x16MM	2 PCS 8 PCS
O	ALLEN KEY	1 PC
P	WOOD DOWEL M8X50MM	8 PCS
Q	SCREW M4x38MM	12 PCS
R	SCREW M3.5x16MM	4 PCS



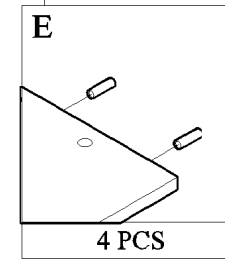
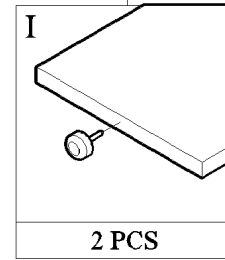
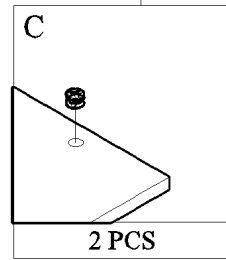
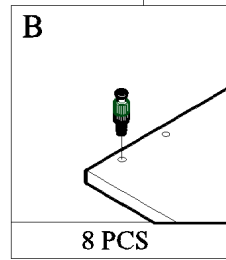
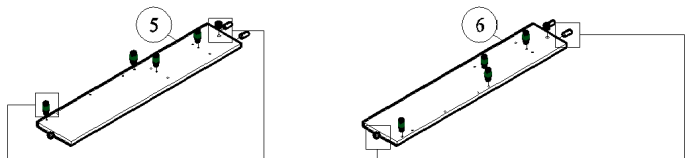


# START ASSEMBLY

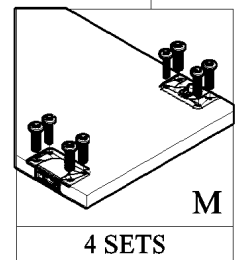
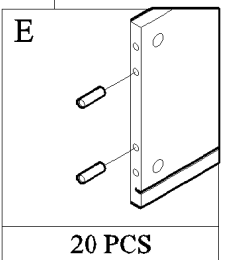
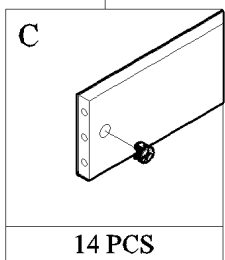
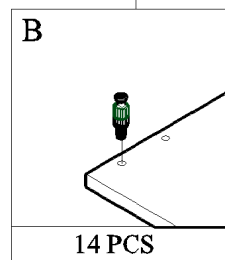
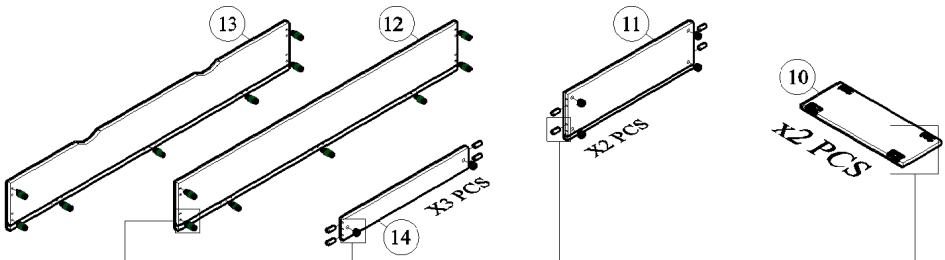
## STEP 1



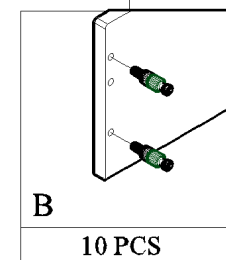
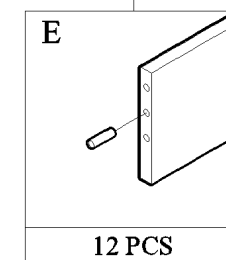
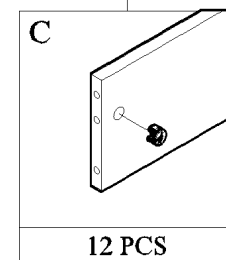
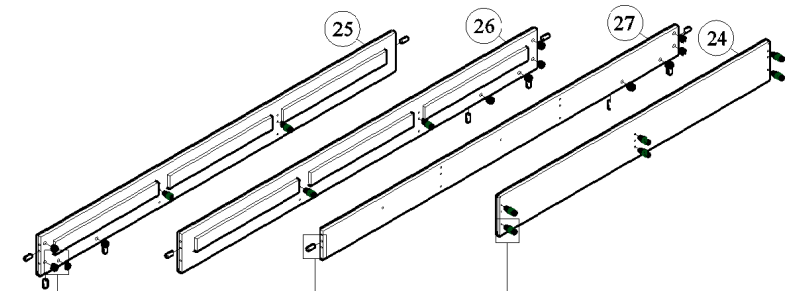
## STEP 2



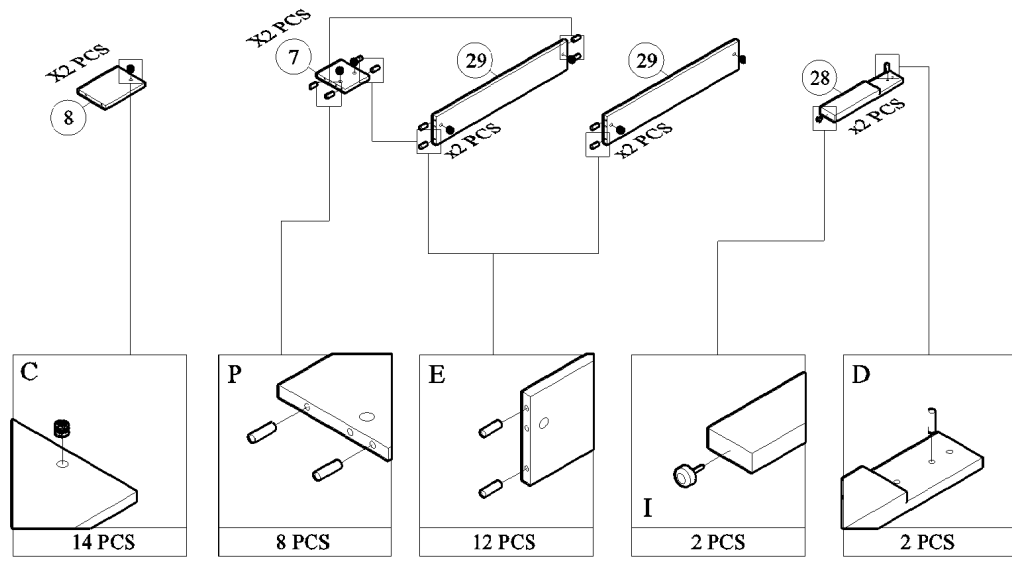
## STEP 3



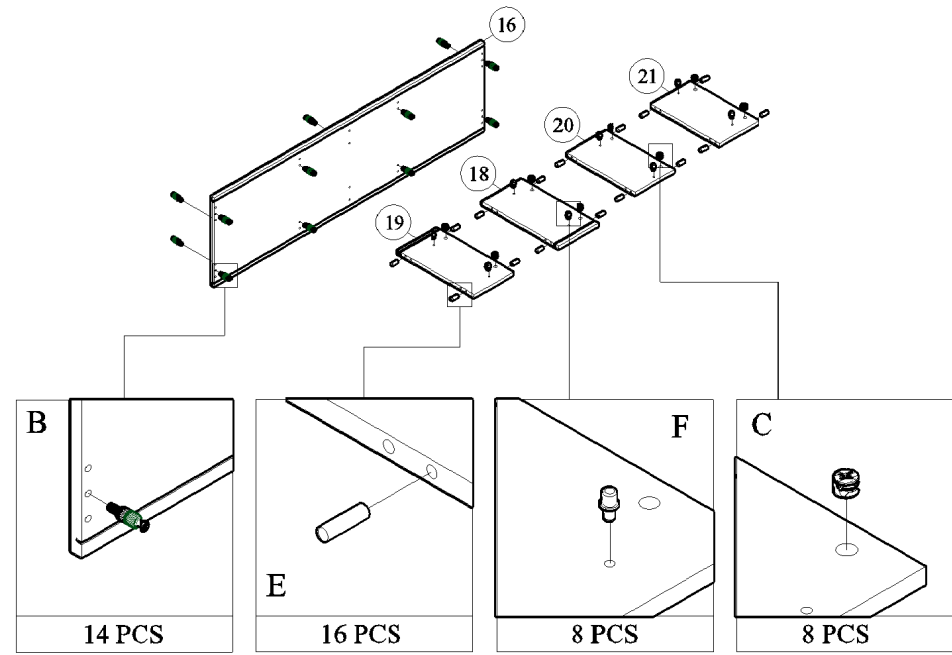
## STEP 4



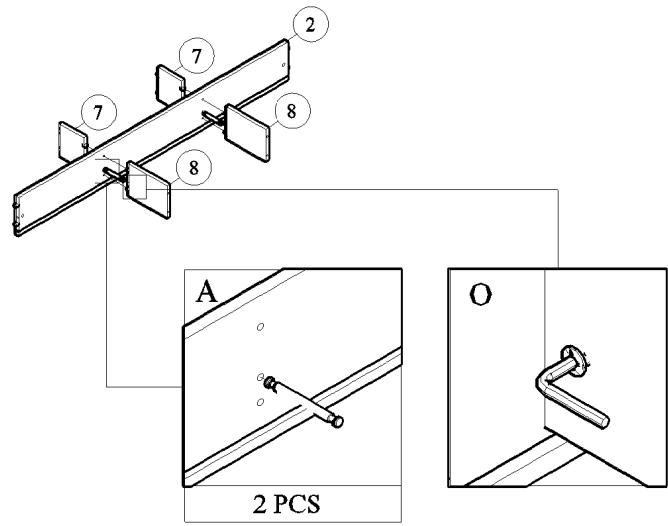
STEP 5



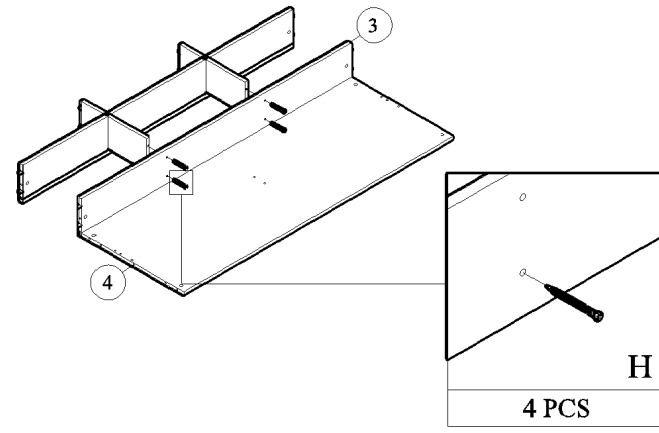
STEP 6



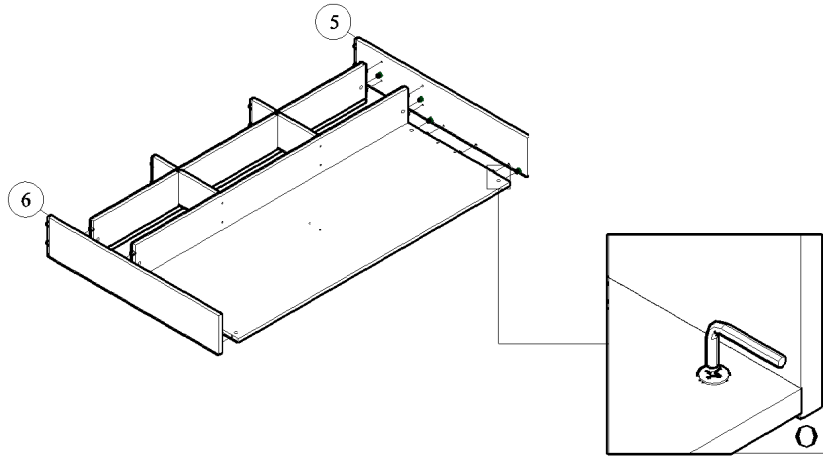
STEP 7



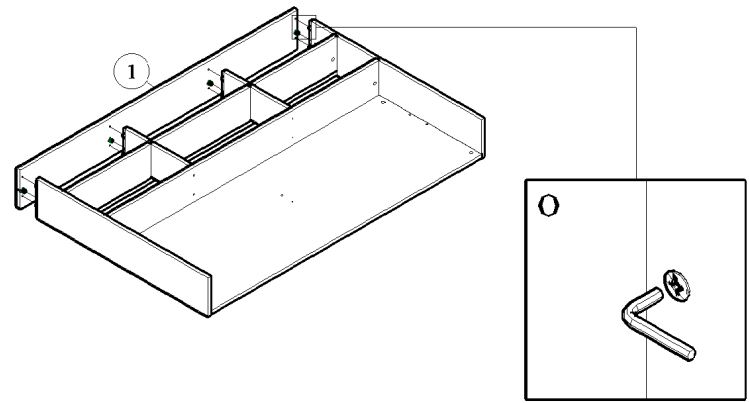
STEP 8



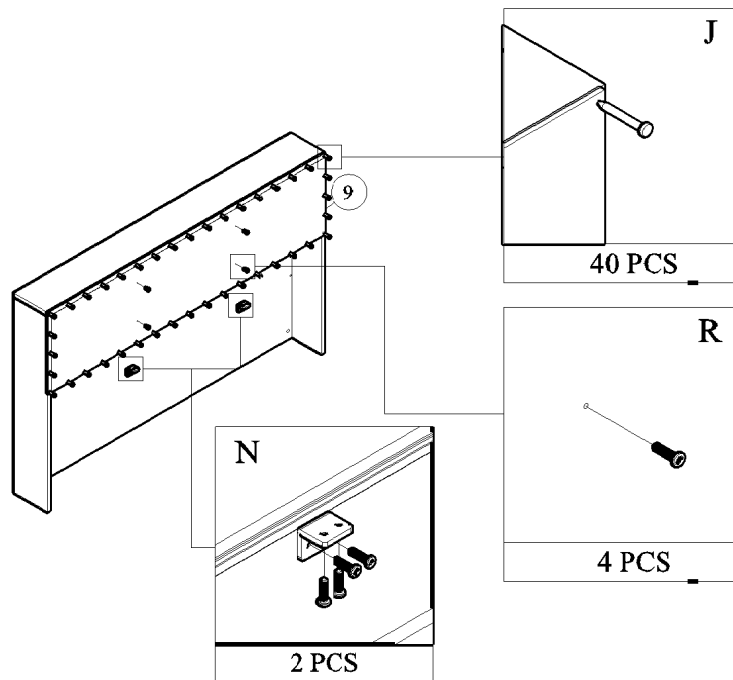
STEP 9



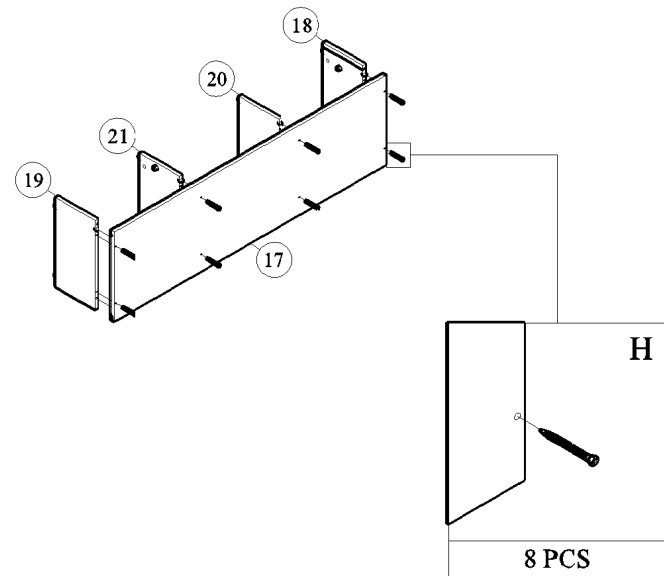
STEP 10



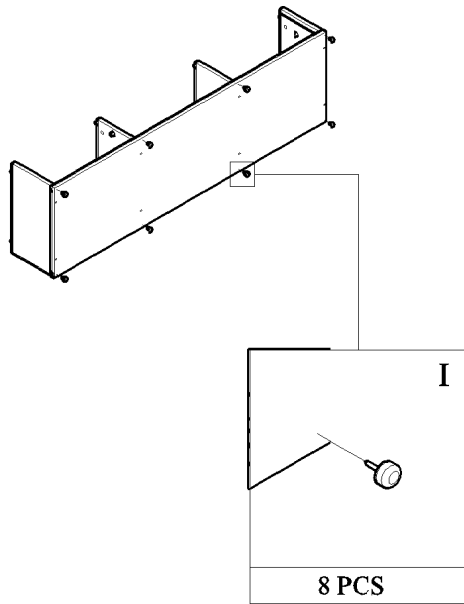
STEP 11



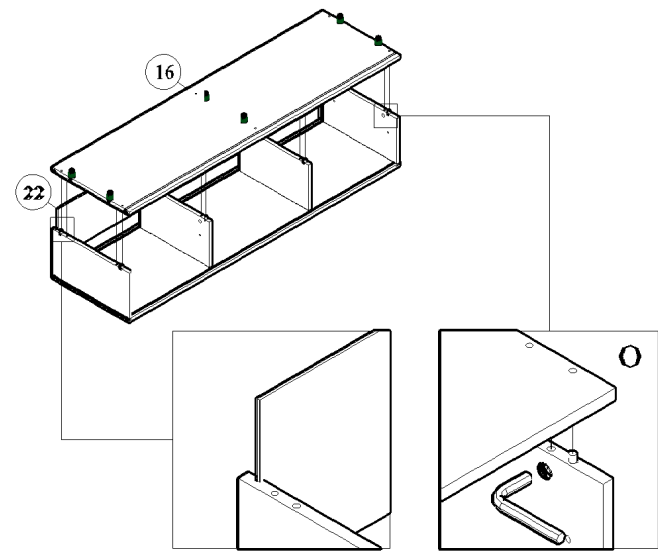
STEP 12



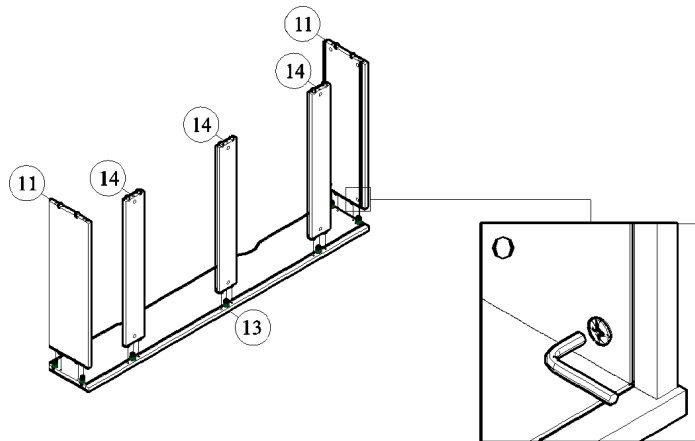
STEP 13



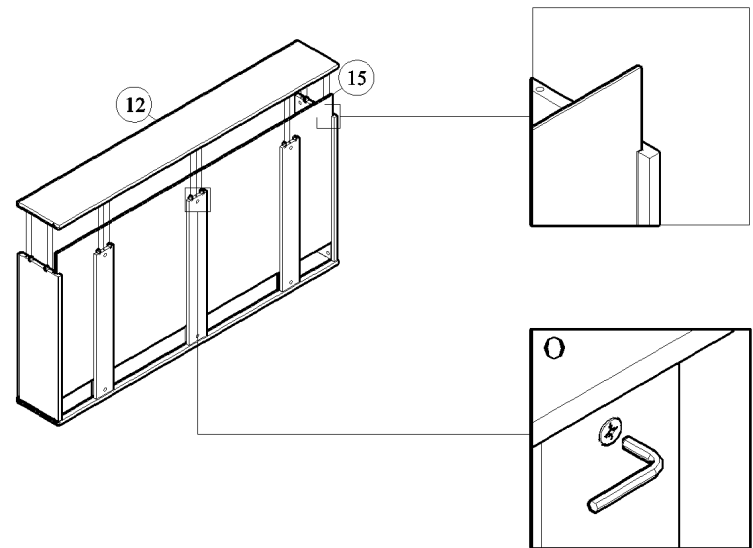
STEP 14



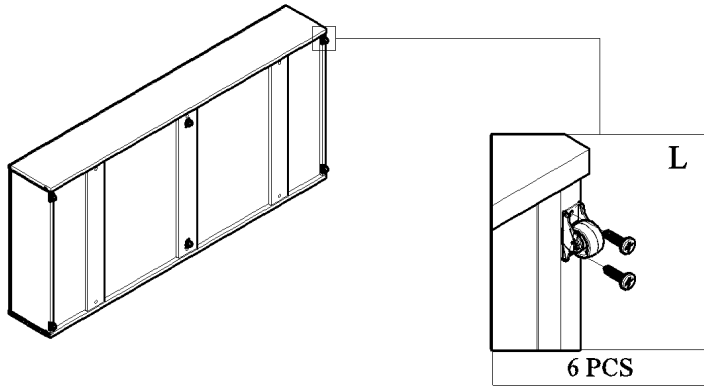
STEP 15



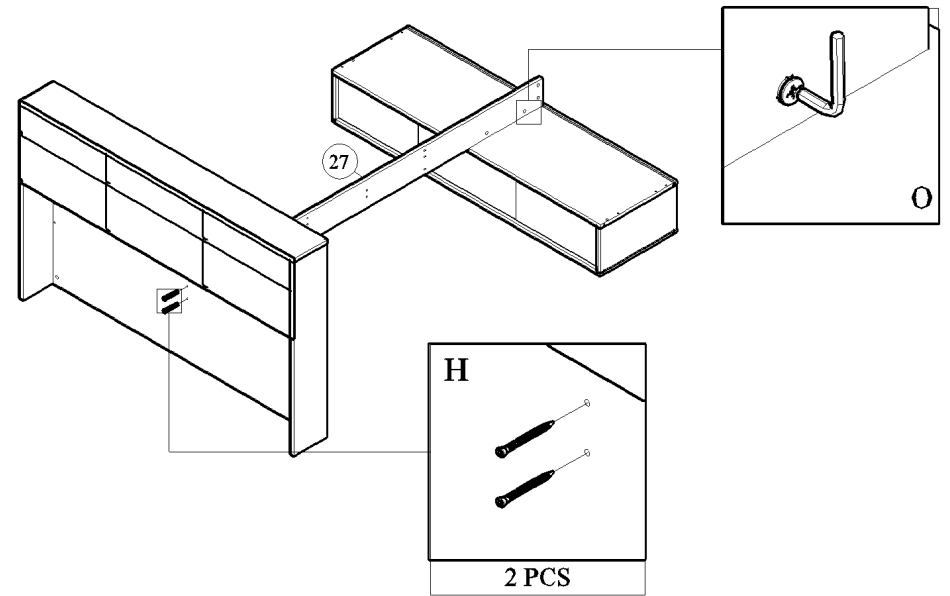
STEP 16



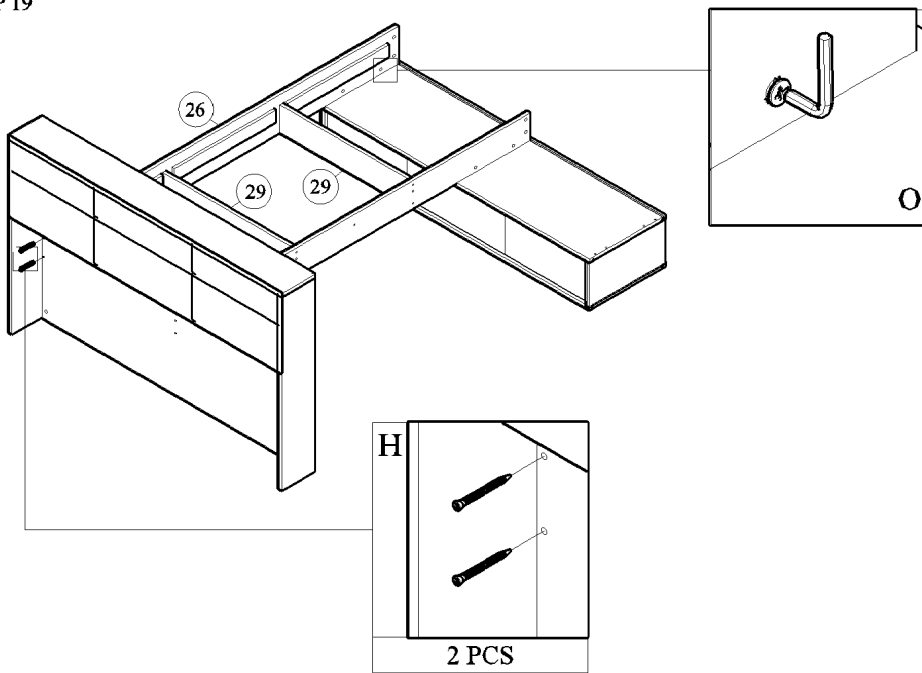
STEP 17



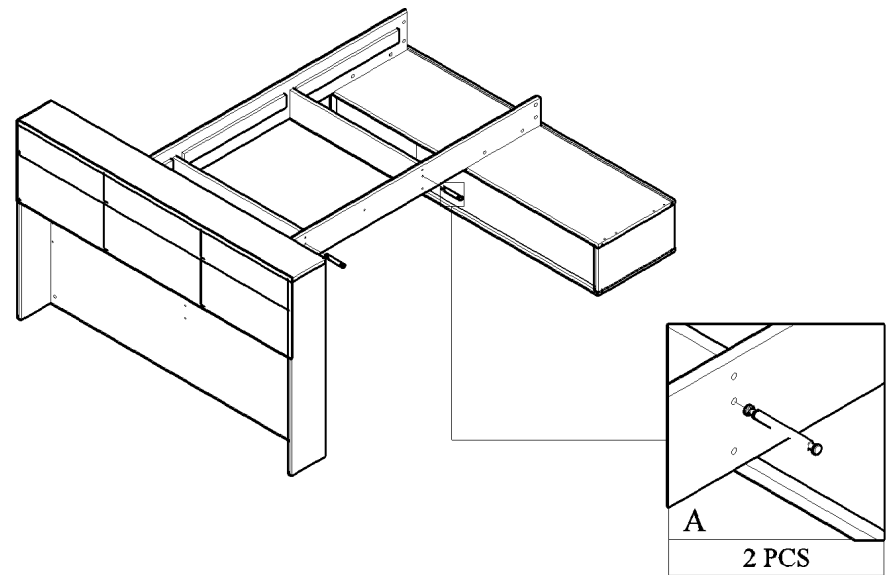
STEP 18



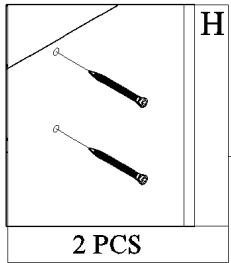
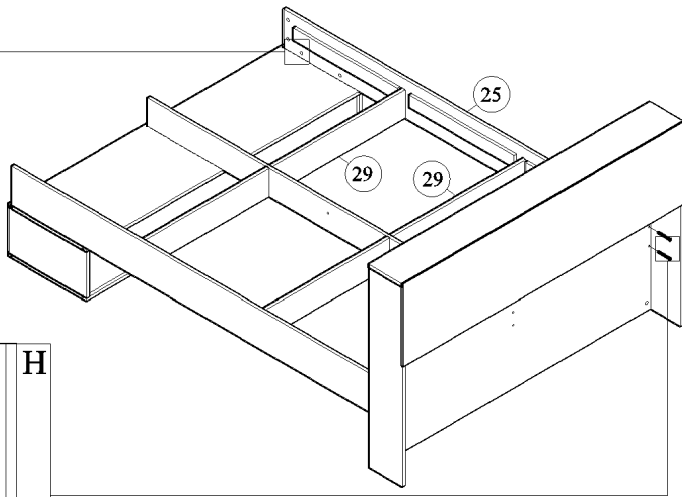
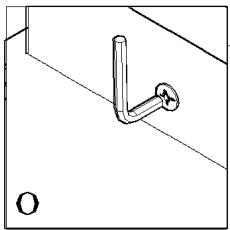
STEP 19



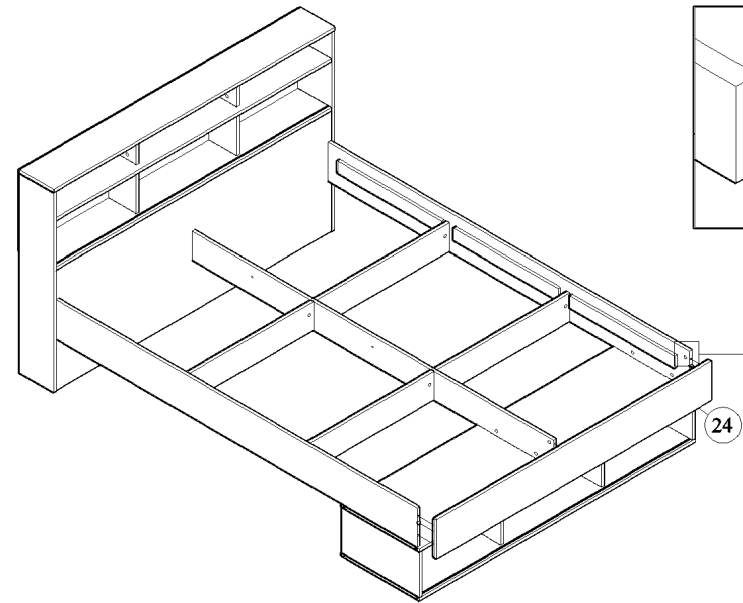
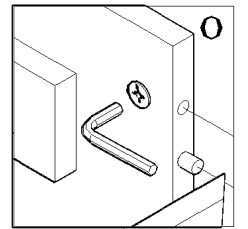
STEP 20

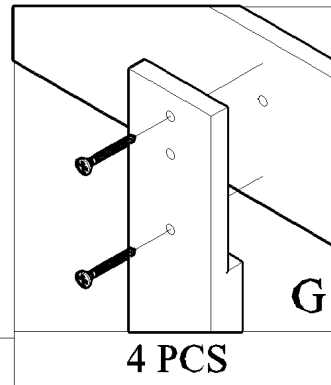
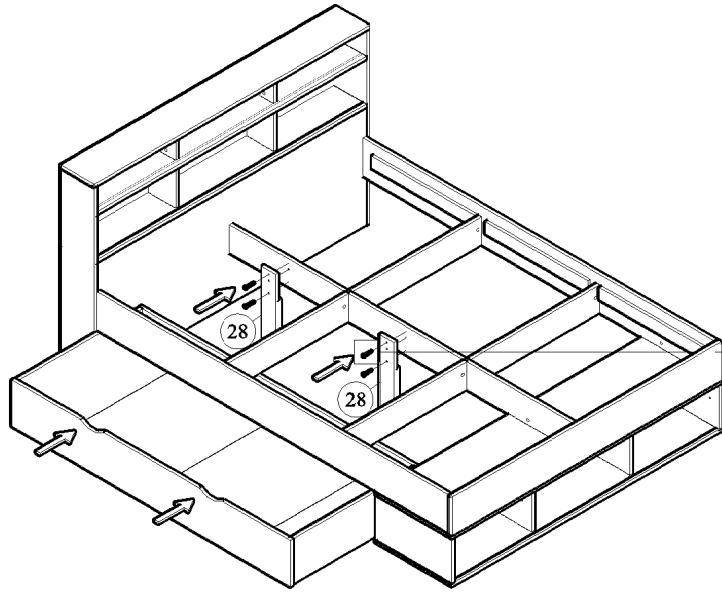


STEP 21



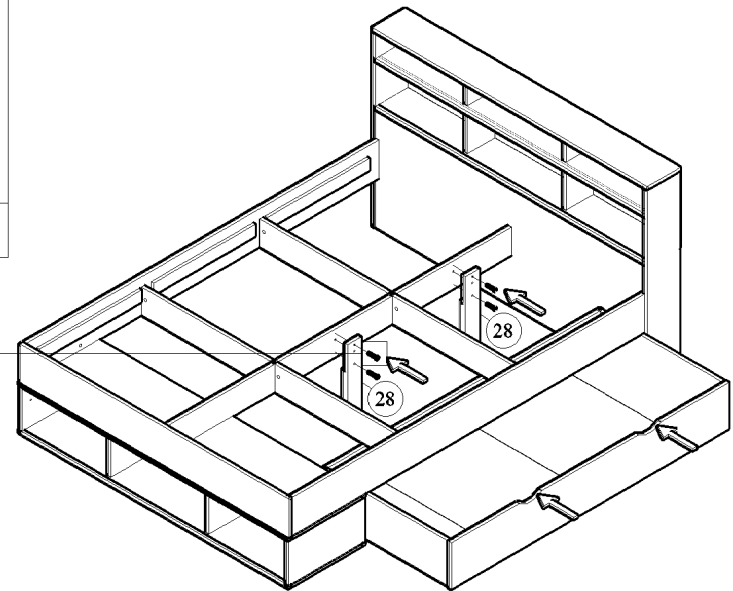
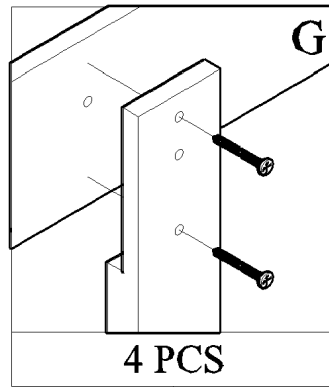
STEP 22





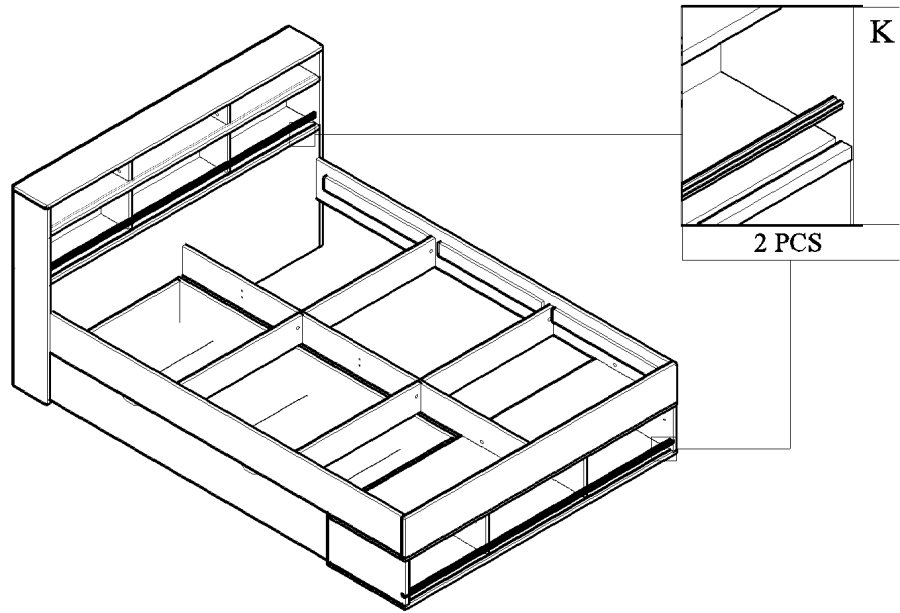
If you choose to place a drawer to the left of the bed.  
You need to install the panel from the left as in the diagram.  
The panel is intended as a drawer stopper.

If you choose to place a drawer to the right of the bed.  
You need to install the panel from the right as in the diagram .  
The panel is intended as a drawer stopper.

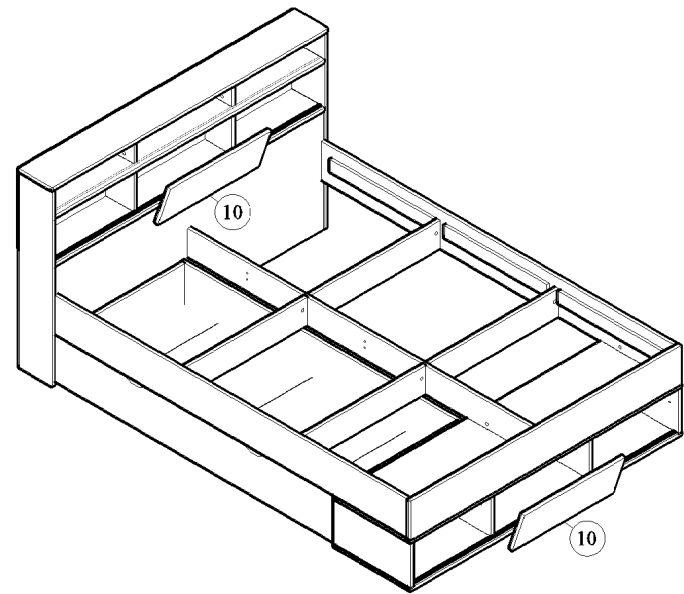




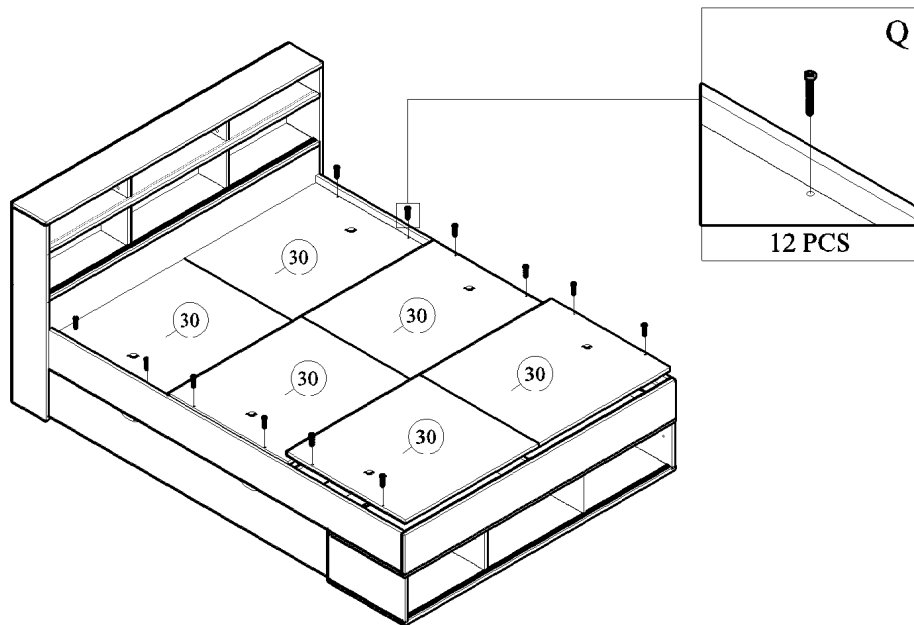
STEP 24



STEP 25



STEP 26



COMPLETED

