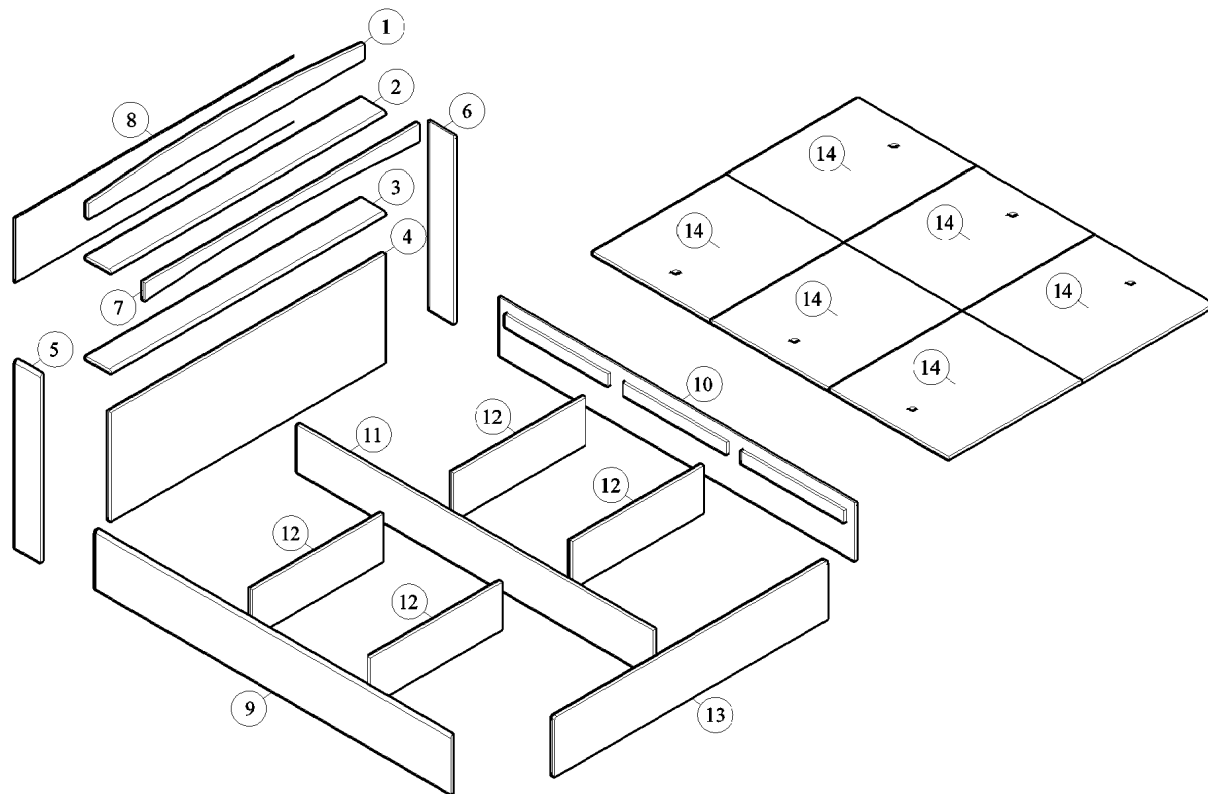
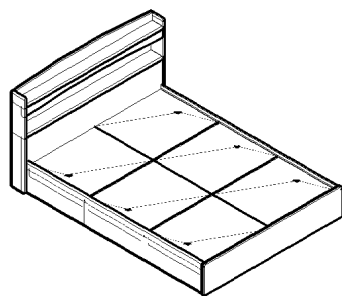













MODEL : SE BED 13015026WI-CLB BK

POSITION & PARTS NUMBER



	ACCESSORIES	QUANTITY
A	 MINIFIX M7 x 64MM	2 PCS
B	 MINIFIX M5 x 24MM	22 PCS
C	 MINIFIX CASING	26 PCS
D	 WOOD DOWEL M8 x 30MM	42 PCS
E	 WHITE LEG PIN	19 PCS
F	 POWER PIN	38 PCS
G	 SCREW M6 x 50MM	6 PCS
H	 SCREW M4 x 28MM	2 PCS
I	 ALLEN KEY	1 PC
J	 SCREW M4 x 38MM	12 PCS
K	 WOOD DOWEL M8 x 50MM	4 PCS



CHEMICAL



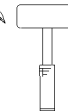
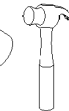
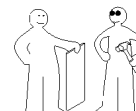
HANDLE WITH CARE

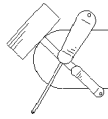


KEEP DRY



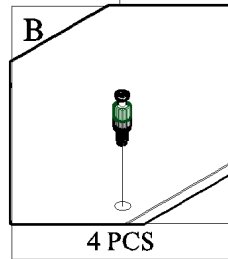
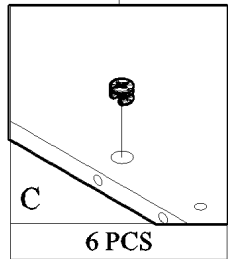
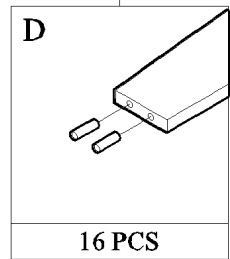
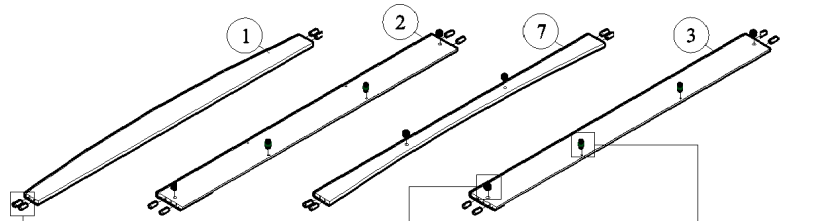
HARD SURFACE



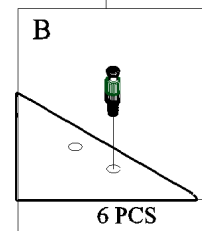
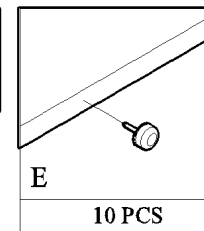
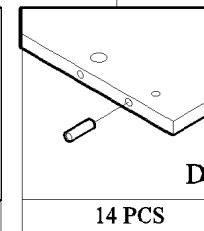
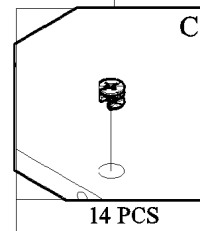
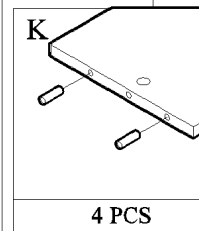
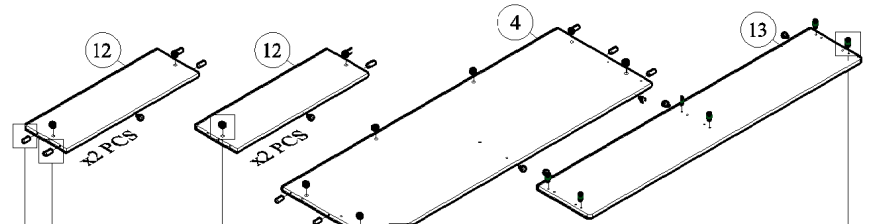


START ASSEMBLY

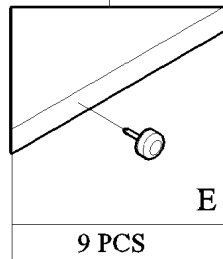
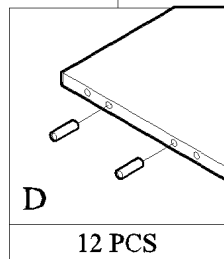
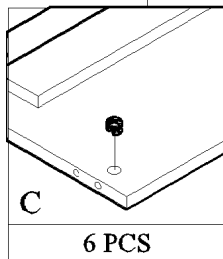
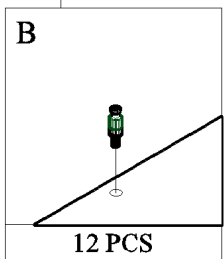
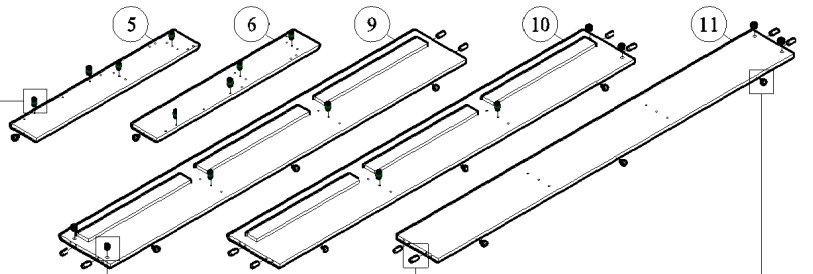
STEP 1



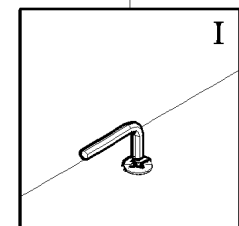
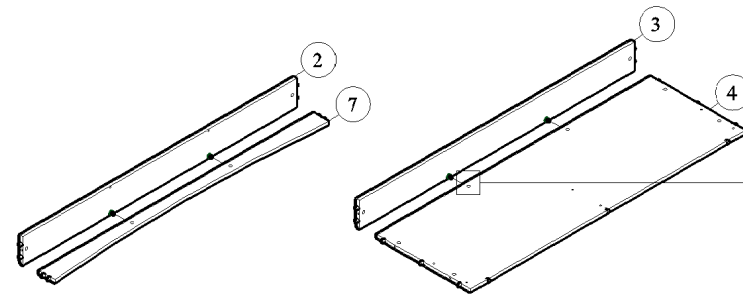
STEP 2



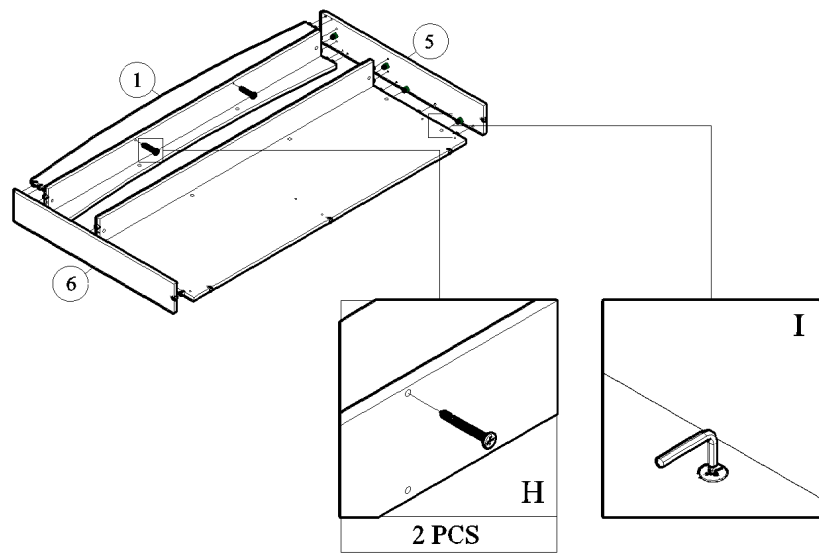
STEP 3



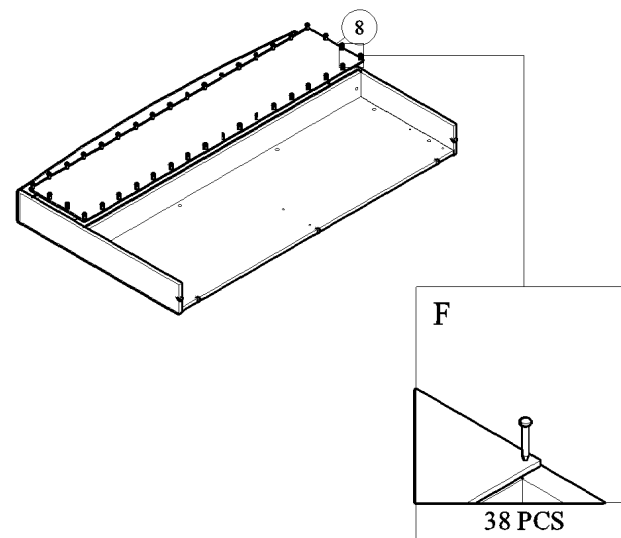
STEP 4



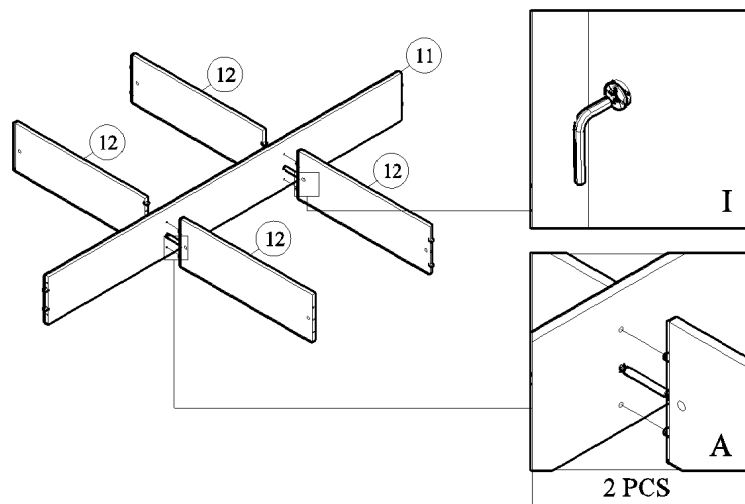
STEP 5



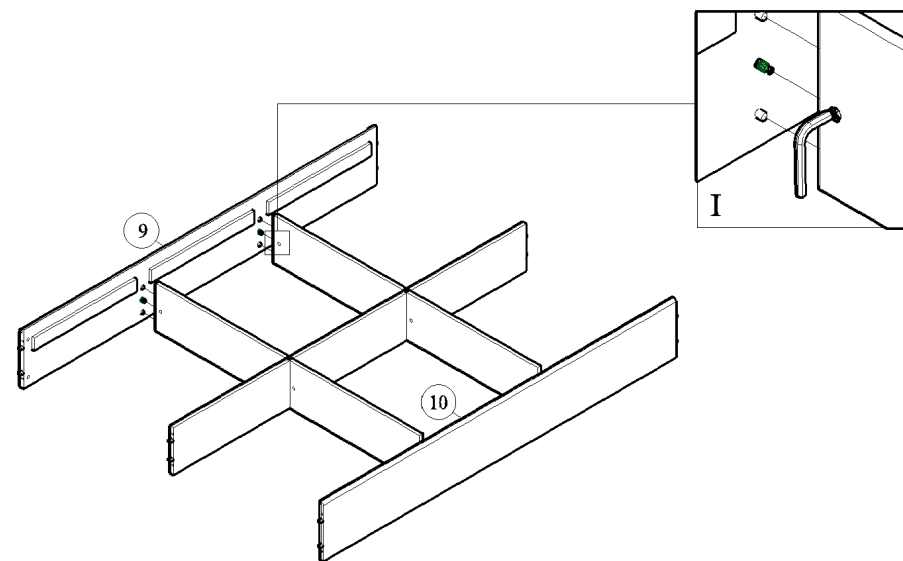
STEP 6



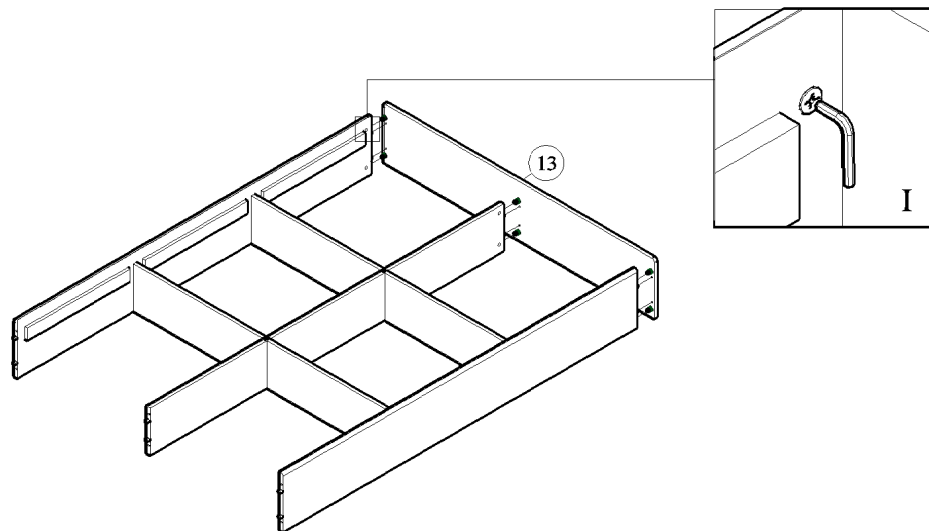
STEP 7



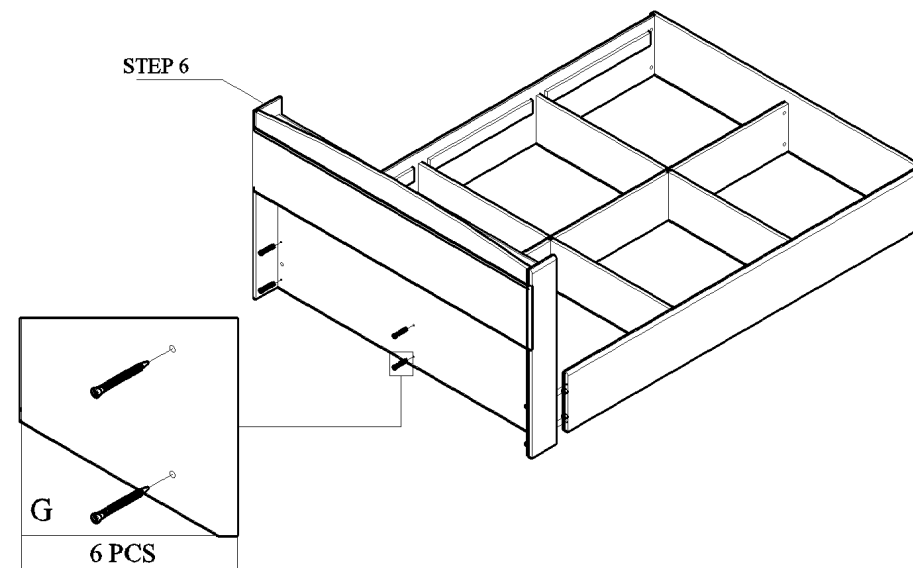
STEP 8



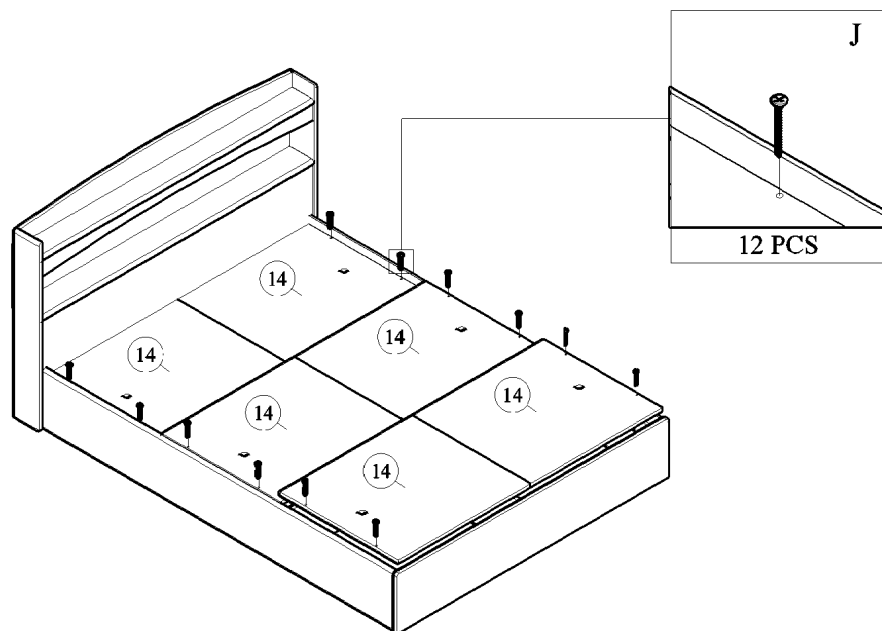
STEP 9



STEP 10



STEP 11



COMPLETED

