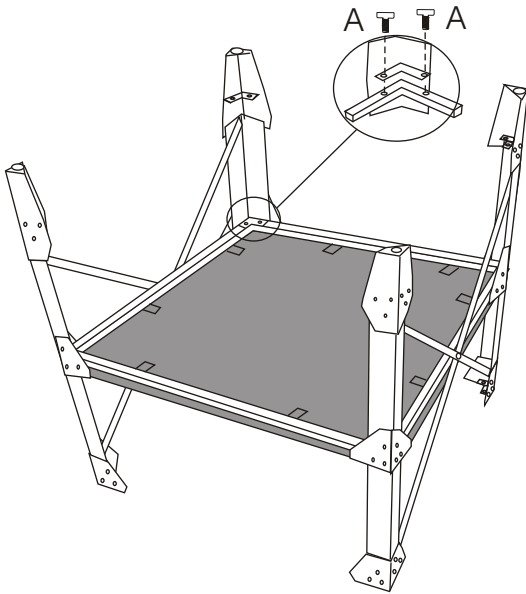
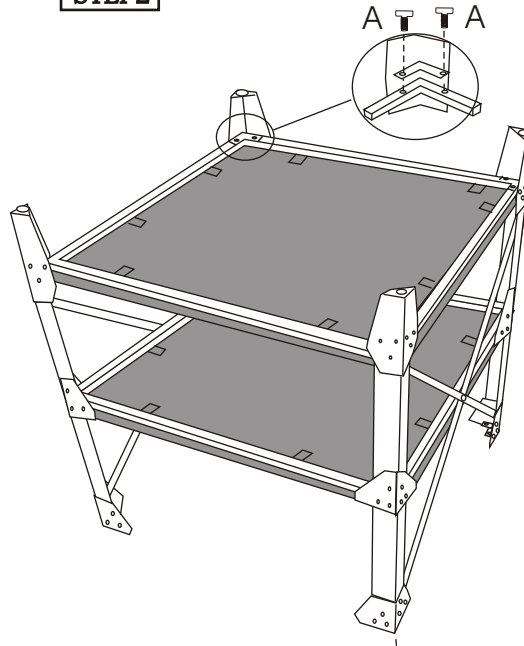


# YLX-2694-ET

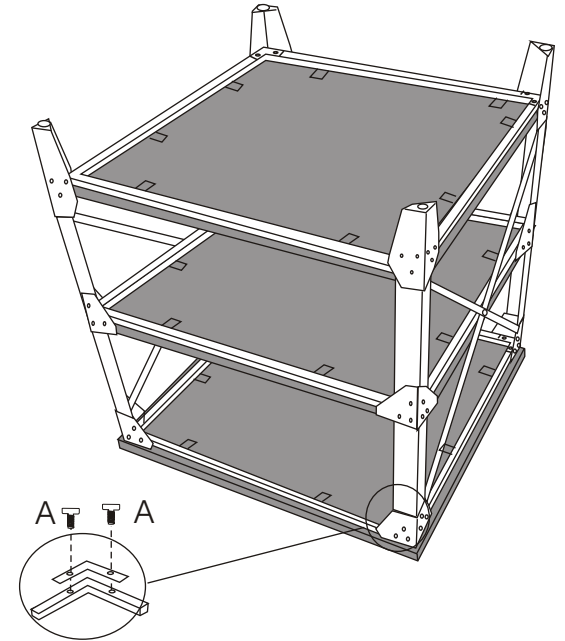
STEP1



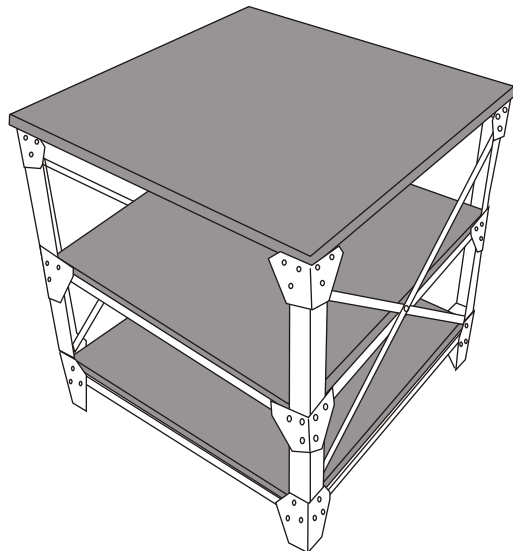
STEP2

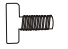



STEP3

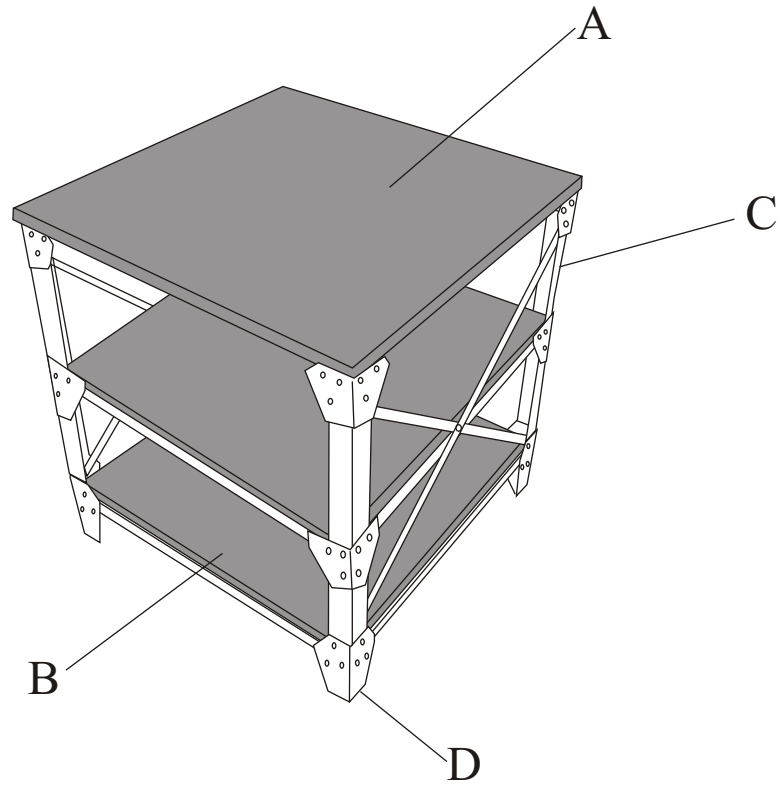


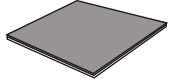
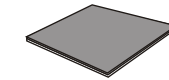
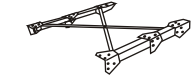

STEP4



A		24X	1/4"*12mm
B		1X	S4

**Note: Pls do not tighten all bolts until the products is assembled completely.**



YLX-2694 ET	A		1X
	B		2X
	C		2X
	D	 $\phi 18*1/4"*10\text{mm}$	4X