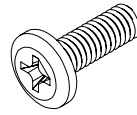
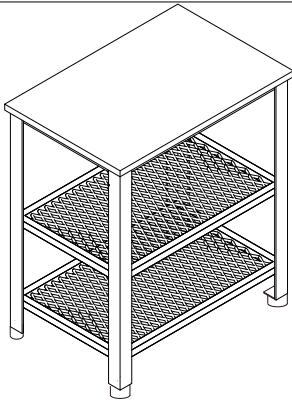
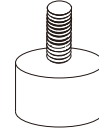


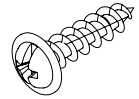
# WI10301



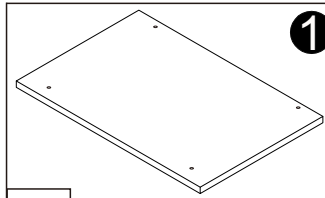
**A** 12PCS



**B** 4PCS

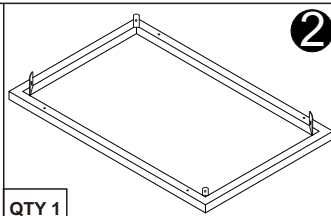


**C** 4PCS



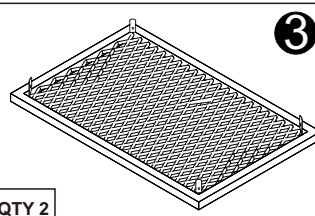
**1**

QTY 1



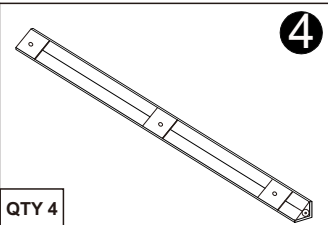
**2**

QTY 1



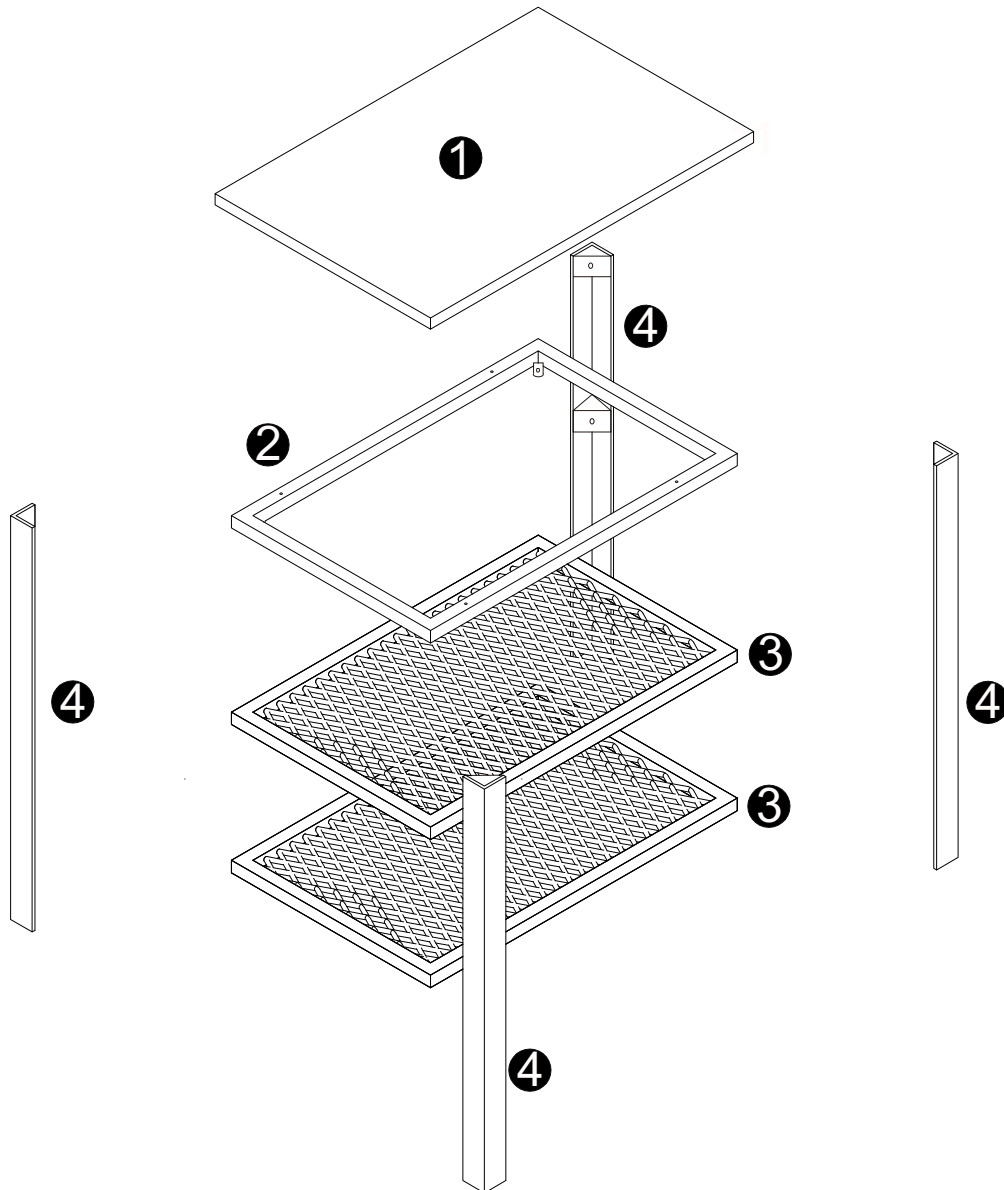
**3**

QTY 2

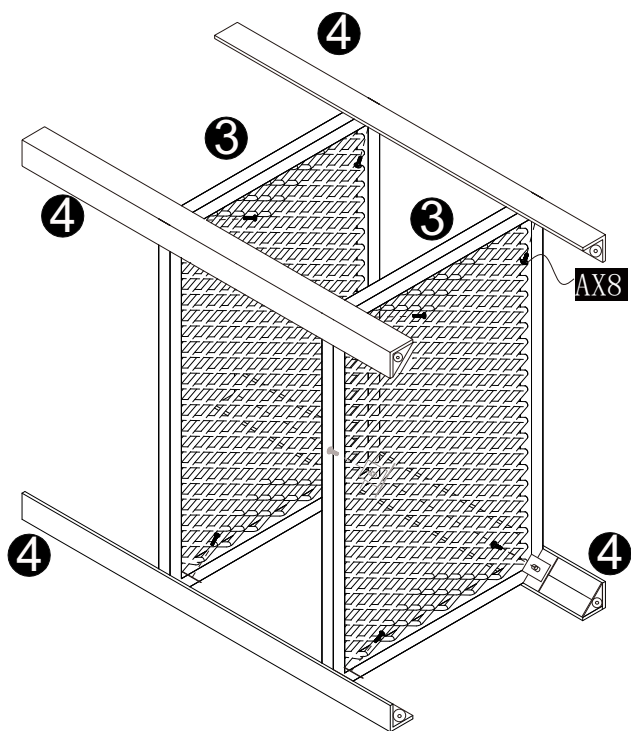


**4**

QTY 4

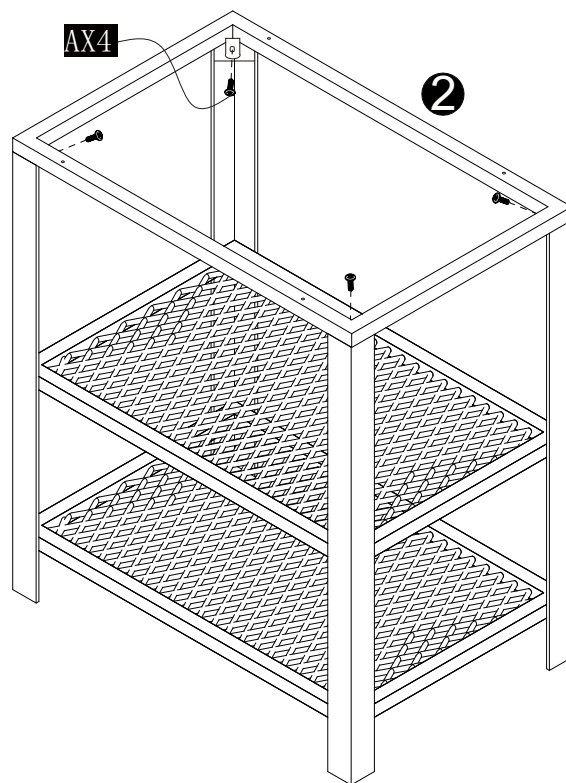


1



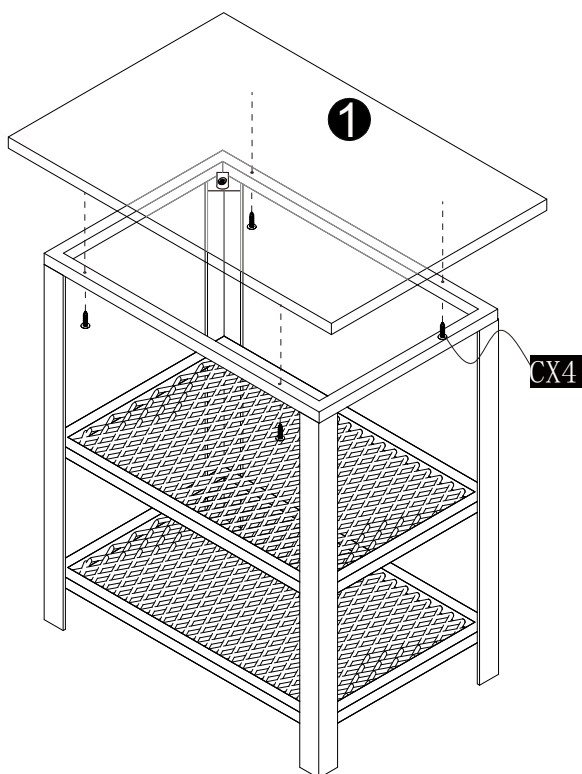
· Fix the 4 part to the 3 part with the hardware A.

2



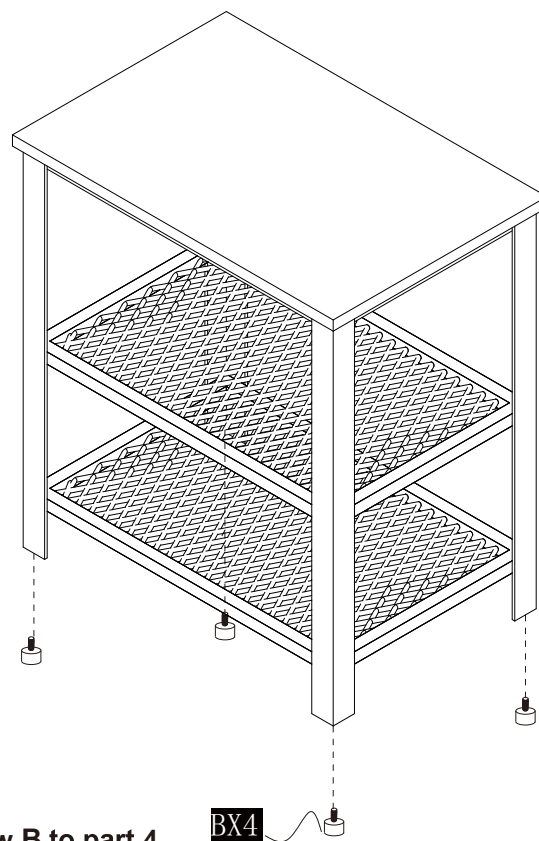
· Fix the 2 part to the 4 part with the hardware A.

3



Fix the 1 part to the 2 part with the hardware C.

4



· Screw B to part 4.