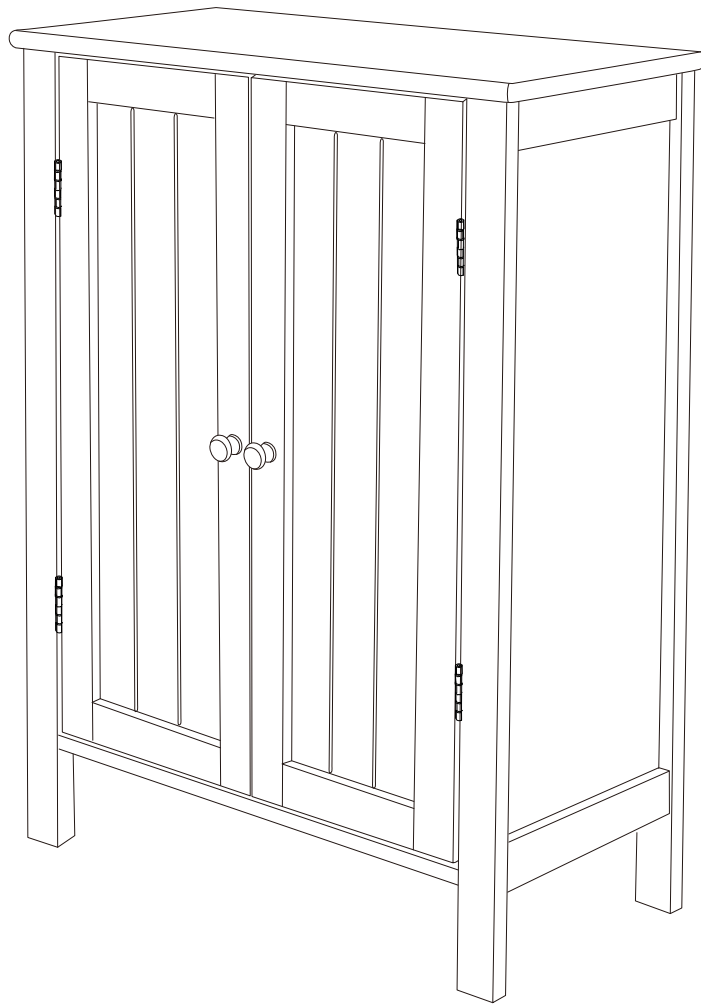
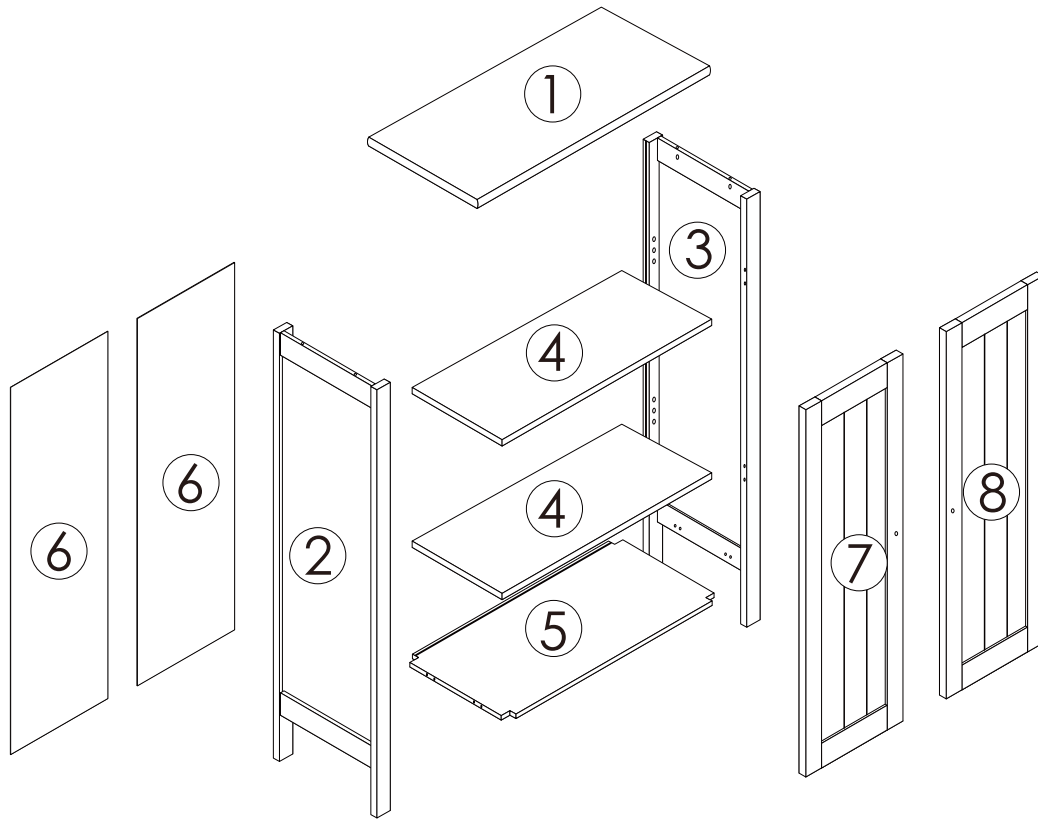
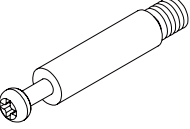
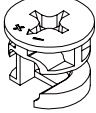
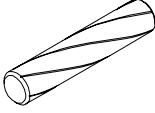
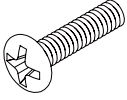
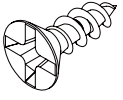
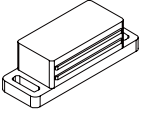
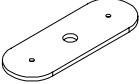
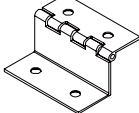


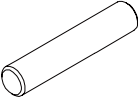
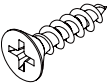
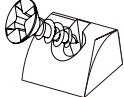

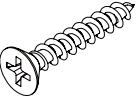
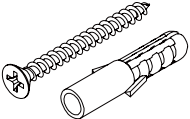
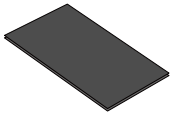


WI10300

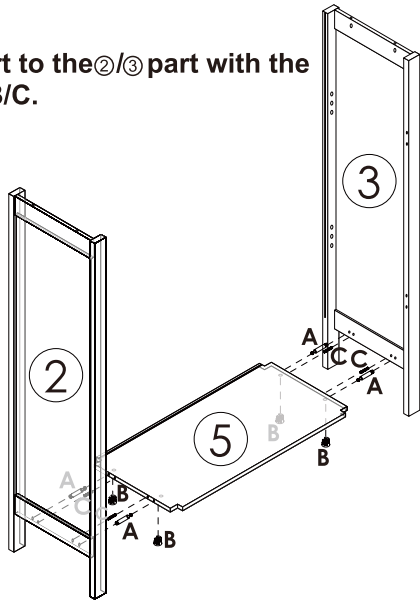




A  8PCS	B  8PCS	C  4PCS	D  2PCS	E  18PCS
F  1PC	G  2PCS	H  4PCS	I  2PCS	J  1PC
K  8PCS	L  2PCS	M  4PCS	N  1PC	O  1PC
P  1PC	Q  4PCS			

STEP 1

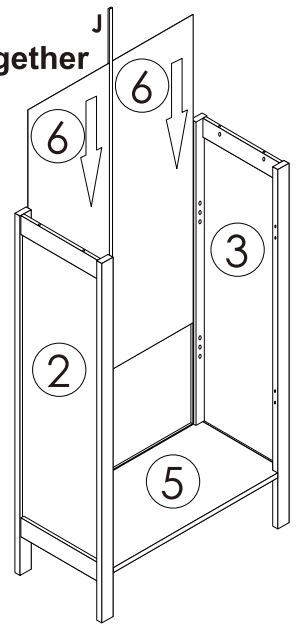
Fix the ⑥ part to the ②/③ part with the hardware A/B/C.



	A x4PCS
	B x4PCS
	C x4PCS

STEP 2

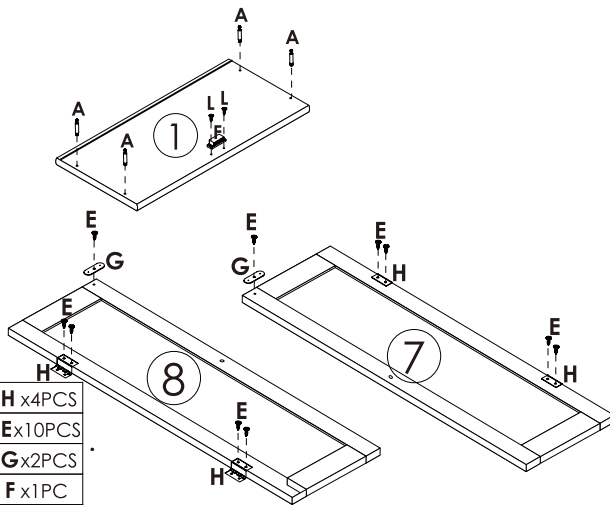
Part ⑥ and part ②/③/⑤ together



	J x1PC
--	--------

STEP 3

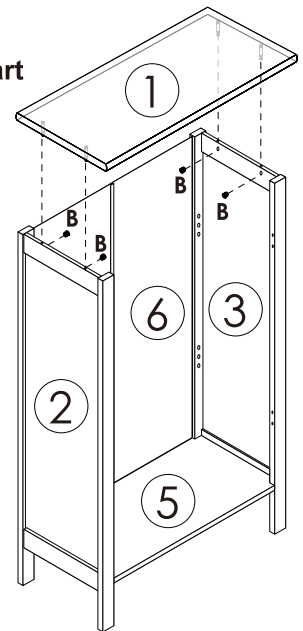
Screw part A/E/F/H/G/L and part ①/⑦/⑧ together



	H x4PCS
	E x10PCS
	G x2PCS
	F x1PC
	L x2PCS

STEP 4

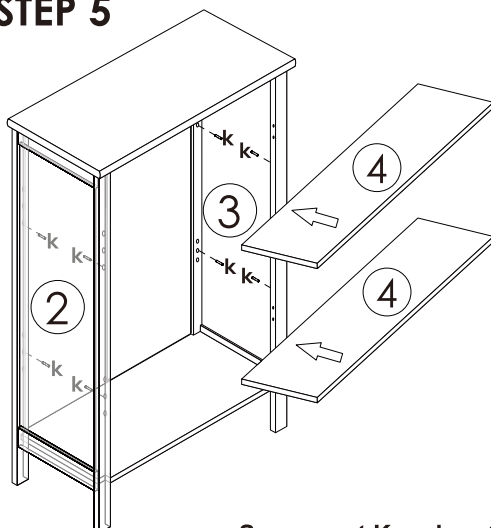
Fix the ① part to the ②/③ part with the hardware B.



	B x4PCS
--	---------

STEP 5

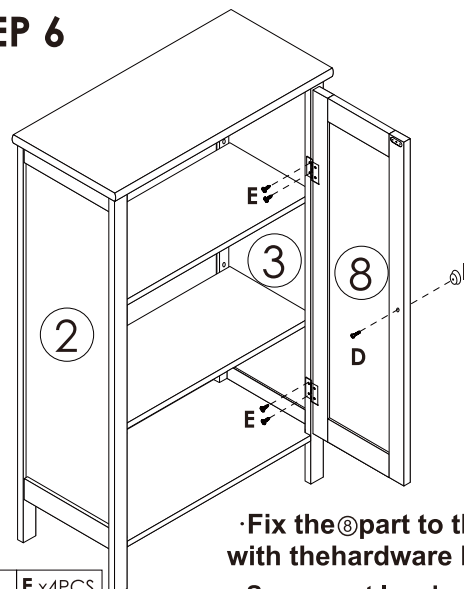
Screw part K and part ②/③ together



	K x8PCS
--	---------

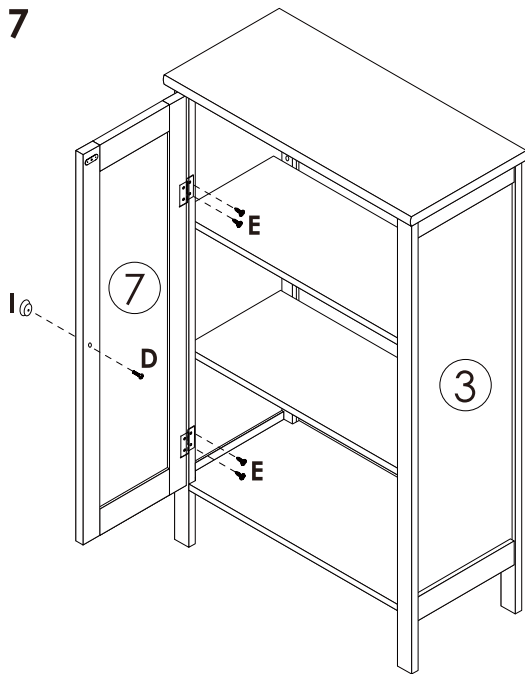
STEP 6

Fix the ⑧ part to the ③ part with the hardware E.
Screw part I and part D together



	E x4PCS
	D x1PC
	I x1PC

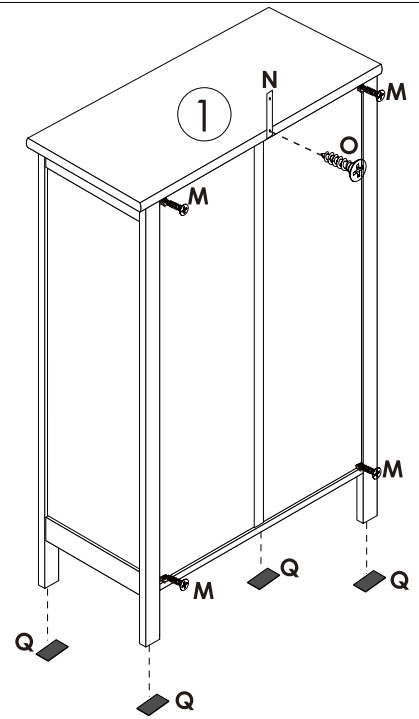
STEP 7



- Fix the part to the ③ part with the hardware E.
- Screw part I and part D together

	E x4PCS
	D x1PC
	I x1PC

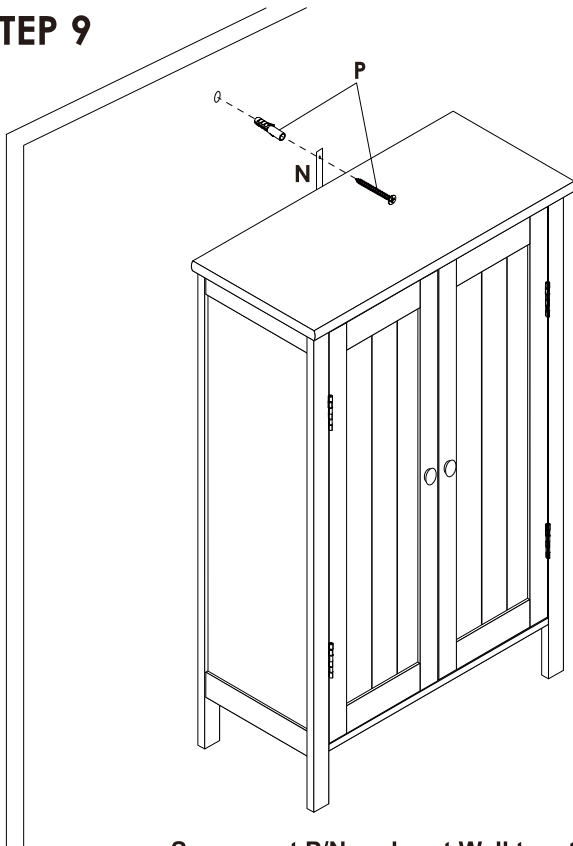
STEP 8



- Screw part O/N and part ① together
- Stick Q to part ②/③ .

	N x1PC
	M x4PCS
	Q x4PCS
	O x1PC

STEP 9



- Screw part P/N and part Wall together.

	P x1PC
--	--------

STEP 10

