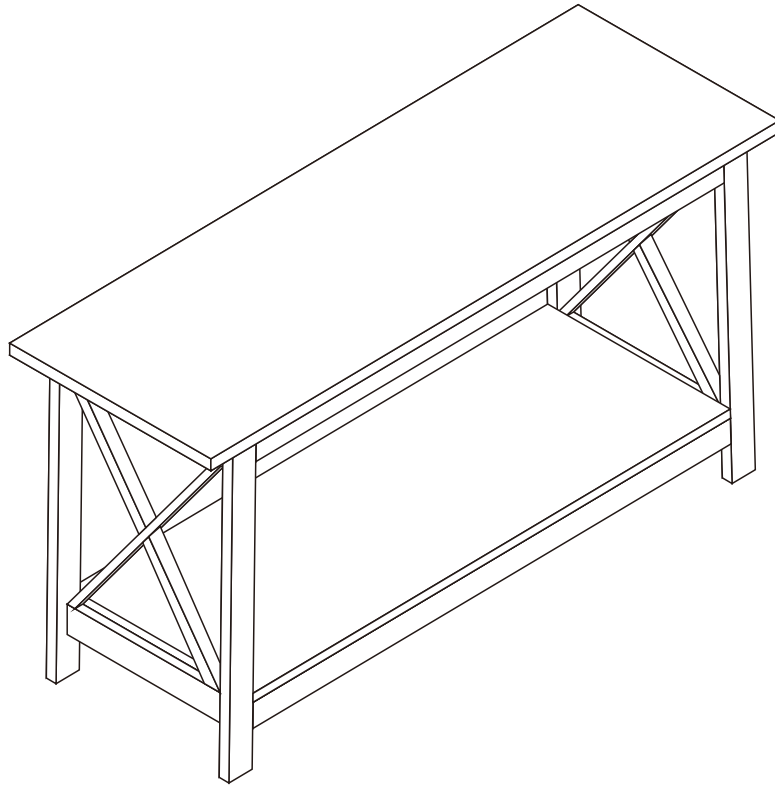





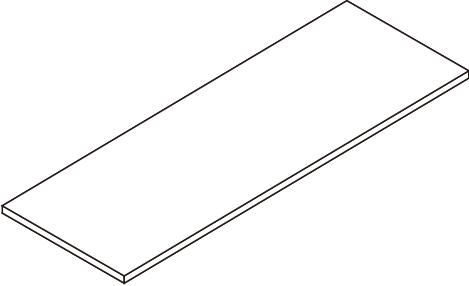
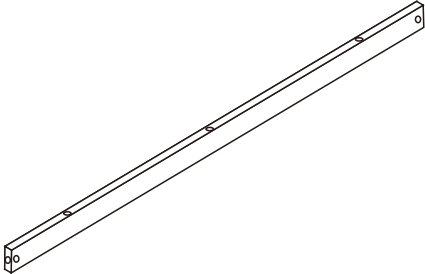
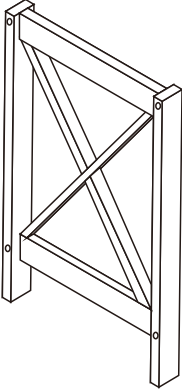
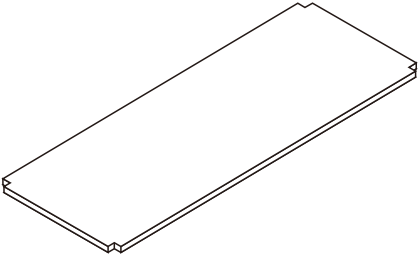
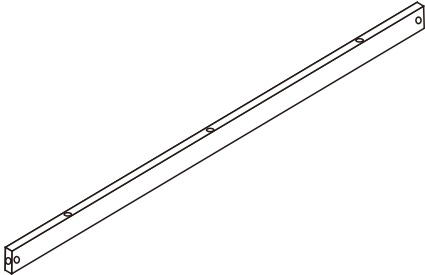
# WI9026/WI9027/WI9028



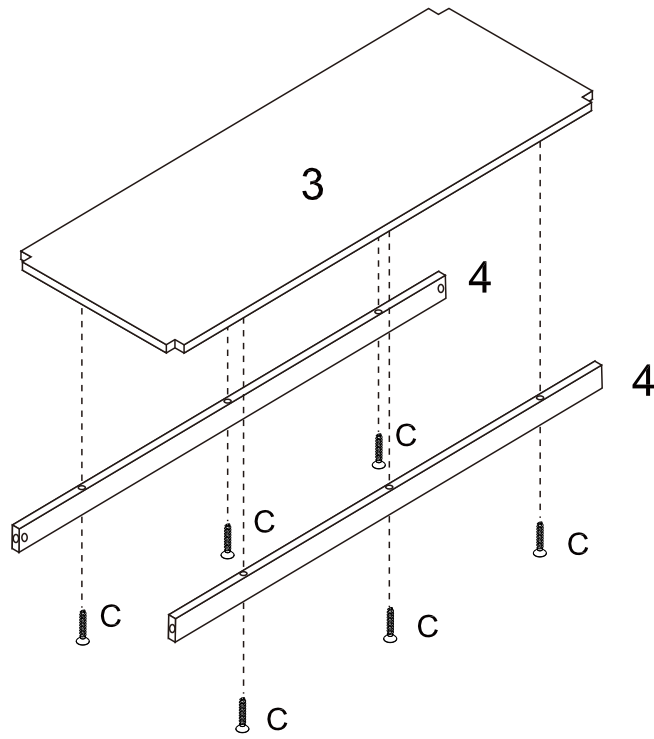
## Hardware List

| ITEM | DESC             | PART  | QTY   |
|------|------------------|---|-------|
| A    | ALLEN HEAD SCREW | <br>Φ6x55 mm | 8pcs  |
| B    | HAMMER           | <br>Φ6x10 mm | 8pcs  |
| C    | SCREW            | <br>Φ4x35mm  | 12pcs |

# Part List

| ITEM | PART   | QTY  | ITEM | PART  | QTY  |
|------|--|------|------|---|------|
| 1    | <br>TOP PANEL         | 1pc  | 5    | <br>UPPER CROSS BAR | 2pcs |
| 2    | <br>SIDE FRAME       | 2pcs |      |   |      |
| 3    | <br>LAYER PANEL     | 1pc  |      |   |      |
| 4    | <br>LOWER CROSS BAR | 2pcs |      |   |      |

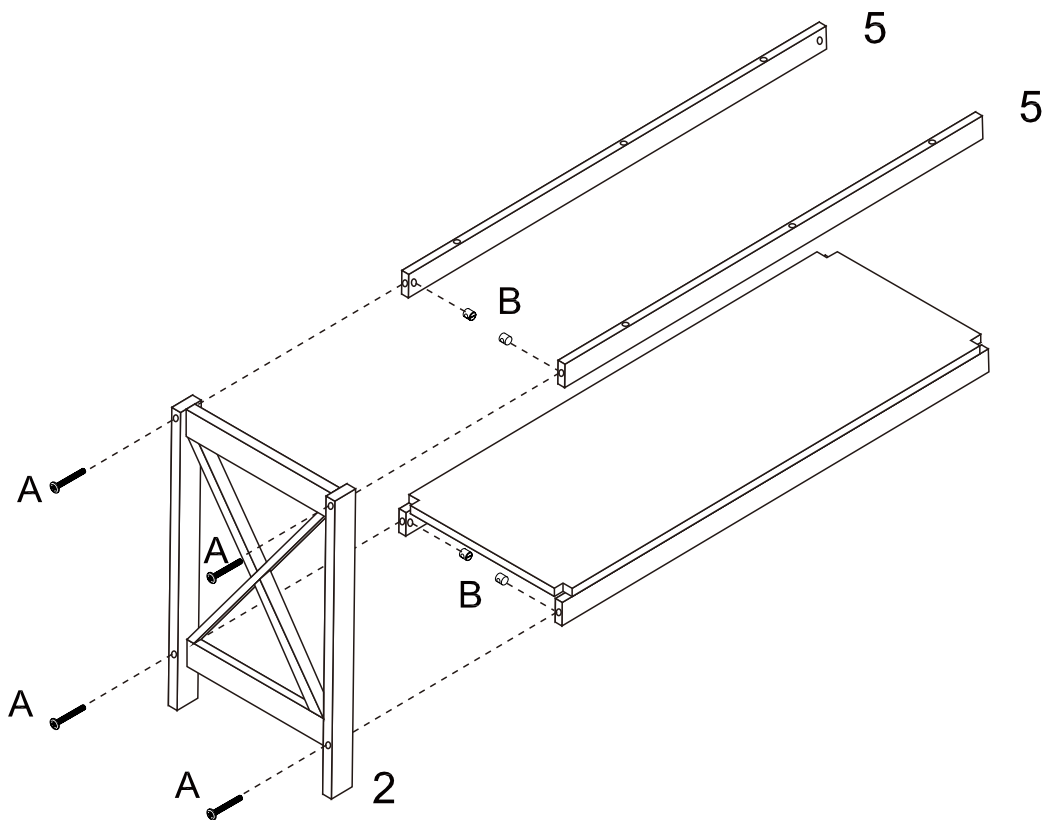
# STEP 1



· Fix the 3 part to the 4 part with the hardware C.

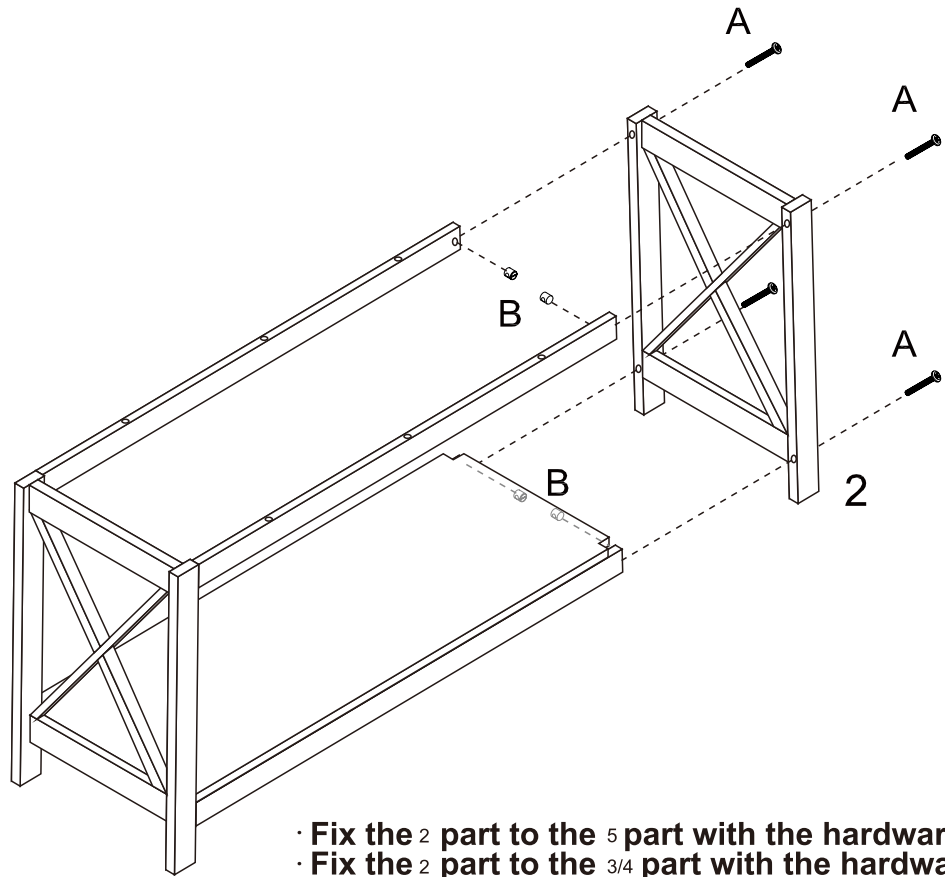
---

# STEP 2



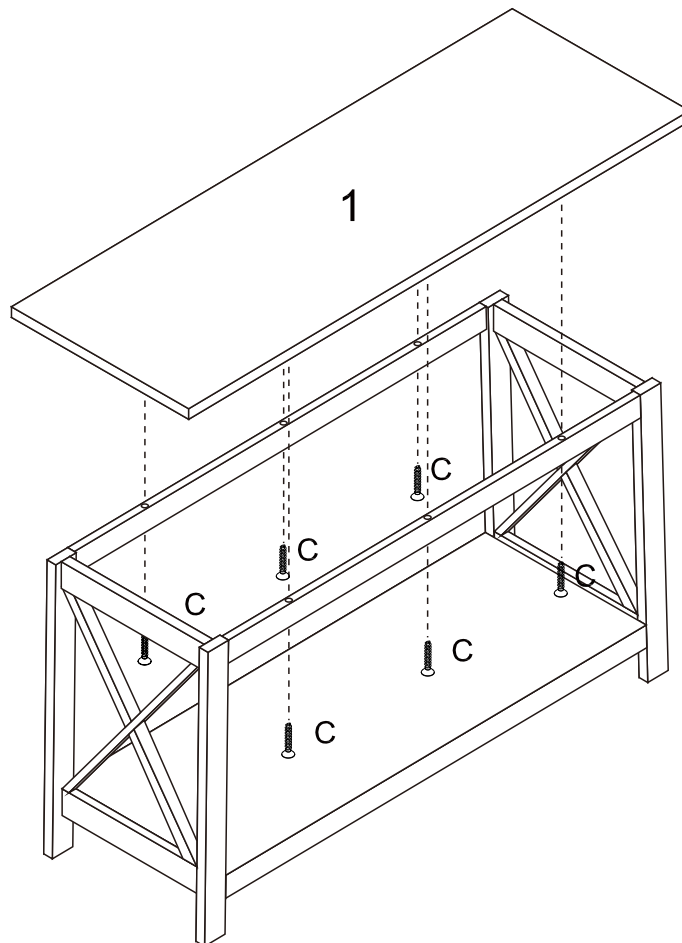
· Fix the 2 part to the 5 part with the hardware A/B.  
· Fix the 2 part to the 3/4 part with the hardware A/B.

### STEP 3



- Fix the 2 part to the 5 part with the hardware A/B.
- Fix the 2 part to the 3/4 part with the hardware A/B.

### STEP 4



- Fix the 1 part to the 4 part with the hardware C.