




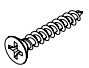


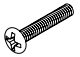
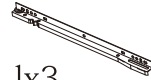
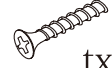









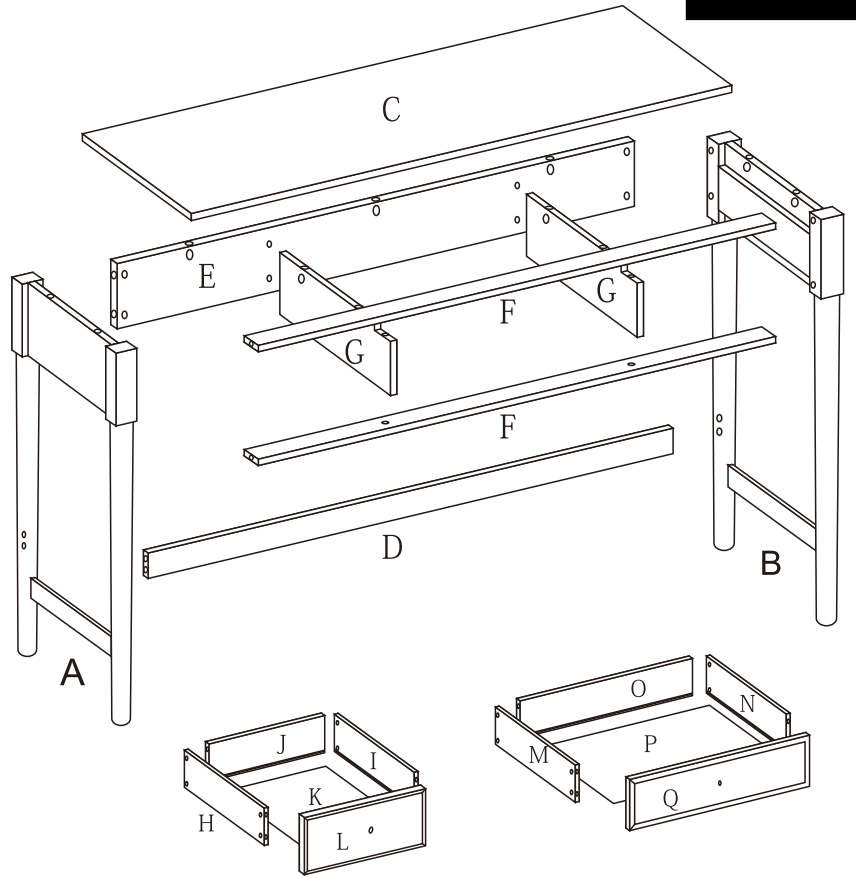
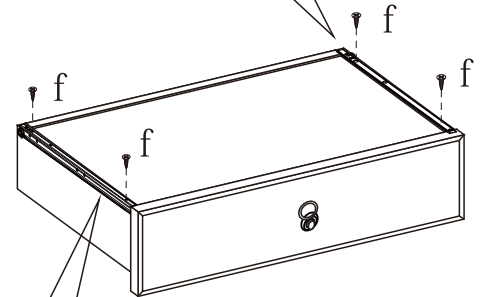
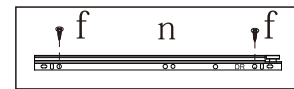
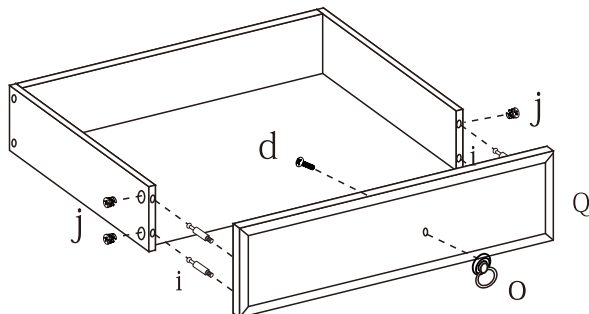
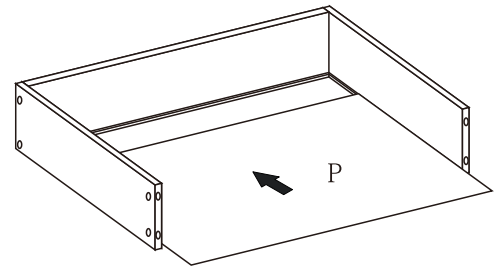
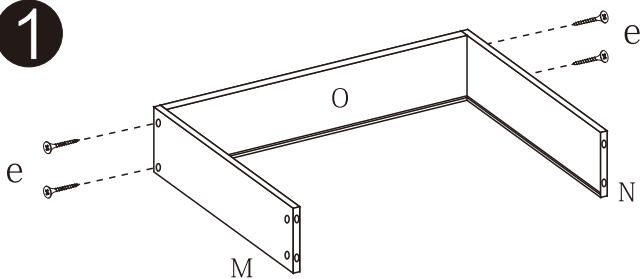
 ax19	 ix12	 qx2
 bx19	 jx12	 rx2
 cx8	 kx3	 sx2
 dx3	 lx3	 tx2
 ex12	 mx3	 ux4
 fx24	 nx3	
 gx4	 ox3	
 hx4	 px2	

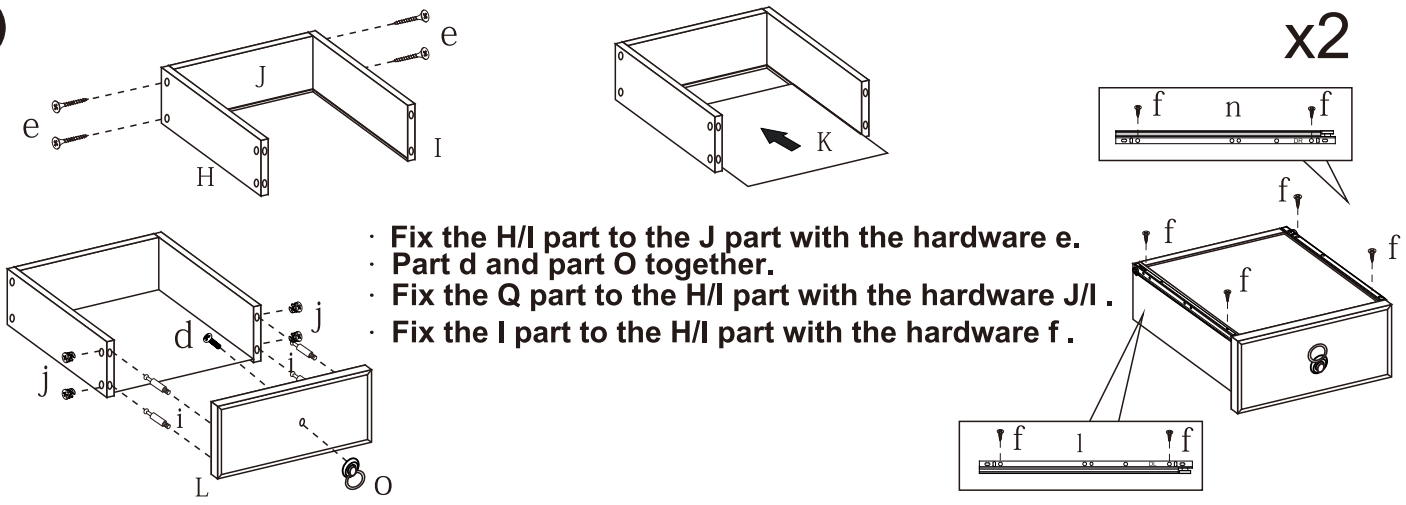


1



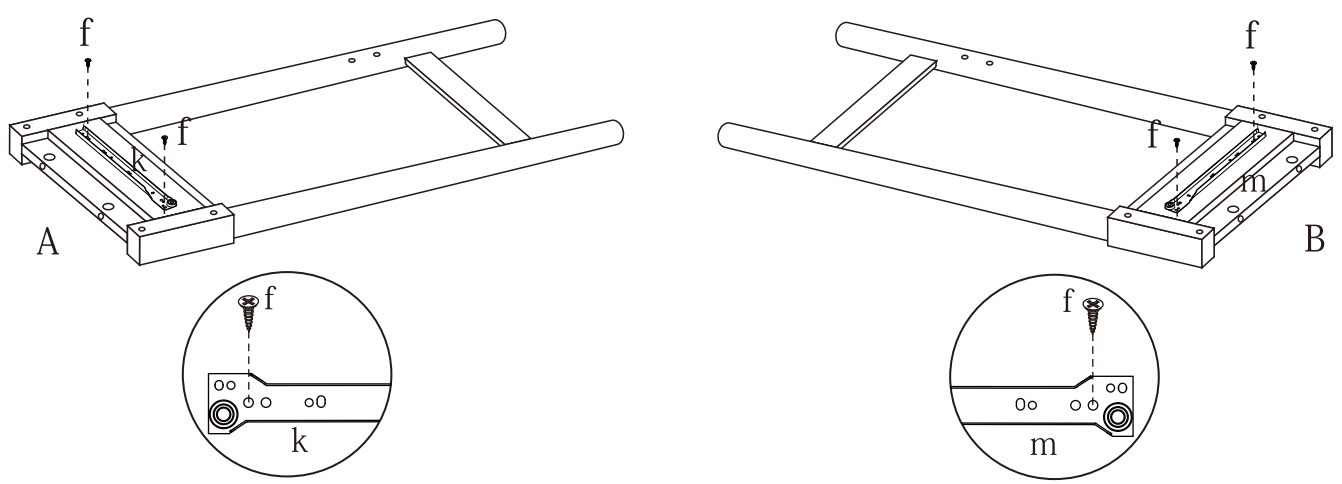
- Fix the N/M part to the O part with the hardware e.
- Part d and part O together
- Fix the Q part to the M/N part with the hardware J/I .
- Fix the I part to the M/N part with the hardware f .

2



- Fix the H/I part to the J part with the hardware e.
- Part d and part O together.
- Fix the Q part to the H/I part with the hardware J/I .
- Fix the I part to the H/I part with the hardware f .

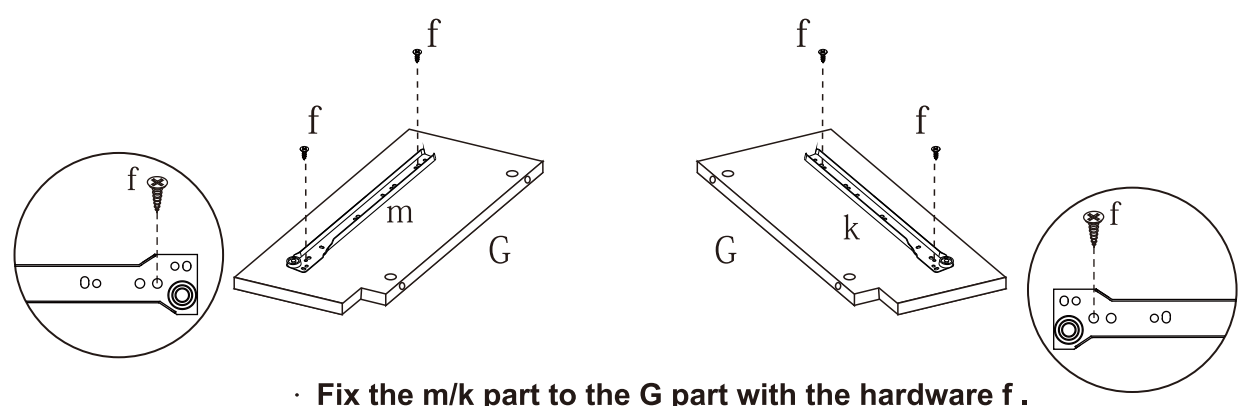
3



- Fix the K part to the A/B part with the hardware f .

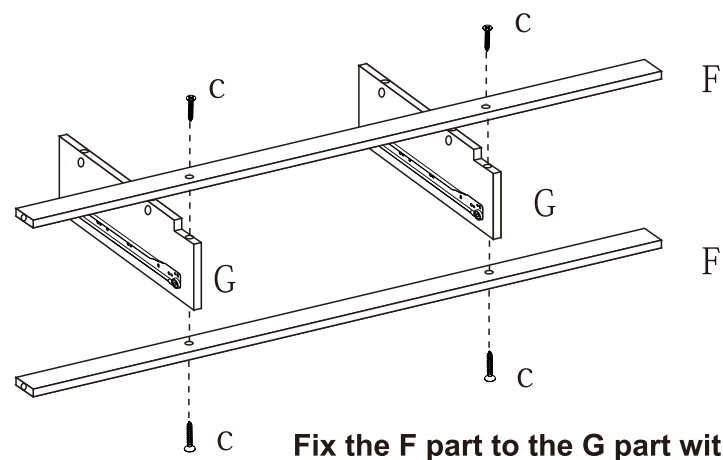
4

x2



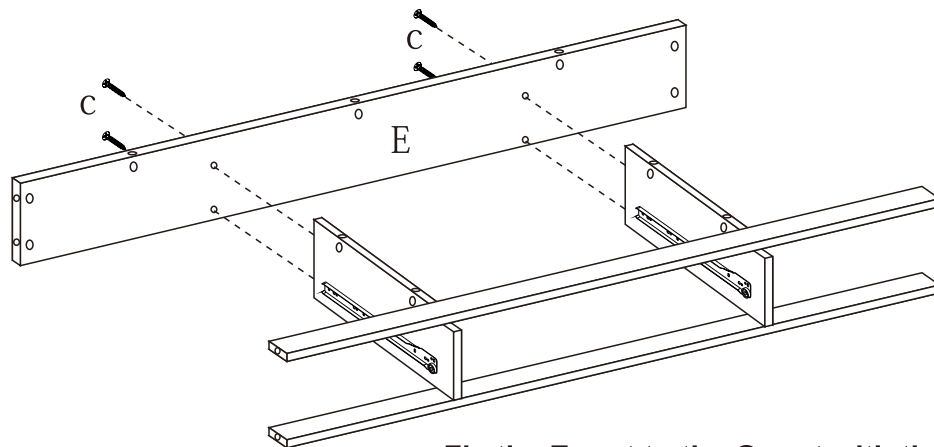
- Fix the m/k part to the G part with the hardware f .

5



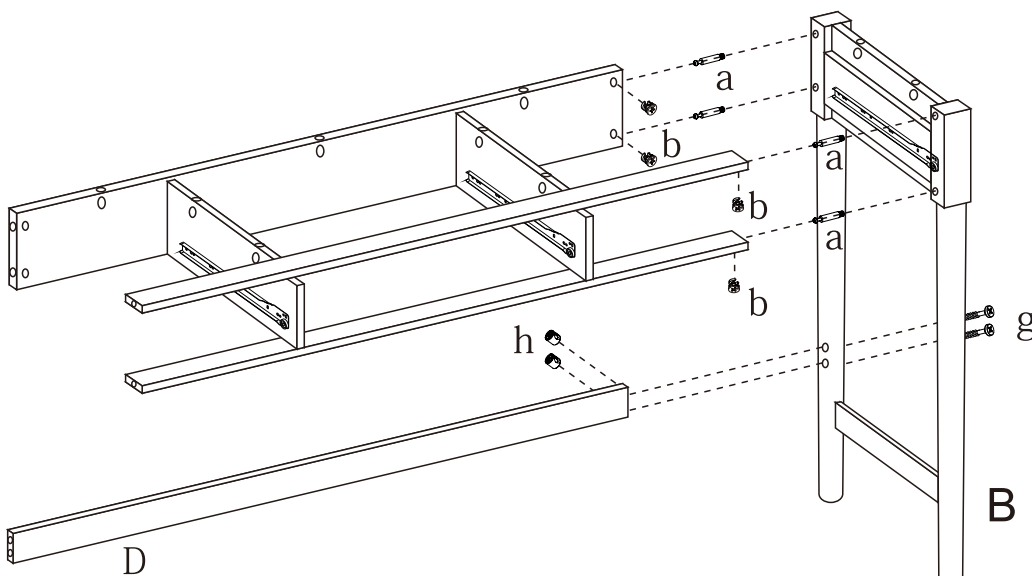
- Fix the F part to the G part with the hardware c .

6



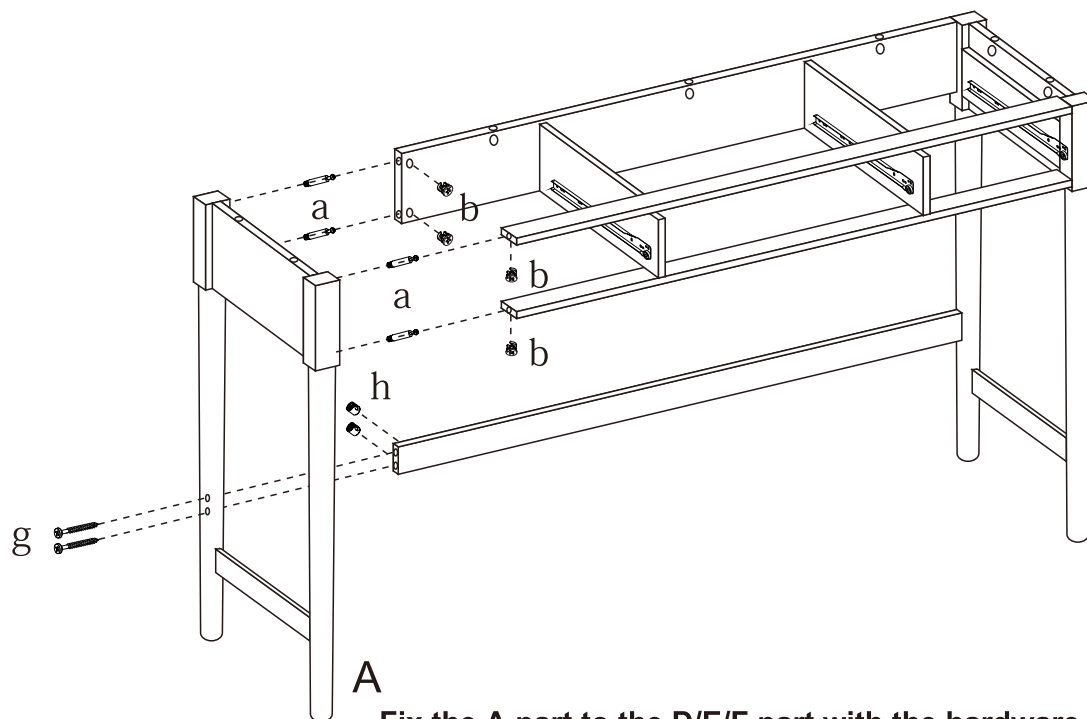
Fix the E part to the G part with the hardware c.

7



Fix the B part to the D/E/F part with the hardware a/b/g/h.

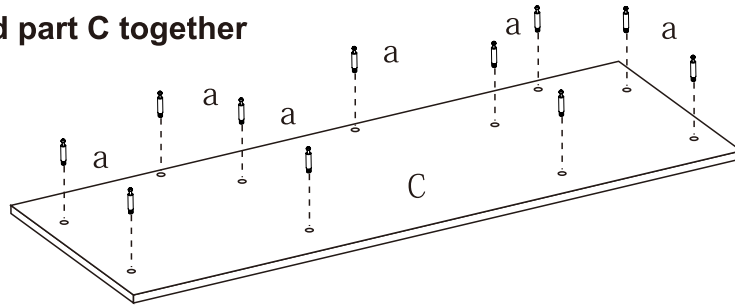
8



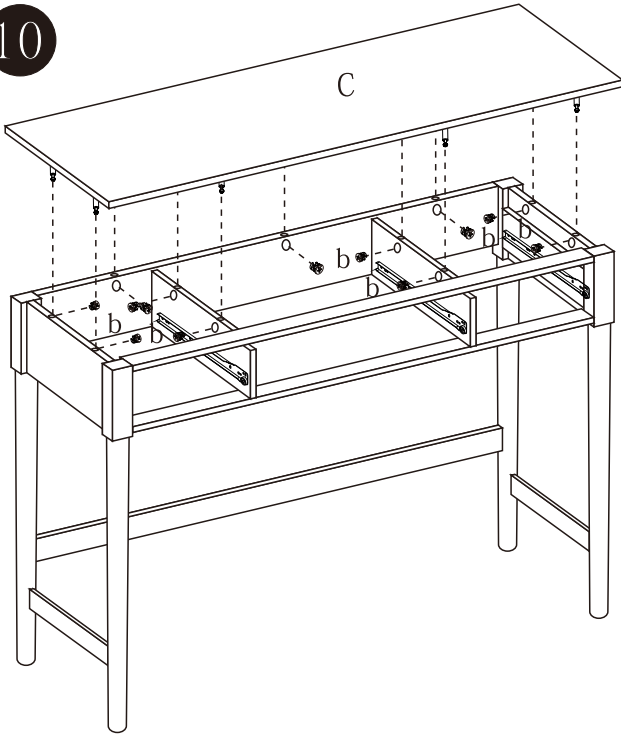
Fix the A part to the D/E/F part with the hardware a/b/g/h.

9

Screw part a and part C together

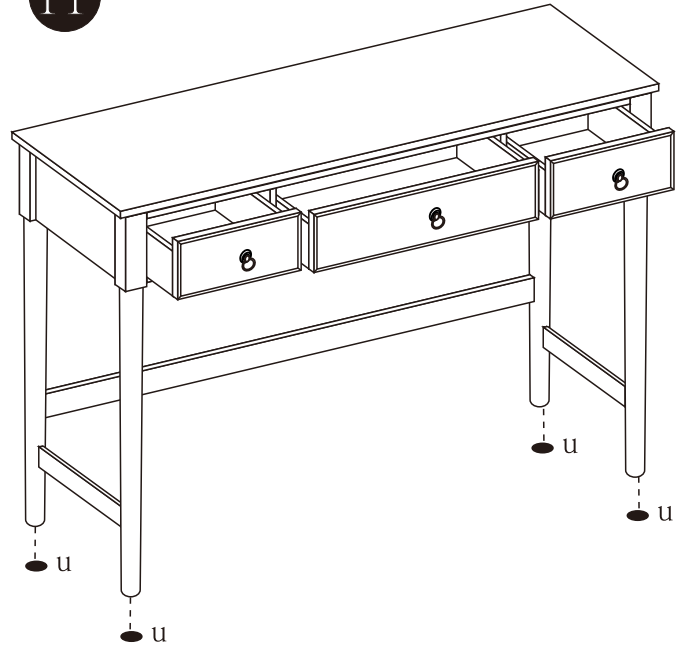


10



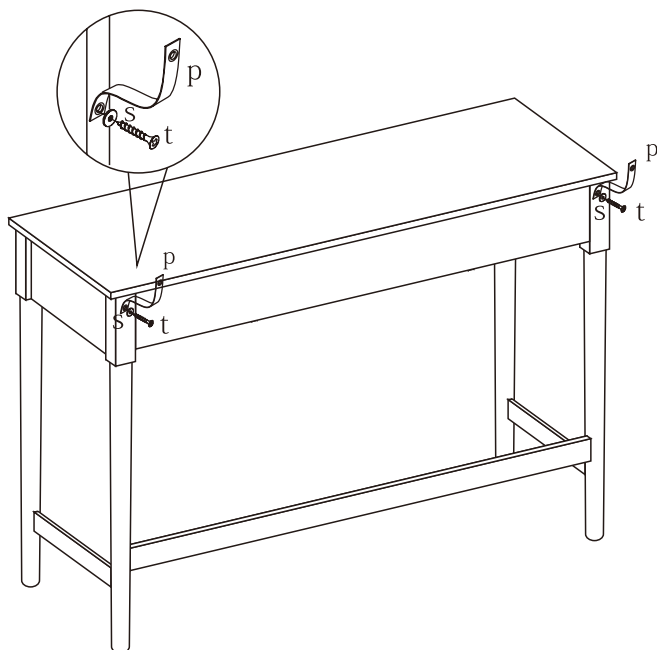
Fix the C part to the A/B/E/G part with the hardware b.

11



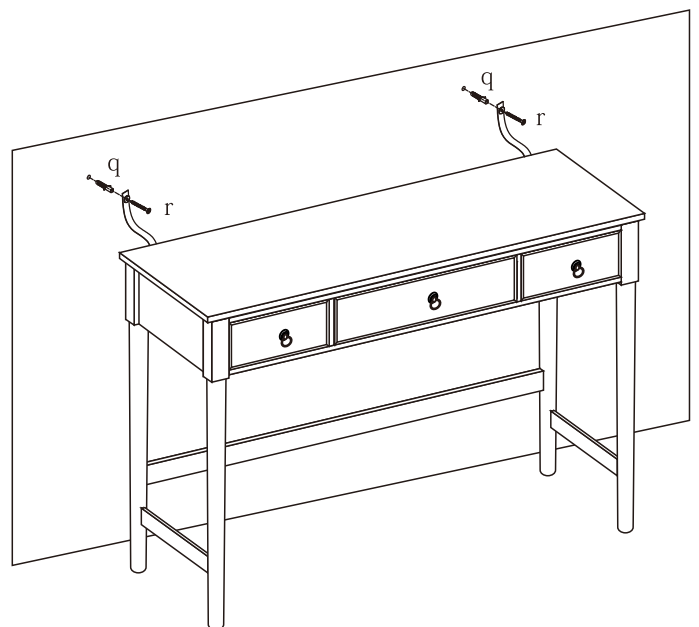
Stick U to part A/B.

12



Screw part s/t/p and part A/B together.

13



Screw part q/r and part wall together.