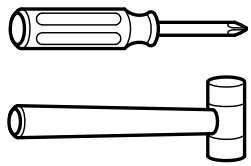
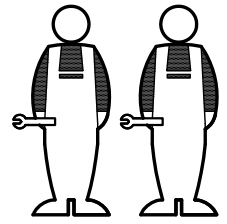
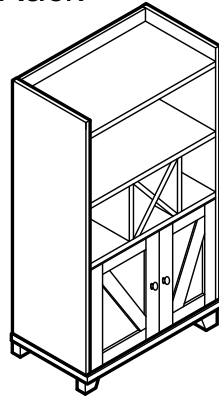


ASSEMBLY INSTRUCTIONS

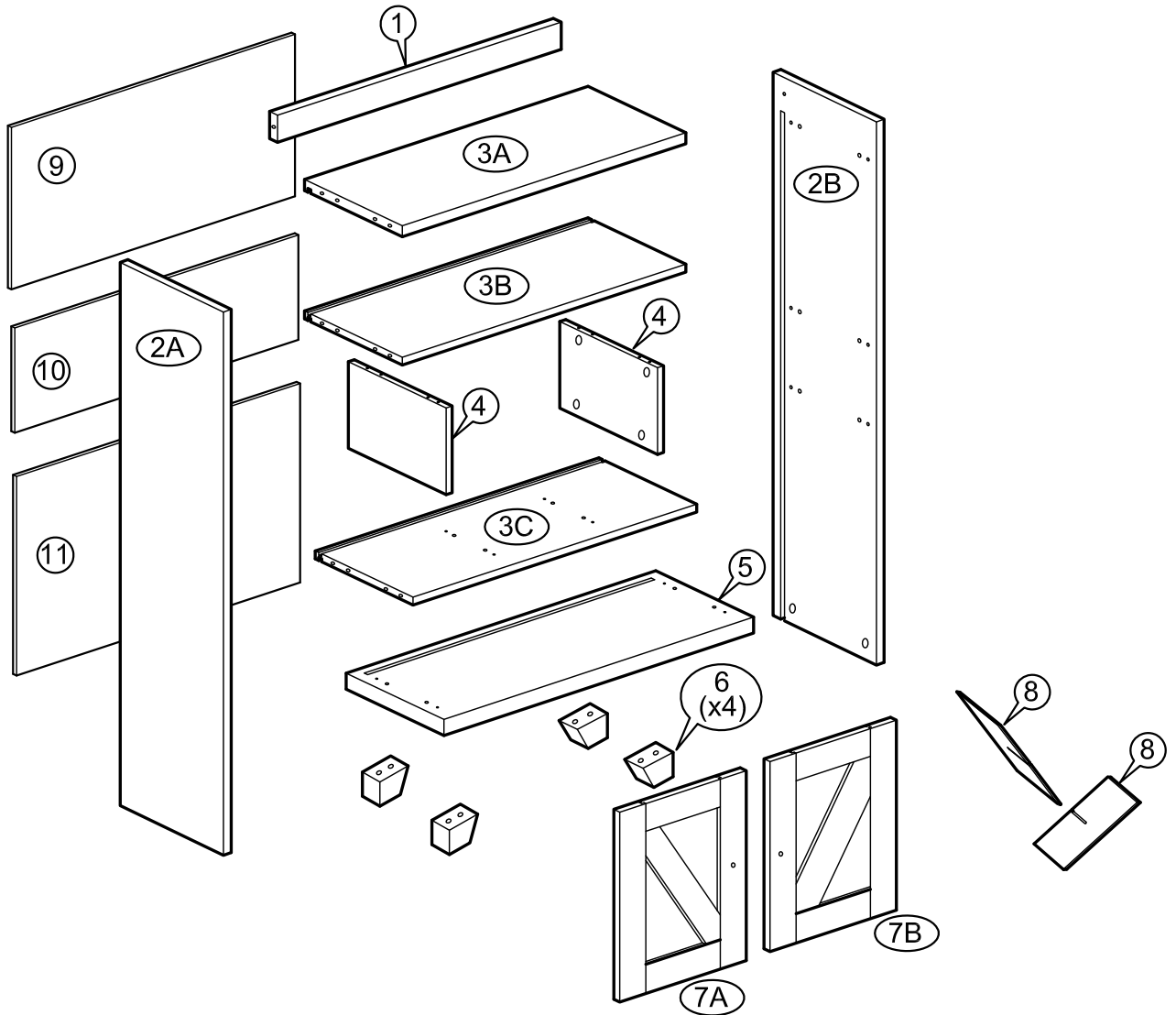
Item : Monita Wine Rack


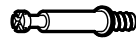


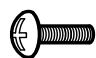

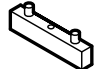
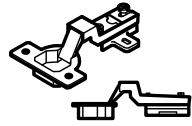
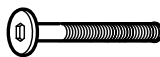
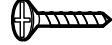

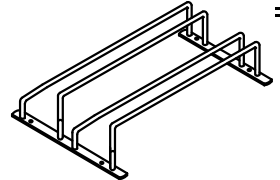





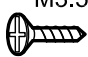


Not Provided



2 Persons



| | | | | | | | |
|---|---|---|---|---|--|---|--|
| A |  = 2 | F |  34mm = 26 | K |  M3 x 20mm = 12 | P |  = 2 |
| B |  22mm = 2 | G |  M8 x 30mm = 24 | L |  = 1 | Q |  7/8" = 4 |
| C |  M6 x 70mm = 8 | H |  M4 x 32mm = 2 | M |  M3 x 16mm = 5 | R |  = 2 |
| D |  M4 = 1 | I |  M4 x 16mm = 16 (Black) | N |  = 4 | | |
| E |  12mm = 26 | J |  = 12 | O |  M3.5 x 12mm = 8 | | |

Instructions For Fastening CAM-BOLT and CAM-LOCK



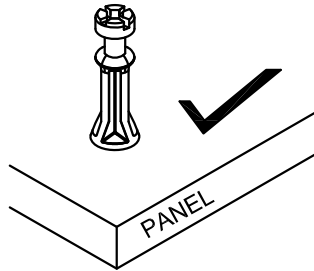
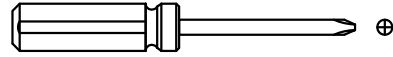
CAM-BOLT



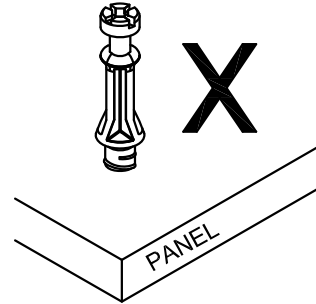
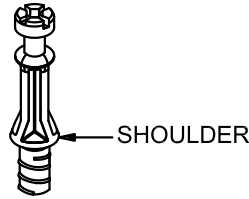
CAM-LOCK

INSERTING AND TIGHTENING CAM-BOLT

Insert Cam-bolt into the pre-drilled hole. Use a Phillips Screwdriver to tighten until shoulder is snug and flushed with the panel. See illustrations below.



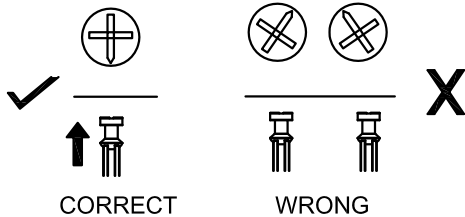
Shoulder is flushed (on the same level) with the panel.



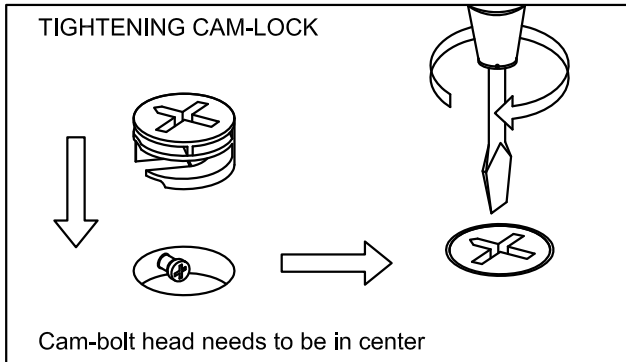
Shoulder is above the panel.

INSERTING CAM-LOCK

Align the arrow on the Cam-lock to the Cam-bolt head and insert the Cam-lock.



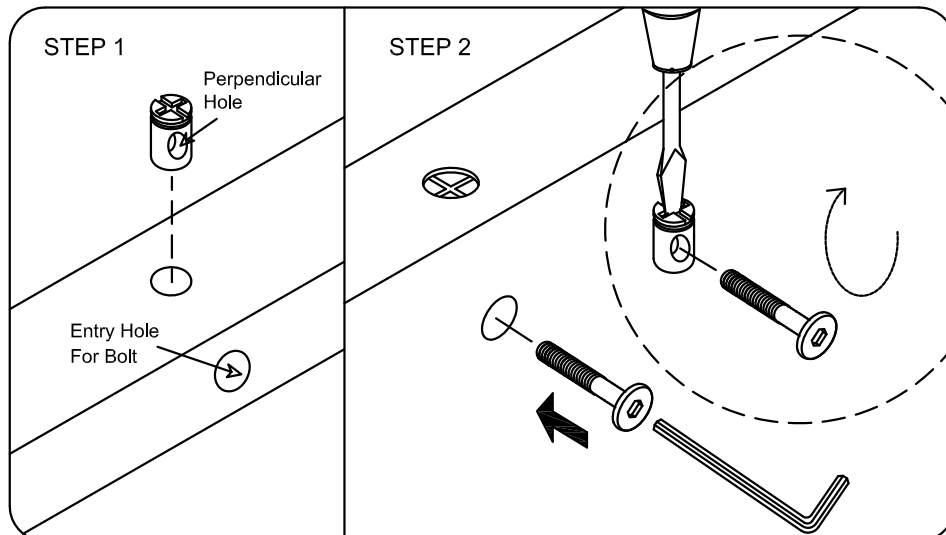
TIGHTENING CAM-LOCK



Use a Flat-head Screwdriver to turn the Cam-lock clockwise to lock onto the head of the Cam-bolt. Turn until it is snug -- over-tightening could damage Cam-lock or/and Cam-bolt

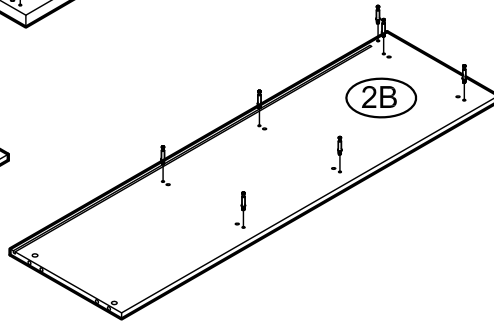
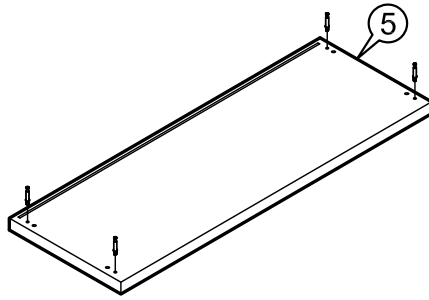
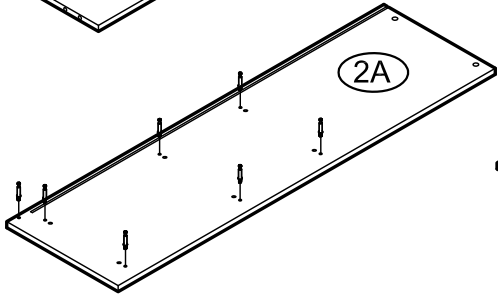
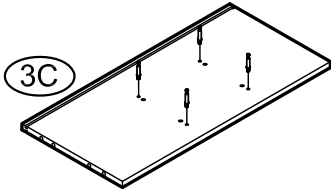
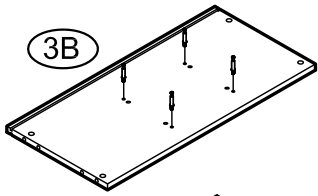
Instructions For Installing Barrel Nut

Insert Barrel Nut with the perpendicular hole facing and in-line with the drill hole that the bolt is to be inserted.



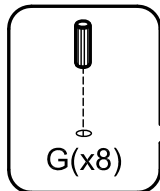
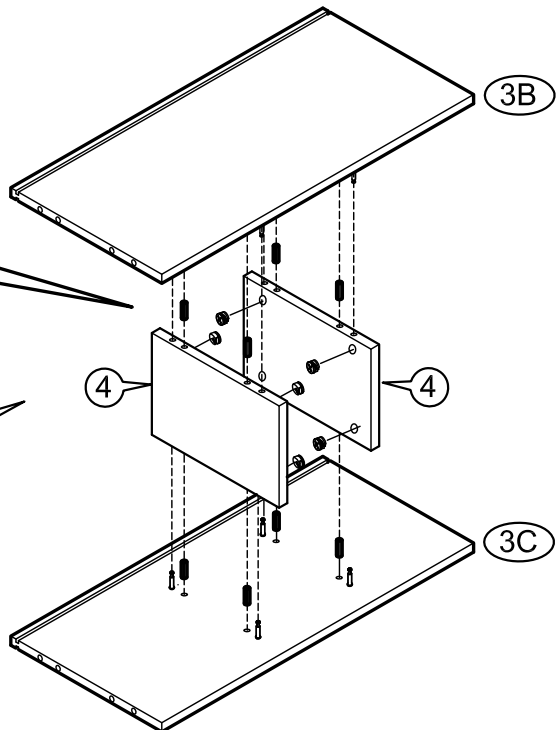
Use a Flat-head Screwdriver to hold Barrel Nut in position before inserting bolt to thread into the Barrel Nut.

1

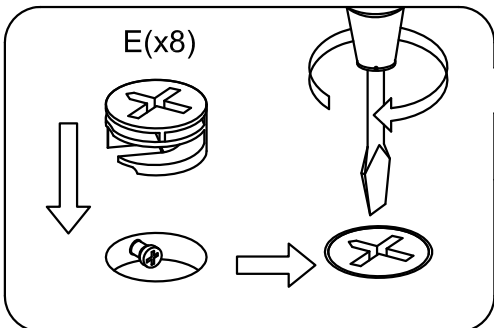


F(x26)

2

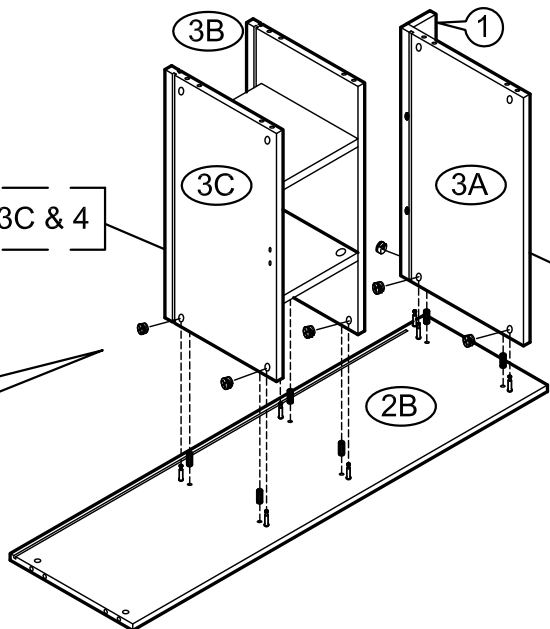


G(x8)



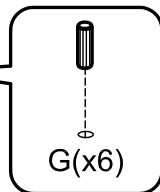
E(x8)

3

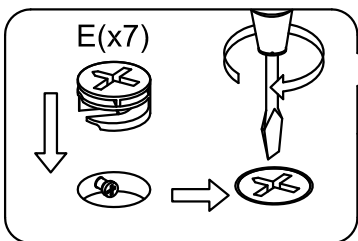


PART - 3B , 3C & 4

PART - 1 & 3A

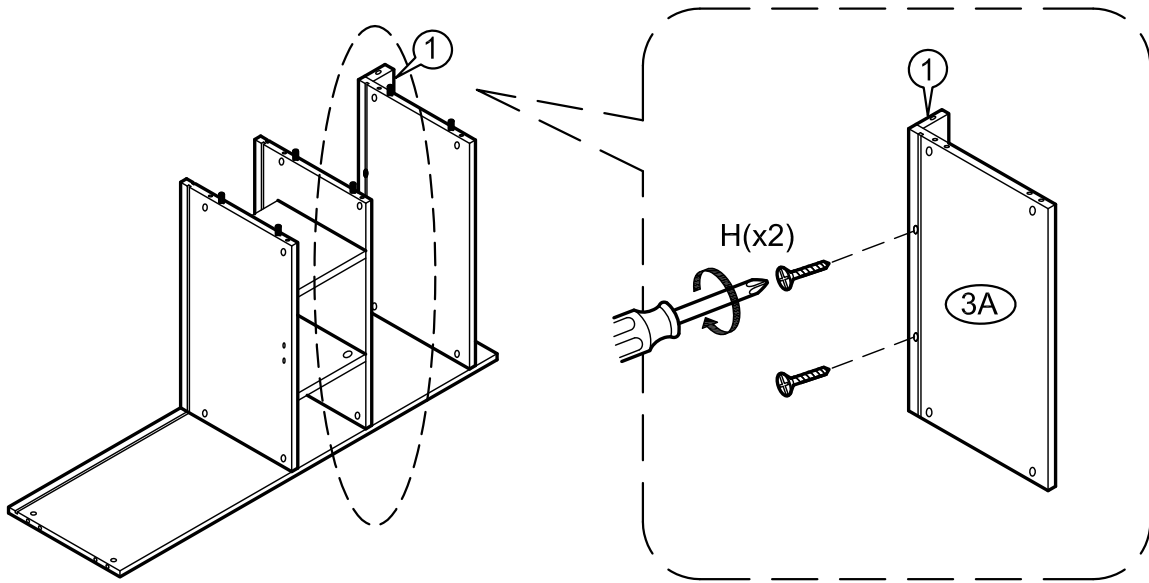


G(x6)

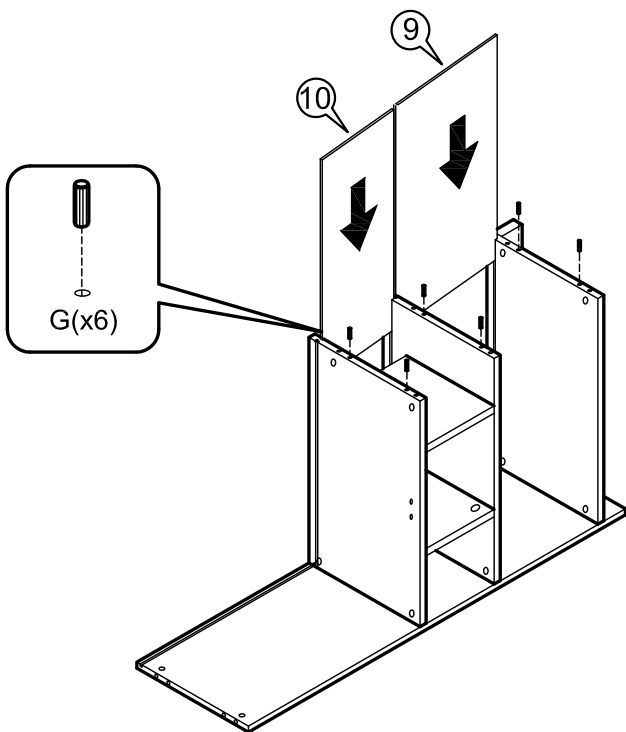


E(x7)

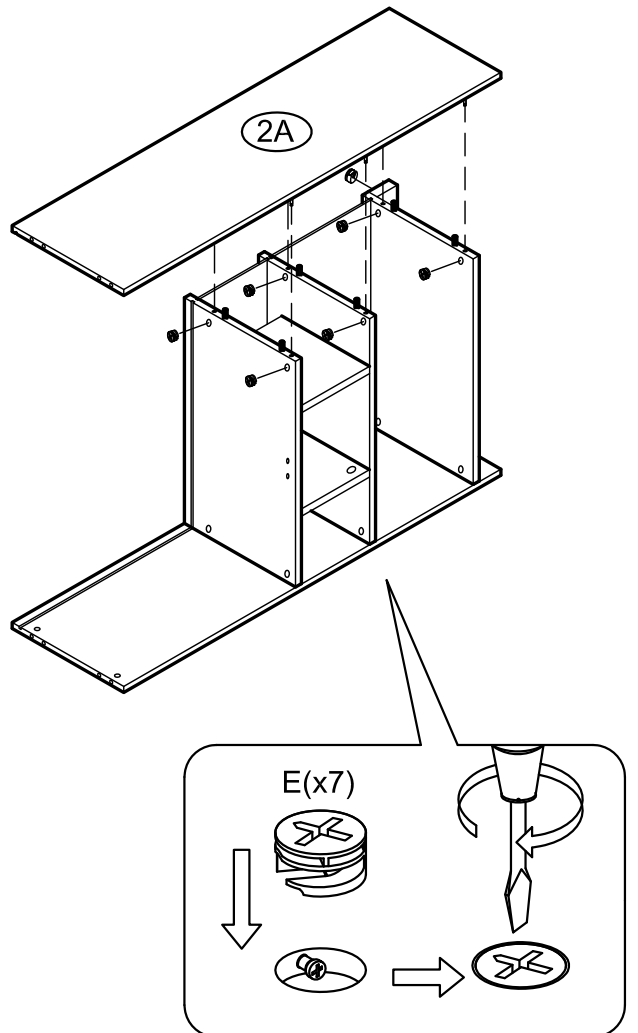
4



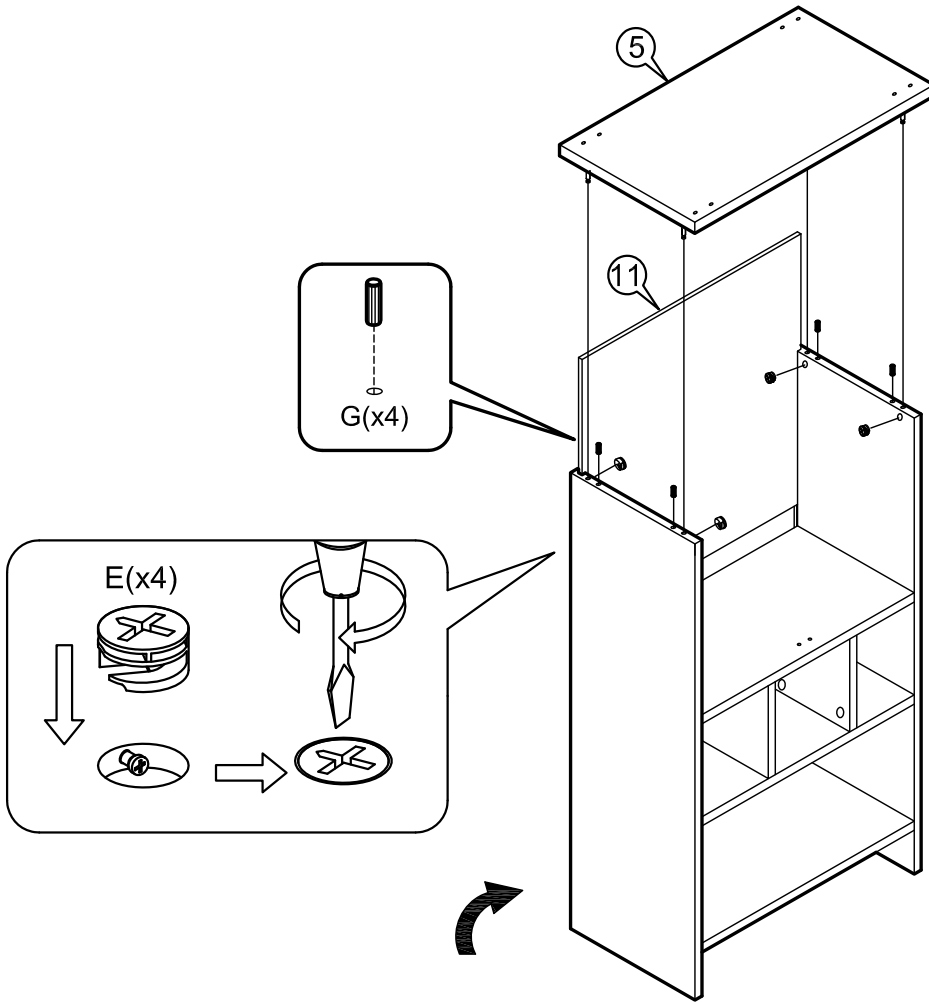
5



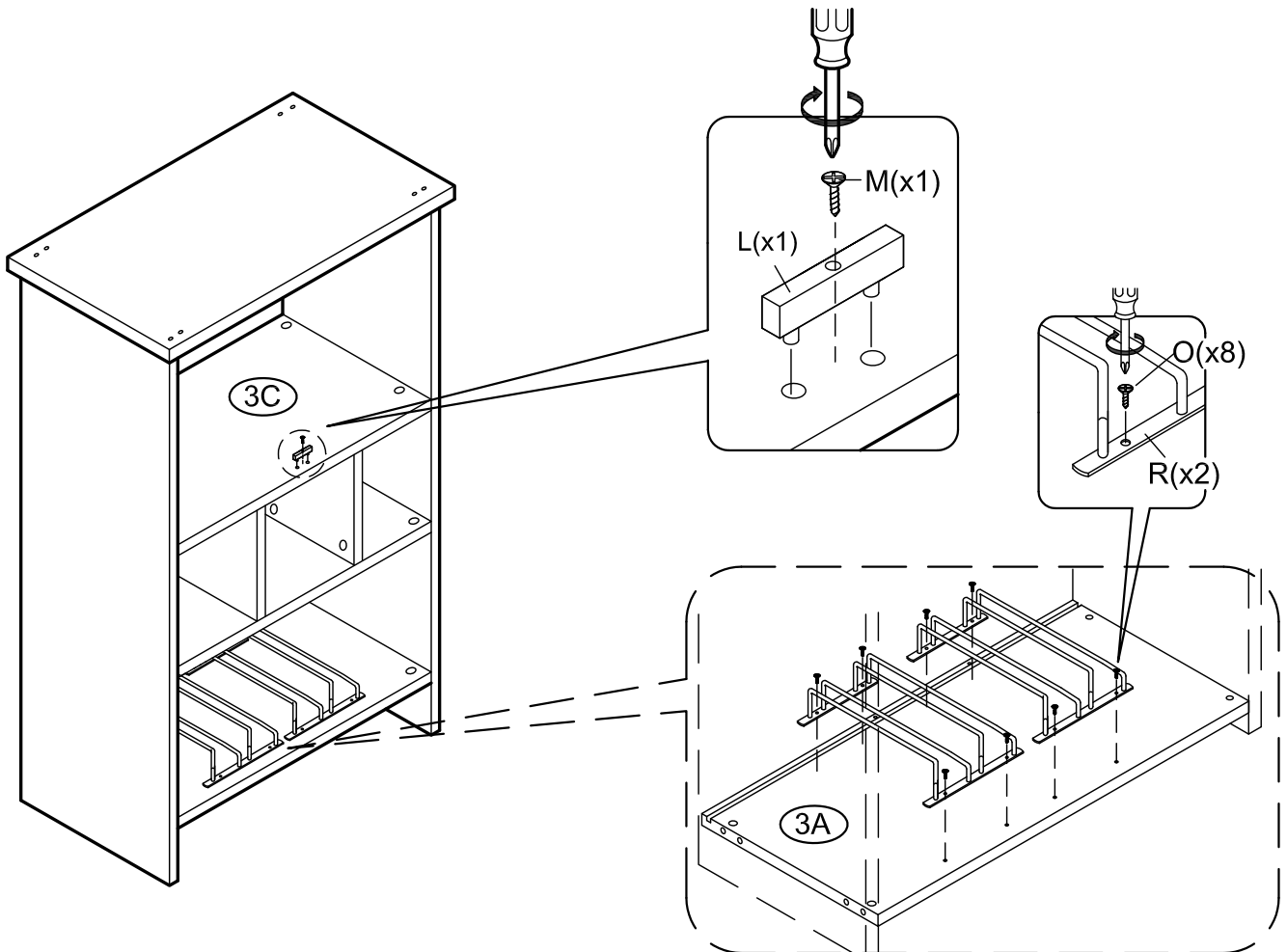
6



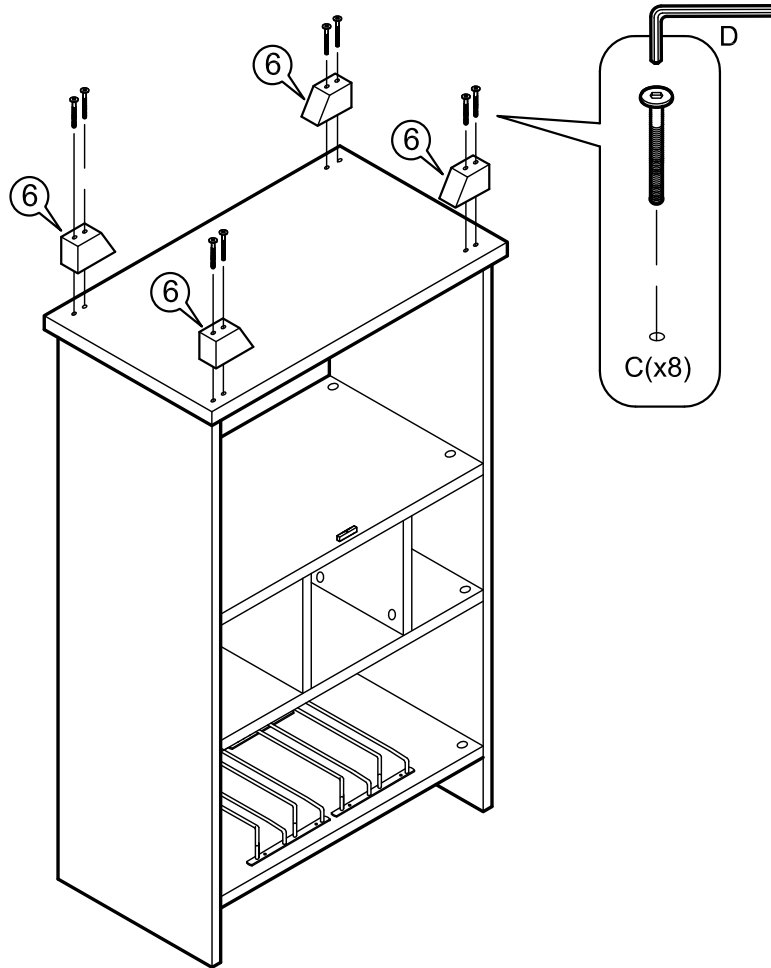
7



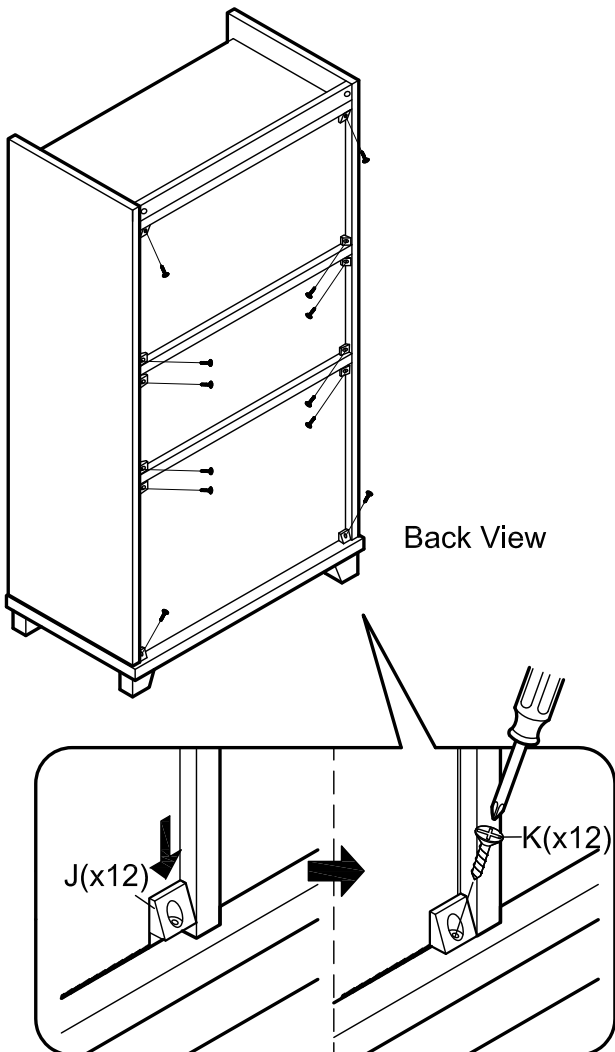
8



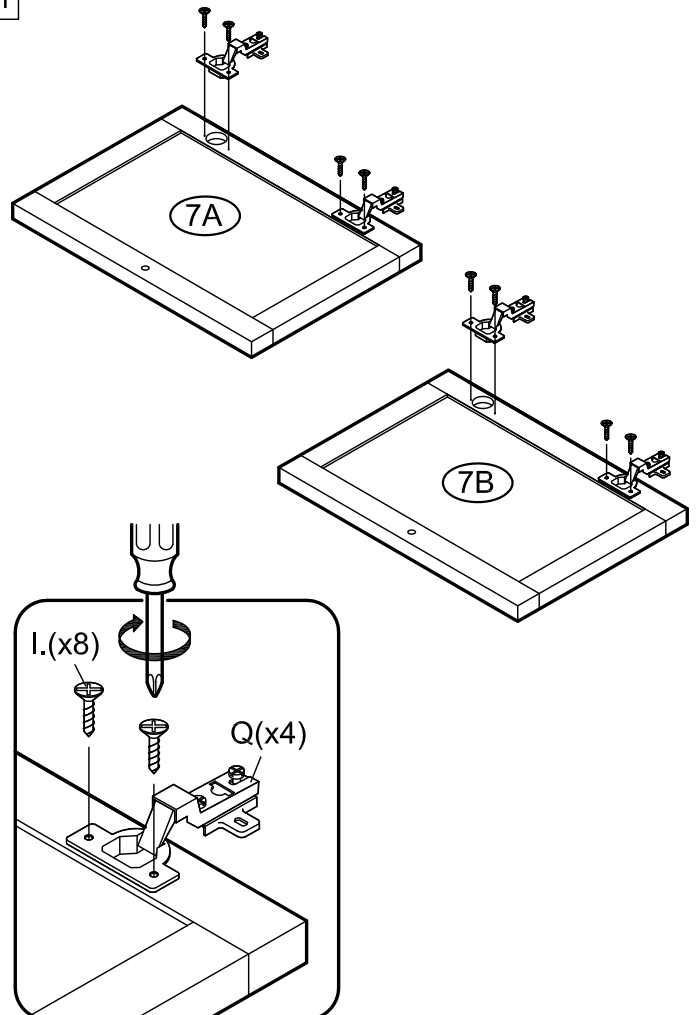
9



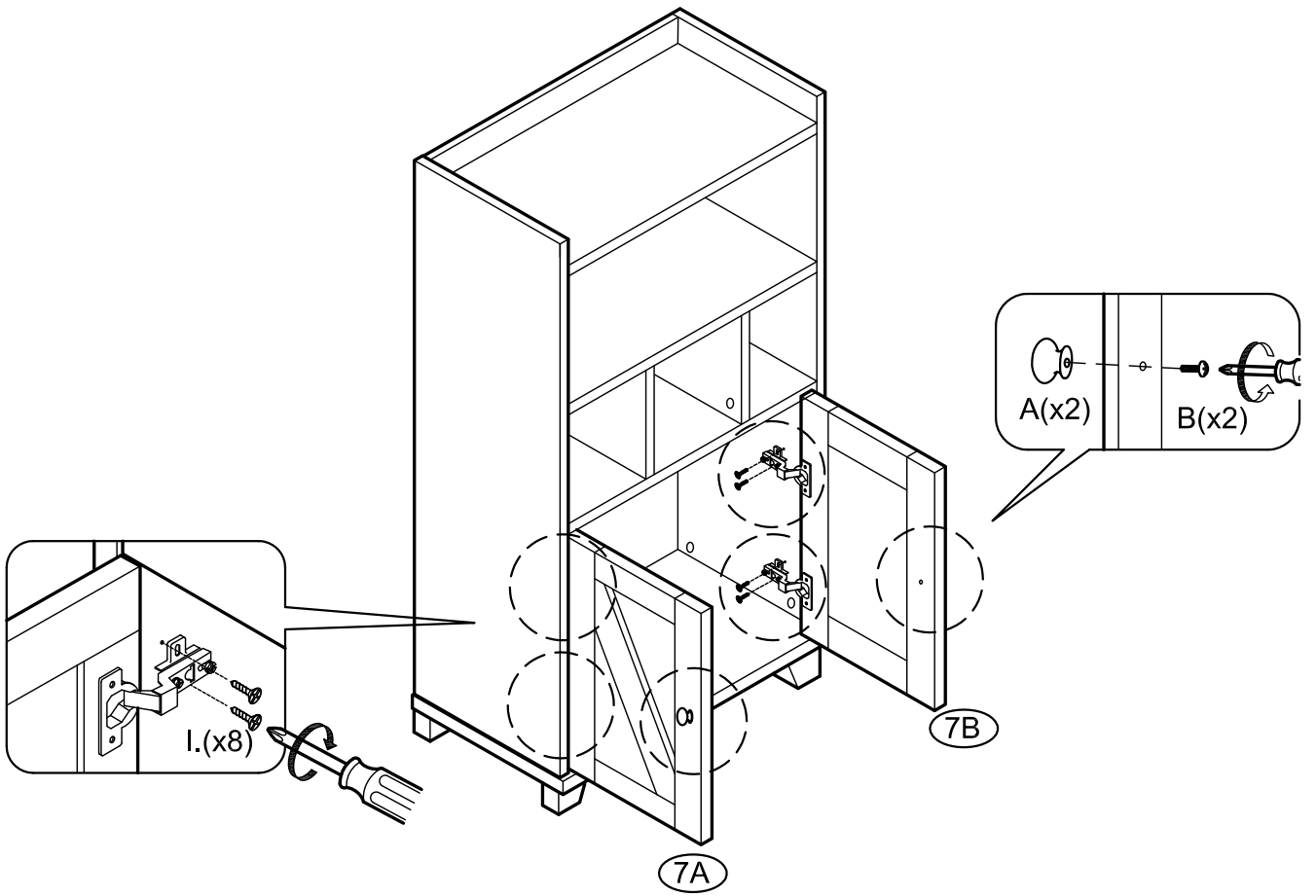
10



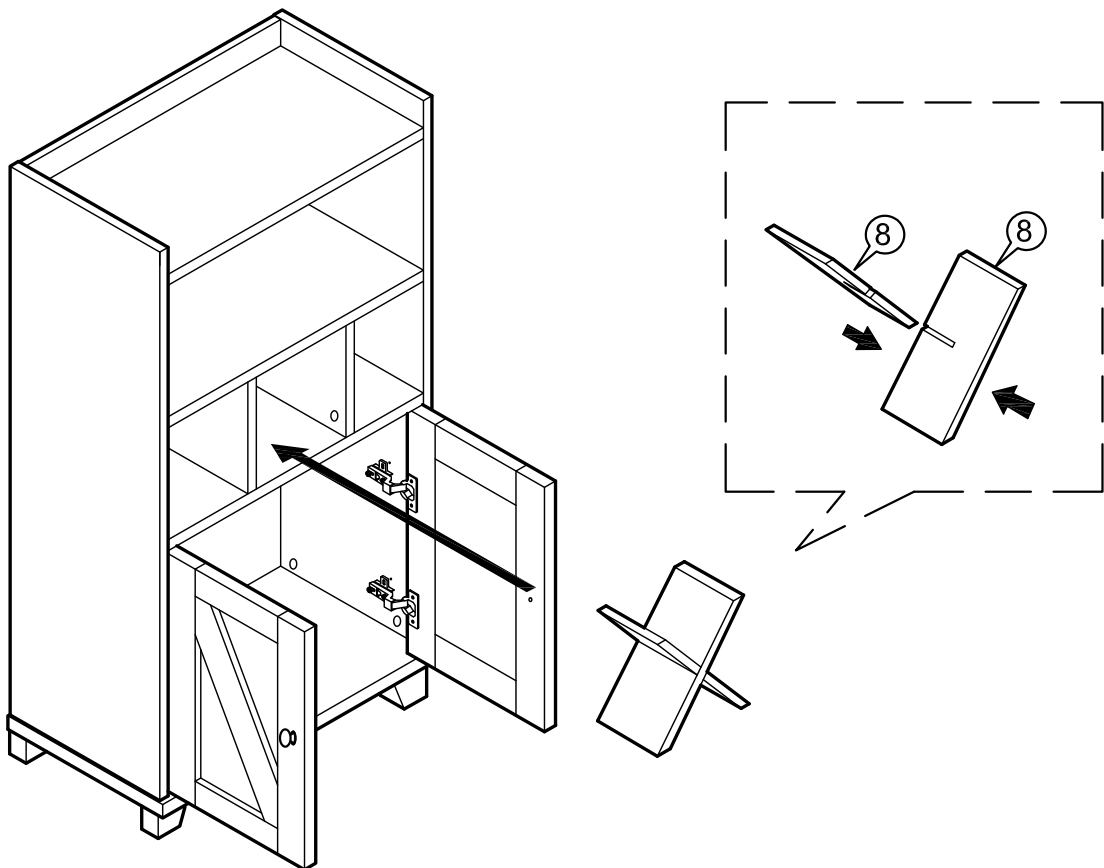
11



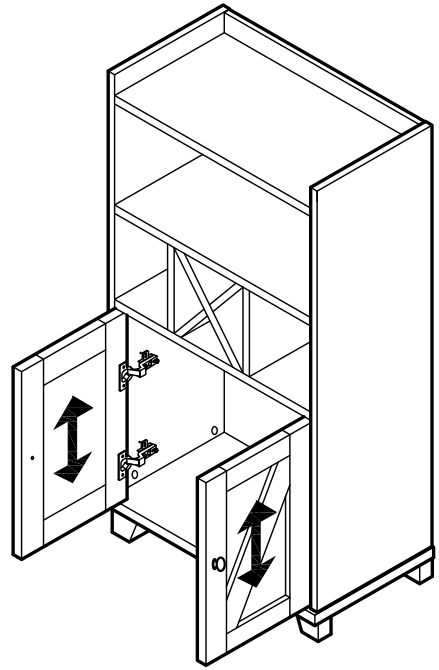
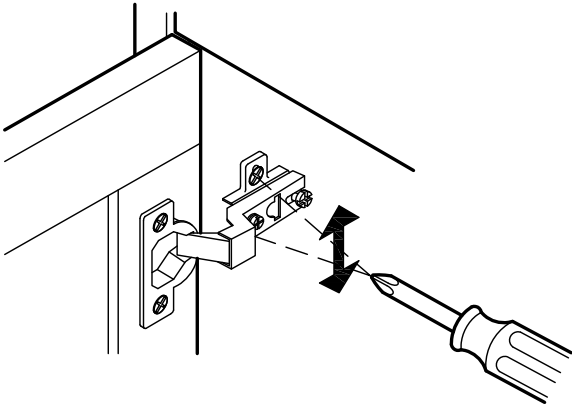
12



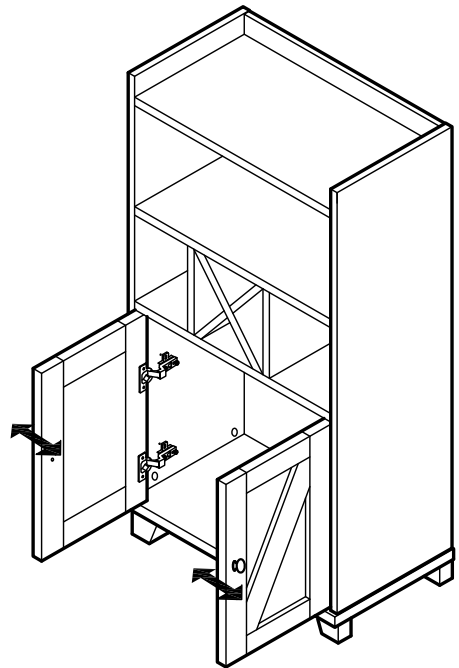
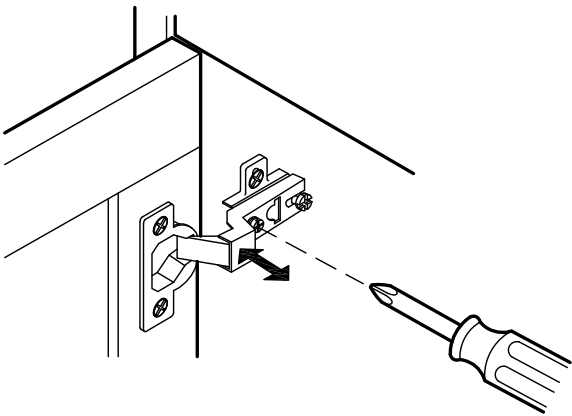
13



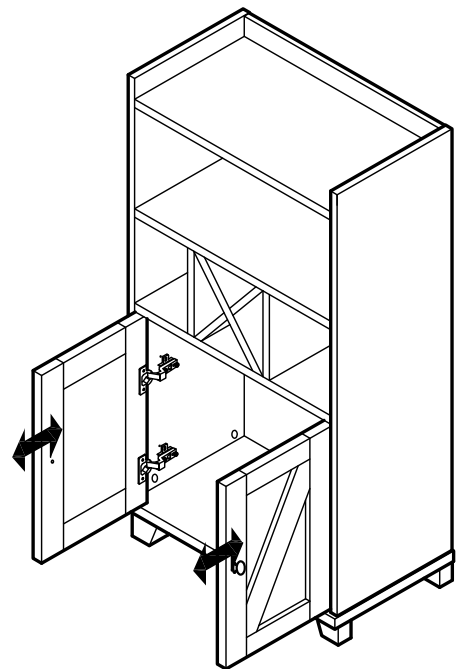
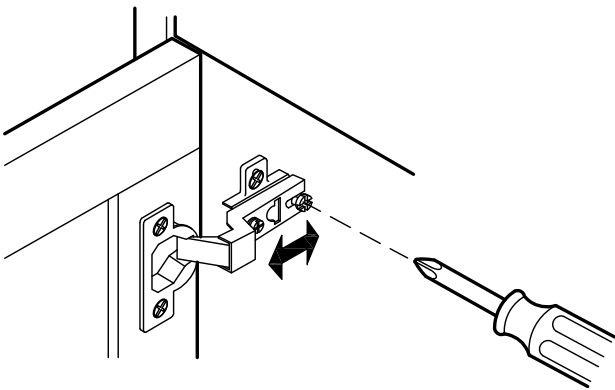
14



15



16

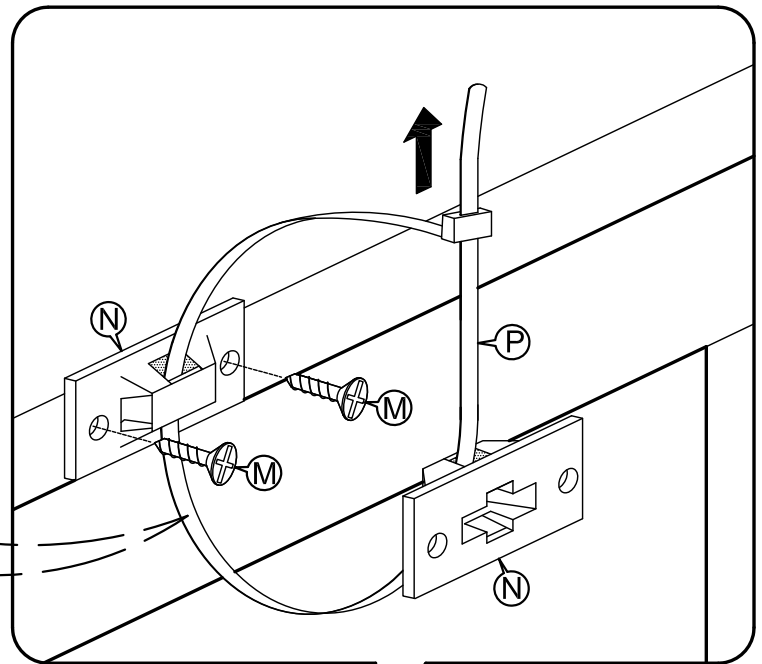


HOW TO FIT SAFETY STRAP

ADD SAFETY STRAP (N) TO BACK OF WINE RACK USING SCREW (M) (PROVIDED) AS SHOWN.

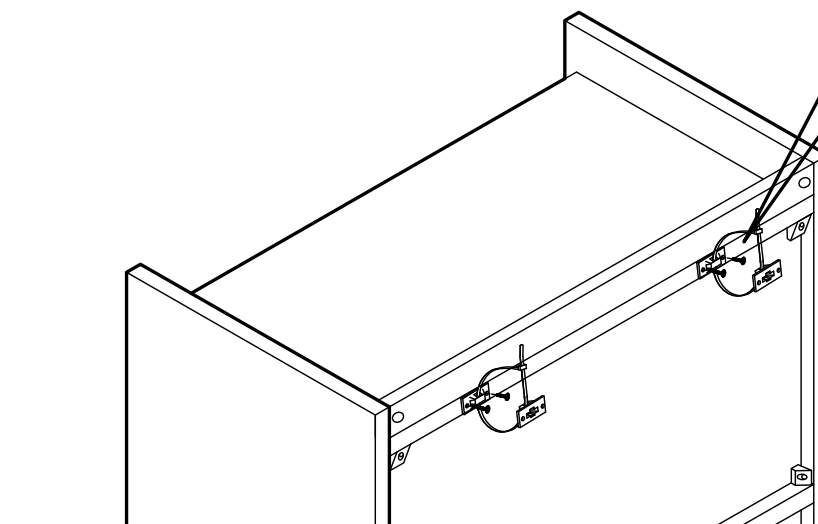
SECURE OPPOSITE END OF SAFETY STRAP TO WALL USING APPROPRIATE SCREW/PLUG FOR TYPE OF WALL (NOT PROVIDED).

PHILIPS HEAD SCREWDRIVER TOOL REQUIRED



Lace one end of the wall strap (P) through both brackets, and into the other end of the strap.

Pull the strap tightly until secure.



BACK VIEW