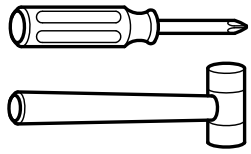
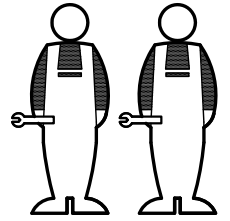


ASSEMBLY INSTRUCTIONS

Item : Darick Kitchen Cart

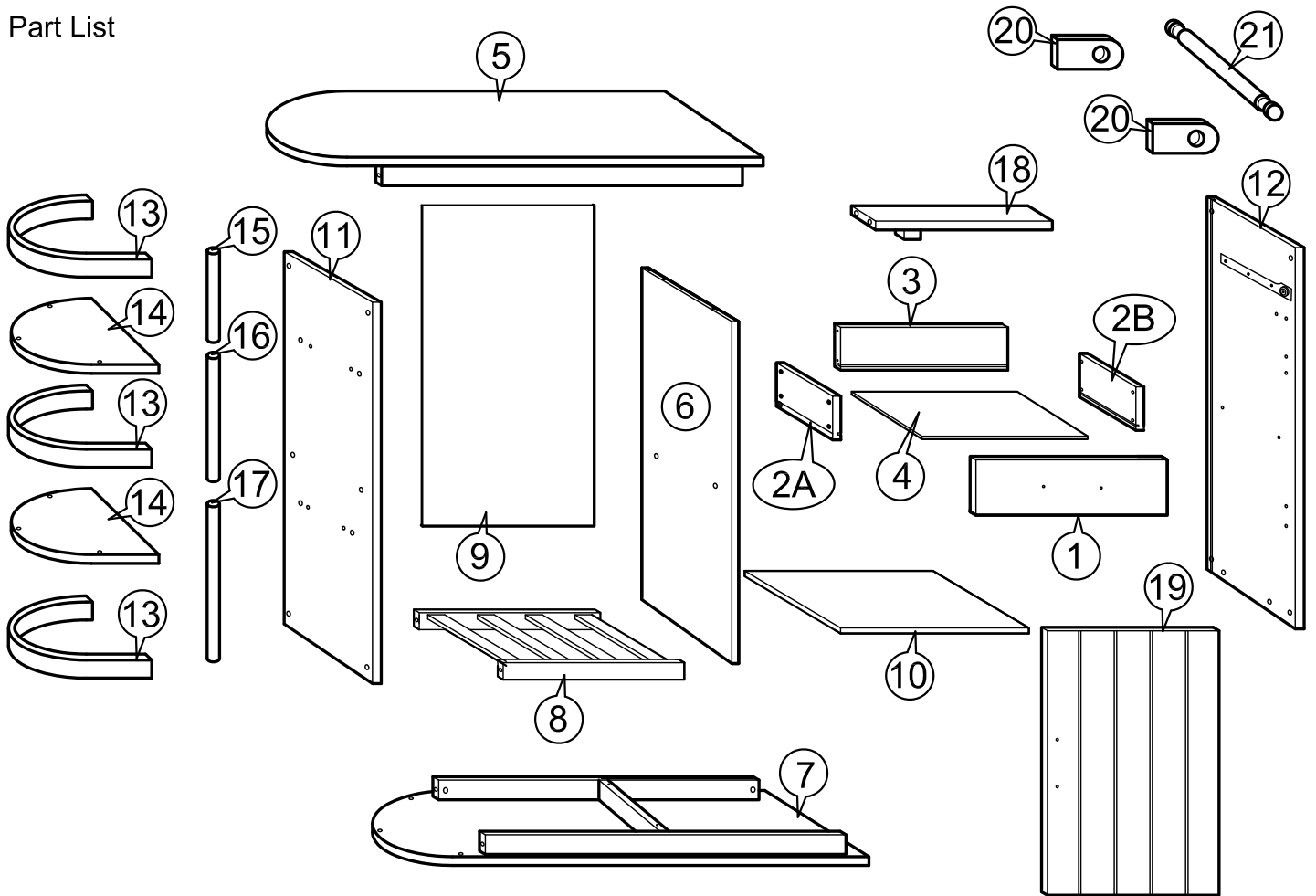


Not Provided



2 Persons

Part List



Hardware List

| | | | | | | | |
|---|----------------|---|----------------|---|-----------------------------|---|----------|
| A | M6 x 40mm = 7 | G | 9mm = 10 | M | #8 x 1 1/4" = 14 (Black) | R | 50mm = 2 |
| B | M6 x 50mm = 12 | H | 24mm = 10 | N | M8 x 30mm = 12 | | |
| C | 1/4" = 5 | I | 14.5Ø = 8 | O | = 4 | S | 50mm = 2 |
| D | M6 x 13mm = 5 | J | M4 x 16mm = 24 | P | M3.5 x 12mm = 4 (Black) | | |
| E | M6 x 13mm = 16 | K | = 2 | Q | 7/8" = 2 | T | = 1 |
| F | M4 = 1 | L | 20mm = 4 | | | | |

Instructions For Fastening CAM-BOLT and CAM-LOCK



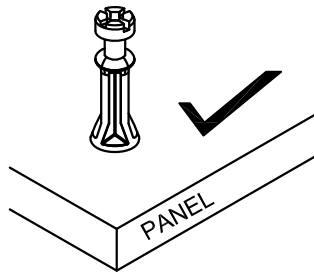
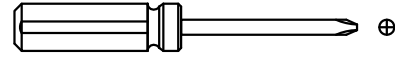
CAM-BOLT



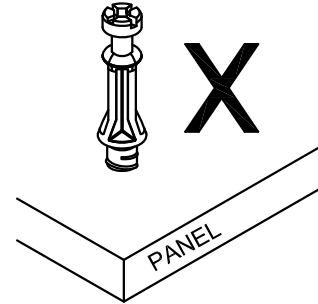
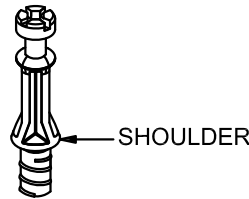
CAM-LOCK

INSERTING AND TIGHTENING CAM-BOLT

Insert Cam-bolt into the pre-drilled hole. Use a Phillips Screwdriver to tighten until shoulder is snug and flushed with the panel. See illustrations below.



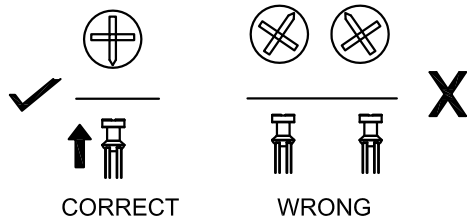
Shoulder is flushed (on the same level) with the panel.



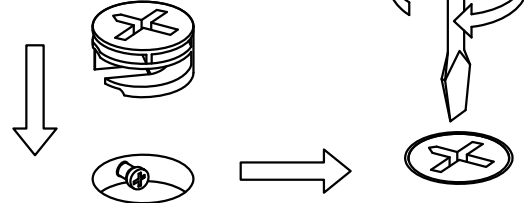
Shoulder is above the panel.

INSERTING CAM-LOCK

Align the arrow on the Cam-lock to the Cam-bolt head and insert the Cam-lock.



TIGHTENING CAM-LOCK

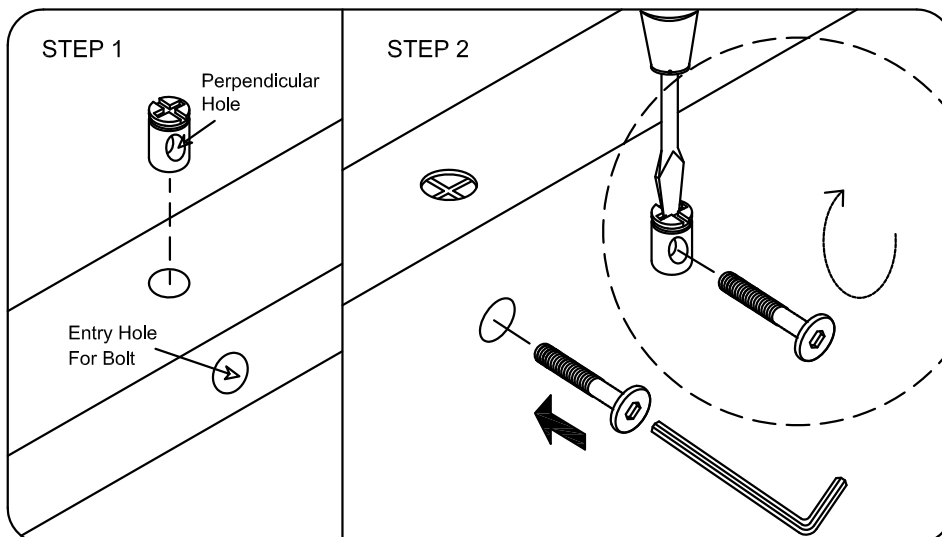


Cam-bolt head needs to be in center

Use a Flat-head Screwdriver to turn the Cam-lock clockwise to lock onto the head of the Cam-bolt. Turn until it is snug -- over-tightening could damage Cam-lock or/and Cam-bolt

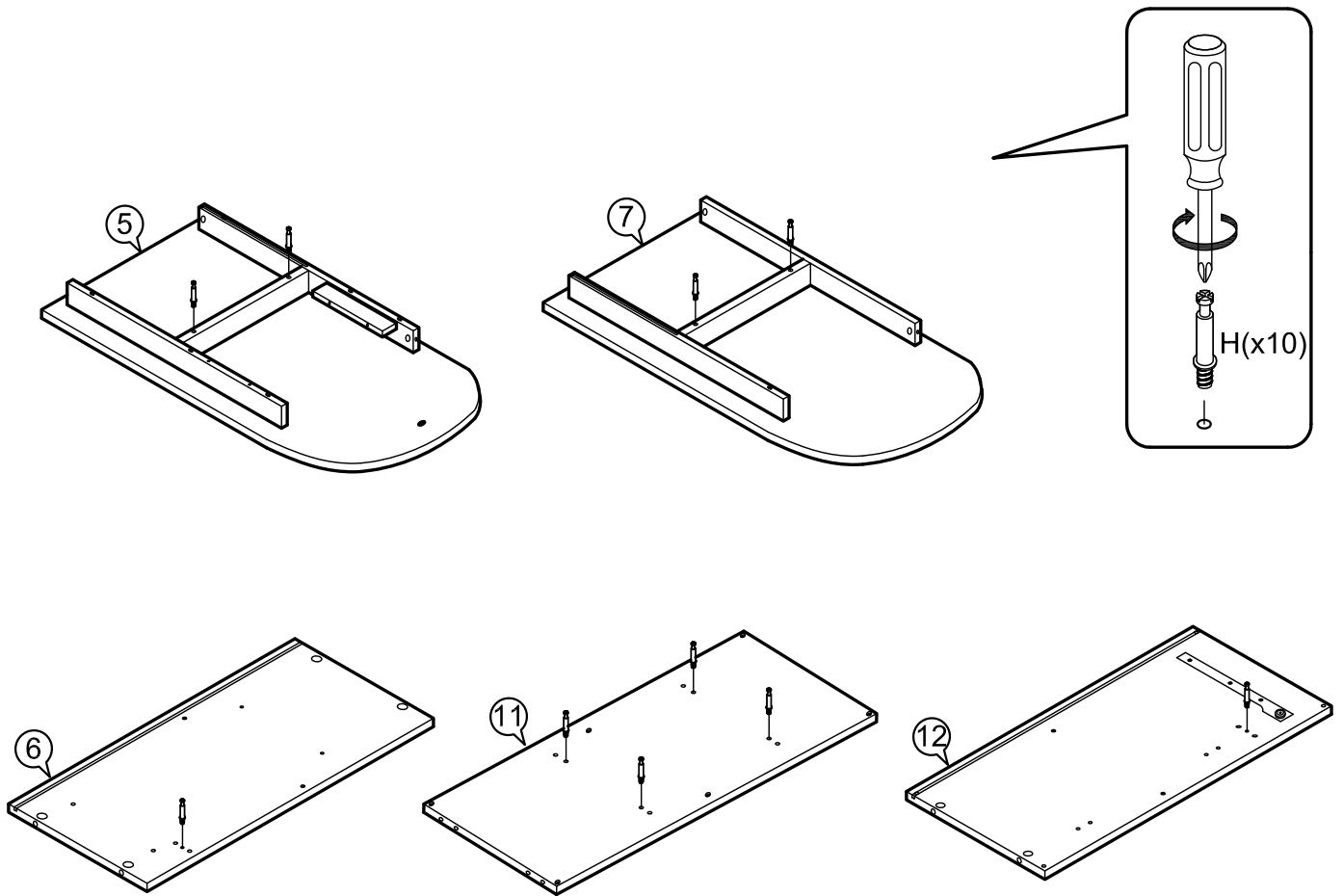
Instructions For Installing Barrel Nut

Insert Barrel Nut with the perpendicular hole facing and in-line with the drill hole that the bolt is to be inserted.

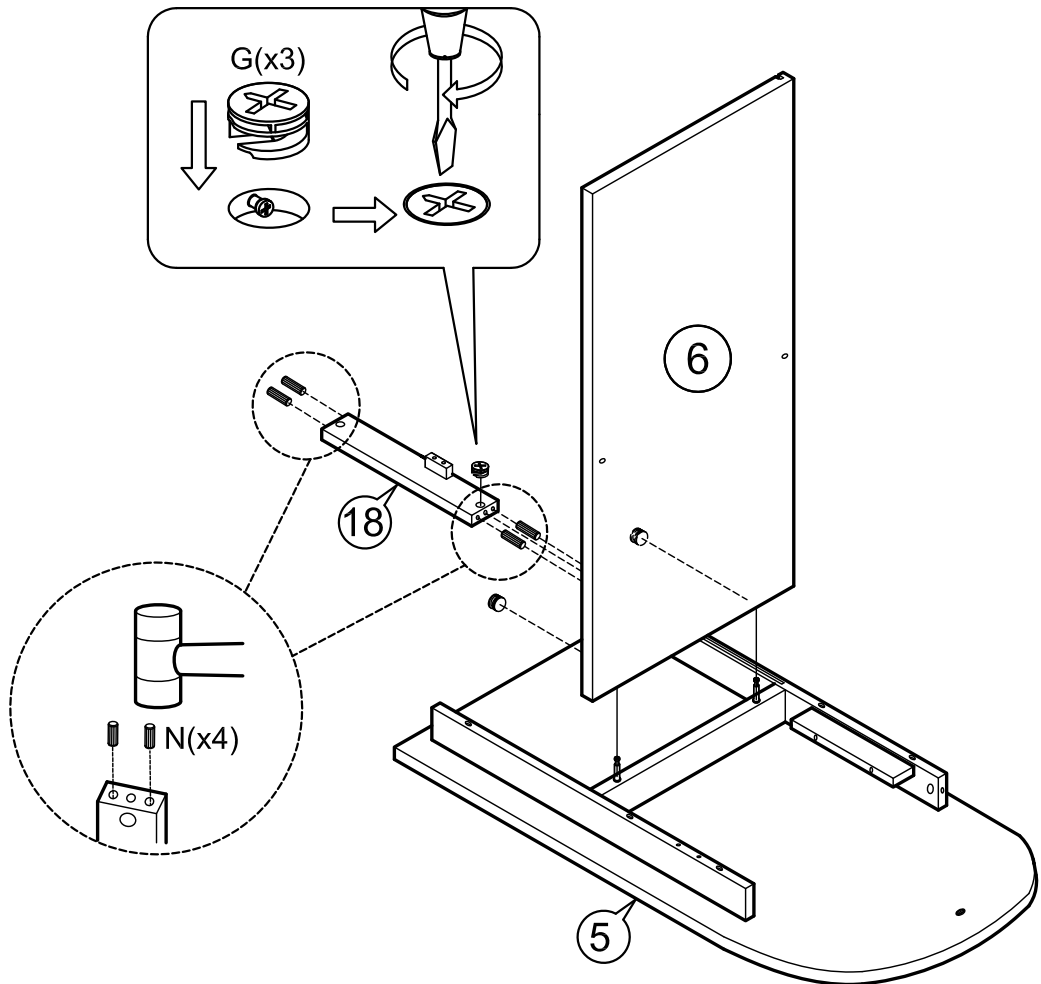


Use a Flat-head Screwdriver to hold Barrel Nut in position before inserting bolt to thread into the Barrel Nut.

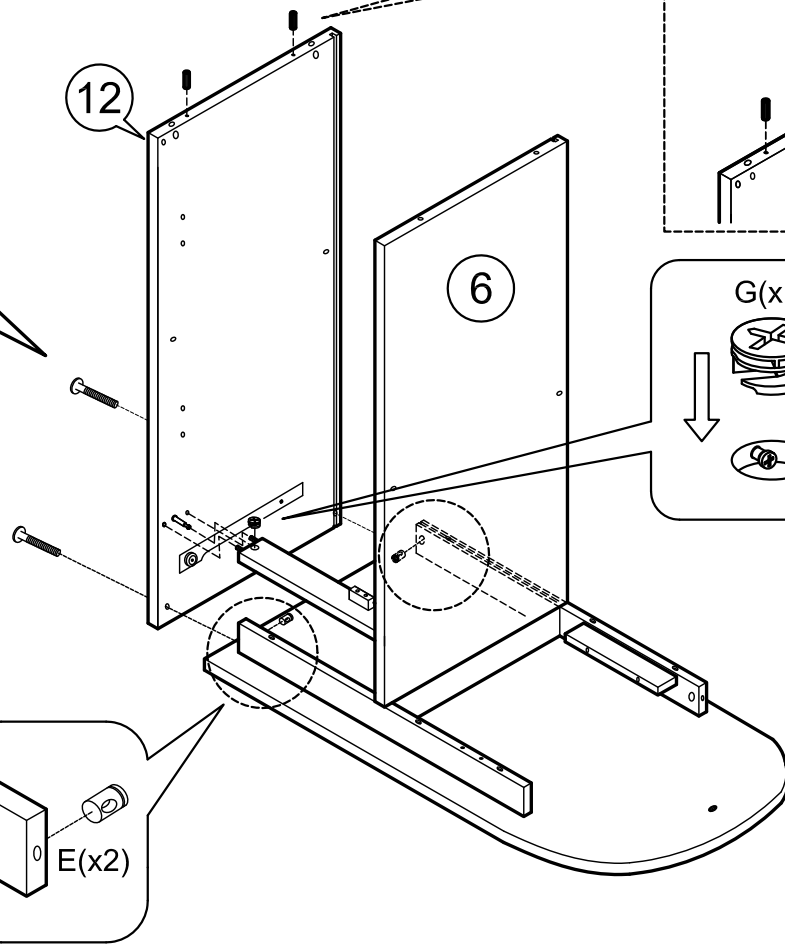
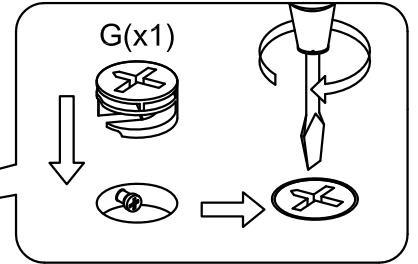
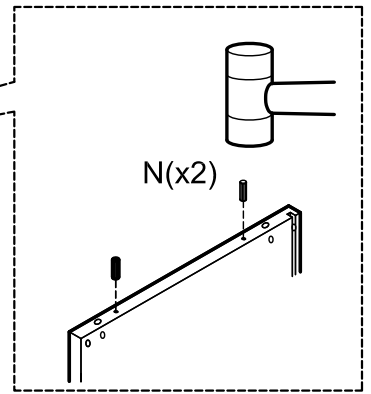
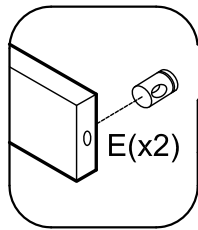
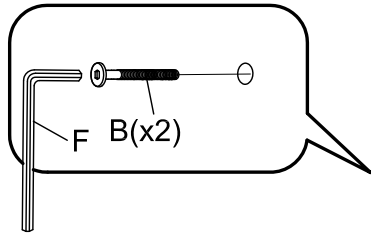
1



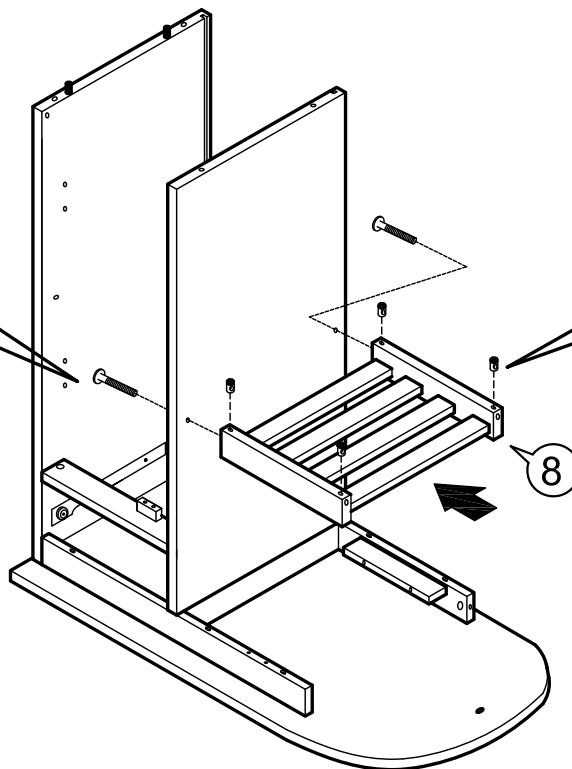
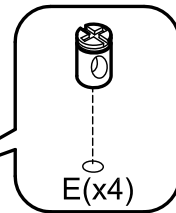
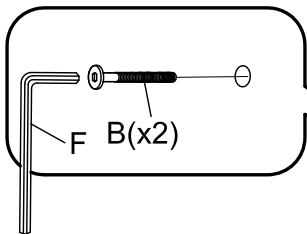
2



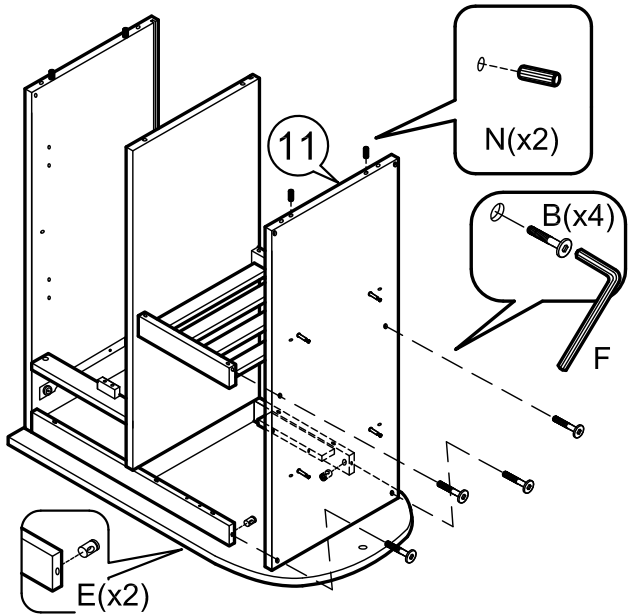
3



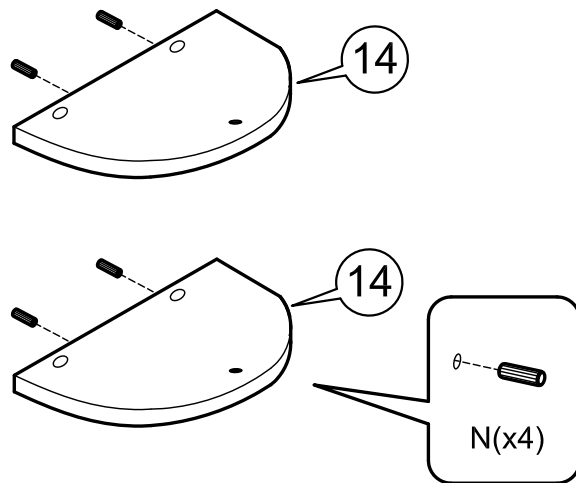
4



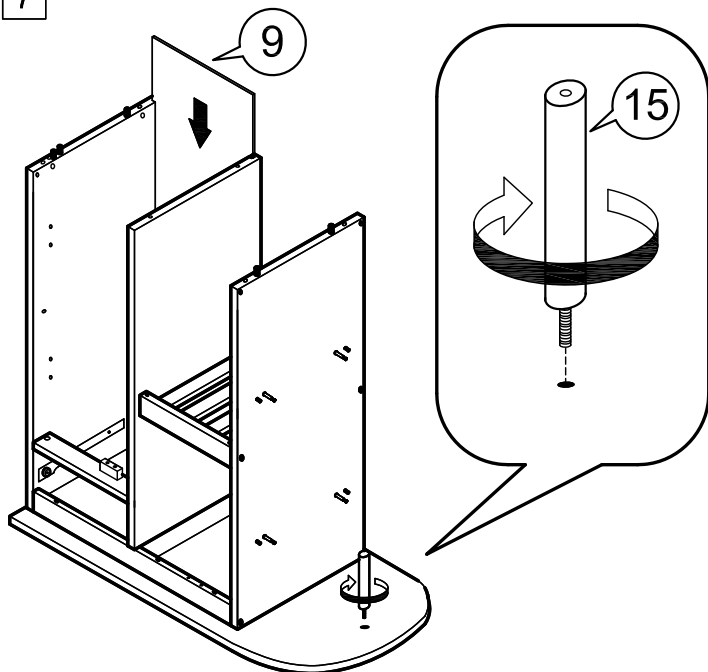
5



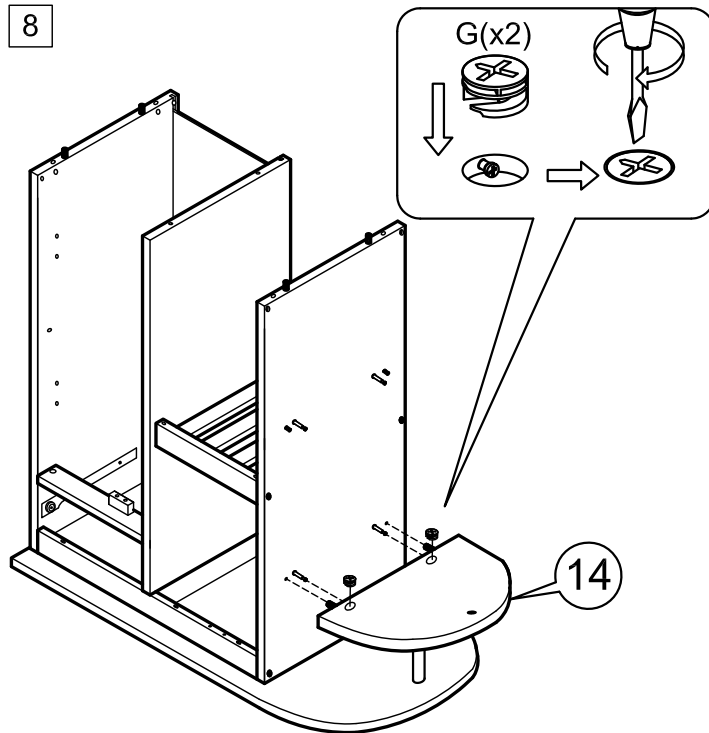
6



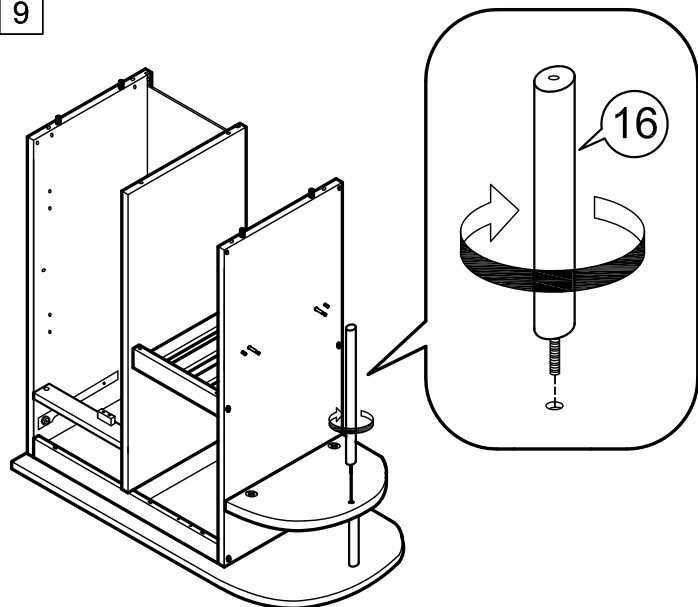
7



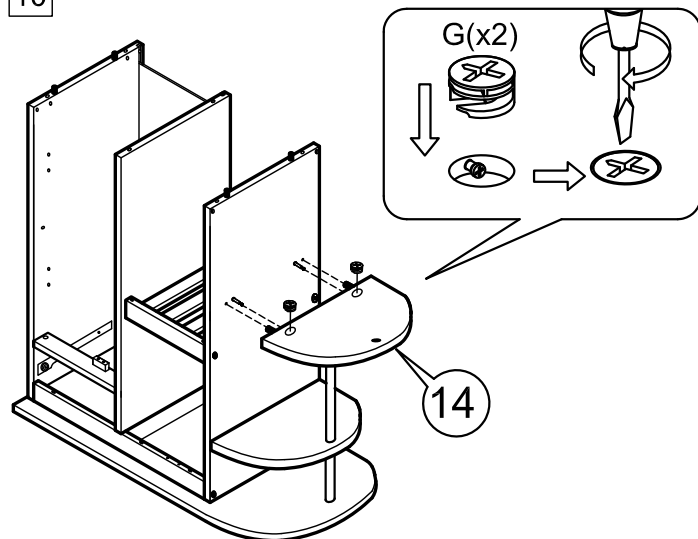
8



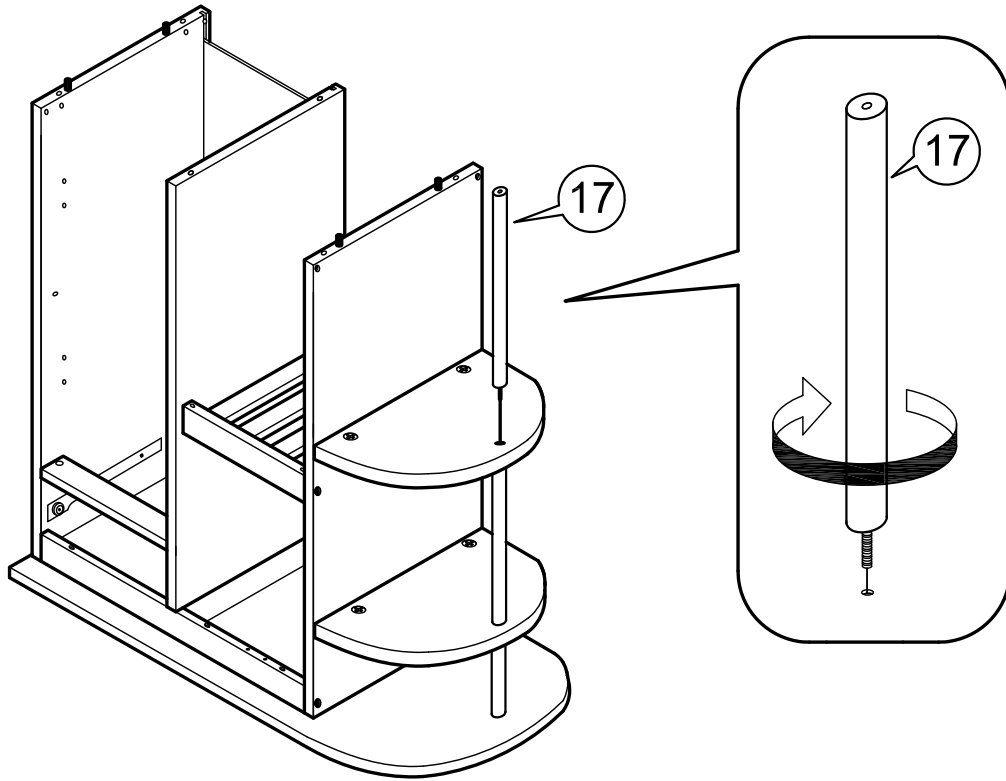
9



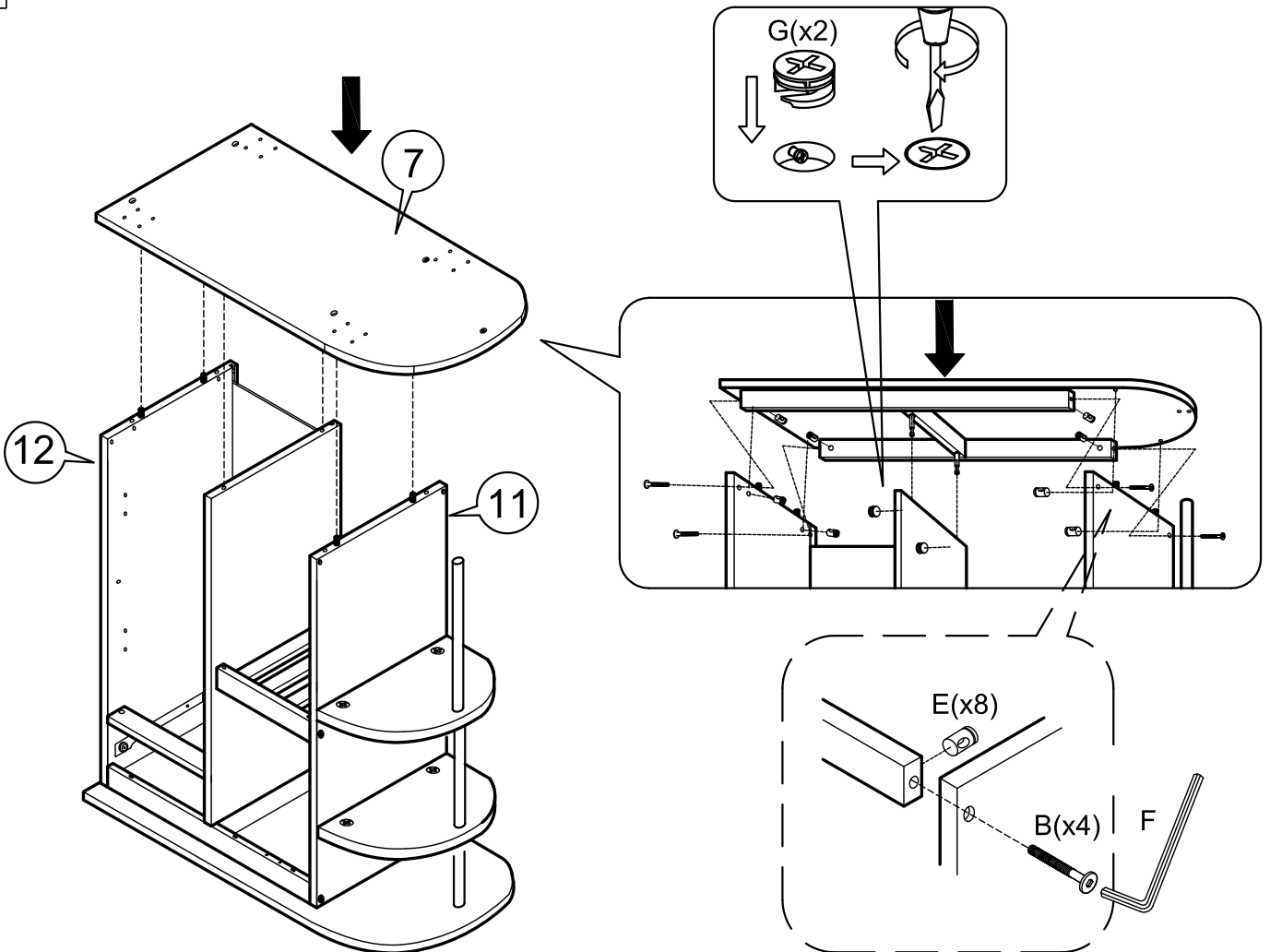
10



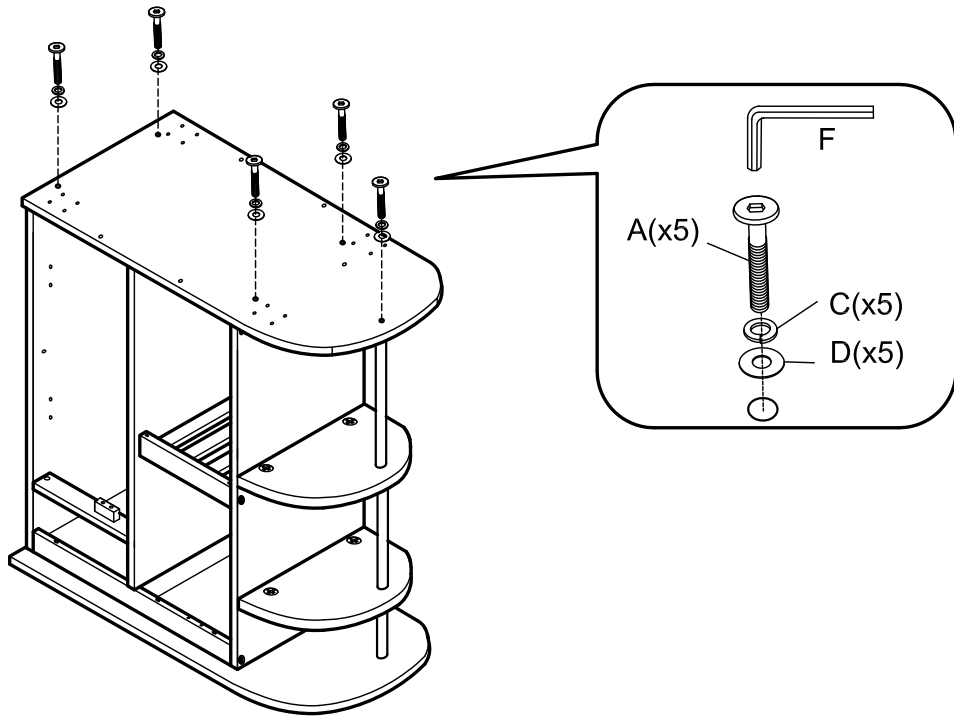
11



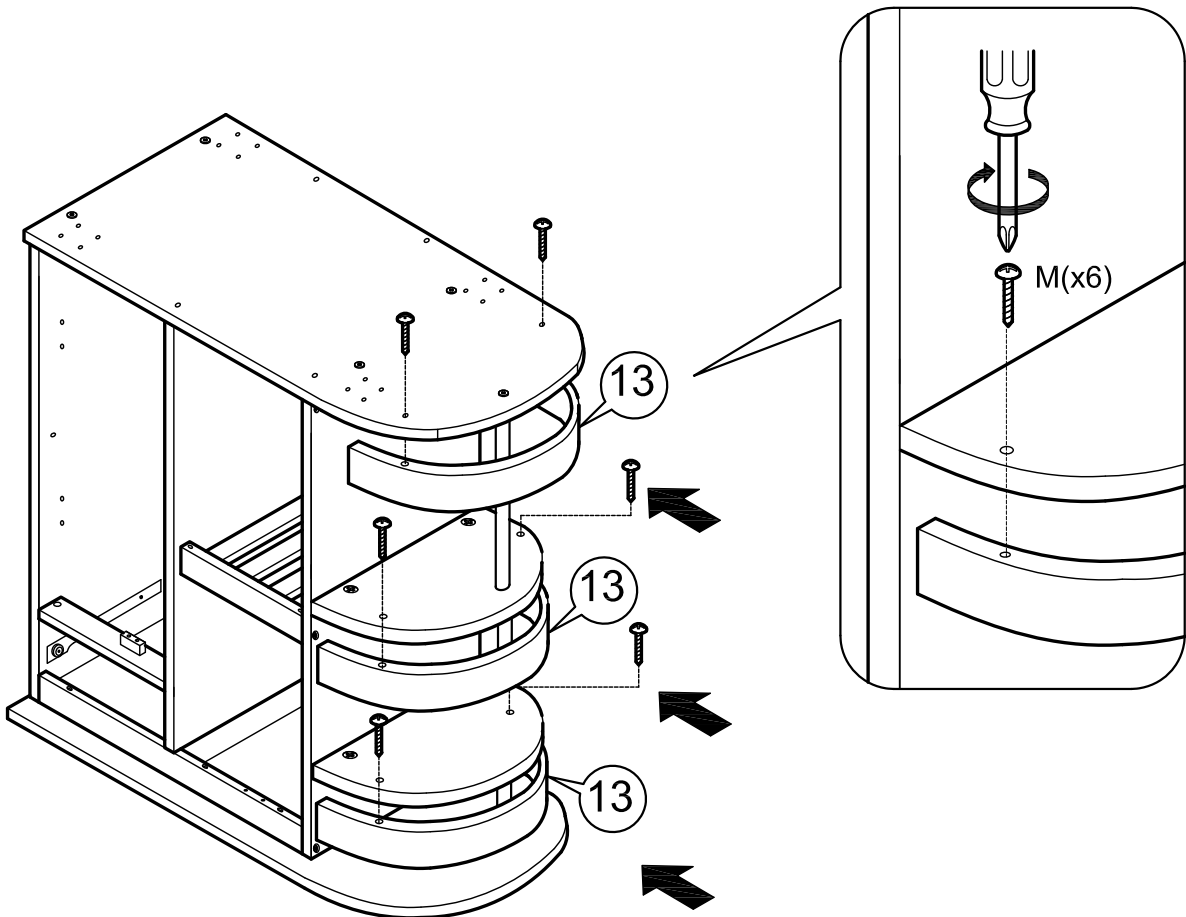
12



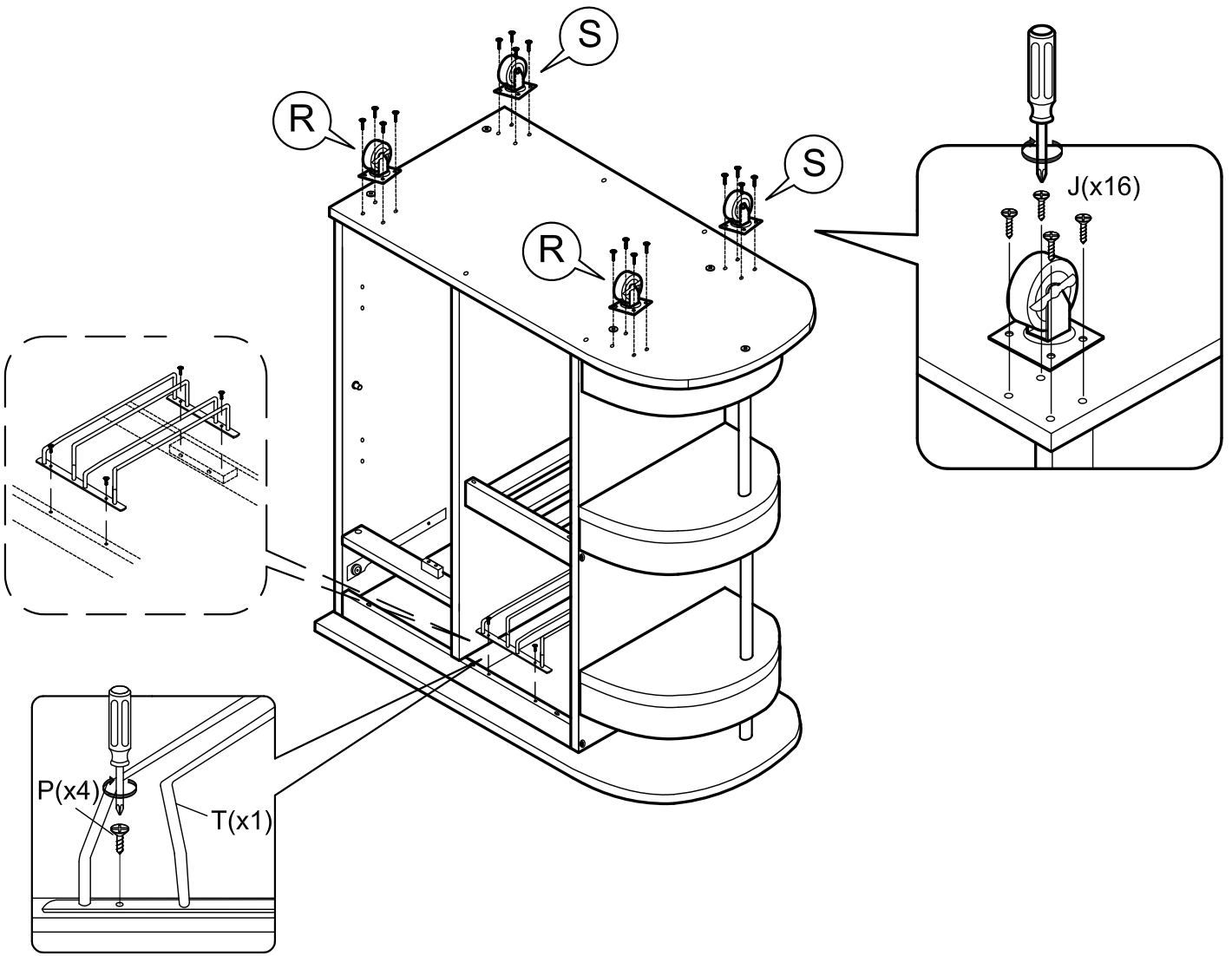
13



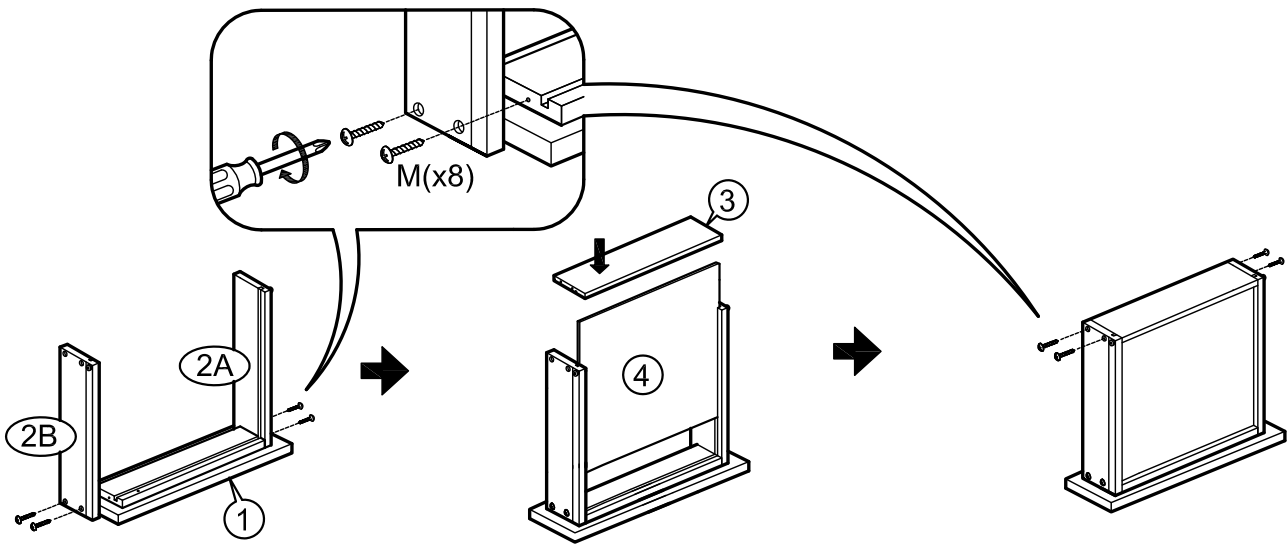
14



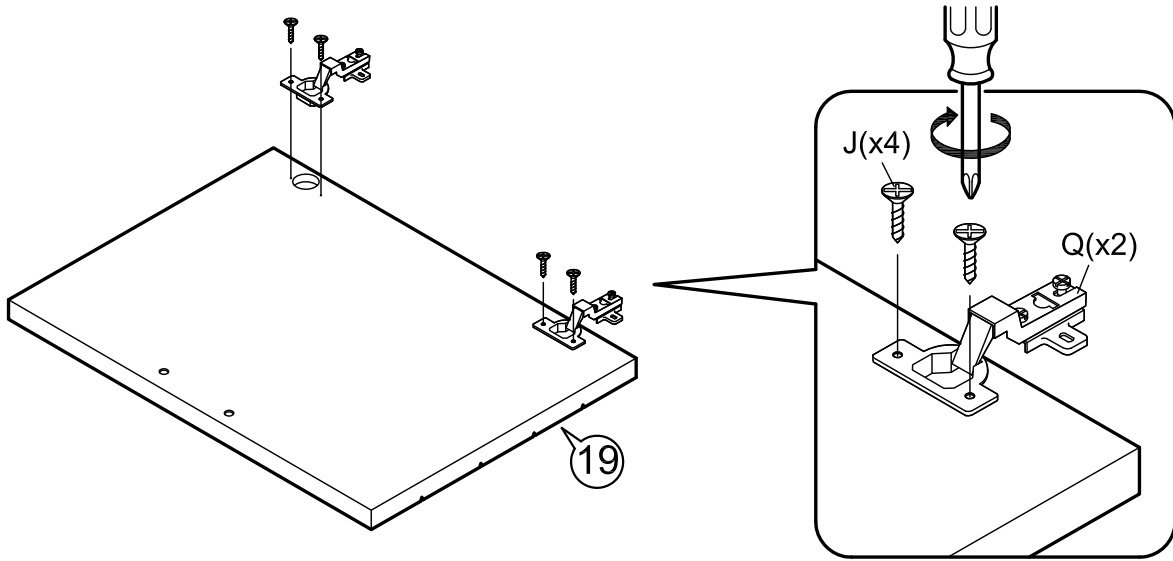
15



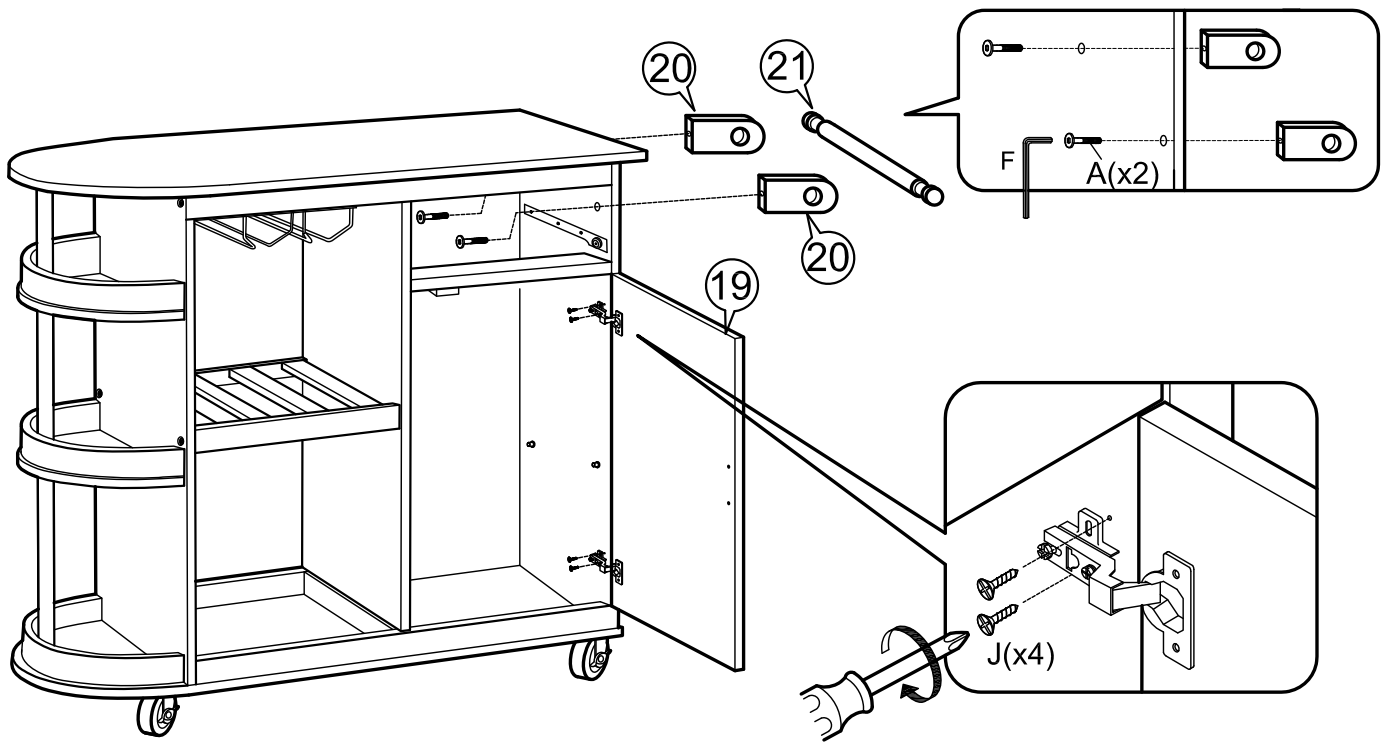
16



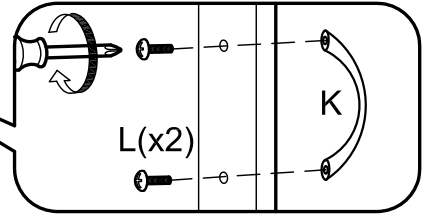
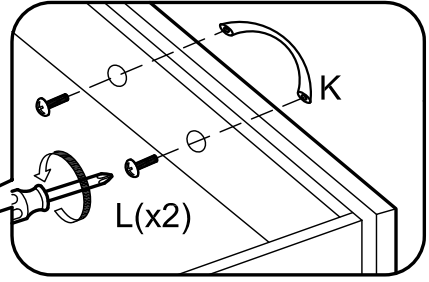
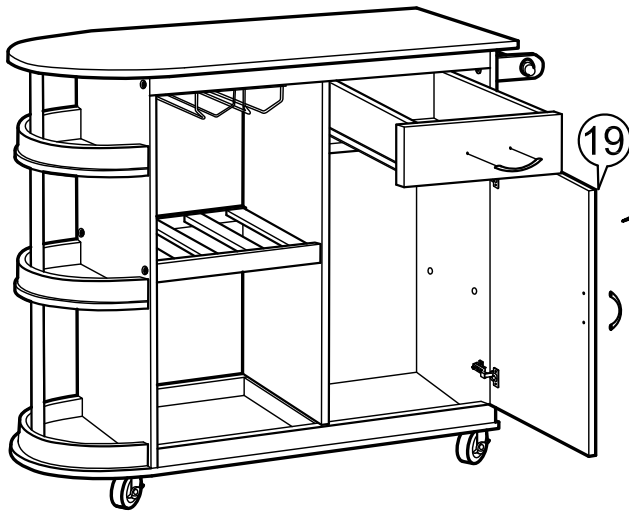
17



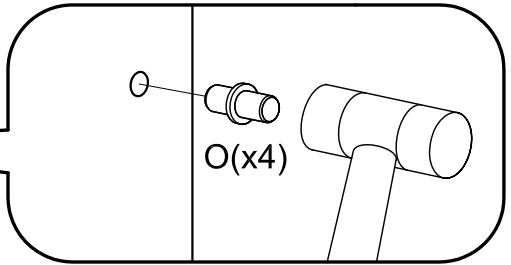
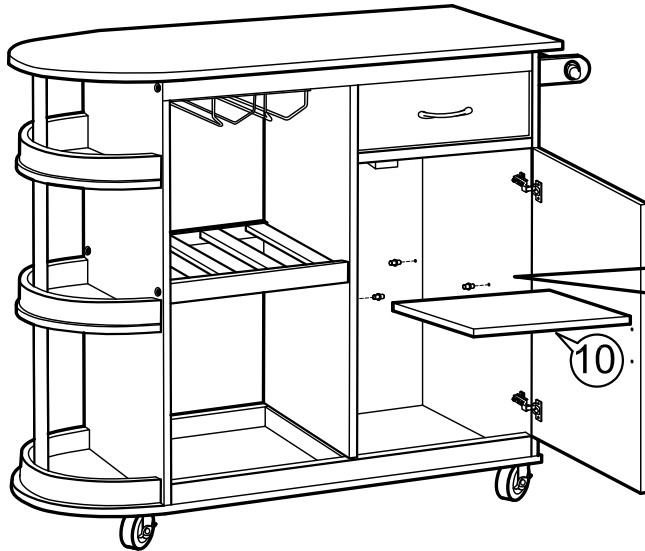
18



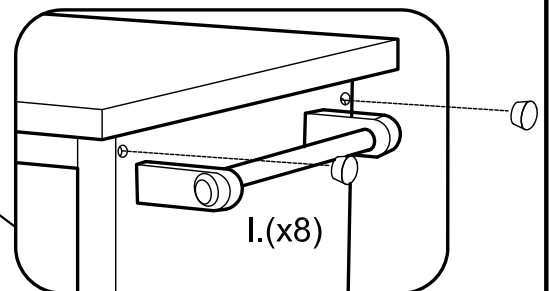
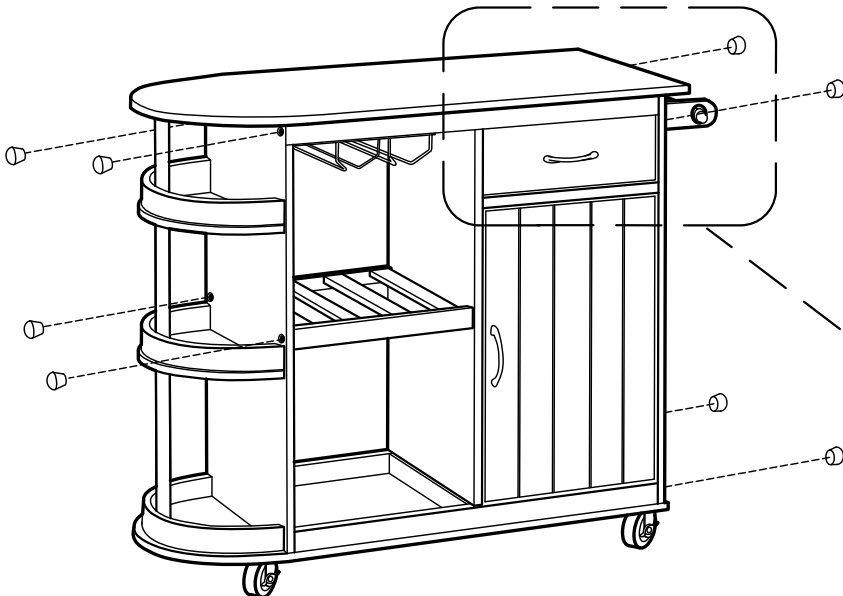
19



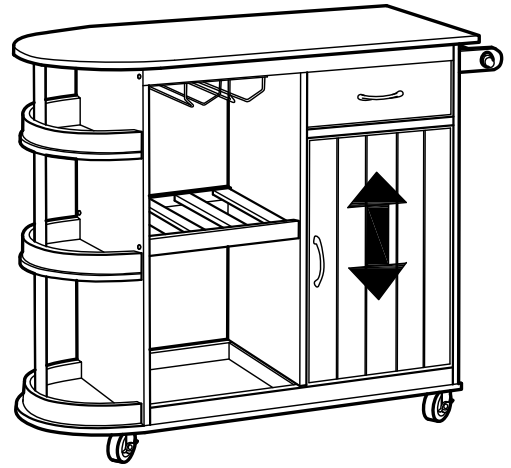
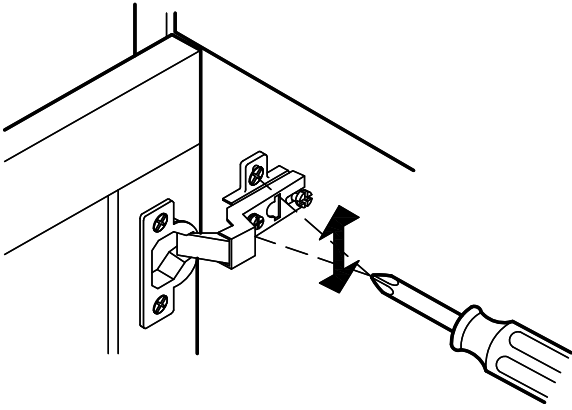
20



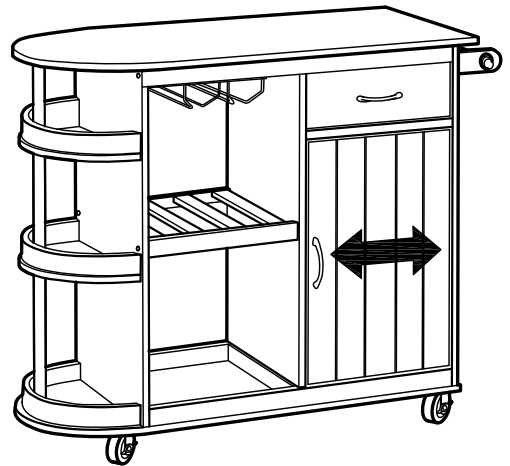
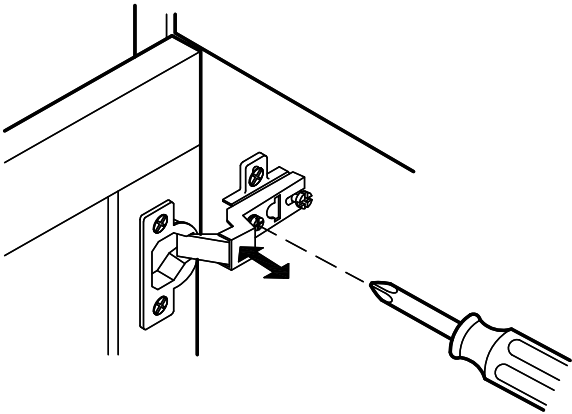
21



22



23



24

