


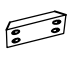

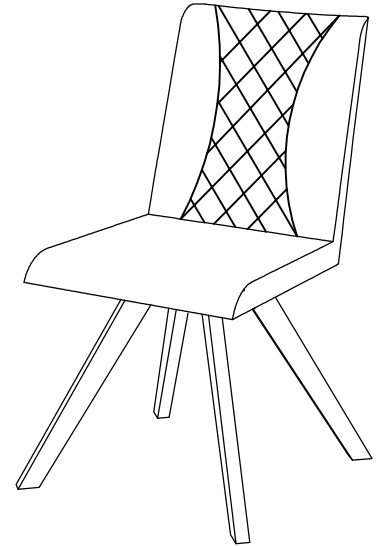


# ASSEMBLY INSTRUCTION

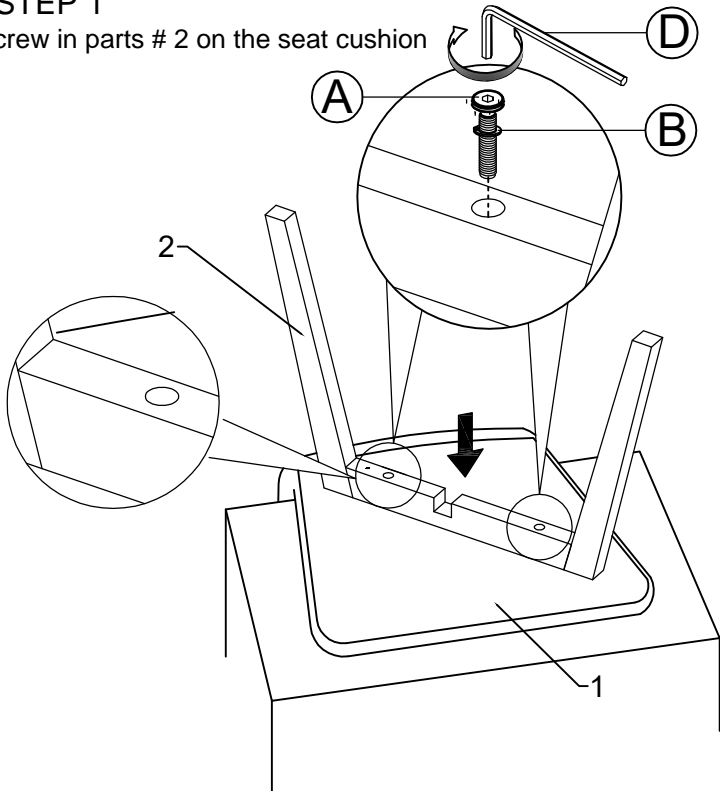
MODEL : LW1902-G

PART LIST			
1	Chair Body		1 PC
2	Leg		1 PC
3	Leg		1 PC
4	Corner Block		2 PCS

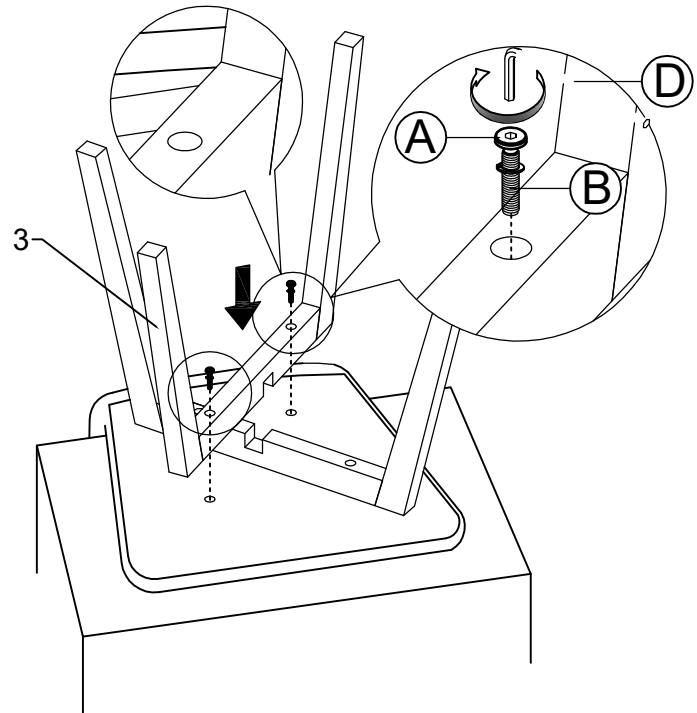
HARDWARE LIST			
A	JCBC M6 X 60mm		4 PCS
B	Spring Washer M6 X 13mm		4 PCS
C	CSK Screw M4 X 25mm		8 PCS
D	Allen Key		1 PC



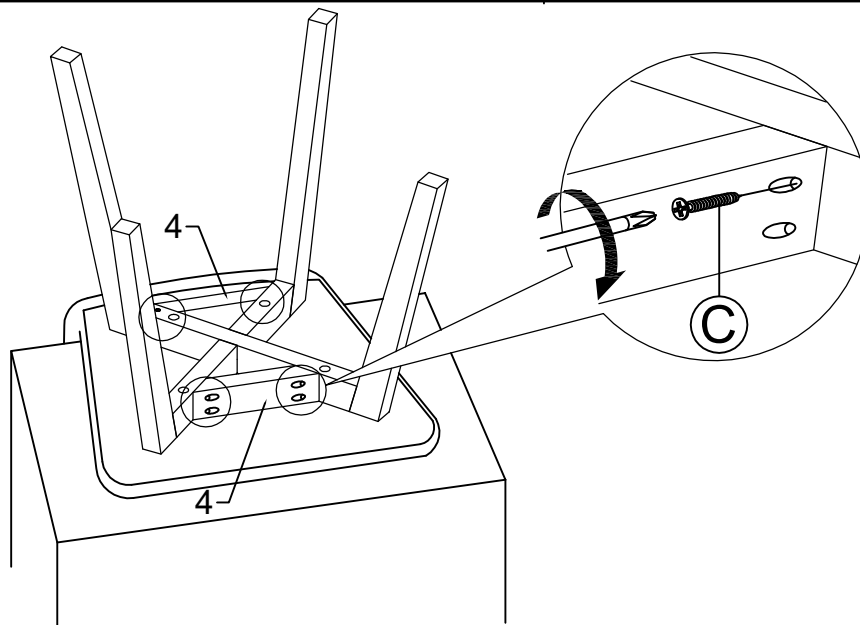
**STEP 1**  
screw in parts # 2 on the seat cushion



**STEP 2**  
screw in parts # 3 on the seat cushion


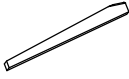


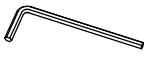



**STEP 3**  
screw in corner blocks on leg

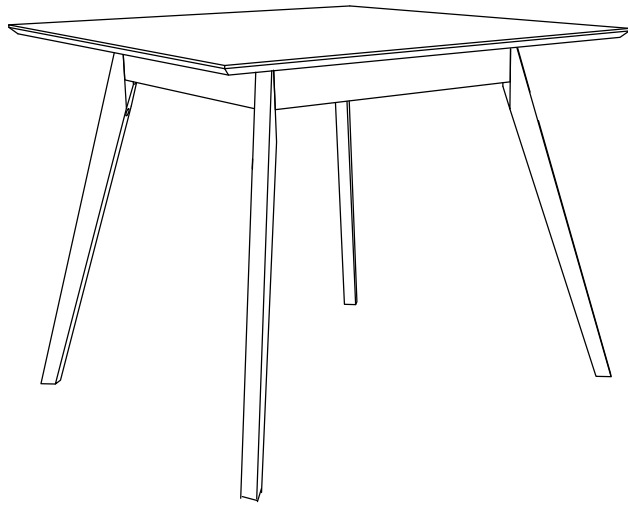


# ASSEMBLY INSTRUCTIONS

MODEL : LWM(SR)90908HL32

Part List		
NO	Component	QTY
1	Table Top & Apron 	1 pc
2	Table Leg 	4 pcs

Hardware List		
NO	Description	QTY
A	Allen Key 	1 pc
B	JCBB Screw M8 x 70mm 	8 pcs
C	Spring Washer 	8 pcs
D	Flat Washer 	8 pcs



## STEP 1

