

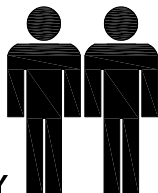
MODEL NAME:

ET 3215-00

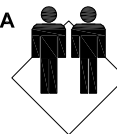
1.0hr

APPROXIMATE ASSEMBLY TIME

2 PERSON OF ASSEMBLY

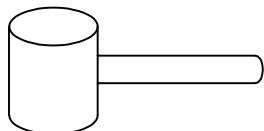


FLOOR AREA
1.5M X 1.0M

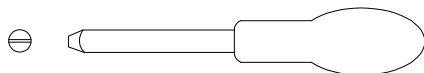


REQUIRED ASSEMBLY SPACE

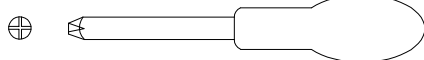
REQUIRED ASSEMBLY TOOLS



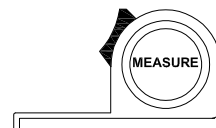
SOFT RUBBER HAMMER



SLOTTED SCREWDRIVER

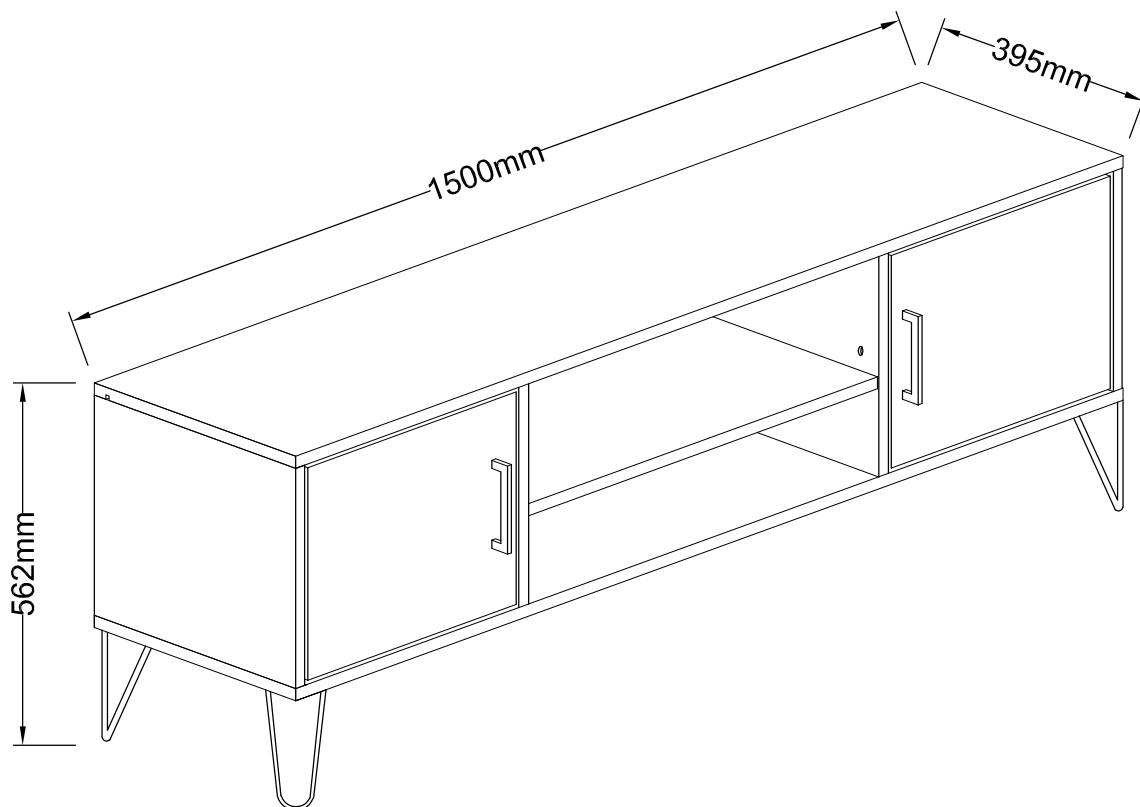


POZI SCREWDRIVER



MEASURING TAPE

ASSEMBLED DIMENSIONS



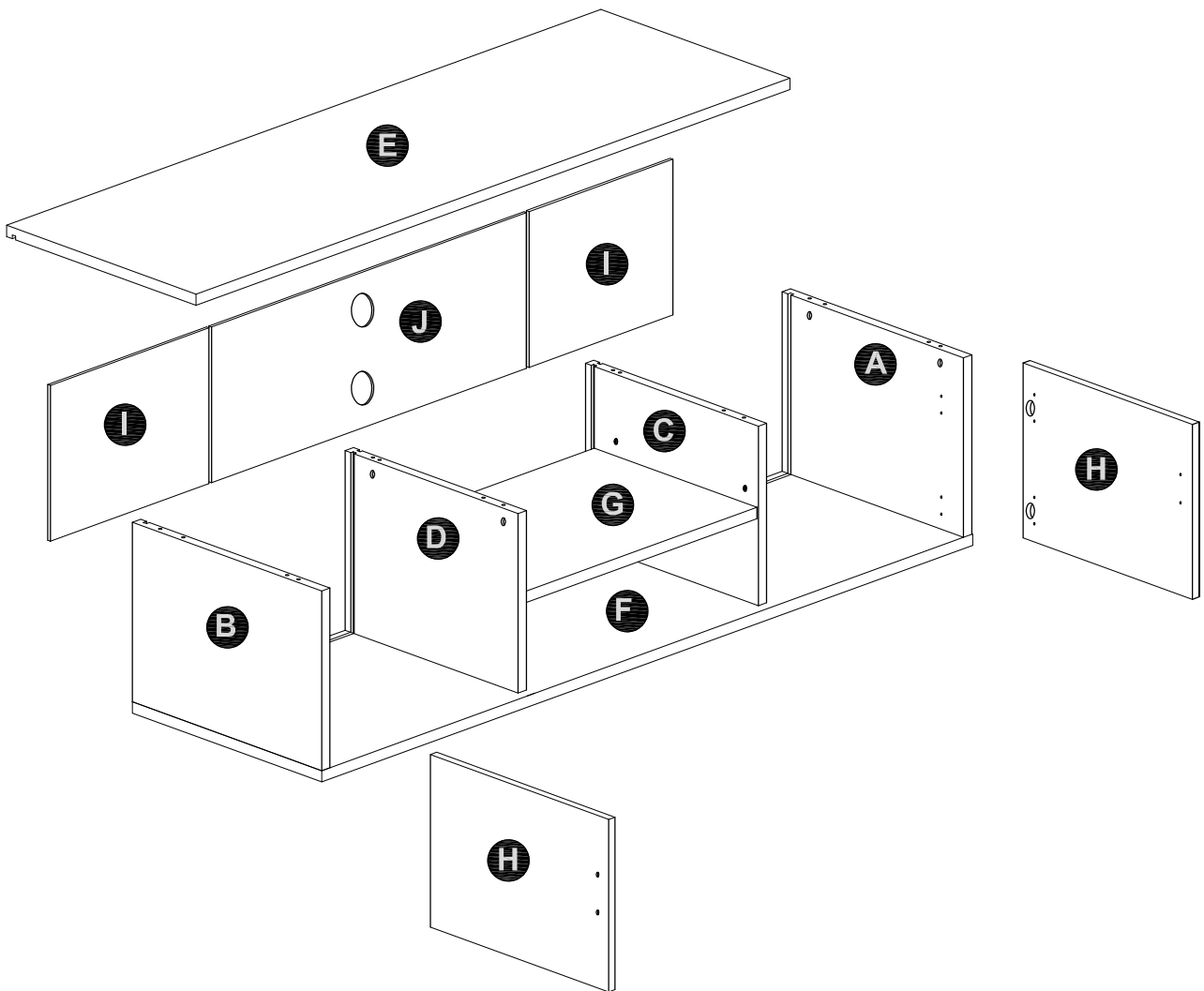
NOTE : THE MAXIMUM WEIGHT THIS PRODUCT CAN HOLD UP TO 25 KGS.

MODEL NAME:

ET 3215-00

NO.	PART LIST	QTY
(A)	RIGHT SIDE PANEL	1
(B)	LEFT SIDE PANEL	1
(C)	RIGHT CENTRE PANEL	1
(D)	LEFT CENTRE PANEL	1
(E)	TOP PANEL	1
(F)	BOTTOM PANEL	1
(G)	ADJUSTABLE PANEL	1
(H)	DOOR PANEL	2
(I)	BACK PANEL(A)	2
(J)	BACK PANEL(B)	1

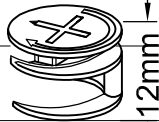
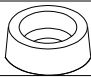
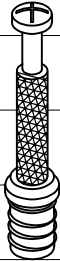

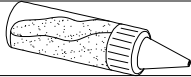
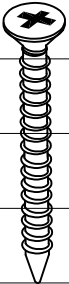
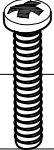
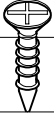
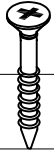
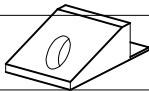

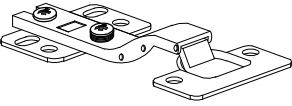
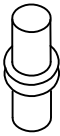

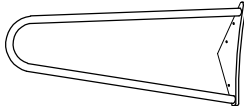
PARTS LIST



MODEL NAME:

ET 3215-00

HARDWARE LIST

 12mm				
8X Dia.15mm 1 LARGE CAMLOCK	2X Dia 8mm 2 DOOR STOPPER	8X M6.5 3 QUICKFIT	16X Dia.6 x 30mm 4 WOOD DOWEL	1X 5 GLUE 10CC
				
8X M8 x 38mm 6 FLAT HEAD SCREW	4X M4 x 19mm 7 PAN HEAD SCREW	16X M4 x 16mm 8 FLAT HEAD SCREW	12X M3 x 20mm 9 FLAT HEAD SCREW	12X 10 BACKPLY STOPPER
				
20X M3.5 x 16mm 11 FLAT HEAD SCREW	4X 12 ADJUSTABLE HINGE	4X Dia.5 x 16mm 13 SHELF STUB	2X 14 HANDLE	6X 240MM 15 METAL LEG

MODEL NAME:

ET 3215-00

Top Tips before you start!

1. Please check that all parts are present before you start the assembly of your furniture.
2. For ease and speed of assembly, we recommend that before you commence each step of the assembly, that you identify all the parts required for that step.
3. For larger items, please ensure that you have sufficient space and people (as indicated on page 1) to assemble your product safely
4. We recommend that, where possible, all items are assembled near to the area in which they will be placed in use, to avoid moving the product unnecessarily once assembled.
5. For the protection of your furniture, we recommend that the product is placed on a protected surface during assembly to prevent any damage.
6. During assembly please take care not to over-tighten any fittings, as this may damage the product.
7. Always place the product on a flat, steady and stable surface.
8. Do not sit or stand on the product. Do not use the product as a stepladder.
9. This product is intended for indoor, household use only as it is non industrial product.
10. This product is constructed from re-inforced hollow board. Excessive pressure causes irreparable damage. Please do not kneel on any part of this product during assembly.

Care and Maintenance of your Furniture

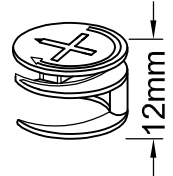
- Please periodically check all fittings and re-tighten as necessary.
- To clean your item, please use a damp cloth and wipe clean.
- Never allow any kind of liquid to remain on your furniture. Absorption can cause wood to warp or finishes to de-laminate.
- Please do not place hot items (e.g. hot drinks) directly on to the wood surface.
- Please do not drag and pull your furniture.

MODEL NAME:

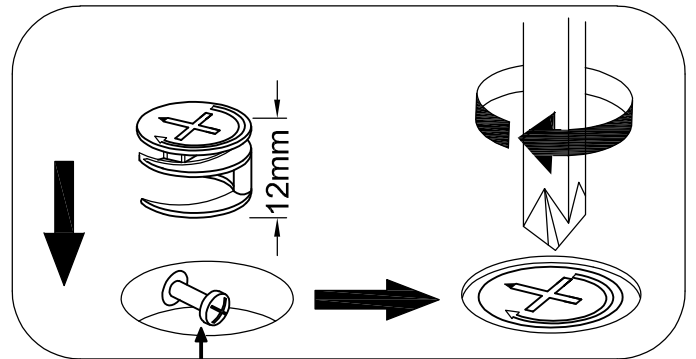
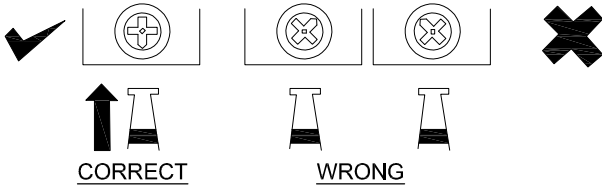
ET 3215-00

SPECIAL TIPS FOR FITTING CAM-LOCKS AND QUICKFIT

CAM-LOCK



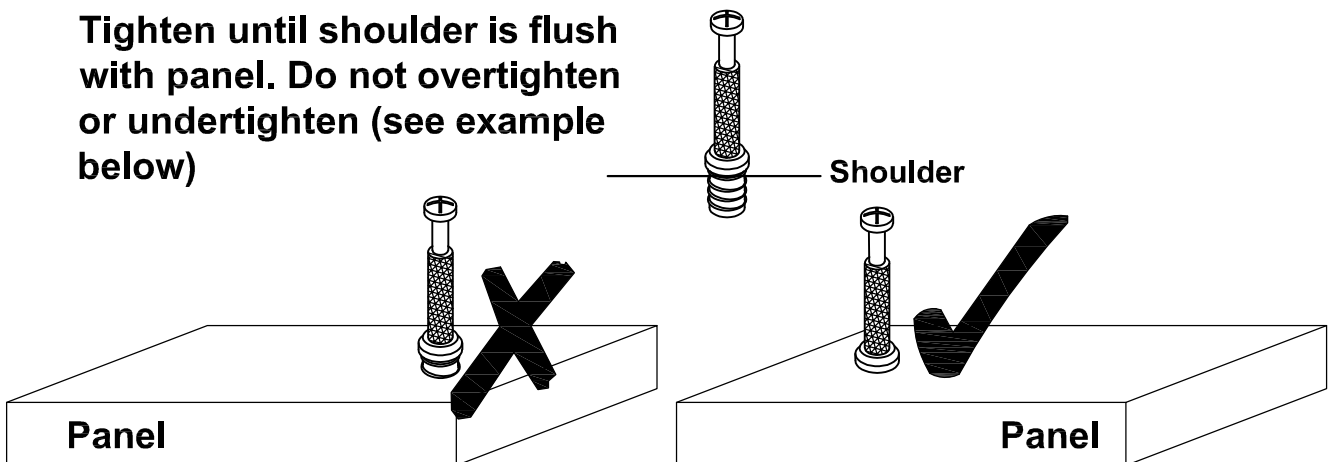
WHEN FITTING CAMLOCK
ENSURE STARTING POSITION IS CORRECT
BEFORE YOU INSERT CONNECTING QUICKFIT
TURN CLOCKWISE UNTIL SECURE



Quickfit head needs to be in centre

CAM BOLT

Tighten until shoulder is flush
with panel. Do not overtighten
or undertighten (see example
below)

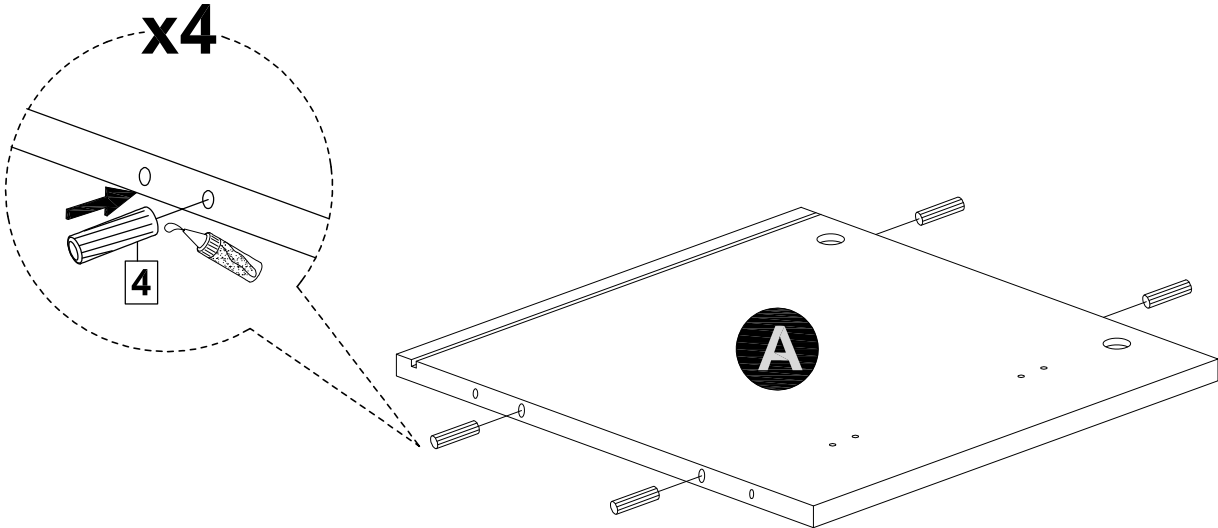


MODEL NAME:

ET 3215-00

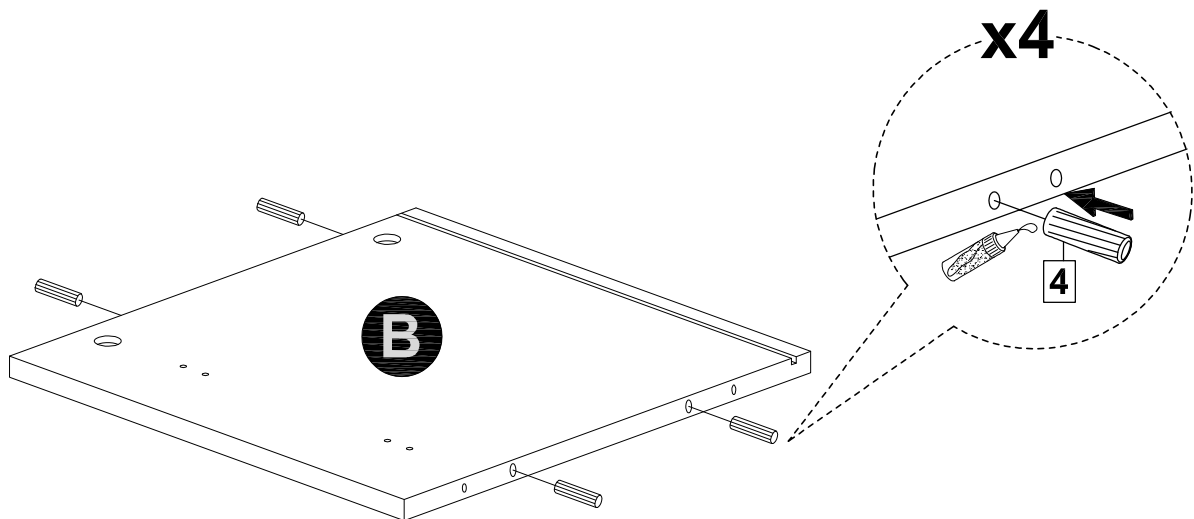
STEP 1

x4



STEP 2

x4

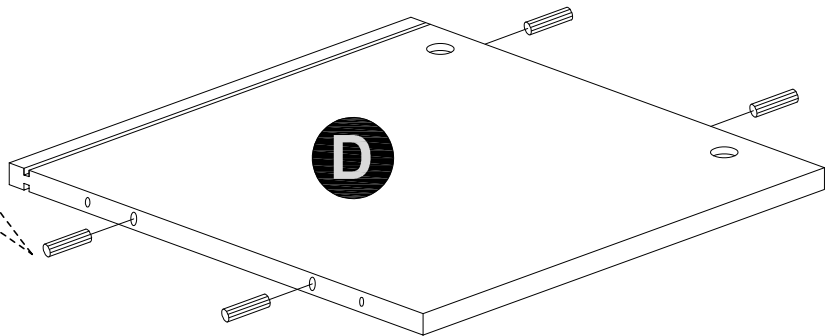
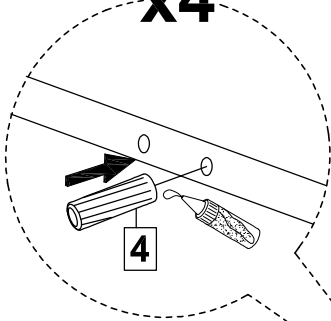


MODEL NAME:

ET 3215-00

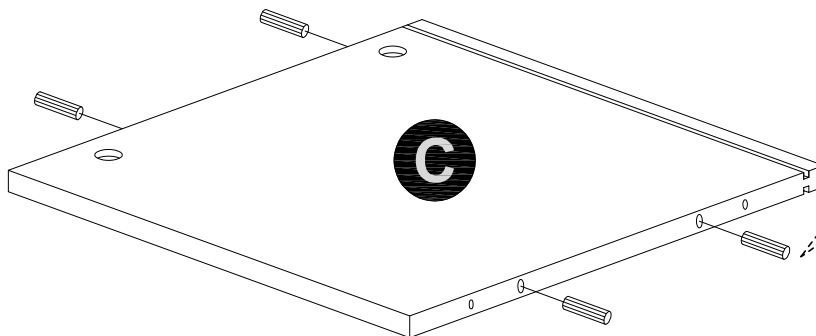
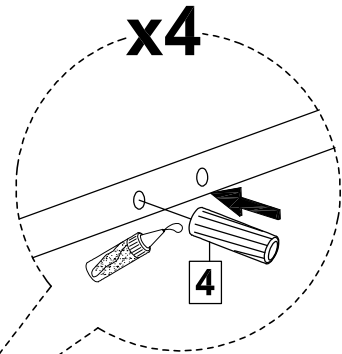
STEP 3

x4



STEP 4

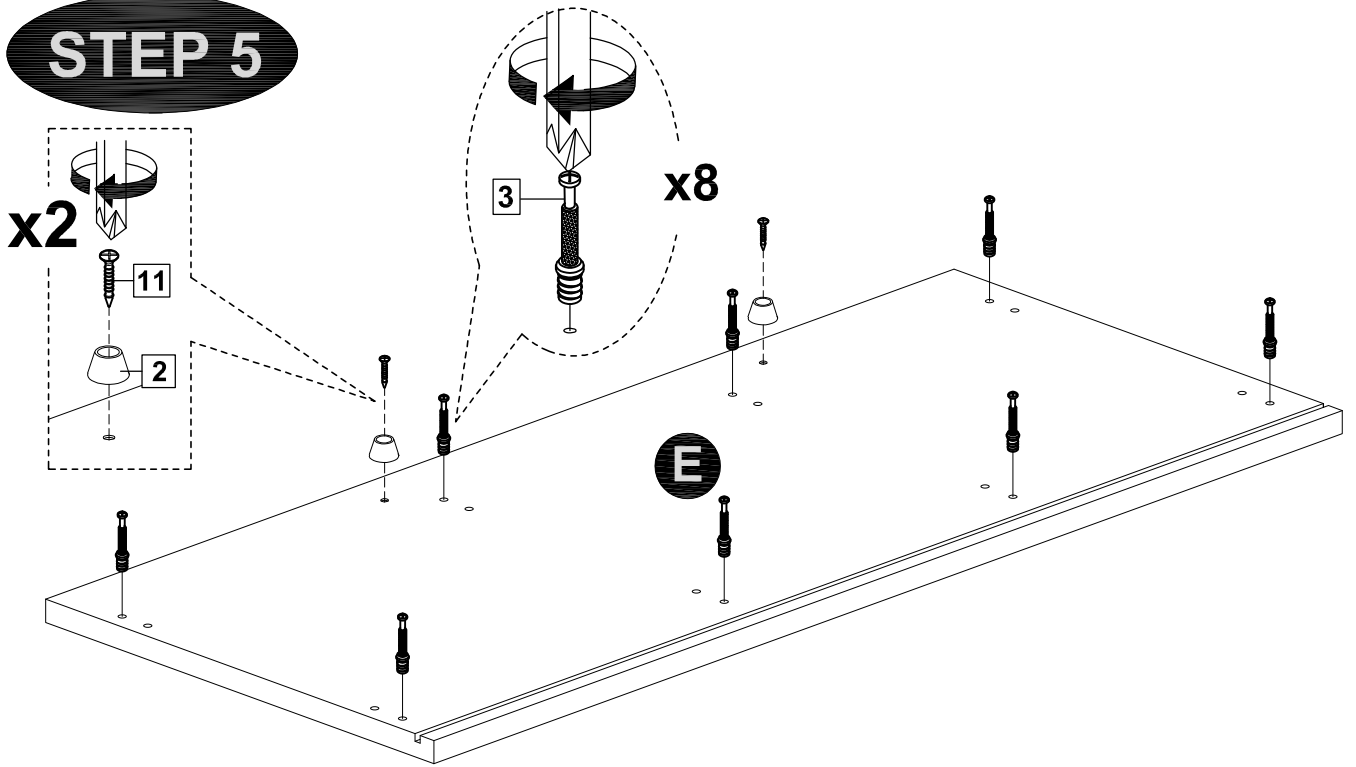
x4



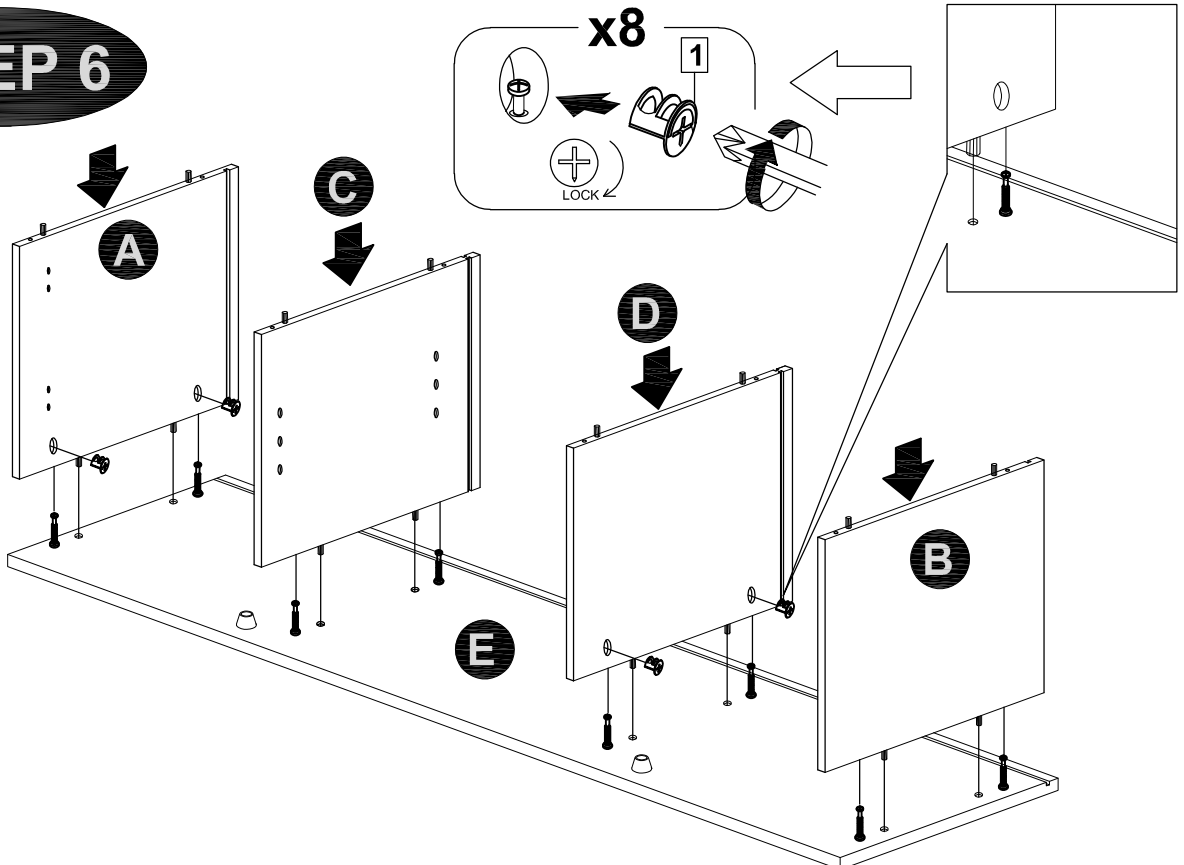
MODEL NAME:

ET 3215-00

STEP 5



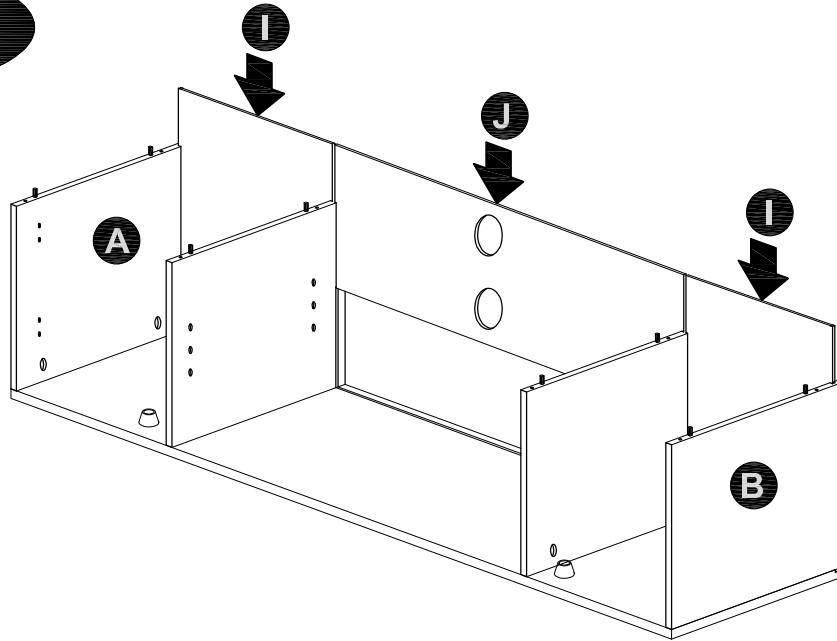
STEP 6



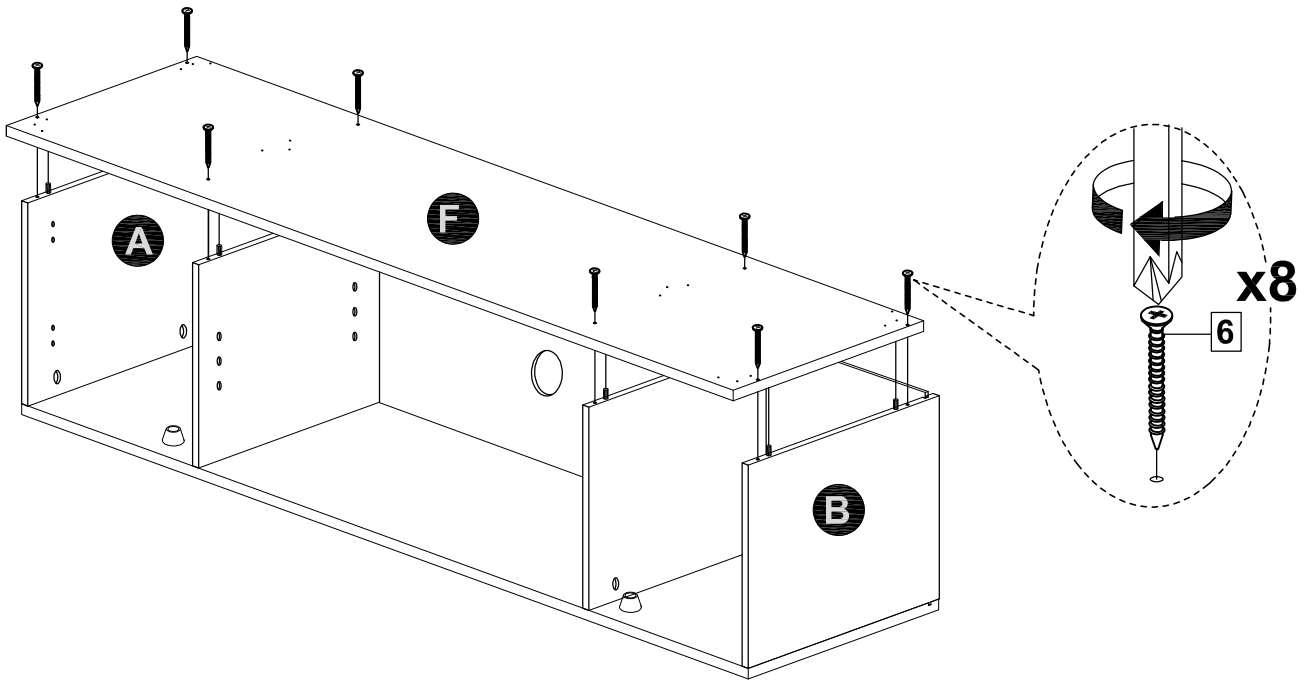
MODEL NAME:

ET 3215-00

STEP 7



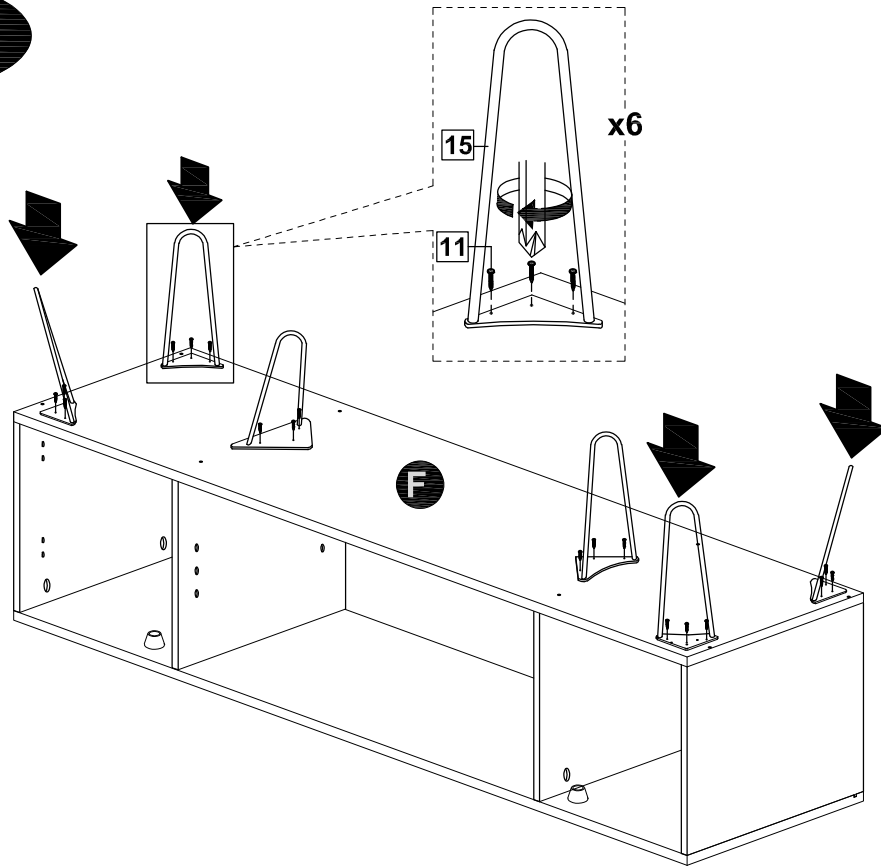
STEP 8



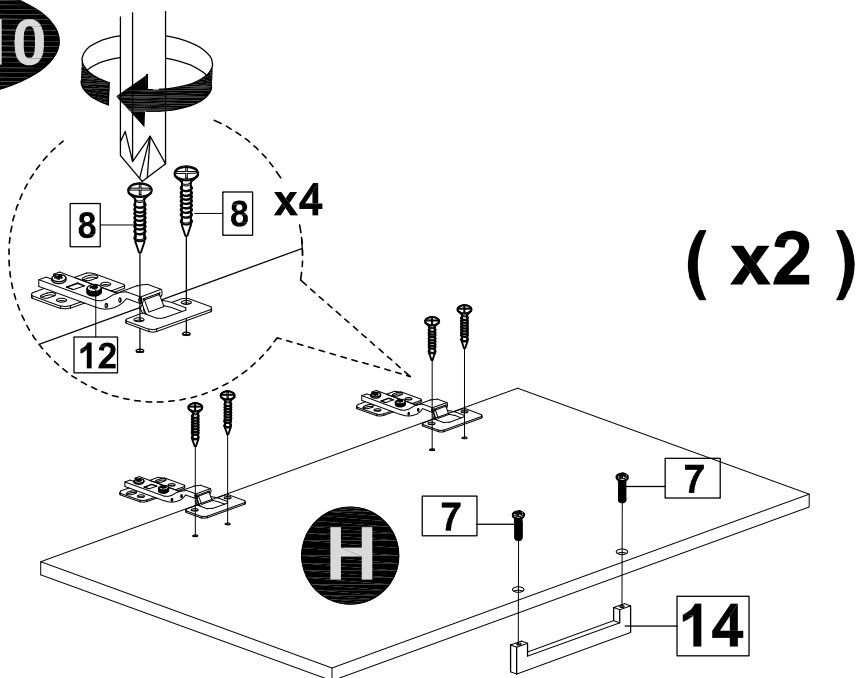
MODEL NAME:

ET 3215-00

STEP 9



STEP 10

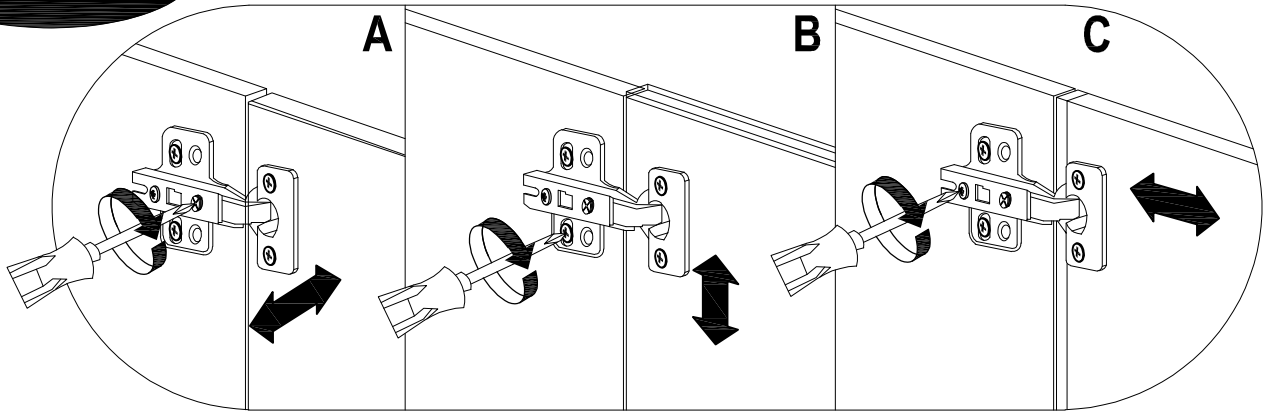


MODEL NAME:

ET 3215-00

STEP 11

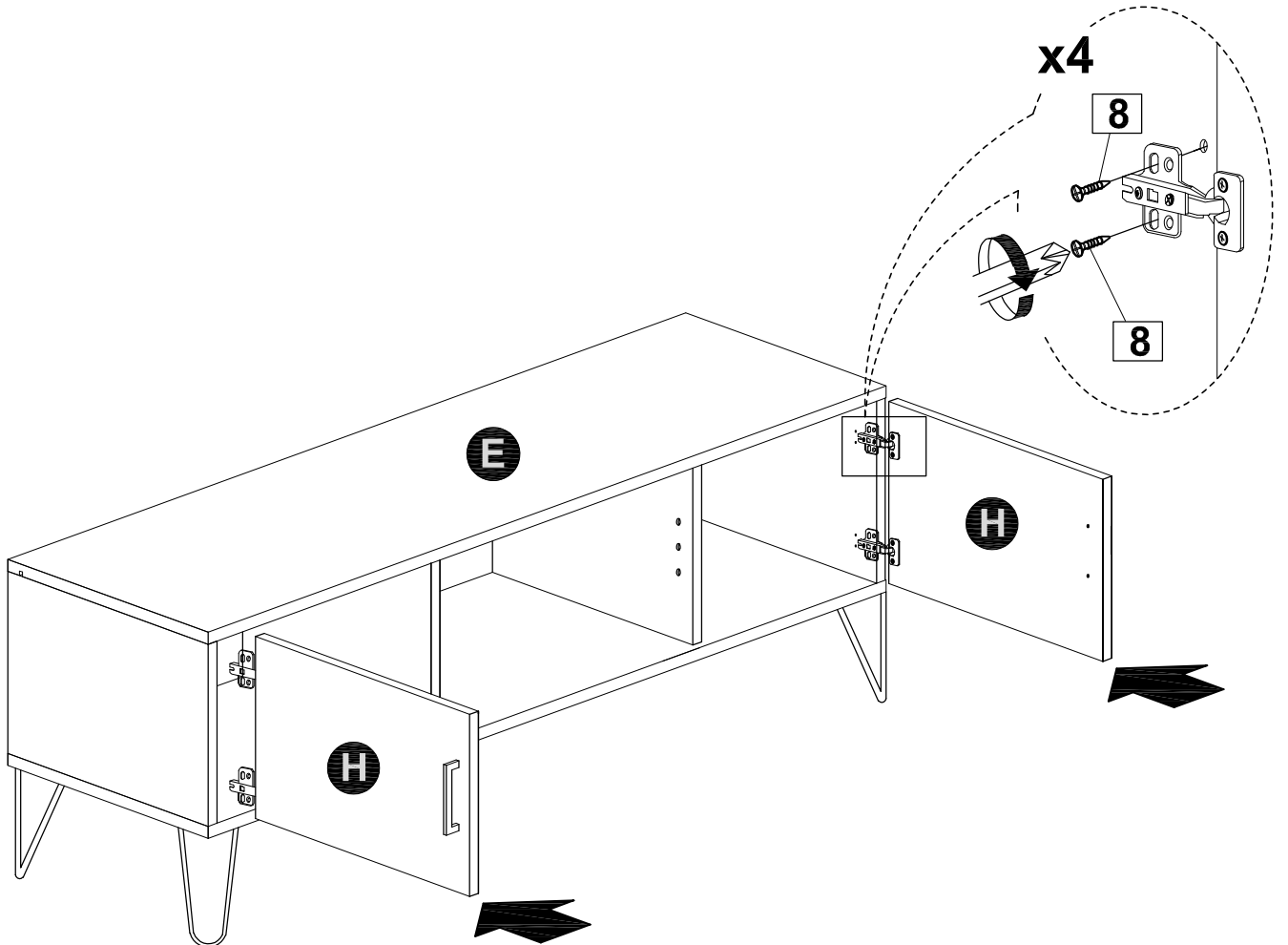
Hinges Adjustment



A. Turn front screw to adjust door overlay (sideway).

B. Rotate cam screw on mounting plate to adjust door height.

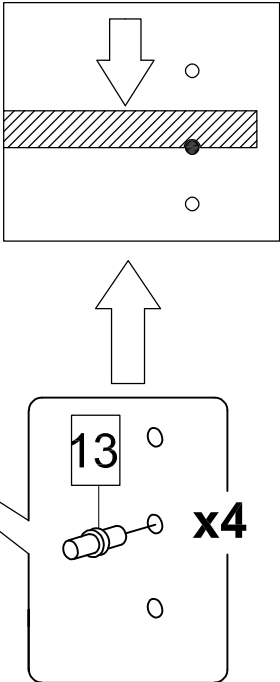
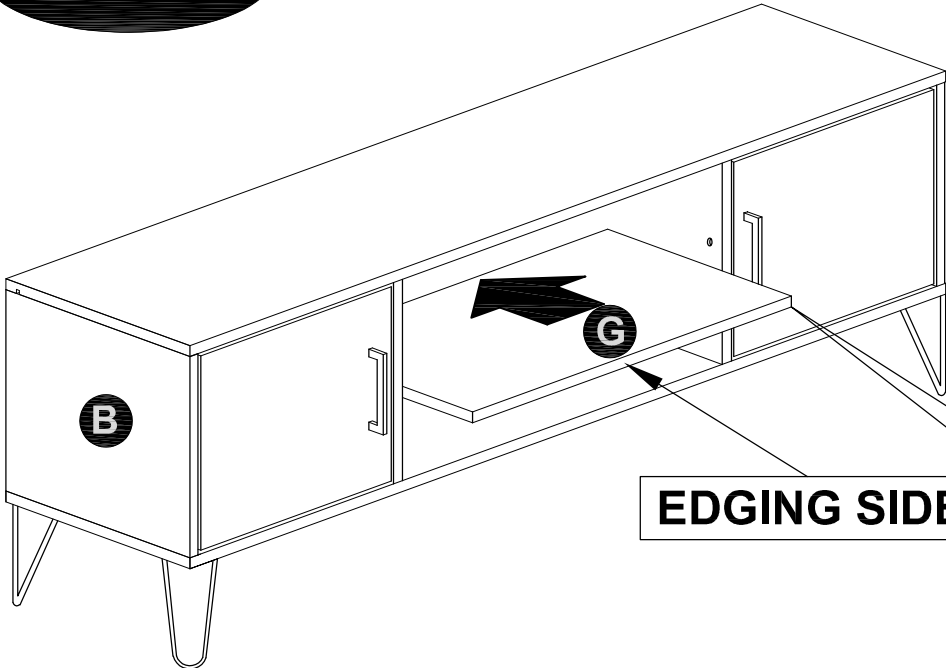
C. Turn rear screw for door depth adjustment.



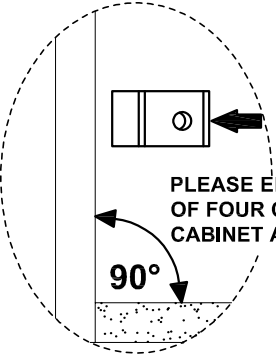
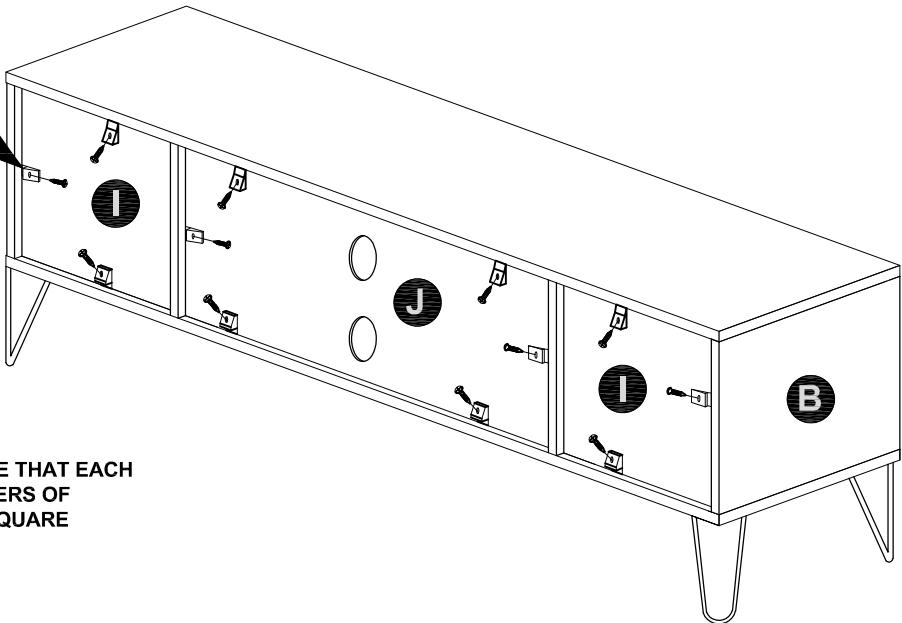
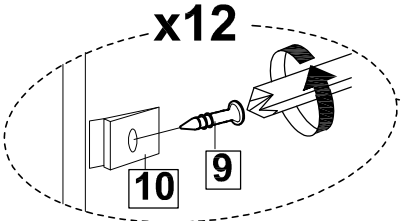
MODEL NAME:

ET 3215-00

STEP 12



STEP 13



MODEL NAME:

ET 3215-00

STEP 14

