

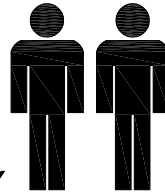
MODEL NAME:

DV 8889-00

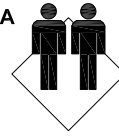
1.0hr

APPROXIMATE ASSEMBLY TIME

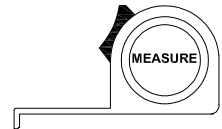
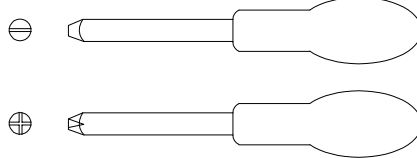
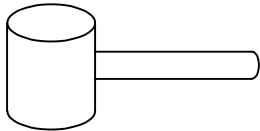
2 PERSON OF ASSEMBLY



**FLOOR AREA
2.0M X 1.5M**

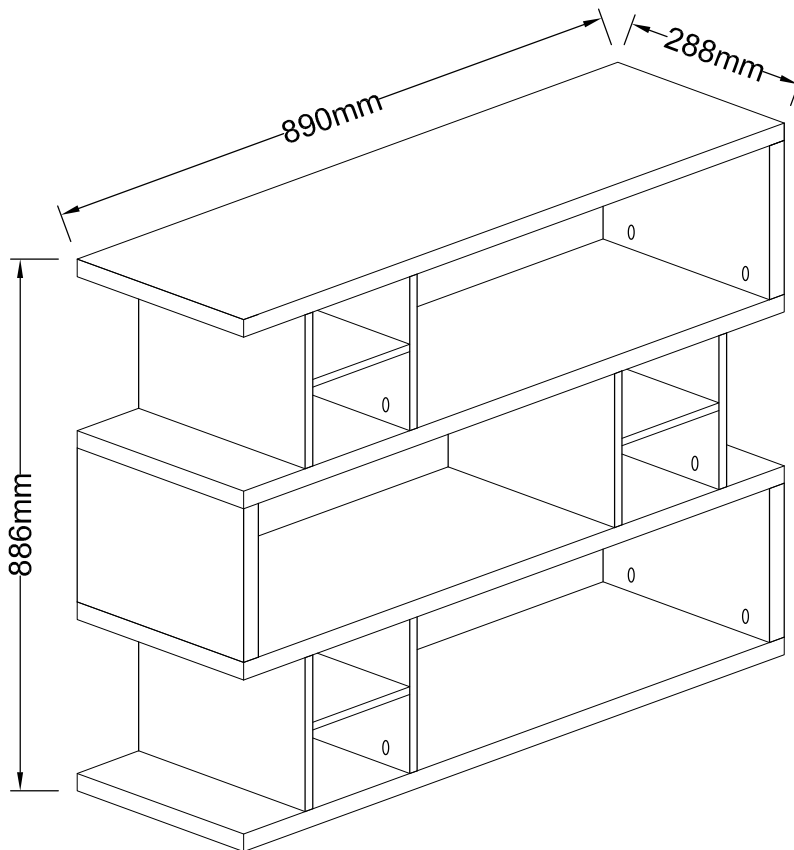


REQUIRED ASSEMBLY SPACE



REQUIRED ASSEMBLY TOOLS

ASSEMBLED DIMENSIONS



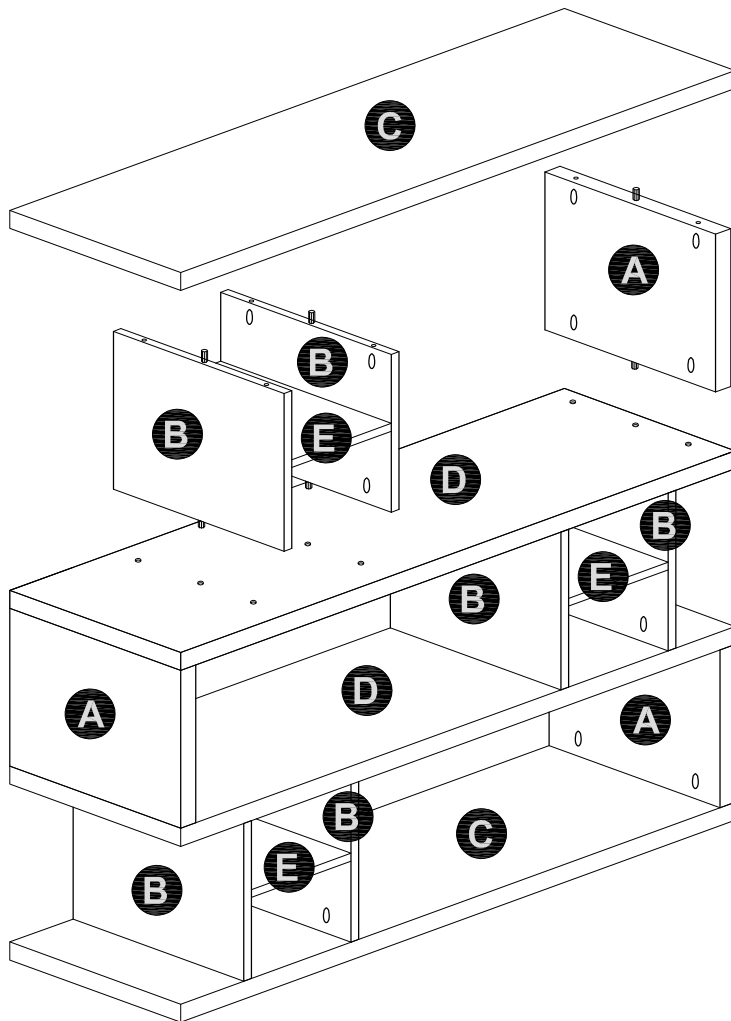
NOTE : THE MAXIMUM WEIGHT THIS PRODUCT CAN HOLD UP TO 25 KGS.

MODEL NAME:

DV 8889-00

NO.	PART LIST	QTY
(A)	SIDE PANEL (A)	3
(B)	SIDE PANEL (B)	6
(C)	PANEL(A)	2
(D)	PANEL(B)	2
(E)	PANEL(C)	3

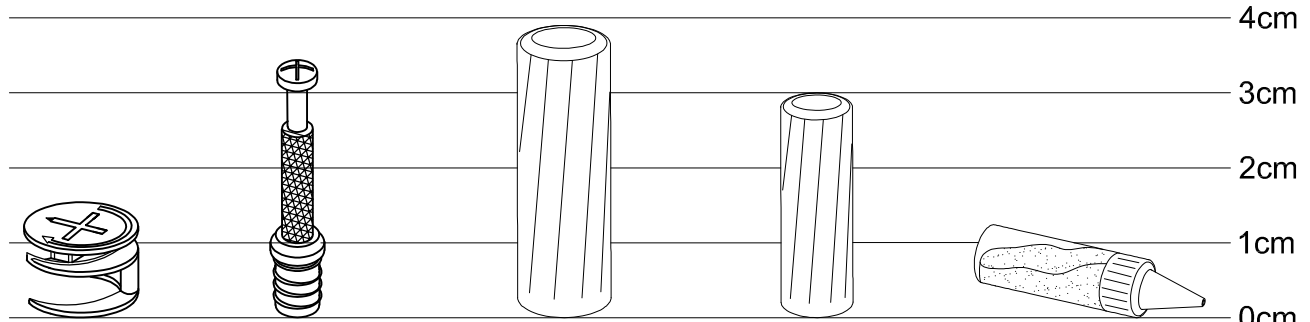
PARTS LIST




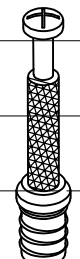
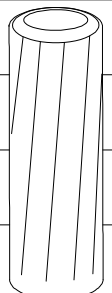
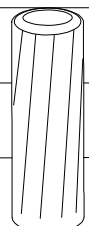
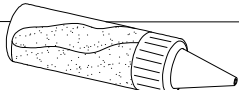
MODEL NAME:

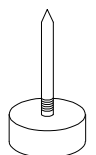
DV 8889-00

HARDWARE LIST



A vertical scale on the right side of the hardware list, ranging from 0cm at the bottom to 4cm at the top, with horizontal lines at 1cm intervals. The hardware items are positioned relative to this scale: Item 1 (Large Camlock) is between 0cm and 1cm; Item 2 (Quickfit) is between 1cm and 2cm; Item 3 (Wood Dowel) is between 2cm and 3cm; Item 4 (Wood Dowel) is between 2cm and 3cm; Item 5 (Glue) is between 1cm and 2cm.

				
48X Dia.15mm	48X M6.5	6X Dia.10 x 40mm	18X Dia.6 x 30mm	2X
1	2	3	4	5
LARGE CAMLOCK	QUICKFIT	WOOD DOWEL	WOOD DOWEL	GLUE 10CC



6X

6
LEG
COVER



36X
Dia 27mm

7
STICKER COVER



2X

8
ANTI TIP STRAP

MODEL NAME:

DV 8889-00

Top Tips before you start!

1. Please check that all parts are present before you start the assembly of your furniture, as once assembled, the furniture is exempt from our home approval policy.
2. For ease and speed of assembly, we recommend that before you commence each step of the assembly, that you identify all the parts required for that step.
3. For larger items, please ensure that you have sufficient space and people (as indicated on page 1) to assemble your product safely
4. We recommend that, where possible, all items are assembled near to the area in which they will be placed in use, to avoid moving the product unnecessarily once assembled.
5. For the protection of your furniture, particularly items of high gloss finish, we recommend that the product is placed on a protected surface during assembly to prevent any damage.
6. During assembly please take care not to over-tighten any fittings, as this may damage the product.
7. Always place the product on a flat, steady and stable surface.
8. Do not sit or stand on the product.
Do not use the product as a stepladder.
9. This product is intended for indoor, household use only as it is non industrial product.
10. This product is constructed from re-inforced hollow board. Excessive pressure cause irreparable damage. Please do not kneel on any part of this product during assembly.

Care and Maintenance of your Furniture

- Please periodically check all fittings are re-tighten as necessary.
- To clean your item, please use a damp cloth and wipe clean.
- Never allow any kind of liquid to remain on your furniture. Absorption can cause wood to warp or finishes to de-laminate.
- Please do not place hot items (e.g. hot drinks) directly on to the wood surface.
- Please do not drag and pull your furniture.

MODEL NAME:

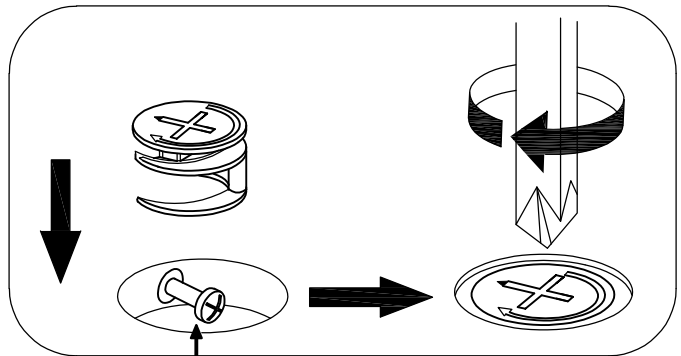
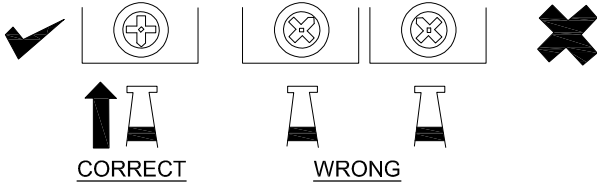
DV 8889-00

SPECIAL TIPS FOR FITTING CAM-LOCKS AND QUICKFIT

CAM-LOCK



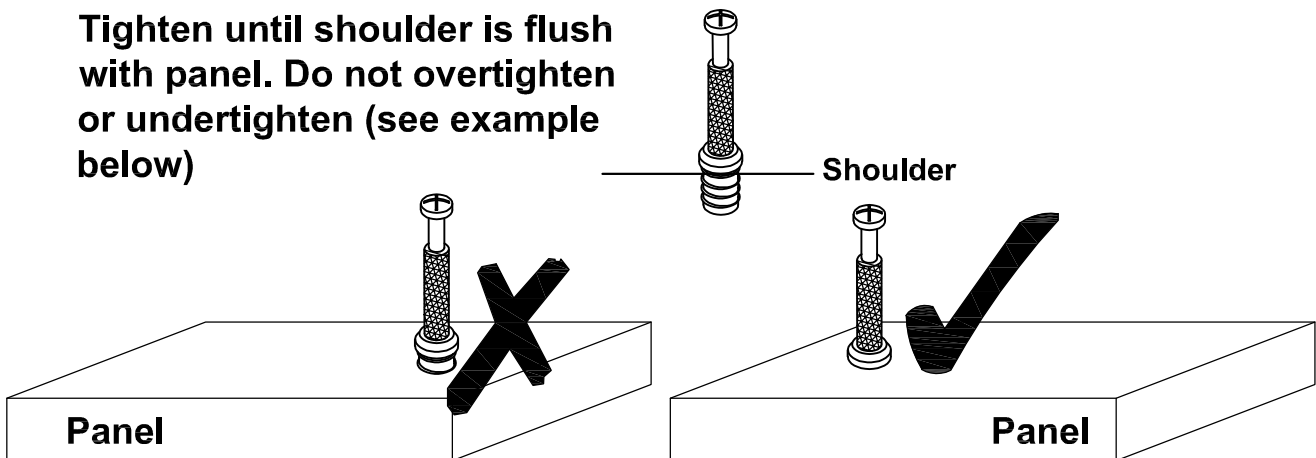
WHEN FITTING CAMLOCK
ENSURE STARTING POSITION IS CORRECT
BEFORE YOU INSERT CONNECTING QUICKFIT
TURN CLOCKWISE UNTIL SECURE



Quickfit head needs to be in centre

CAM BOLT

Tighten until shoulder is flush with panel. Do not overtighten or undertighten (see example below)

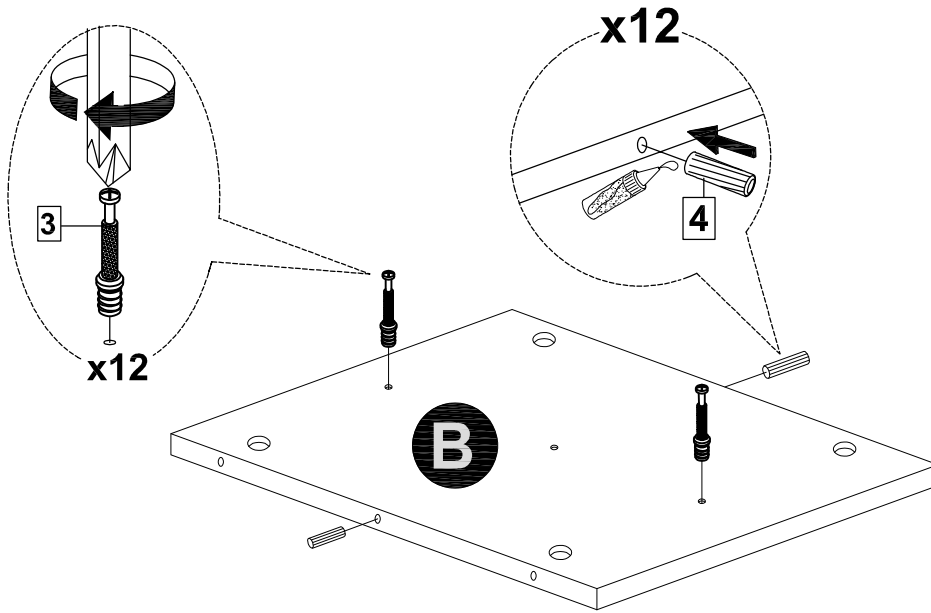


MODEL NAME:

DV 8889-00

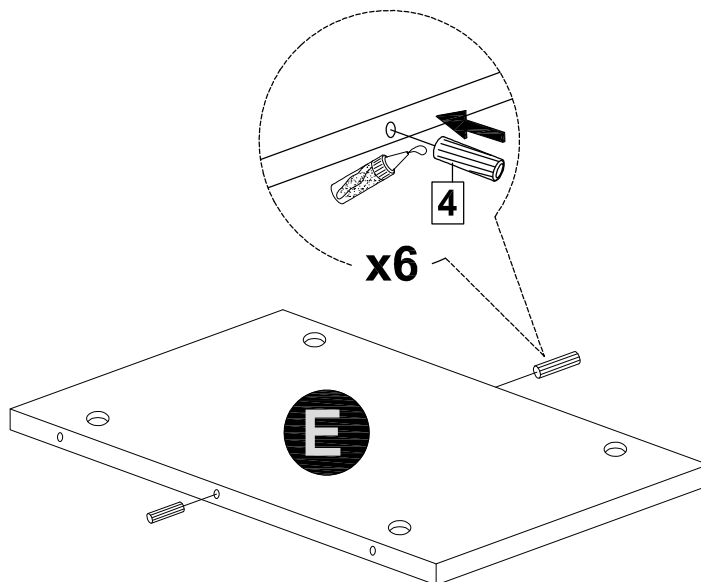
STEP 1

(x6)



STEP 2

(x3)

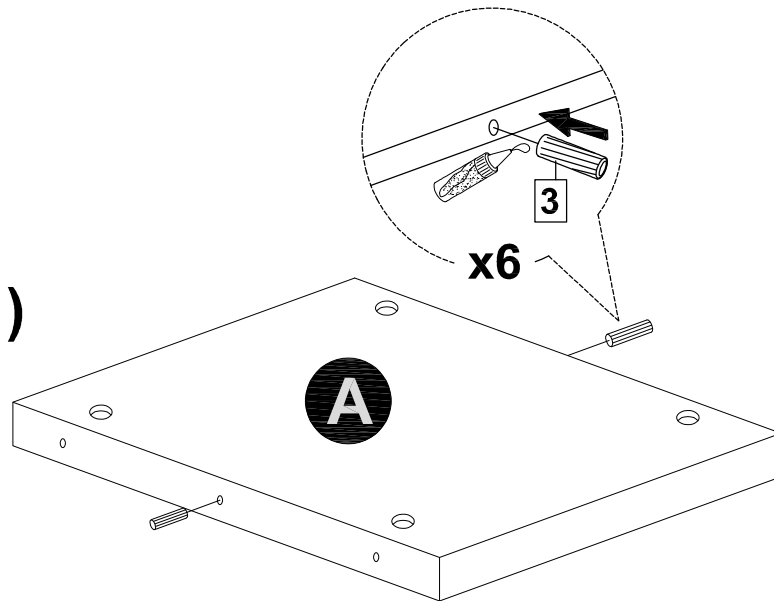


MODEL NAME:

DV 8889-00

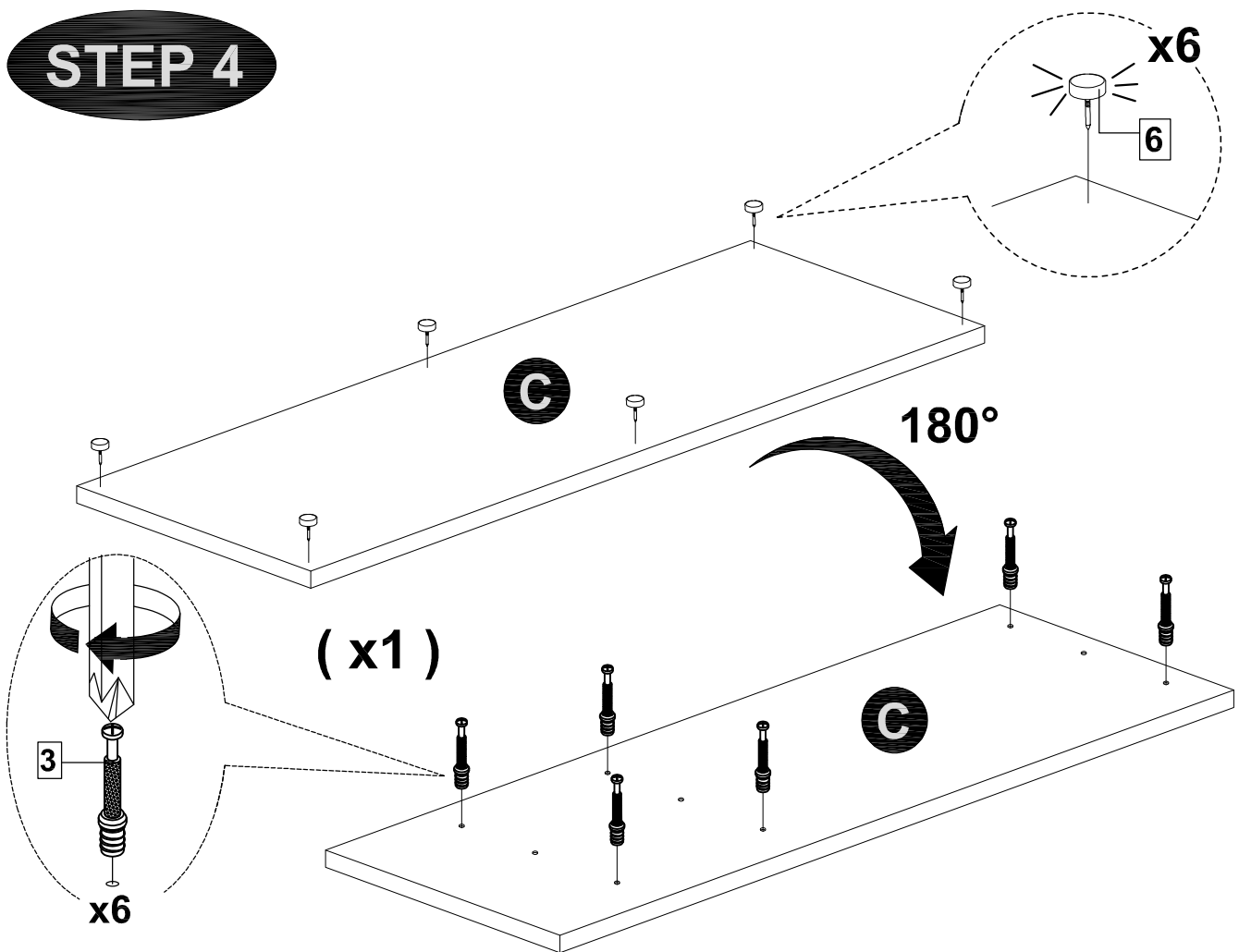
STEP 3

(x3)



STEP 4

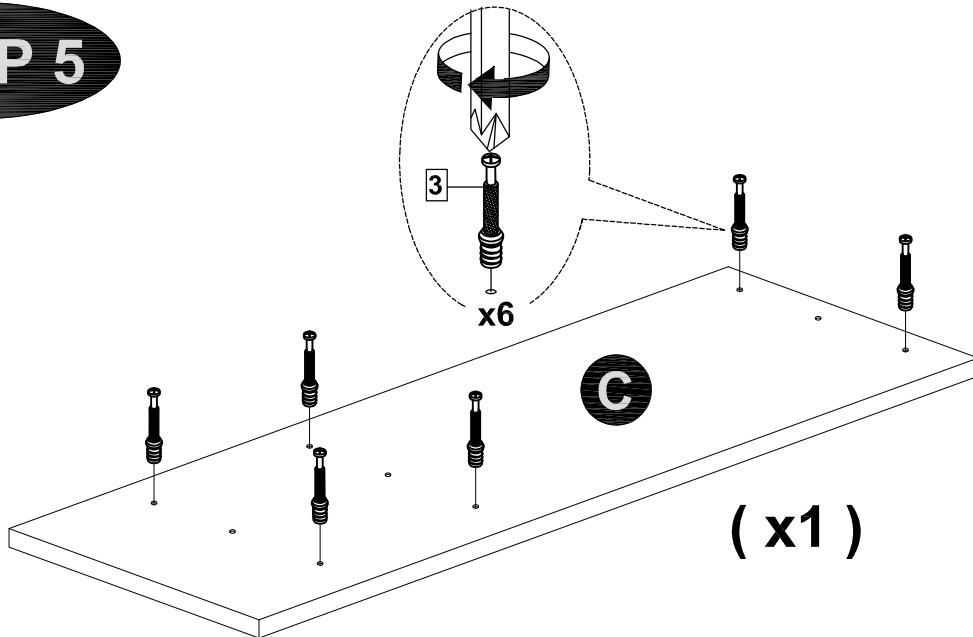
(x1)



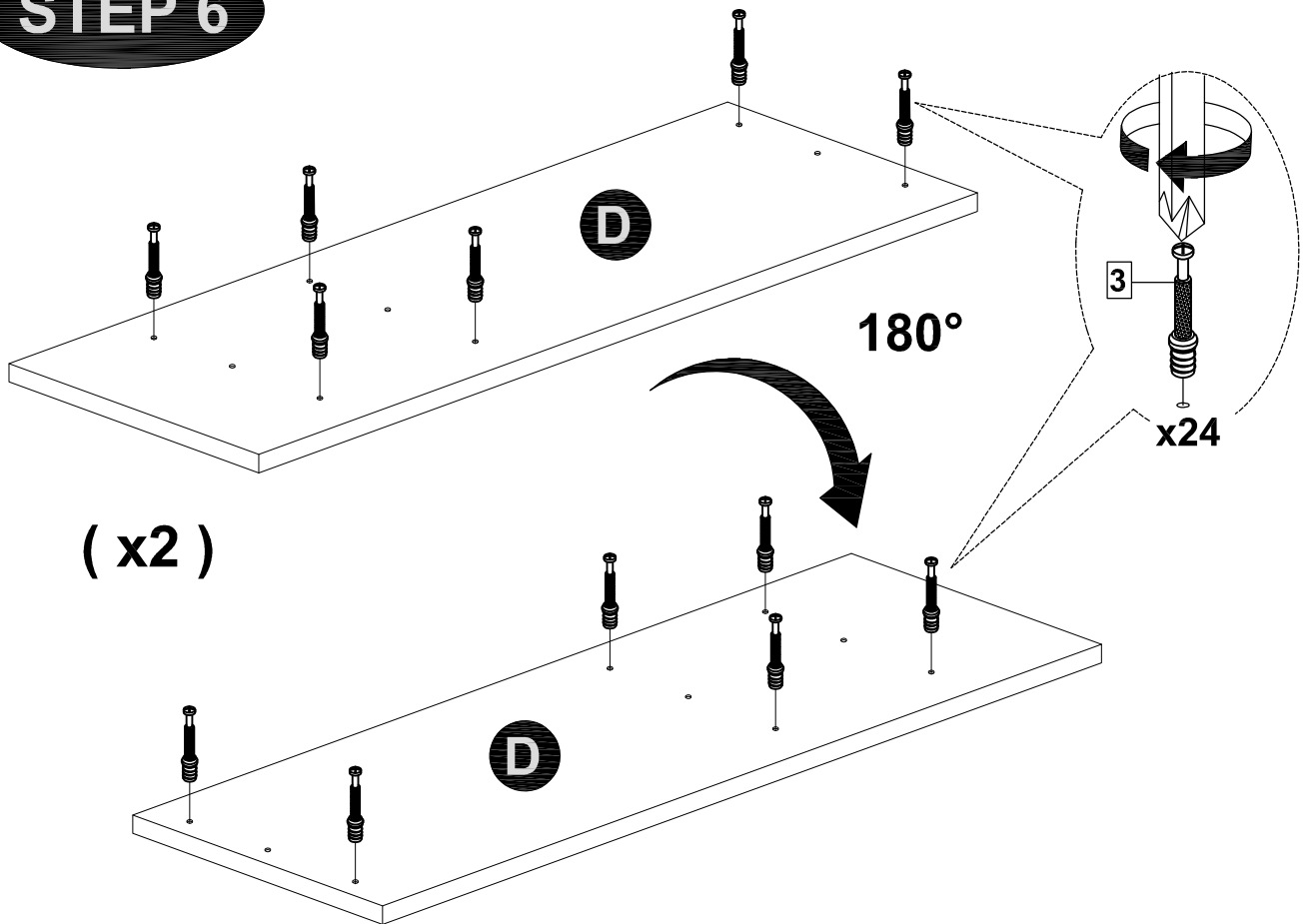
MODEL NAME:

DV 8889-00

STEP 5



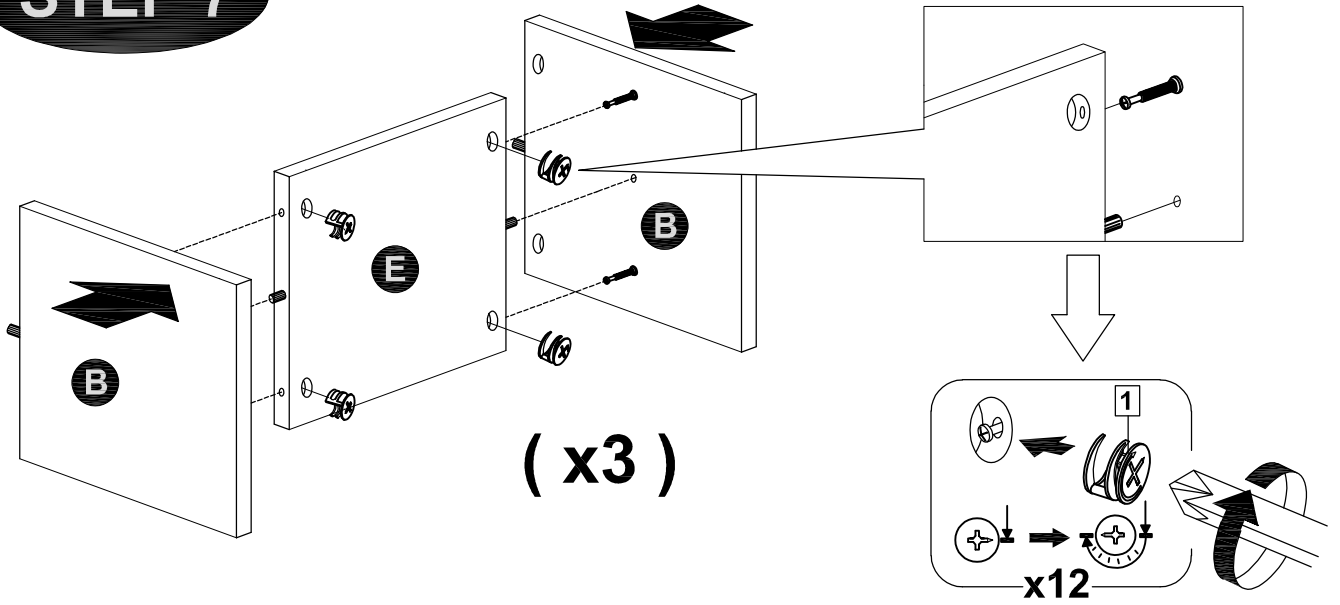
STEP 6



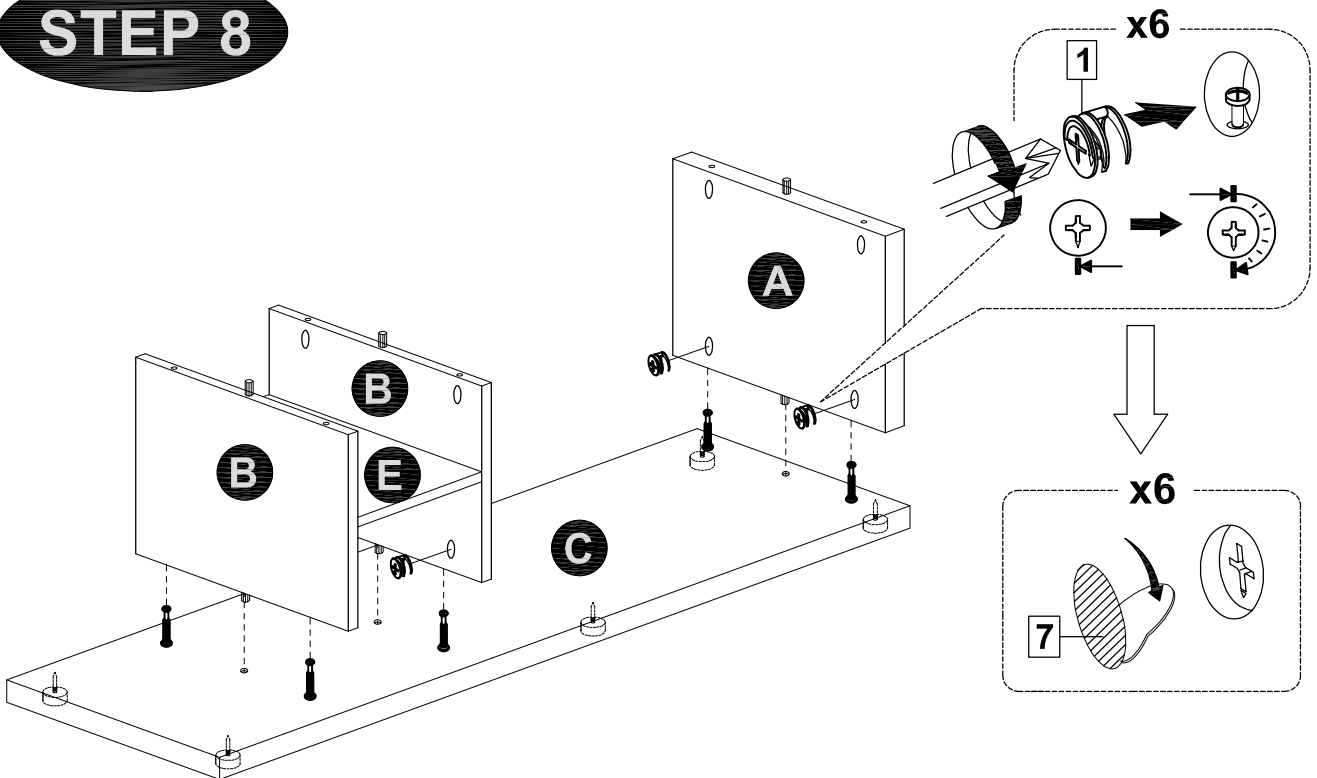
MODEL NAME:

DV 8889-00

STEP 7



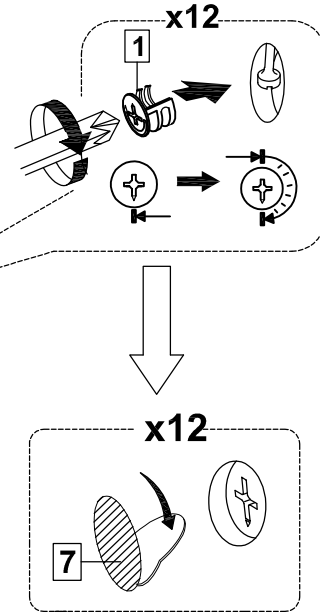
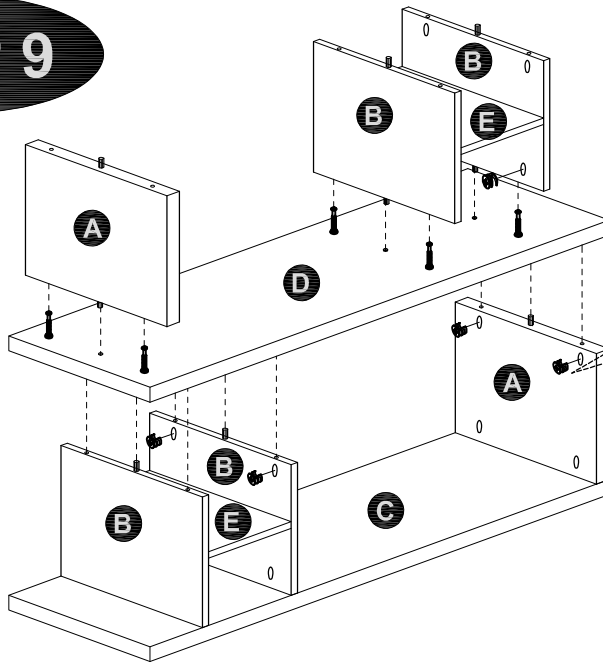
STEP 8



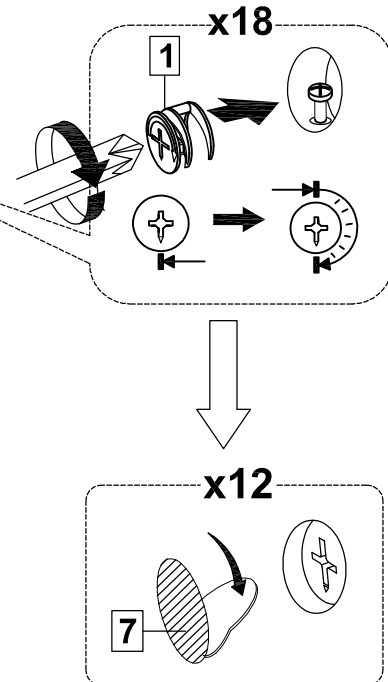
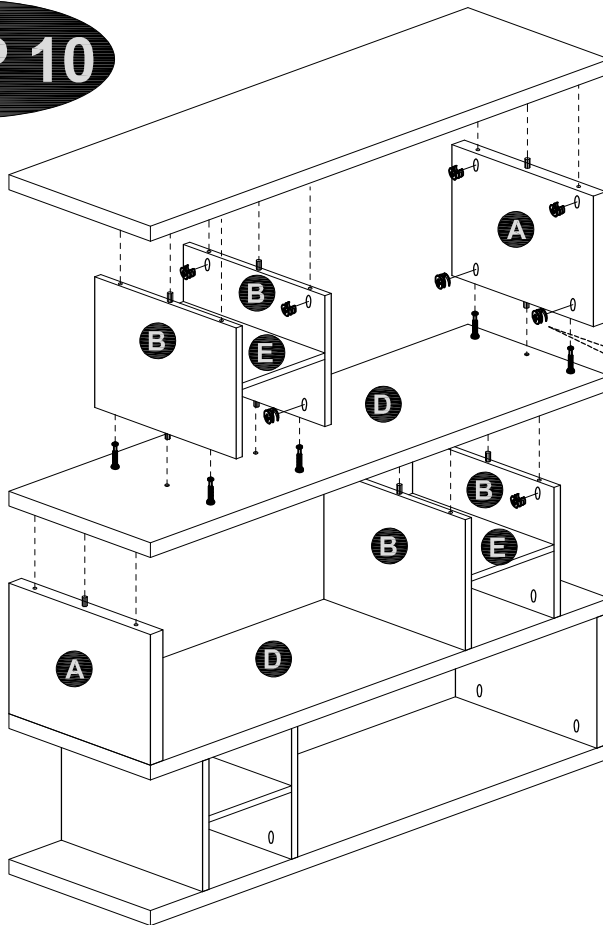
MODEL NAME:

DV 8889-00

STEP 9



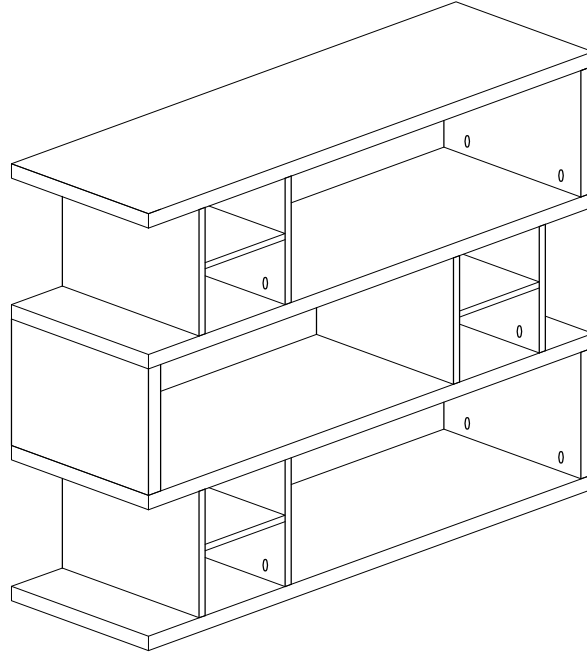
STEP 10



MODEL NAME:

DV 8889-00

STEP 11



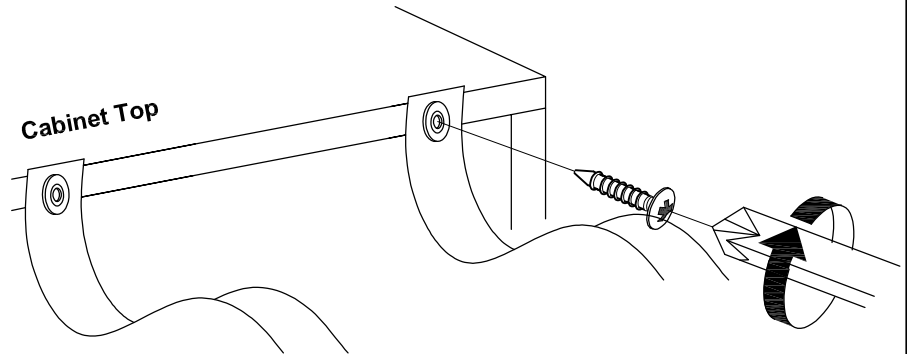
MODEL NAME :

It is recommended that you fit the anti-tip bracket to this item to avoid tipping and causing injury.

FITTING OF ANTI-TIP BRACKET

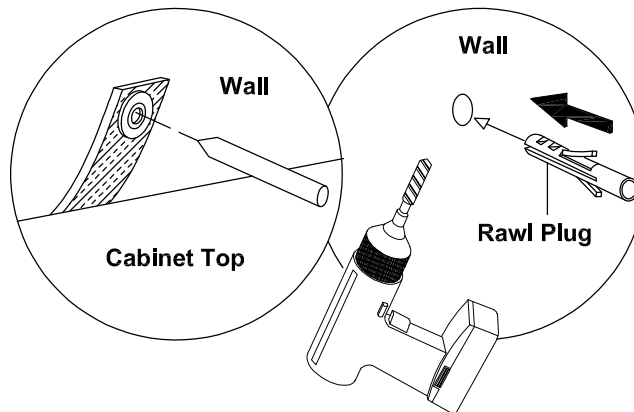
STEP 1 :

Insert screws through bracket into pre-drilled holes in cabinet.



STEP 2 :

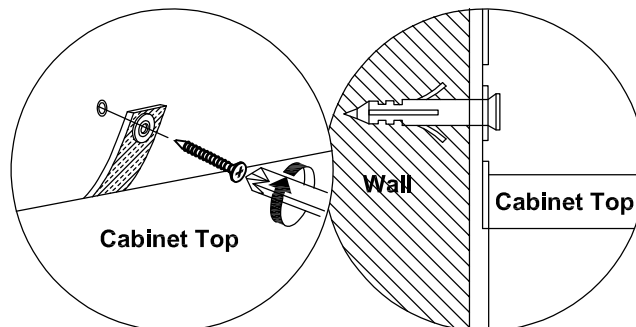
Make a mark on the wall through the bracket.



Drill a hole in the wall and insert the rawl plug.

STEP 3 :

Insert screw through bracket into hole in wall



NOTE : Wall fixings are not supplied with this product as different wall materials require different types of fixing devices (such as Rawl plugs on brick work). You must use fixing devices suitable for the type of wall you intend to mount this product to. Please ensure that the head of any screw used as a diameter greater than the diameter of the mounting hole on the bracket and that the fixing is safe and secure before use.
The screw supplied is to fix the anti-tip strap to the cabinet.

HARDWARE LIST



Anti-Tip Strap - 2pcs



M3.5 x 16MM - 2pcs