

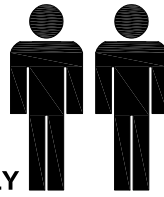
**MODEL NAME:**

**CA 5790-00**

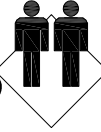
**90min**

**APPROXIMATE ASSEMBLY TIME**

**2 PEOPLE FOR ASSEMBLY**

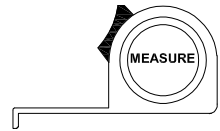
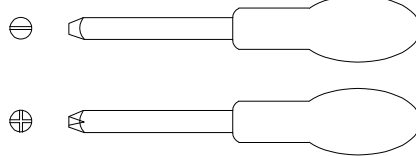
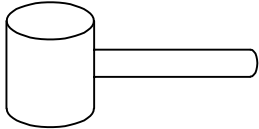


**FLOOR AREA**  
2.2M X 2.0M  
(FLAT BUILD)



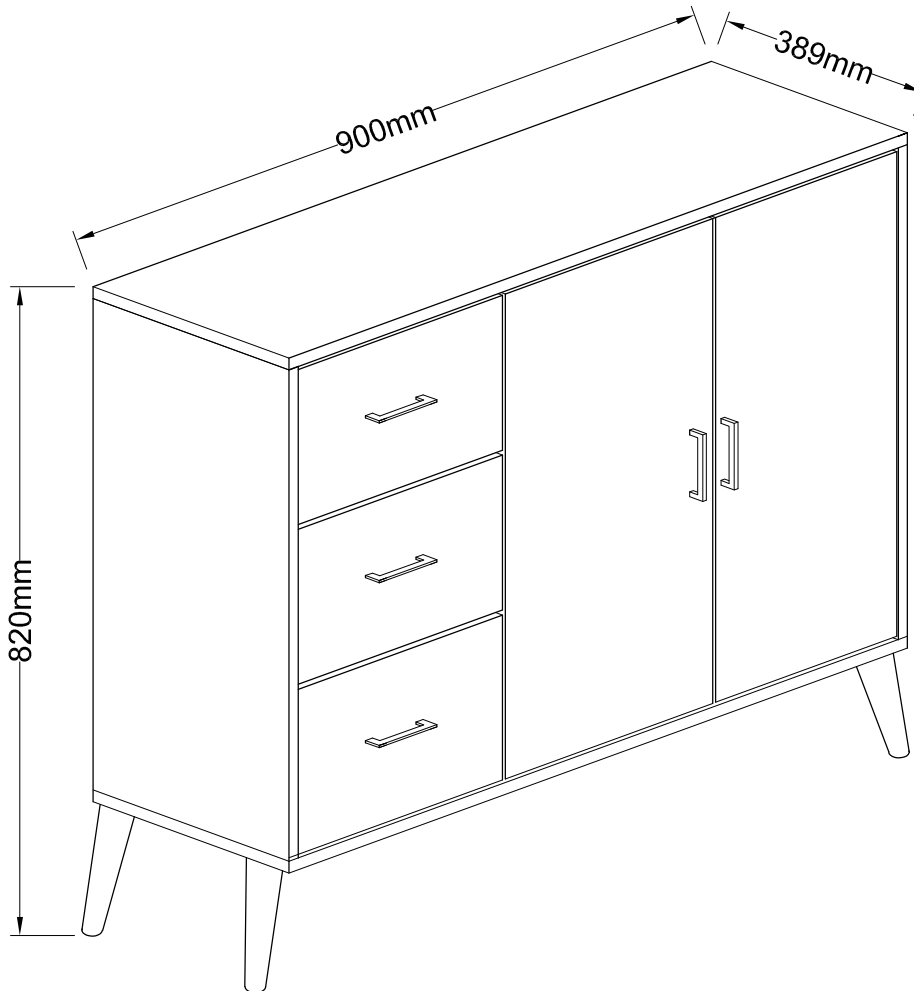
**CEILING HEIGHT**  
2.2M

**REQUIRED ASSEMBLY SPACE**



**REQUIRED ASSEMBLY TOOLS**

**ASSEMBLED DIMENSIONS**



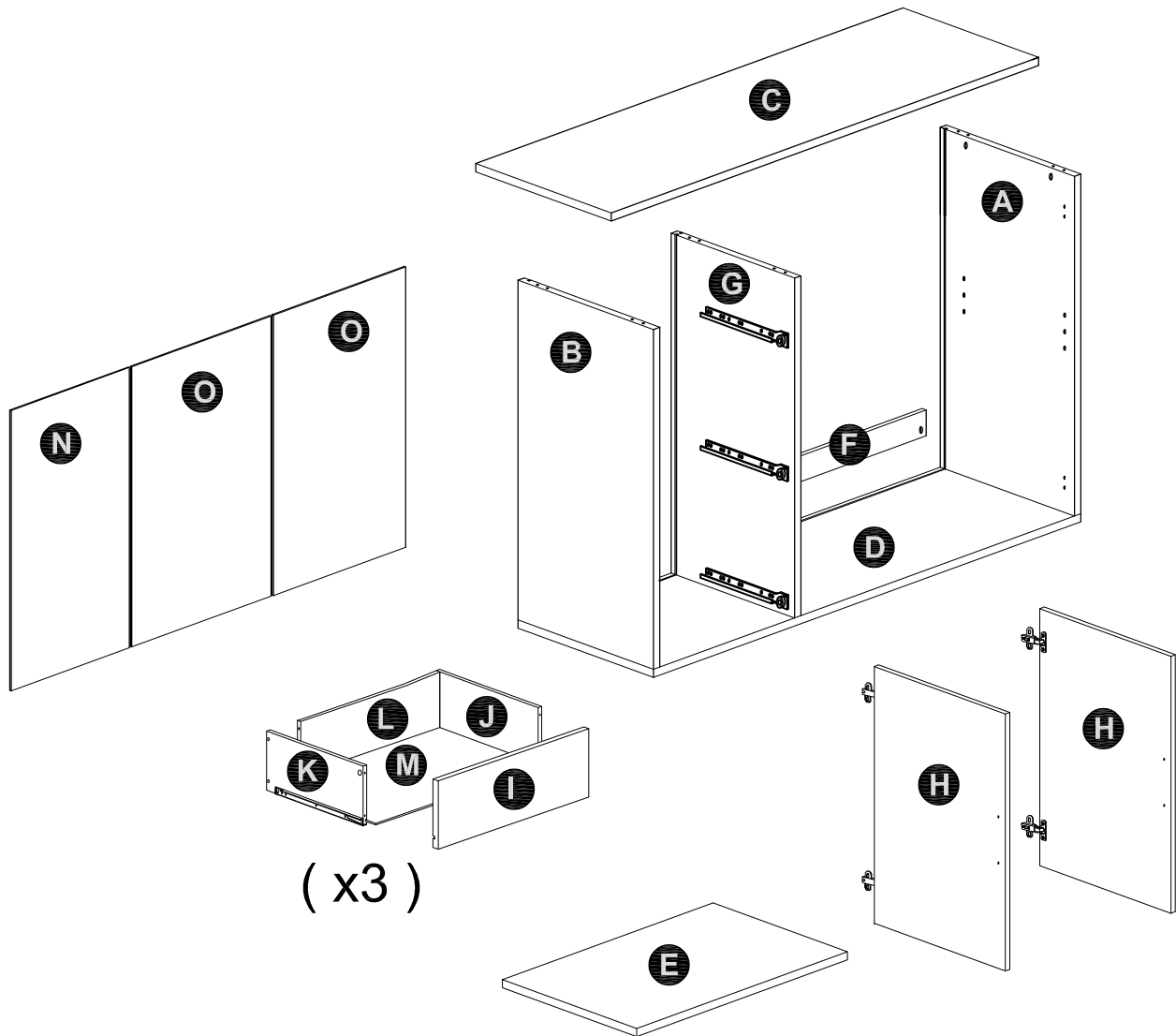
**NOTE : THE MAXIMUM WEIGHT THIS PRODUCT CAN HOLD UP TO IS 25 KGS.**

**MODEL NAME:**

**CA 5790-00**

NO.	PART LIST	QTY	NO.	PART LIST	QTY
(A)	RIGHT SIDE PANEL	1	(I)	DRAWER FRONT	3
(B)	LEFT SIDE PANEL	1	(J)	DRAWER SIDE (RIGHT)	3
(C)	TOP PANEL	1	(K)	DRAWER SIDE (LEFT)	3
(D)	BOTTOM PANEL	1	(L)	DRAWER BACK PANEL	3
(E)	ADJUSTABLE PANEL	1	(M)	DRAWER BASE	3
(F)	BACK SUPPORT	1	(N)	BACK PANEL-A	1
(G)	CENTRE PANEL	1	(O)	BACK PANEL-B	2
(H)	DOOR PANEL	2			

**PARTS LIST**



( x3 )

MODEL NAME:

CA 5790-00

HARDWARE LIST

4cm  
3cm  
2cm  
1cm  
0cm

 <b>10X</b> M3.6 x 22mm <b>1</b> FLAT HEAD SCREW	 <b>12X</b> M3.5 x 25mm <b>2</b> FLAT HEAD SCREW	 <b>6X</b> Dia.15mm <b>3</b> LARGE CAM-LOCK	 <b>14X</b> M6.5 <b>4</b> CAM BOLT	 <b>20X</b> Dia.6 x 30mm <b>5</b> WOOD DOWEL	 <b>9X</b> M8 x 38mm <b>6</b> FLAT HEAD SCREW
 <b>8X</b> Dia.15mm <b>7</b> SMALL CAM-LOCK	 <b>16X</b> M4 x 16mm <b>8</b> FLAT HEAD SCREW (HINGES)	 <b>10X</b> <b>9</b> BACKPLY STOPPER	 <b>10X</b> M3 x 20mm <b>10</b> FLAT HEAD SCREW	 <b>1X</b> M5 <b>11</b> ALLEN KEY	 <b>20X</b> M4 x 16mm <b>12</b> FLAT HEAD SCREW
 <b>5X</b> <b>13</b> HANDLE	 <b>1X</b> <b>14</b> GLUE 10CC	 <b>4X</b> M8 x 35mm <b>15</b> ALLEN HEAD BOLT	 <b>4X</b> <b>16</b> ADJUSTABLE HINGE	 <b>4X</b> <b>17</b> LEG BRACKET	
 <b>1X</b> <b>18</b> PVC H (542mm)	 <b>4X</b> Dia.5 x 16mm <b>19</b> SHELVE STUB	 <b>4X</b> Dia.45/27- 240mm <b>20</b> LEG	 <b>2X</b> <b>21</b> ANTI TIP STRAP		

3cm  
2cm  
1cm  
0cm

**MODEL NAME:**

**CA 5790-00**

### **Top Tips before you start!**

1. Please check that all parts are present before you start the assembly of your furniture.
2. For ease and speed of assembly, we recommend that before you commence each step of the assembly, that you identify all the parts required for that step.
3. For larger items, please ensure that you have sufficient space and people ( as indicated on page 1 ) to assemble your product safely
4. We recommend that, where possible, all items are assembled near to the area in which they will be placed in use, to avoid moving the product unnecessarily once assembled.
5. For the protection of your furniture, particularly items of high gloss finish, we recommend that the product is placed on a protected surface during assembly to prevent any damage.
6. Caution - Electric / Battery operated screw driver NOT RECOMMENDED.
7. During assembly please take care not to over-tighten any fittings, as this may damage the product.
8. Always place the product on a flat, steady and stable surface.
9. Do not sit or stand on the product.  
Do not use the product as a stepladder.
10. This product is intended for indoor, household use only as it is non industrial product.
11. This product is constructed from re-inforced hollow board. Excessive pressure cause irreparable damage. Please do not kneel on any part of this product during assembly.

### **Care and Maintenance of your Furniture**

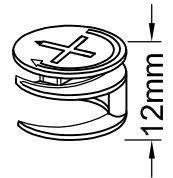
- Please periodically check all fittings and re-tighten as necessary.
- To clean your item, please use a damp cloth and wipe clean.
- Never allow any kind of liquid to remain on your furniture.
- Please do not place hot items (e.g. hot drinks ) directly on to the wood surface.
- Please do not drag and pull your furniture.

MODEL NAME:

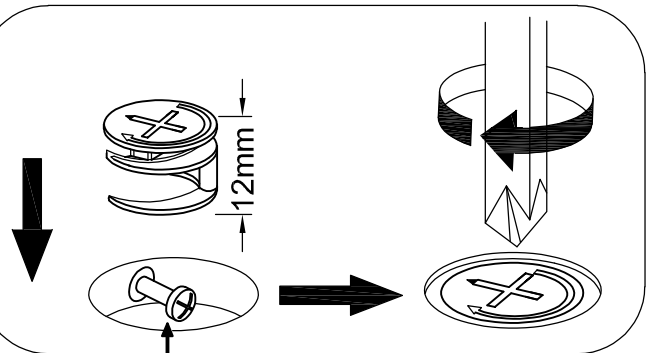
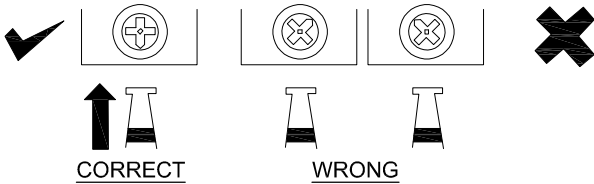
CA 5790-00

## SPECIAL TIPS FOR FITTING CAM-LOCKS AND QUICKFIT

LARGE CAM-LOCK

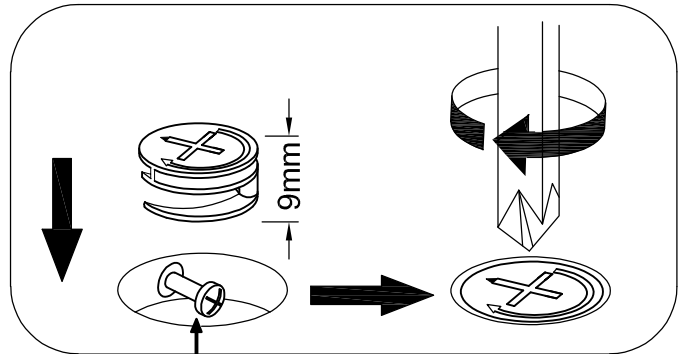
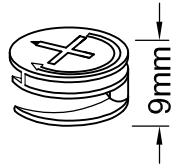


WHEN FITTING CAMLOCK  
ENSURE STARTING POSITION IS CORRECT  
BEFORE YOU INSERT CONNECTING QUICKFIT  
TURN CLOCKWISE UNTIL SECURE



Quickfit head needs to be in centre

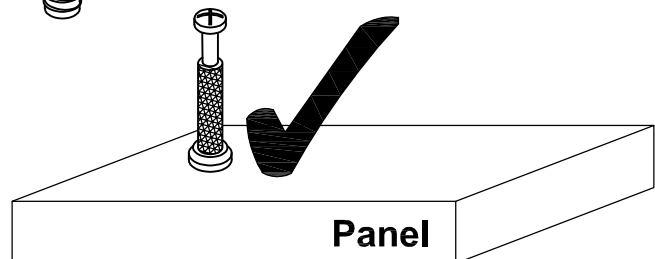
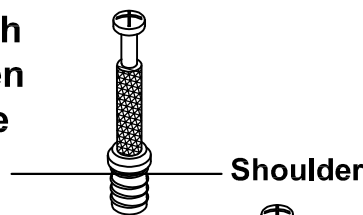
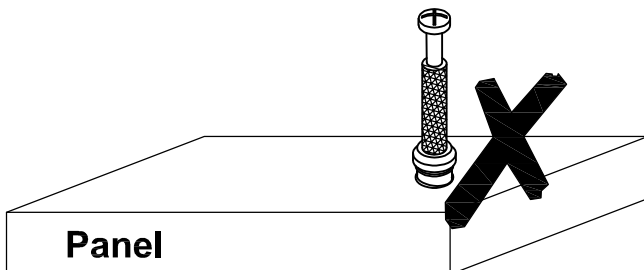
SMALL CAM-LOCK



Quickfit head needs to be in centre

CAM BOLT

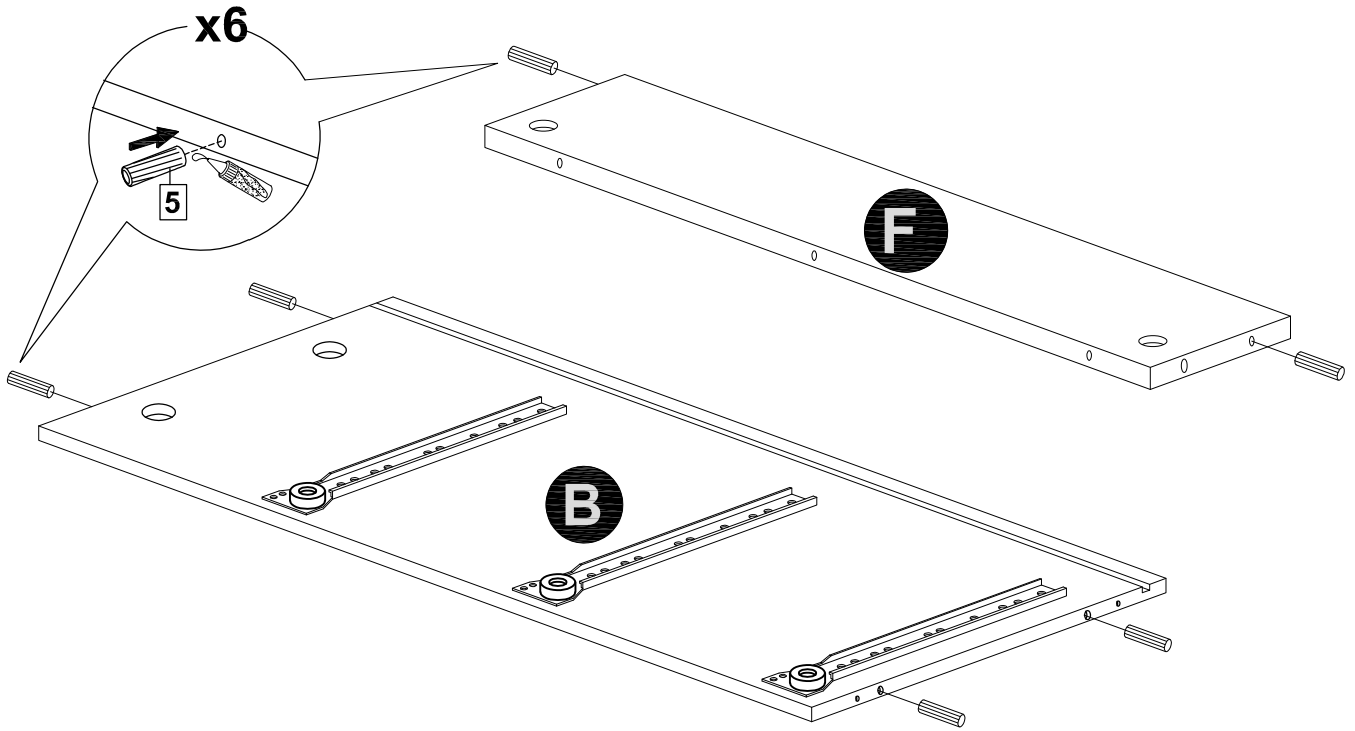
Tighten until shoulder is flush with panel. Do not overtighten or undertighten (see example below)



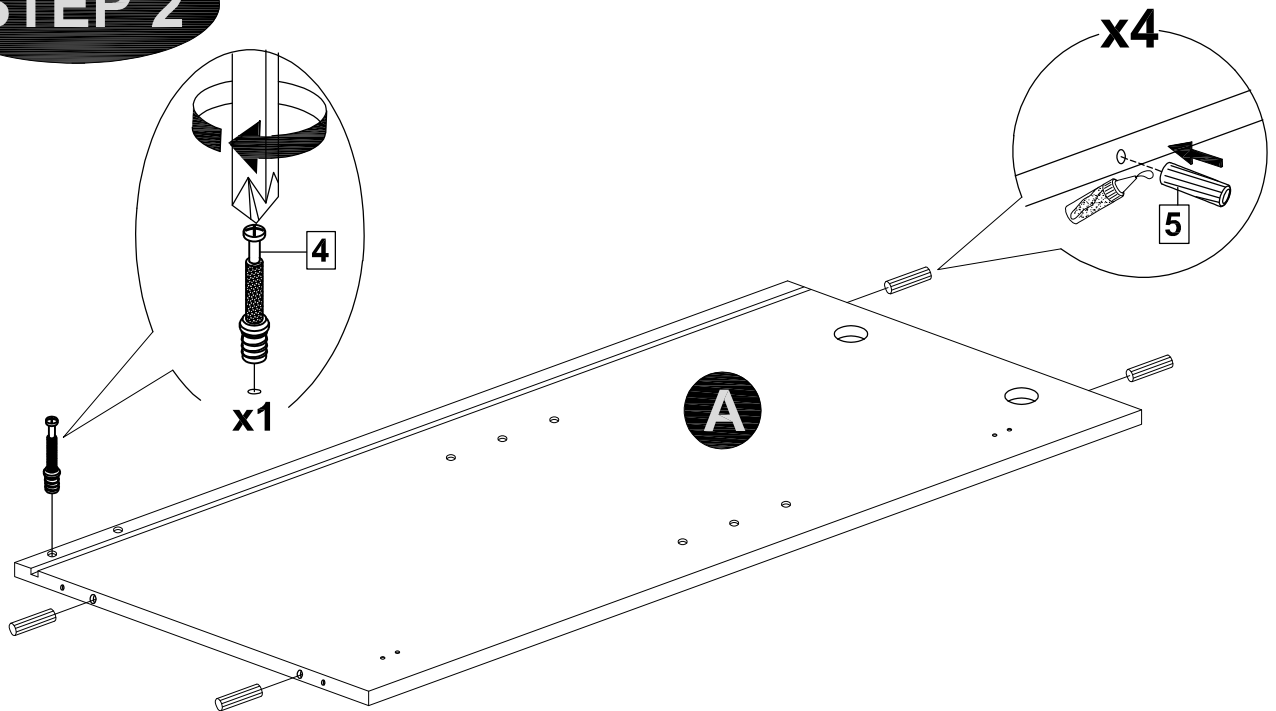
MODEL NAME:

CA 5790-00

**STEP 1**



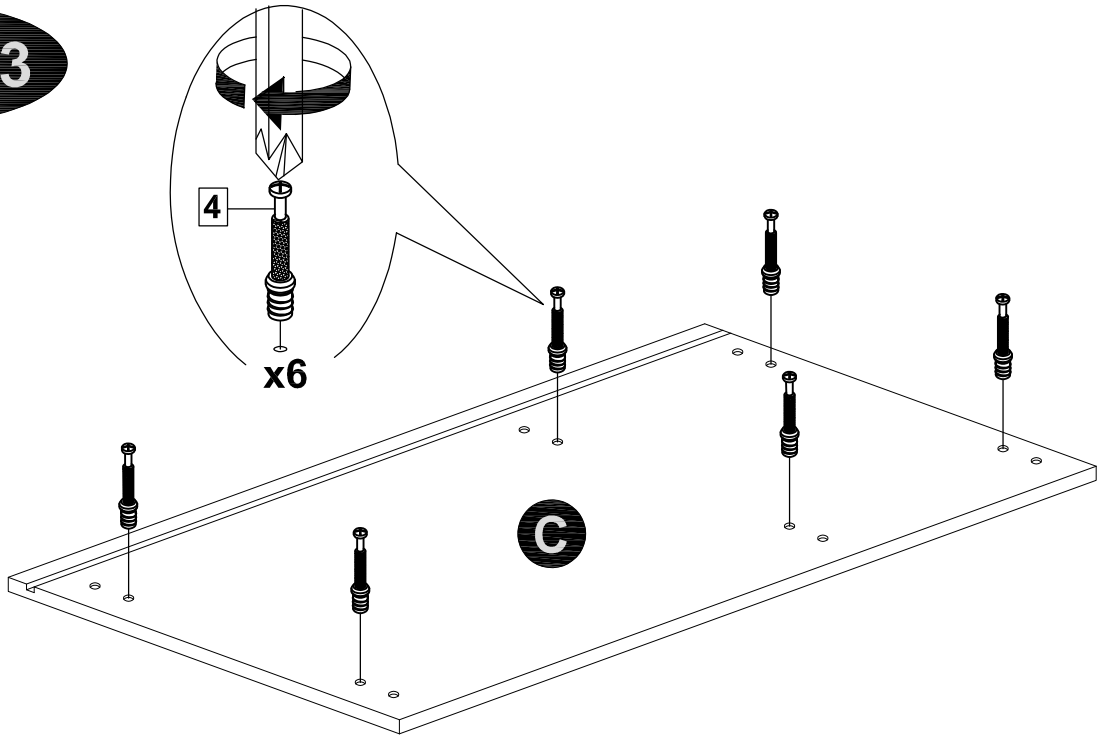
**STEP 2**



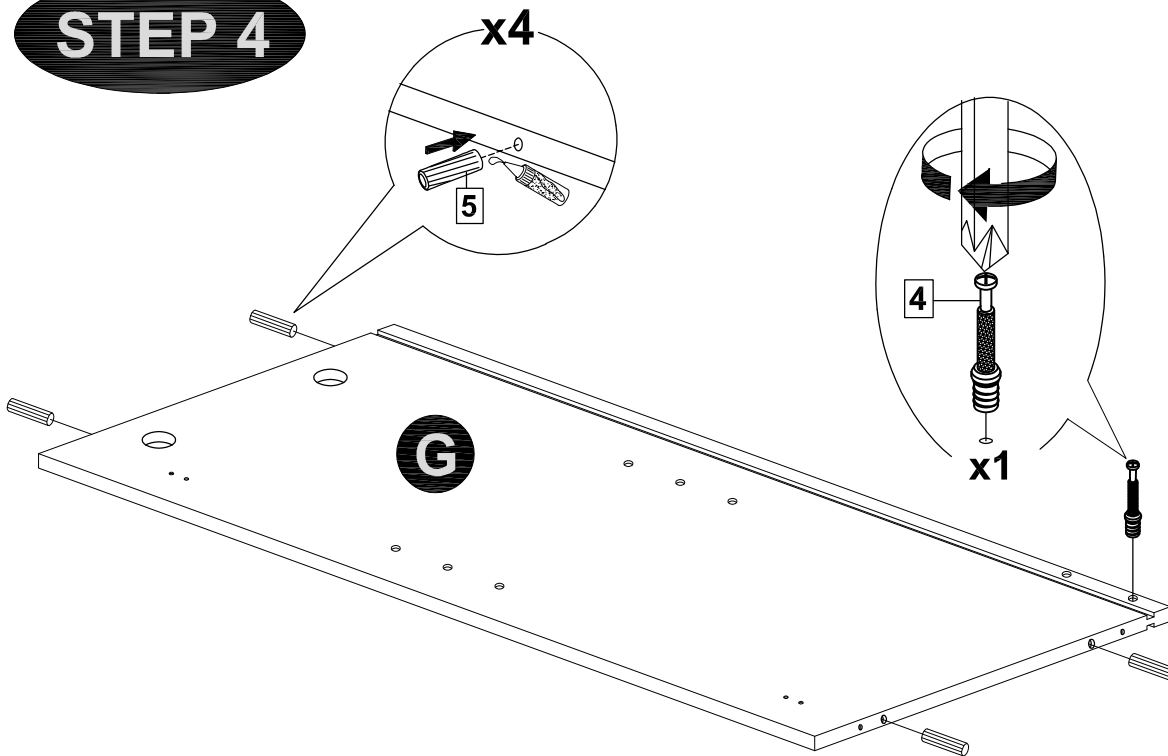
MODEL NAME:

CA 5790-00

**STEP 3**



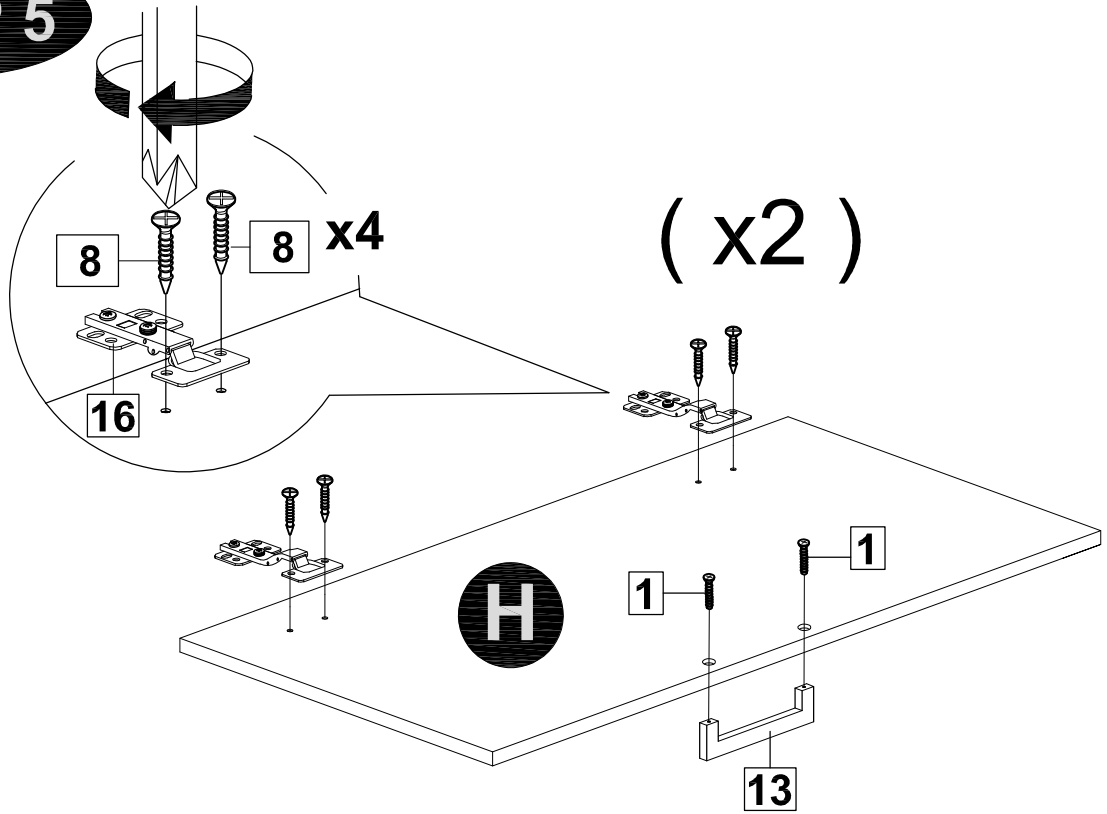
**STEP 4**



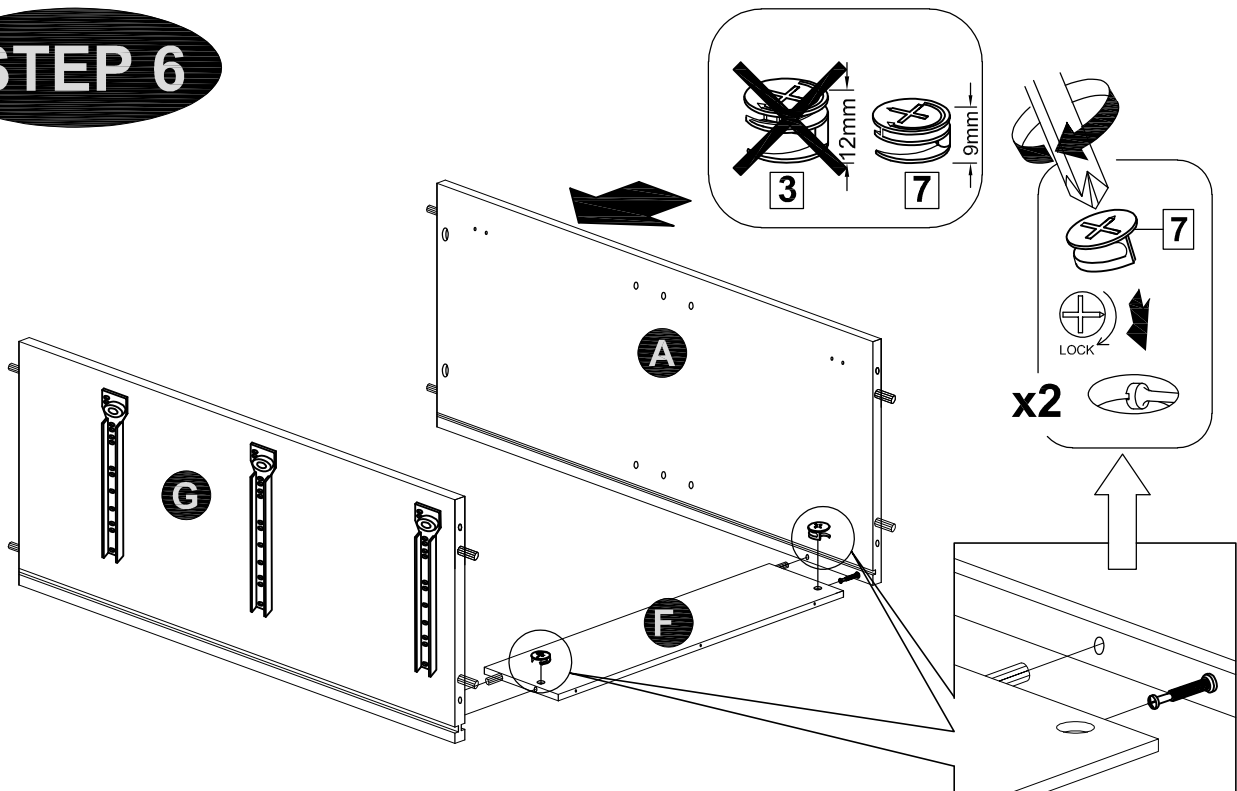
MODEL NAME:

CA 5790-00

**STEP 5**



**STEP 6**

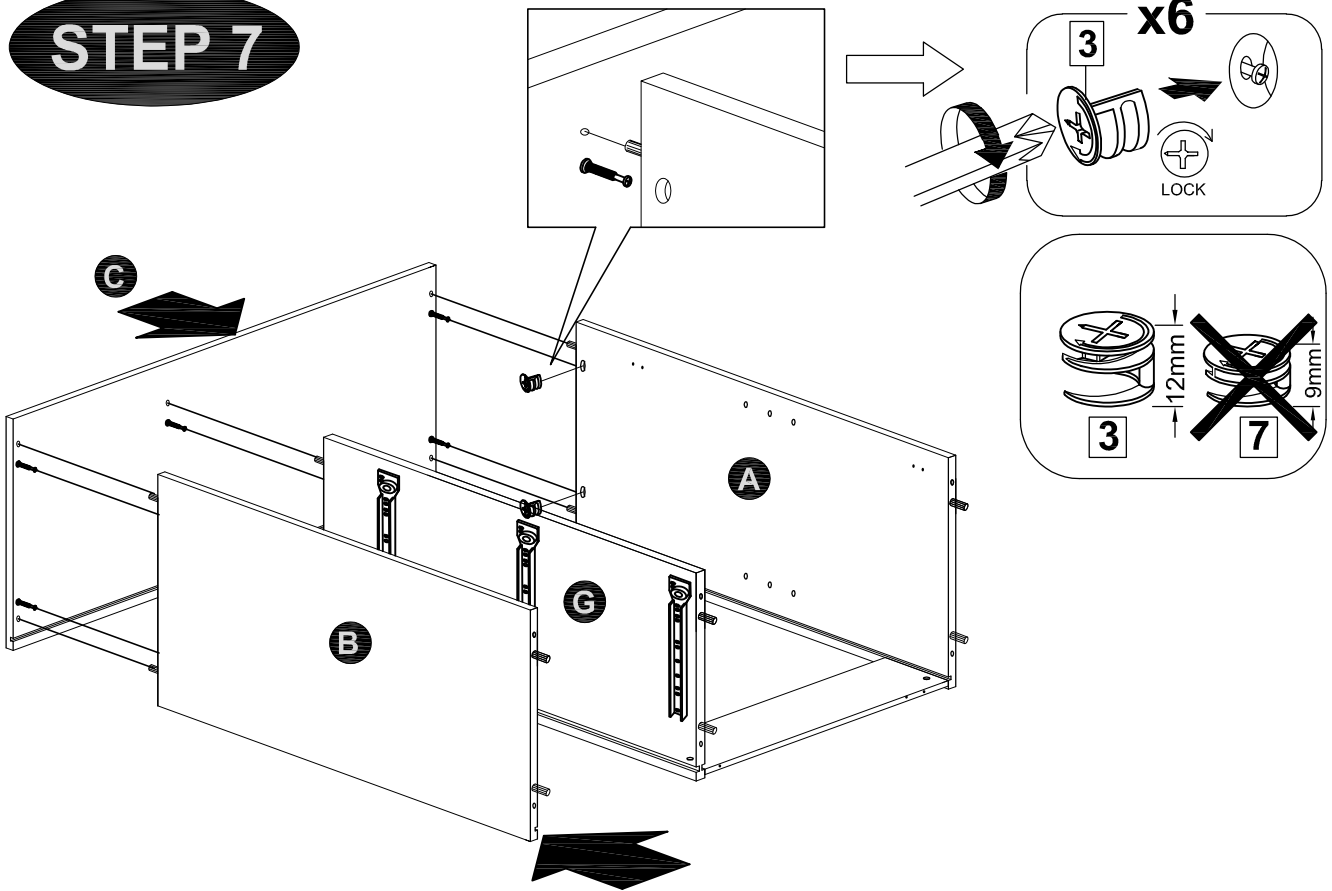




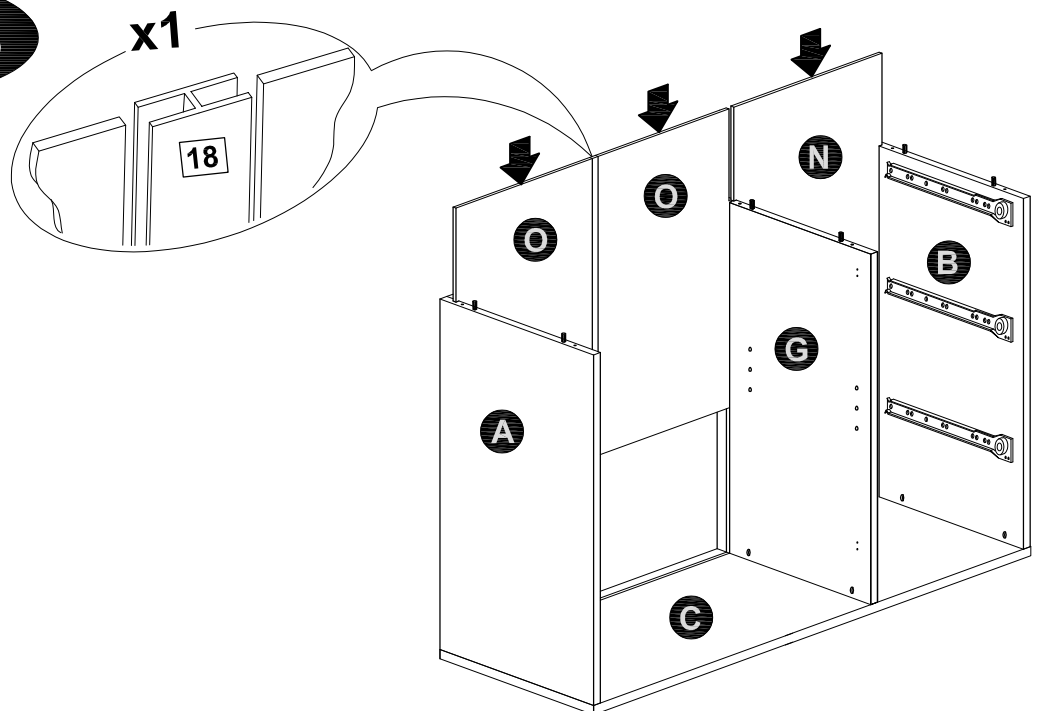
MODEL NAME:

CA 5790-00

**STEP 7**



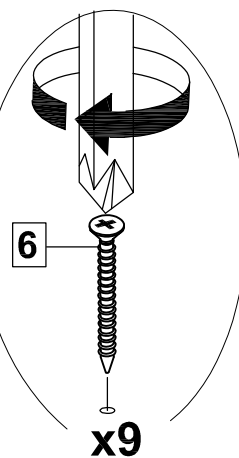
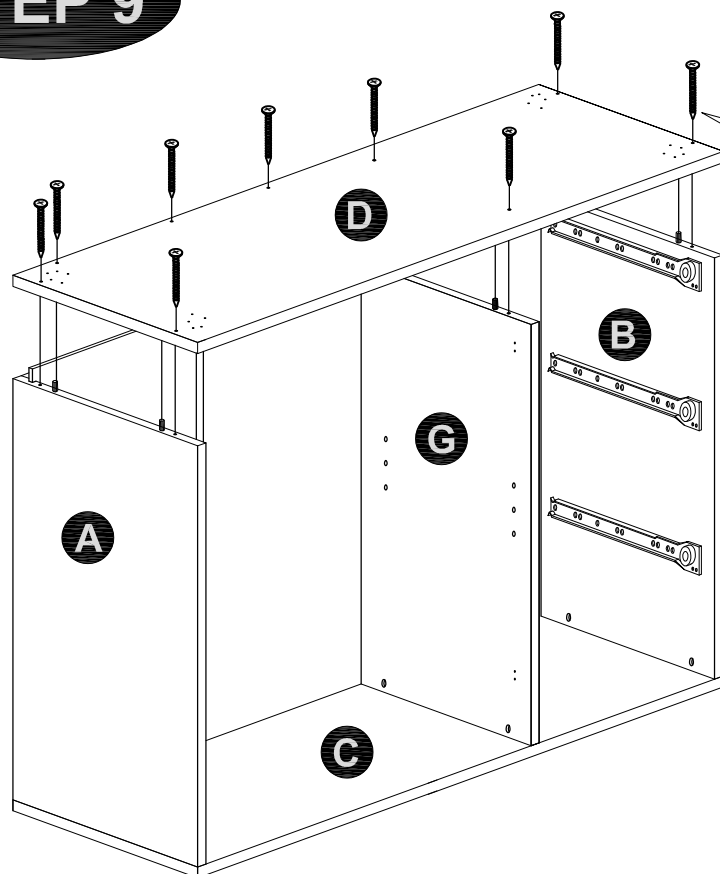
**STEP 8**



MODEL NAME:

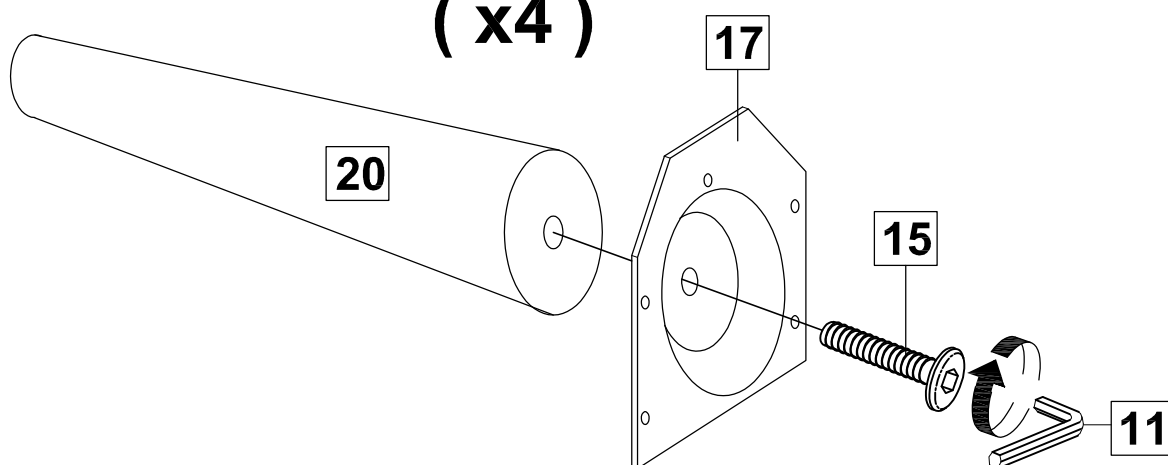
CA 5790-00

**STEP 9**



**STEP 10**

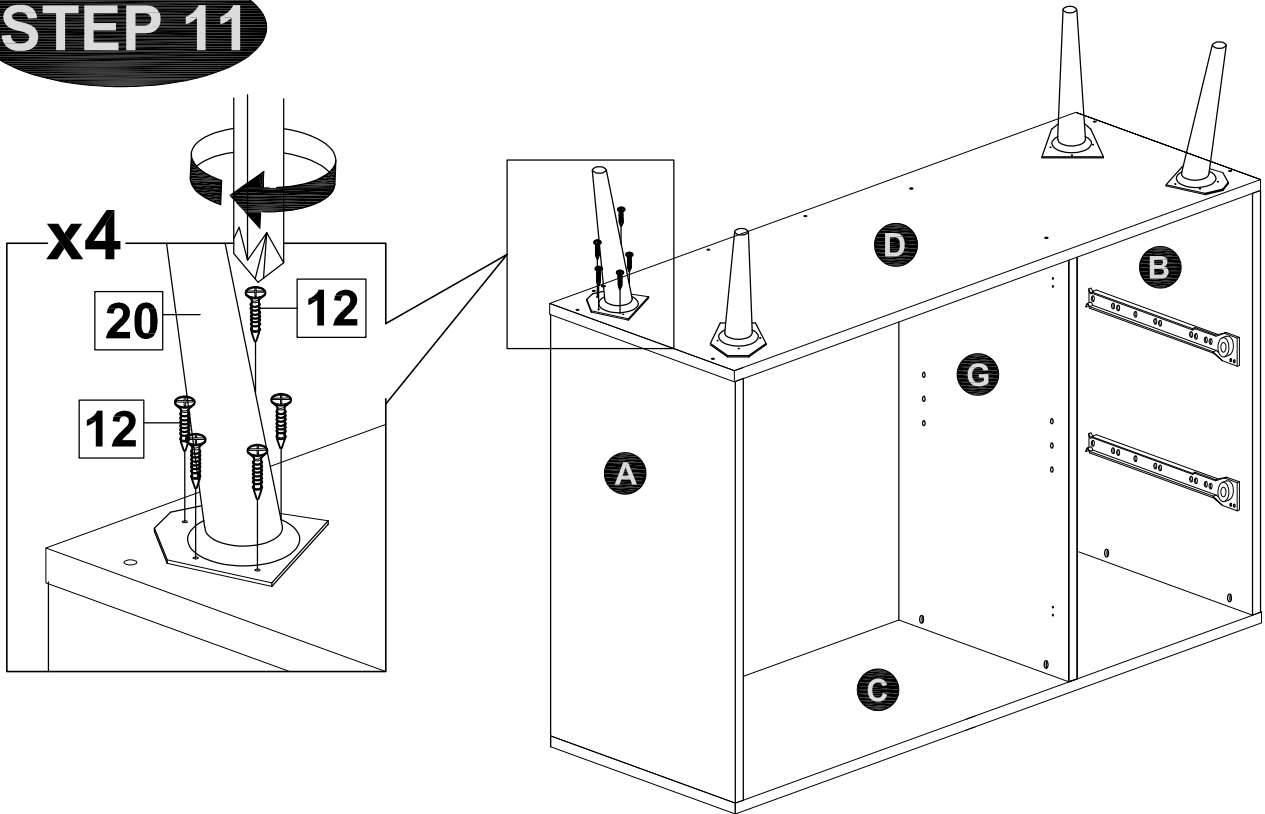
( x4 )



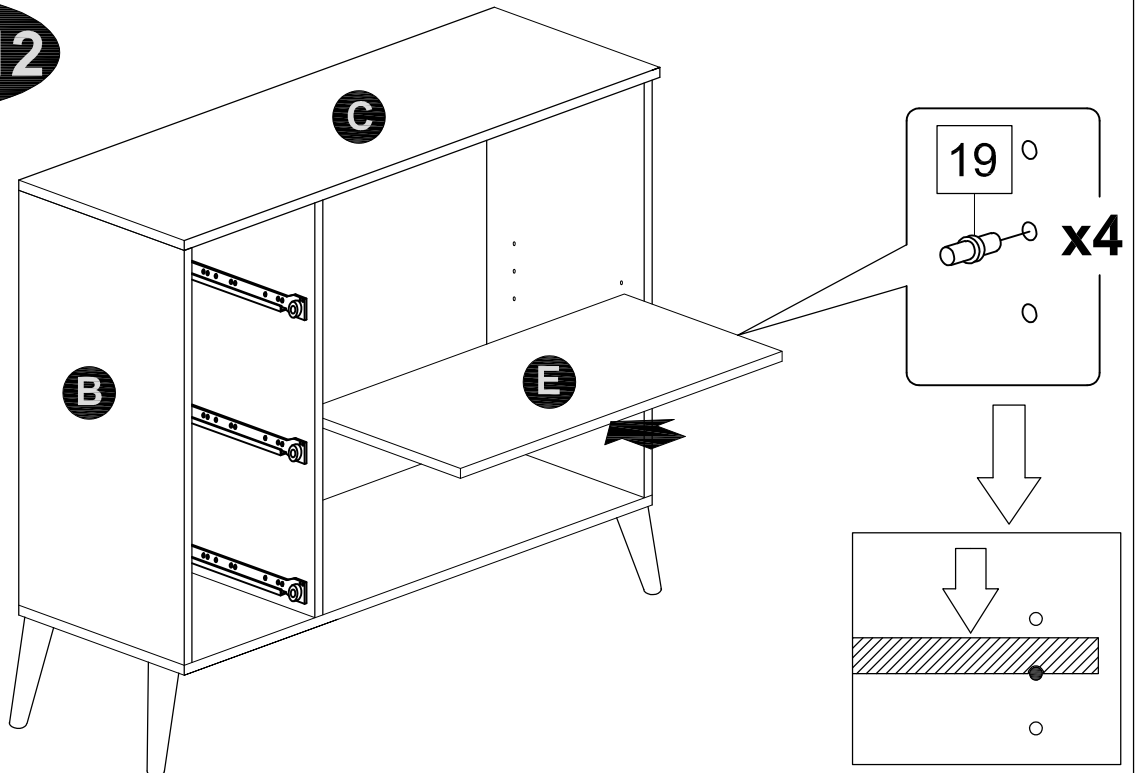
MODEL NAME:

CA 5790-00

**STEP 11**



**STEP 12**

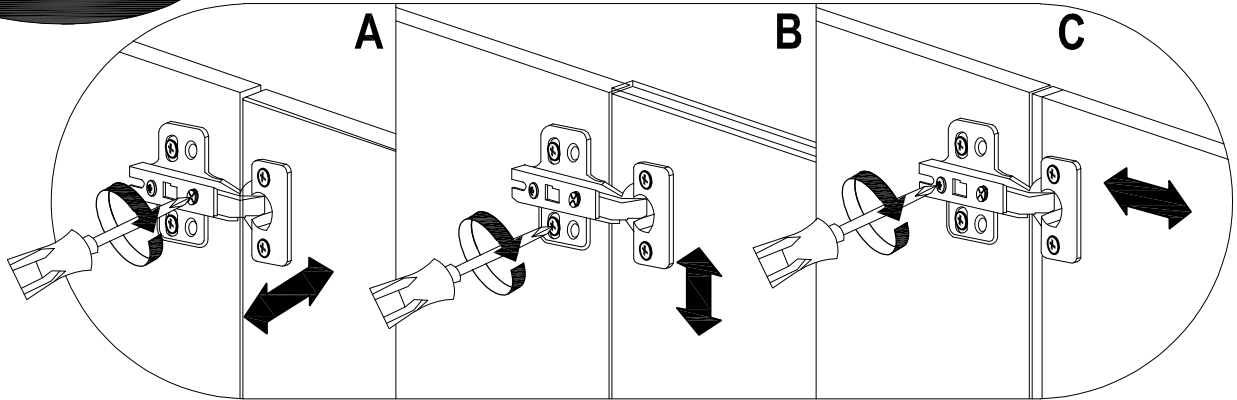


MODEL NAME:

CA 5790-00

**STEP 13**

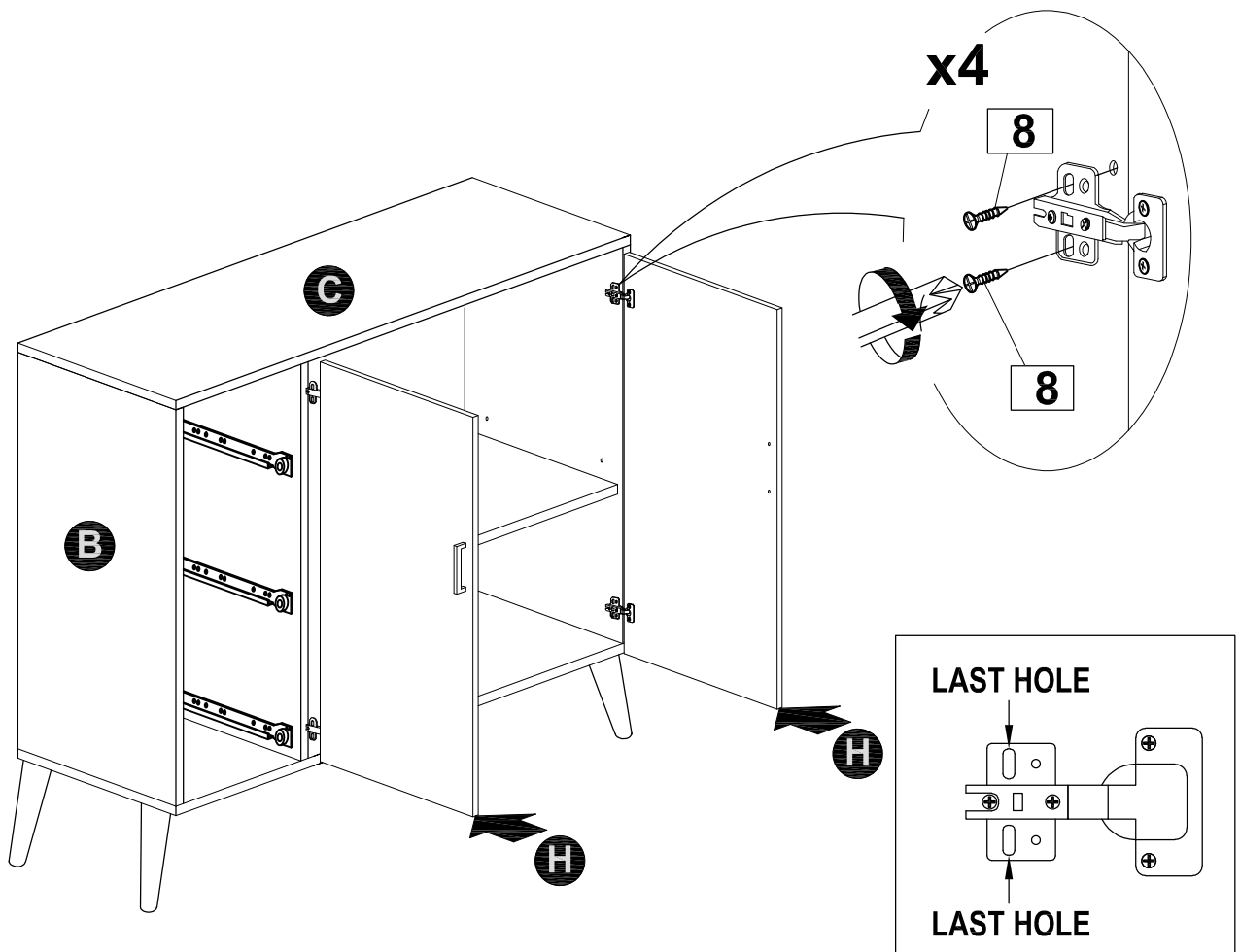
Hinges Adjustment Facilities



A. Lateral adjustment by screw adjusting

B. Vertical adjustment via slot in the mounting plate

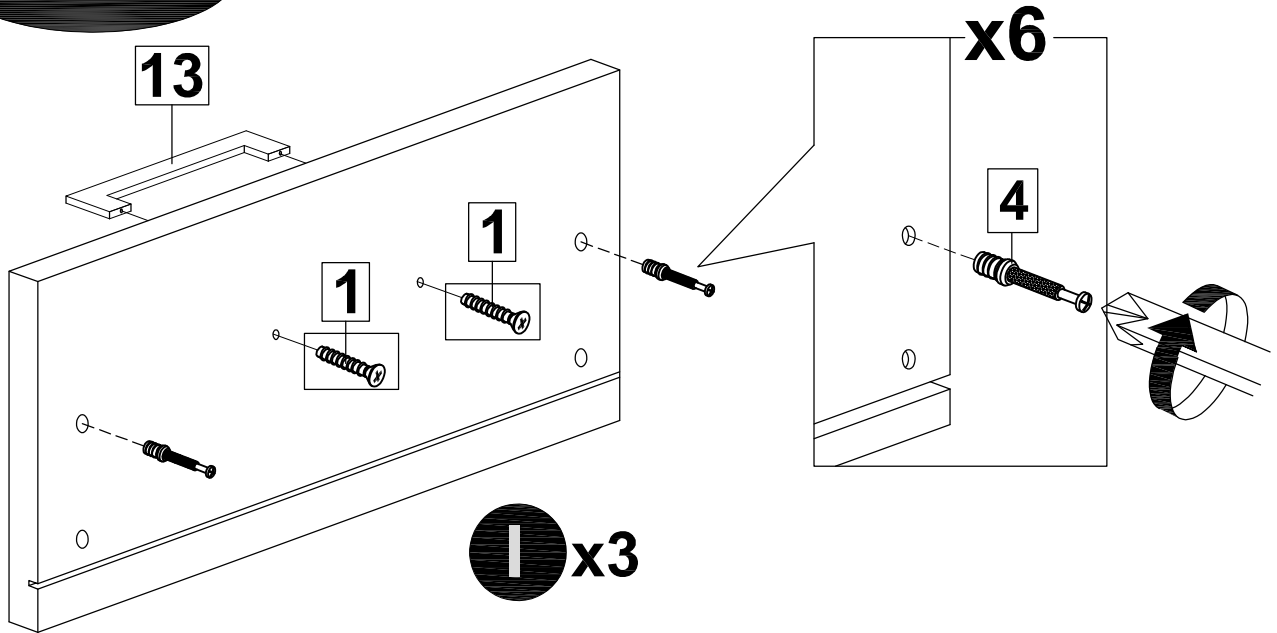
C. Front-to-Back by the slacking the hinge arm mounting screw



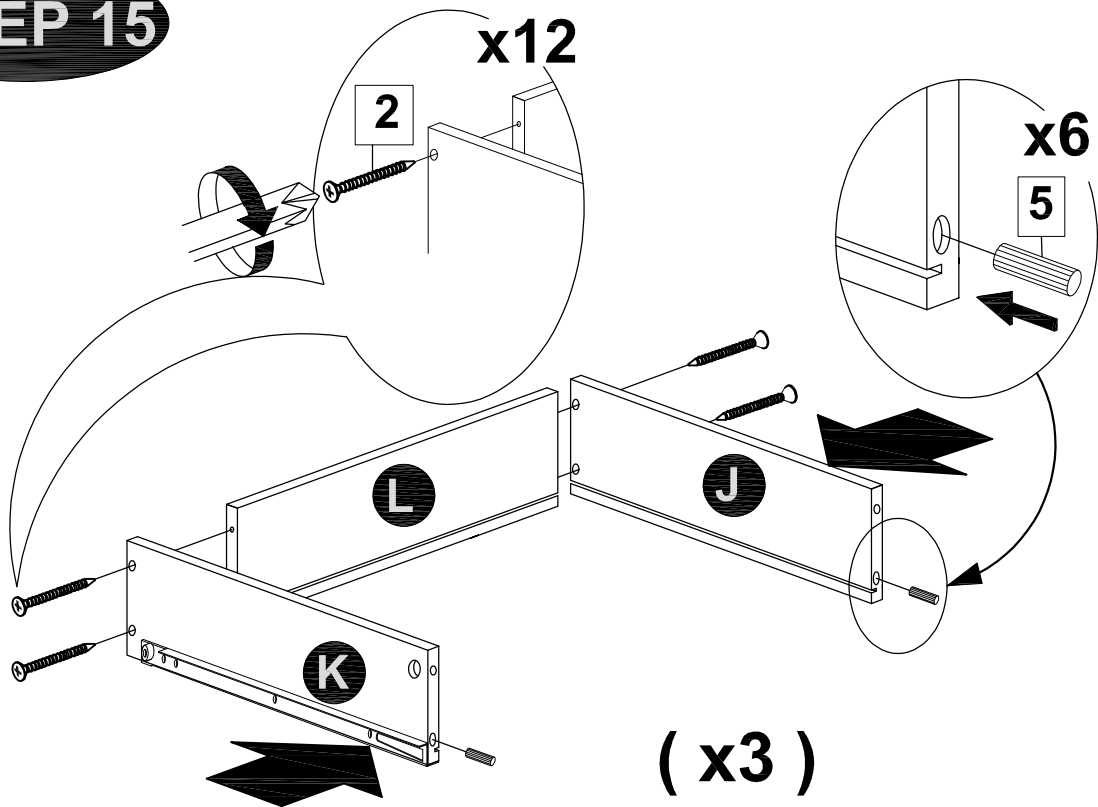
MODEL NAME:

CA 5790-00

**STEP 14**



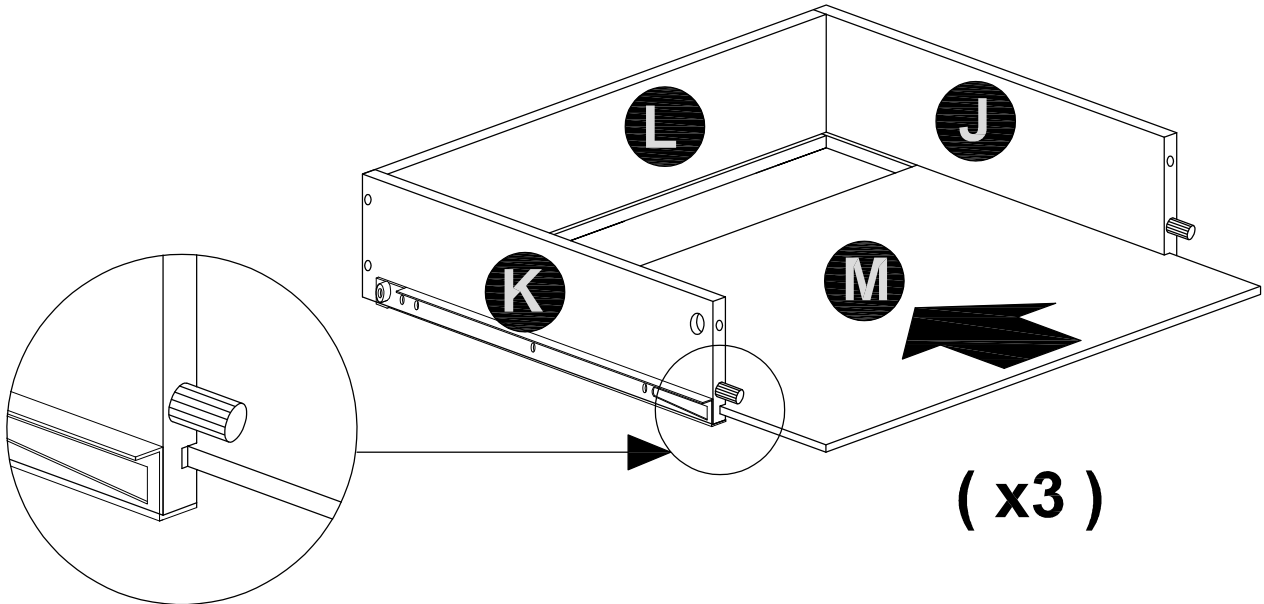
**STEP 15**



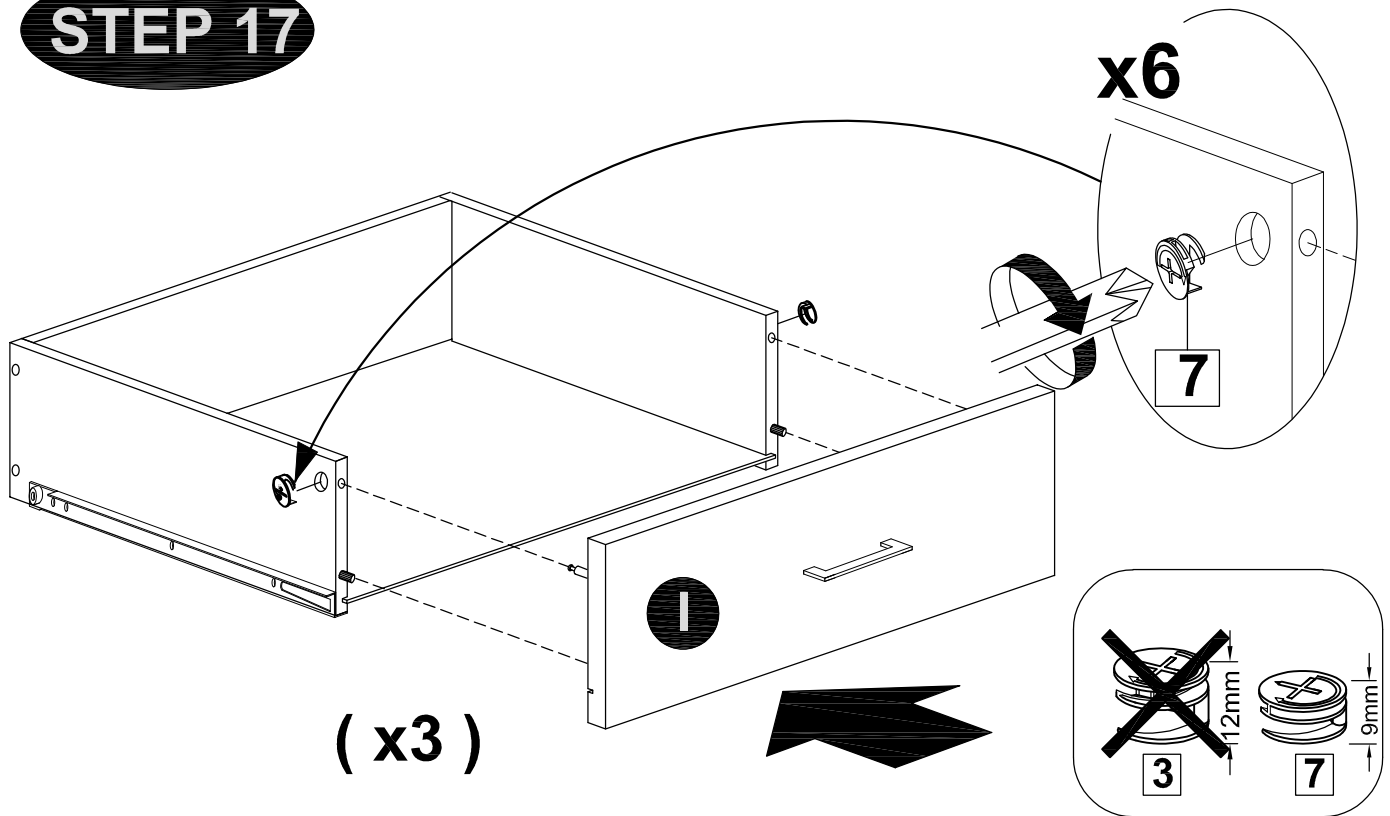
MODEL NAME:

CA 5790-00

**STEP 16**



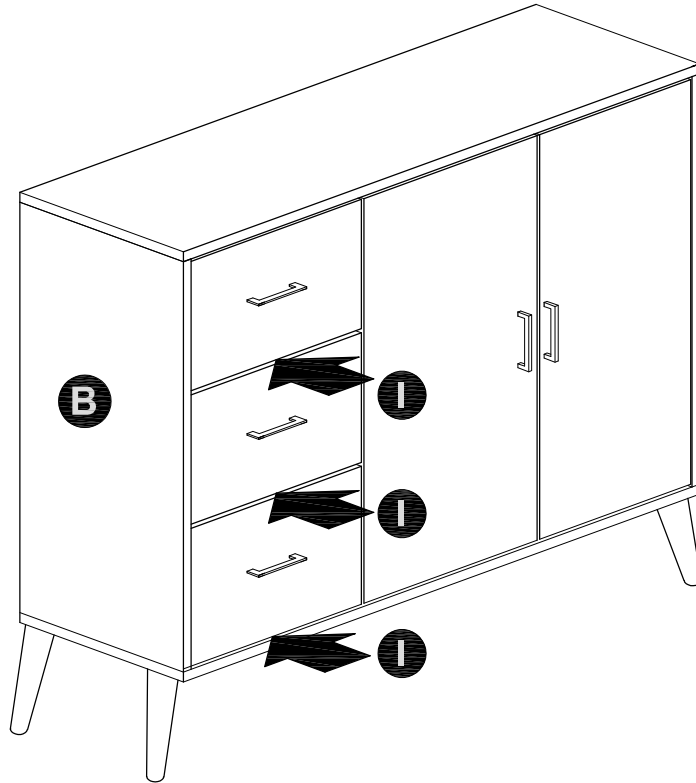
**STEP 17**



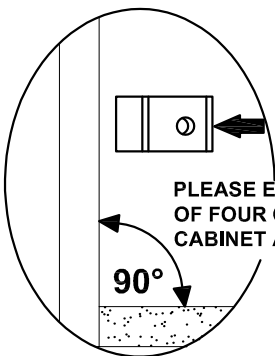
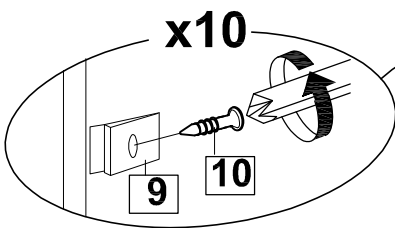
MODEL NAME:

CA 5790-00

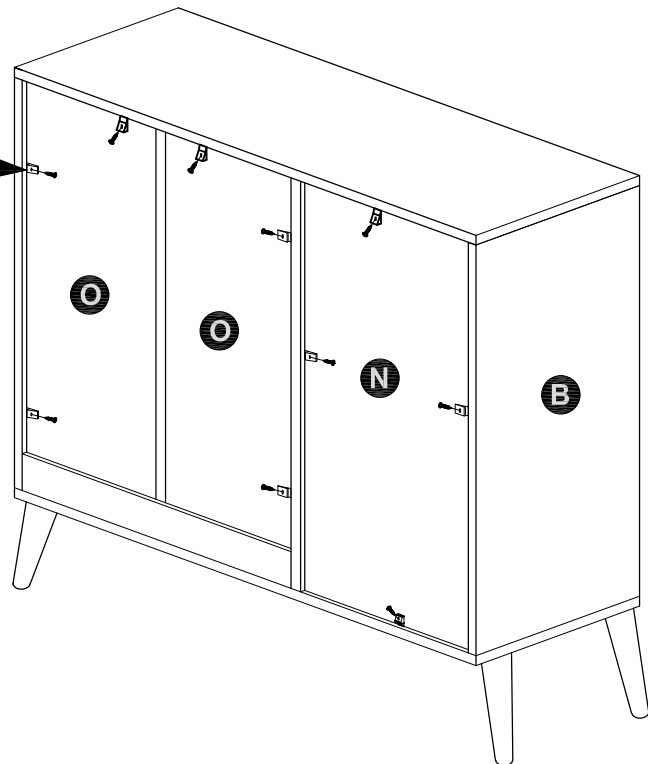
**STEP 18**



**STEP 19**



PLEASE ENSURE THAT EACH OF FOUR CORNERS OF CABINET ARE SQUARE



**MODEL NAME:**

**CA 5790-00**

**STEP 20**





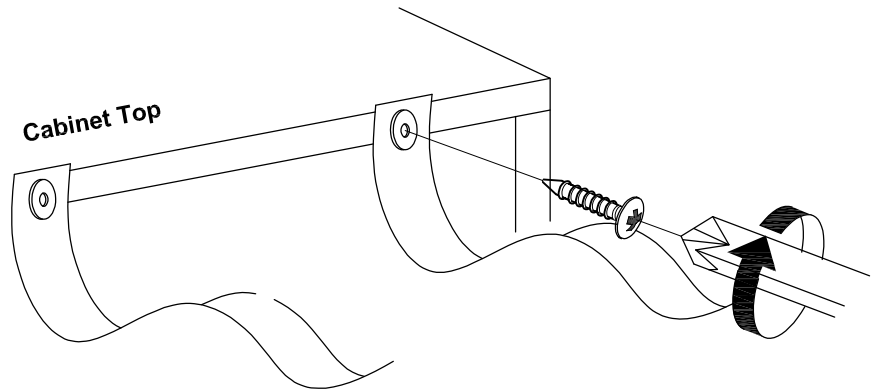
## SAFETY WARNING :

It is recommended that you fit the anti-tip bracket to this item to avoid tipping and causing injury.

## FITTING OF ANTI-TIP BRACKET

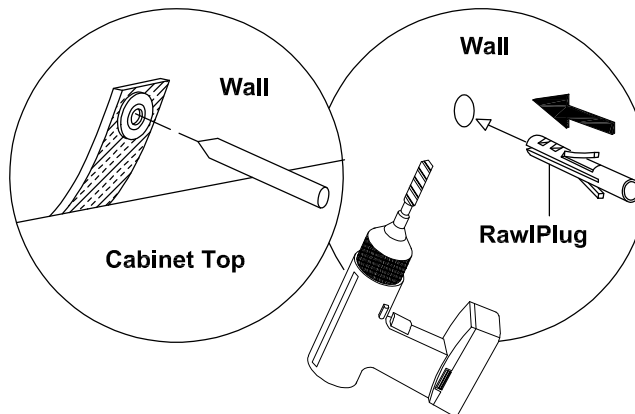
### STEP 1 :

Insert screws through bracket into pre-drilled holes in cabinet.



### STEP 2 :

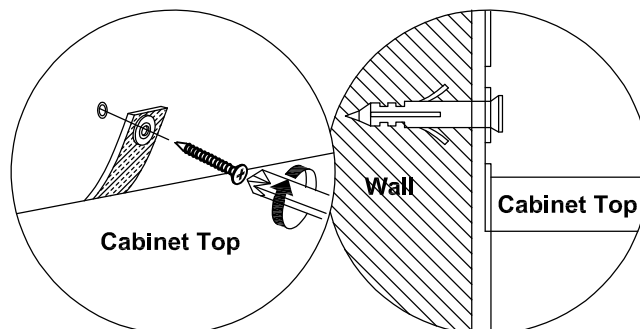
Make a mark on the wall through the bracket.



Drill a hole in the wall and insert the rawlplug.

### STEP 3 :

Insert screw through bracket into hole in wall



**NOTE :** Wall fixings are not supplied with this product as different wall materials require different types of fixing devices (such as Rawl plugs on brick work). You must use fixing devices suitable for the type of wall you intend to mount this product to. Please ensure that the head of any screw used has a diameter greater than the diameter of the mounting hole on the bracket and that the fixing is safe and secure before use.

The screw supplied is to fix the anti-tip strap to the cabinet.

### HARDWARE LIST



Anti-Tip Strap - 2pcs



M3.5 x 16MM - 2pcs