

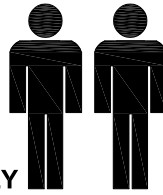
MODEL NAME:

CA 5712-00

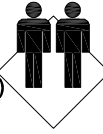
90min

APPROXIMATE ASSEMBLY TIME

2 PEOPLE FOR ASSEMBLY

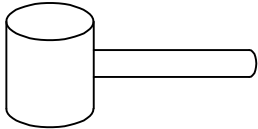


FLOOR AREA
2.2M X 2.0M
(FLAT BUILD)

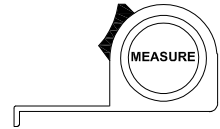
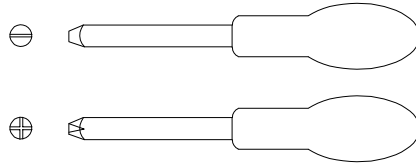


CEILING HEIGHT
2.2M

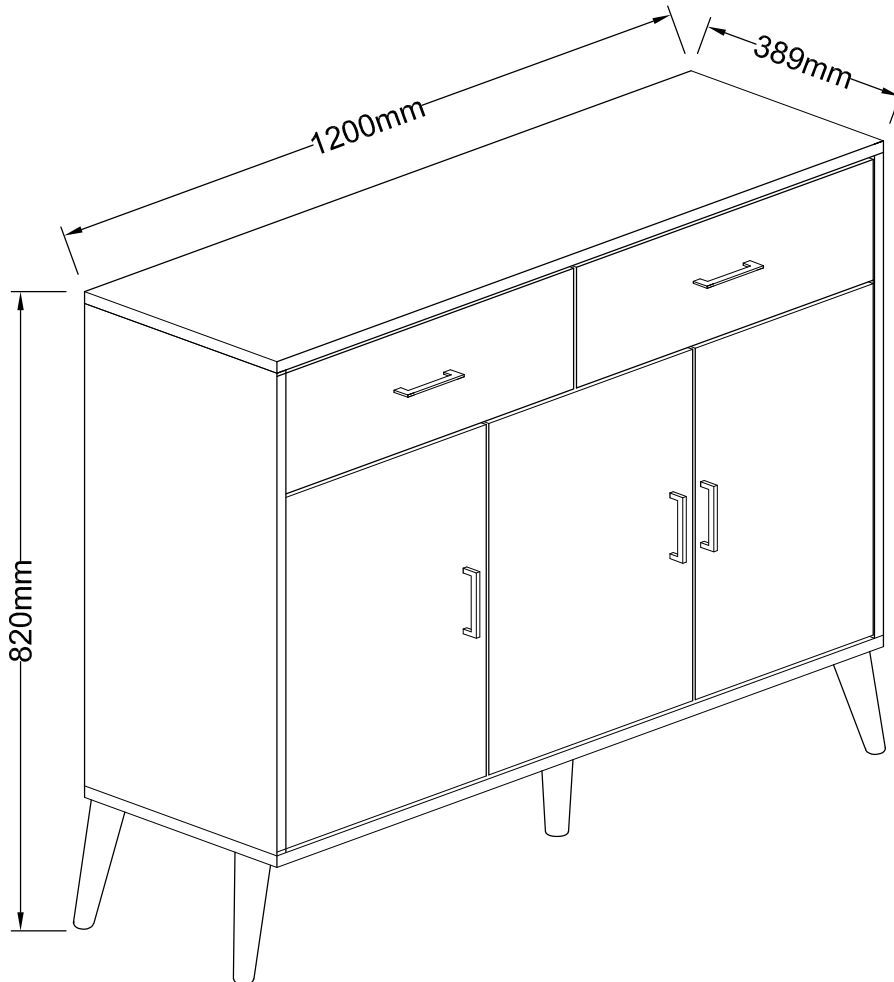
REQUIRED ASSEMBLY SPACE



REQUIRED ASSEMBLY TOOLS



ASSEMBLED DIMENSIONS



NOTE : THE MAXIMUM WEIGHT THIS PRODUCT CAN HOLD UP TO IS 25 KGS.

MODEL NAME:

CA 5712-00

NO. PART LIST

- (A) RIGHT SIDE PANEL
- (B) LEFT SIDE PANEL
- (C) CENTRE PANEL(TOP)
- (D) CENTRE PANEL(BOTTOM)
- (E) TOP PANEL
- (F) FIXED SHELF
- (G) BOTTOM PANEL
- (H) DOOR PANEL

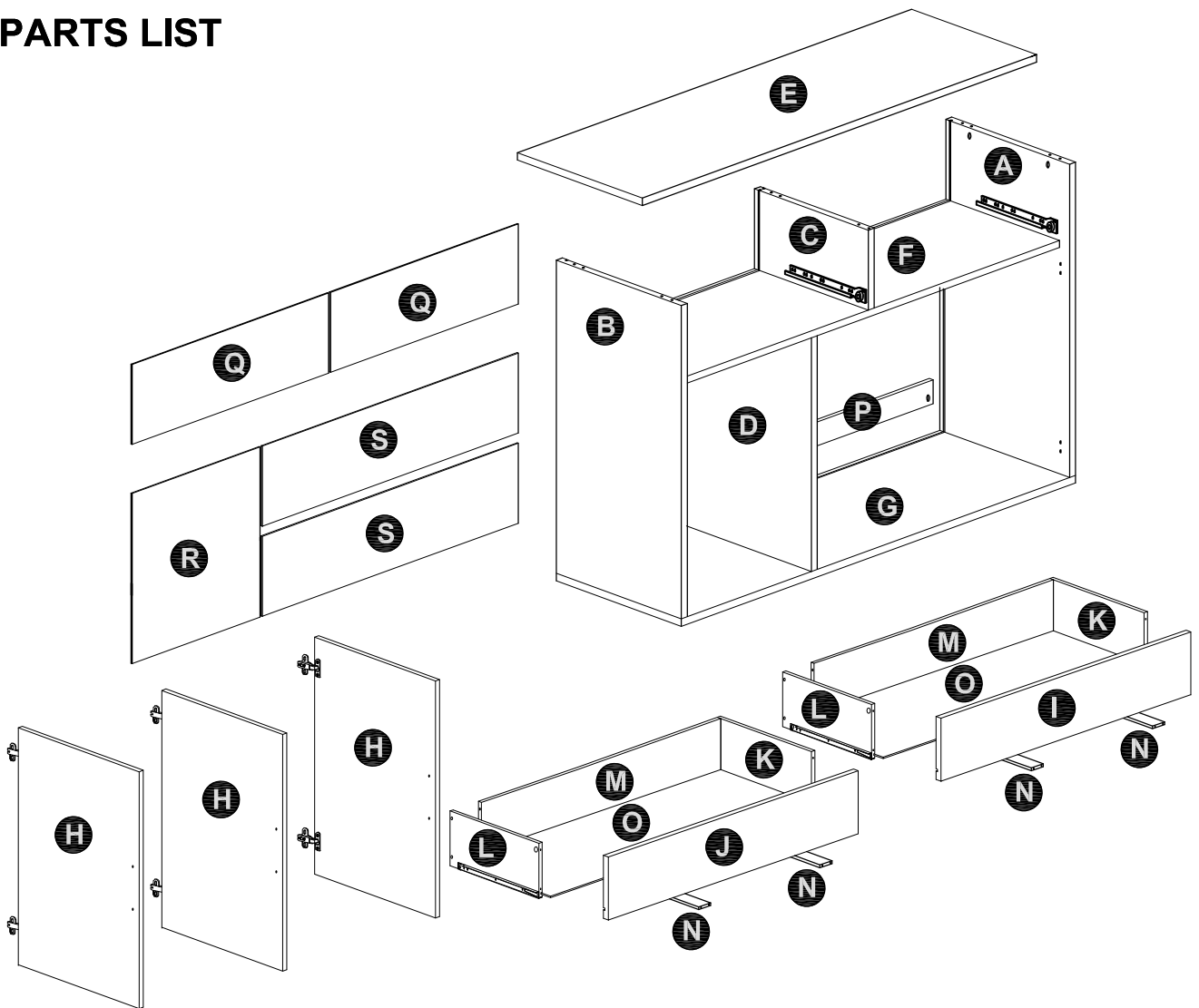
QTY NO. PART LIST

- 1 (I) DRAWER FRONT(RIGHT)
- 1 (J) DRAWER FRONT(LEFT)
- 1 (K) DRAWER SIDE (RIGHT)
- 1 (L) DRAWER SIDE (LEFT)
- 1 (M) DRAWER BACK PANEL
- 1 (N) DRAWER BOTTOM SUPPORT
- 1 (O) DRAWER BASE
- 3 (P) BACK SUPPORT
- (Q) BACK PANEL-A
- (R) BACK PANEL-B
- (S) BACK PANEL-C

QTY

- 1
- 1
- 2
- 2
- 2
- 4
- 2
- 1
- 2
- 1
- 2

PARTS LIST



MODEL NAME:

CA 5712-00

HARDWARE LIST

4cm
3cm
2cm
1cm
0cm

10X
M3.6 x 22mm
1
FLAT HEAD SCREW

16X
M3.5 x 25mm
2
FLAT HEAD SCREW

12X
Dia.15mm
12mm
3
LARGE CAM-LOCK

18X
M6.5
4
CAM BOLT

34X
Dia.6 x 30mm
5
WOOD DOWEL

11X
M8 x 38mm
6
FLAT HEAD SCREW

3cm
2cm
1cm
0cm

6X
Dia.15mm
9mm
7
SMALL CAM-LOCK

24X
M4 x 16mm
8
FLAT HEAD SCREW (HINGES)

17X
9
BACKPLY STOPPER

17X
M3 x 20mm
10
FLAT HEAD SCREW

1X
M5
11
ALLEN KEY

20X
M4 x 16mm
12
FLAT HEAD SCREW

5X
13
HANDLE

2X
14
GLUE 10CC

5X
M8 x 35mm
15
ALLEN HEAD BOLT

1X
M6 x 23mm
16
ADJUSTABLE LEG

4X
17
LEG BRACKET

6X
18
ADJUSTABLE HINGE

1X
19
PVC H (776mm)

1X
20
Dia.45/27- 234mm
CENTRE LEG

4X
21
Dia.45/27- 240mm
LEG

2X
22
ANTI TIP STRAP

MODEL NAME:

CA 5712-00

Top Tips before you start!

1. Please check that all parts are present before you start the assembly of your furniture.
2. For ease and speed of assembly, we recommend that before you commence each step of the assembly, that you identify all the parts required for that step.
3. For larger items, please ensure that you have sufficient space and people (as indicated on page 1) to assemble your product safely
4. We recommend that, where possible, all items are assembled near to the area in which they will be placed in use, to avoid moving the product unnecessarily once assembled.
5. For the protection of your furniture, particularly items of high gloss finish, we recommend that the product is placed on a protected surface during assembly to prevent any damage.
6. Caution - Electric / Battery operated screw driver NOT RECOMMENDED.
7. During assembly please take care not to over-tighten any fittings, as this may damage the product.
8. Always place the product on a flat, steady and stable surface.
9. Do not sit or stand on the product.
Do not use the product as a stepladder.
10. This product is intended for indoor, household use only as it is non industrial product.
11. This product is constructed from re-inforced hollow board. Excessive pressure cause irreparable damage. Please do not kneel on any part of this product during assembly.

Care and Maintenance of your Furniture

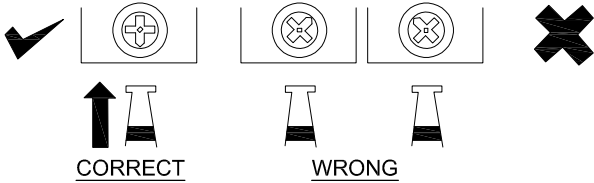
- Please periodically check all fittings and re-tighten as necessary.
- To clean your item, please use a damp cloth and wipe clean.
- Never allow any kind of liquid to remain on your furniture.
- Please do not place hot items (e.g. hot drinks) directly on to the wood surface.
- Please do not drag and pull your furniture.

MODEL NAME:

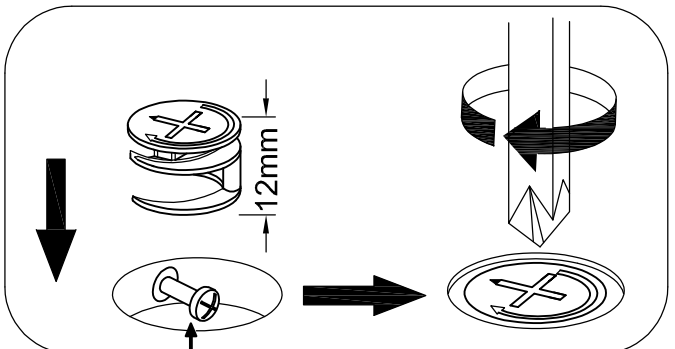
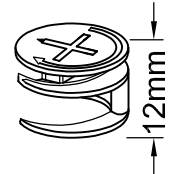
CA 5712-00

SPECIAL TIPS FOR FITTING CAM-LOCKS AND QUICKFIT

WHEN FITTING CAMLOCK
ENSURE STARTING POSITION IS CORRECT
BEFORE YOU INSERT CONNECTING QUICKFIT
TURN CLOCKWISE UNTIL SECURE

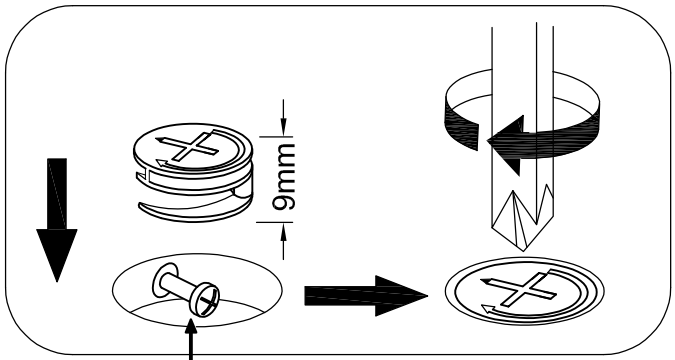
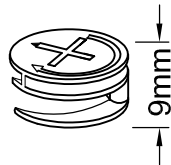


LARGE
CAM-LOCK



Quickfit head needs to be in centre

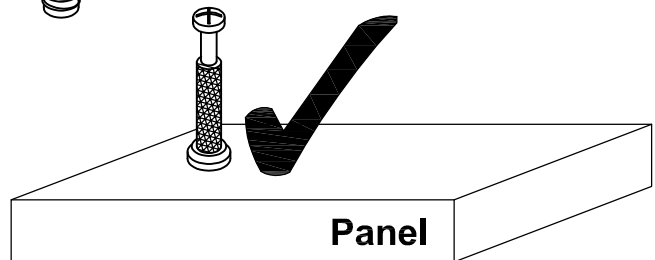
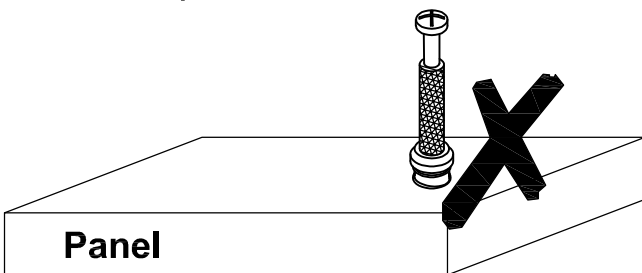
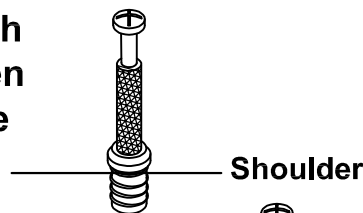
SMALL
CAM-LOCK



Quickfit head needs to be in centre

CAM BOLT

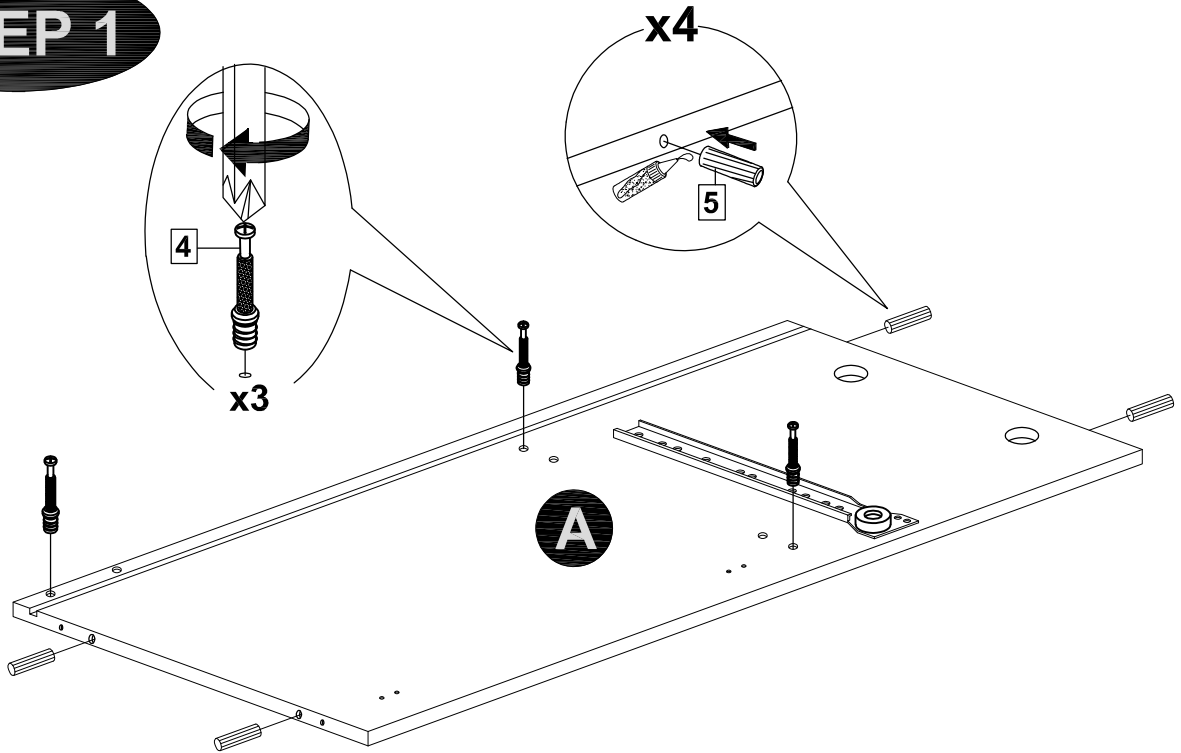
Tighten until shoulder is flush with panel. Do not overtighten or undertighten (see example below)



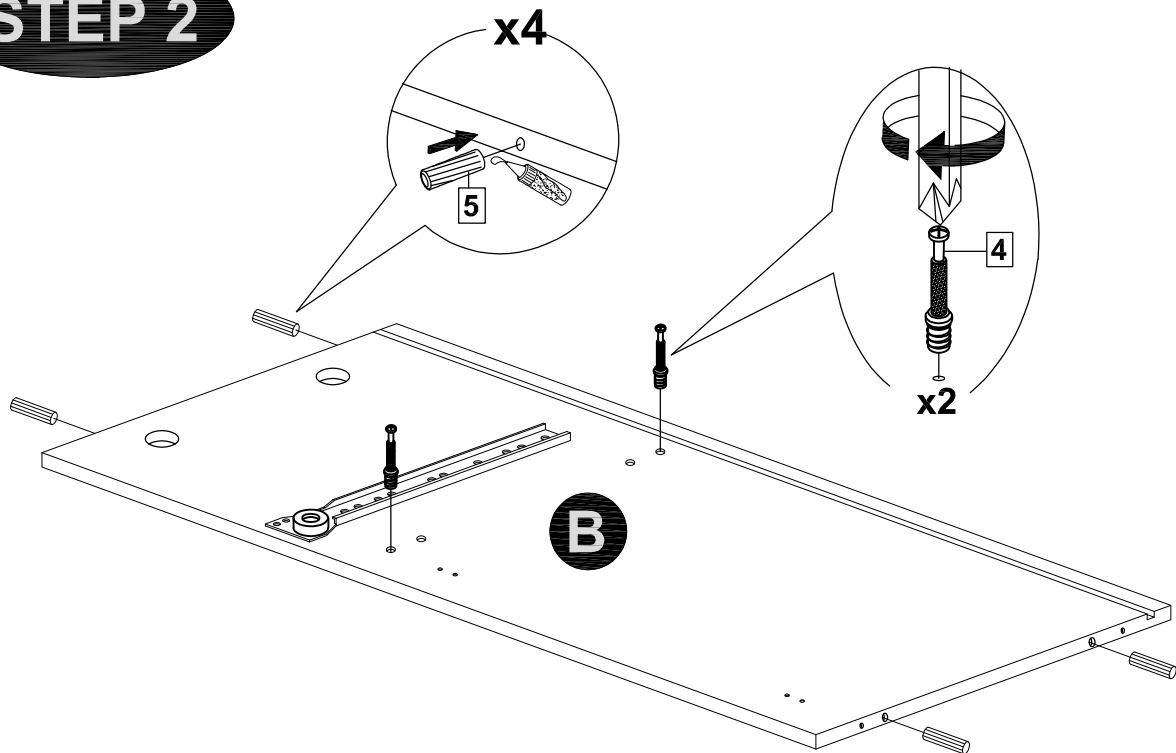
MODEL NAME:

CA 5712-00

STEP 1



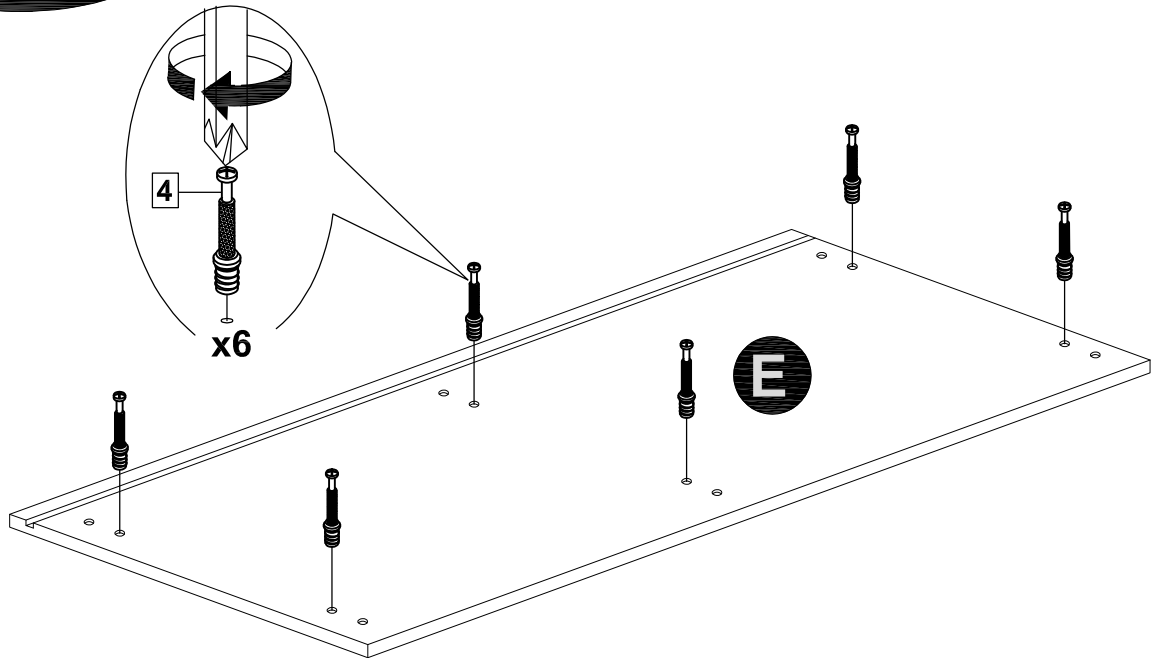
STEP 2



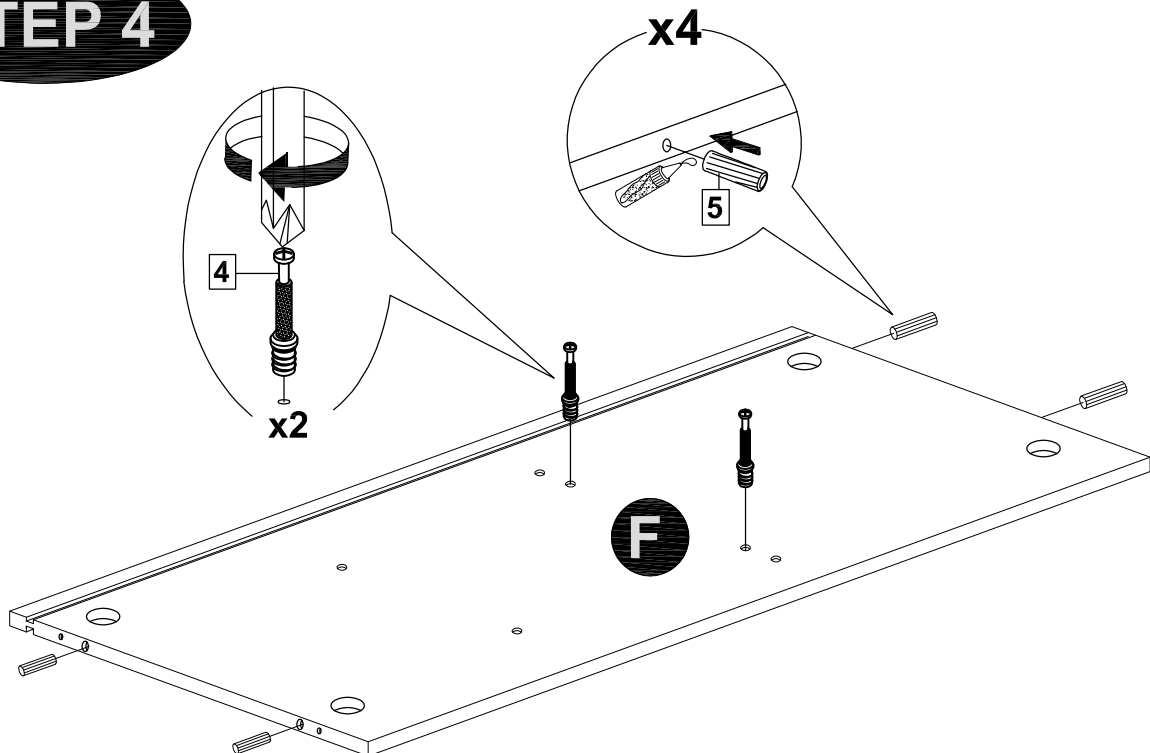
MODEL NAME:

CA 5712-00

STEP 3



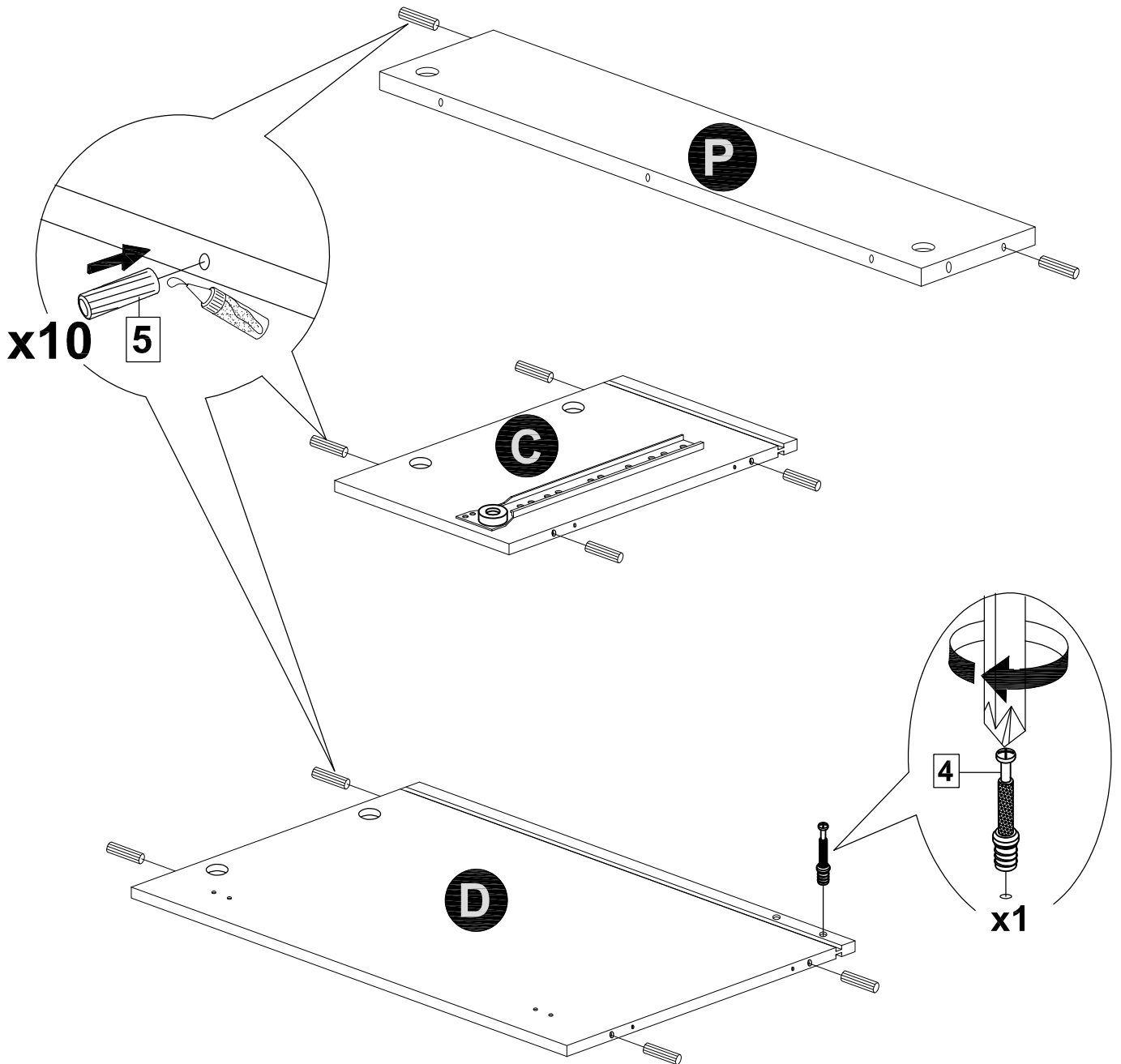
STEP 4



MODEL NAME:

CA 5712-00

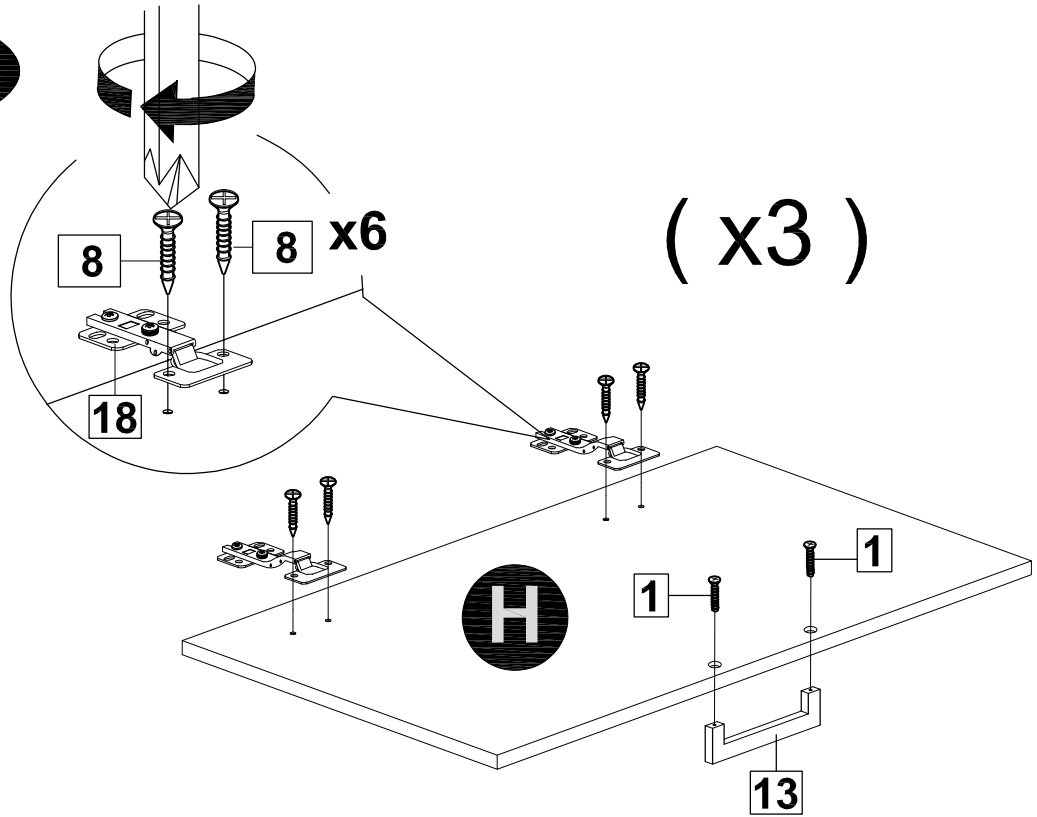
STEP 5



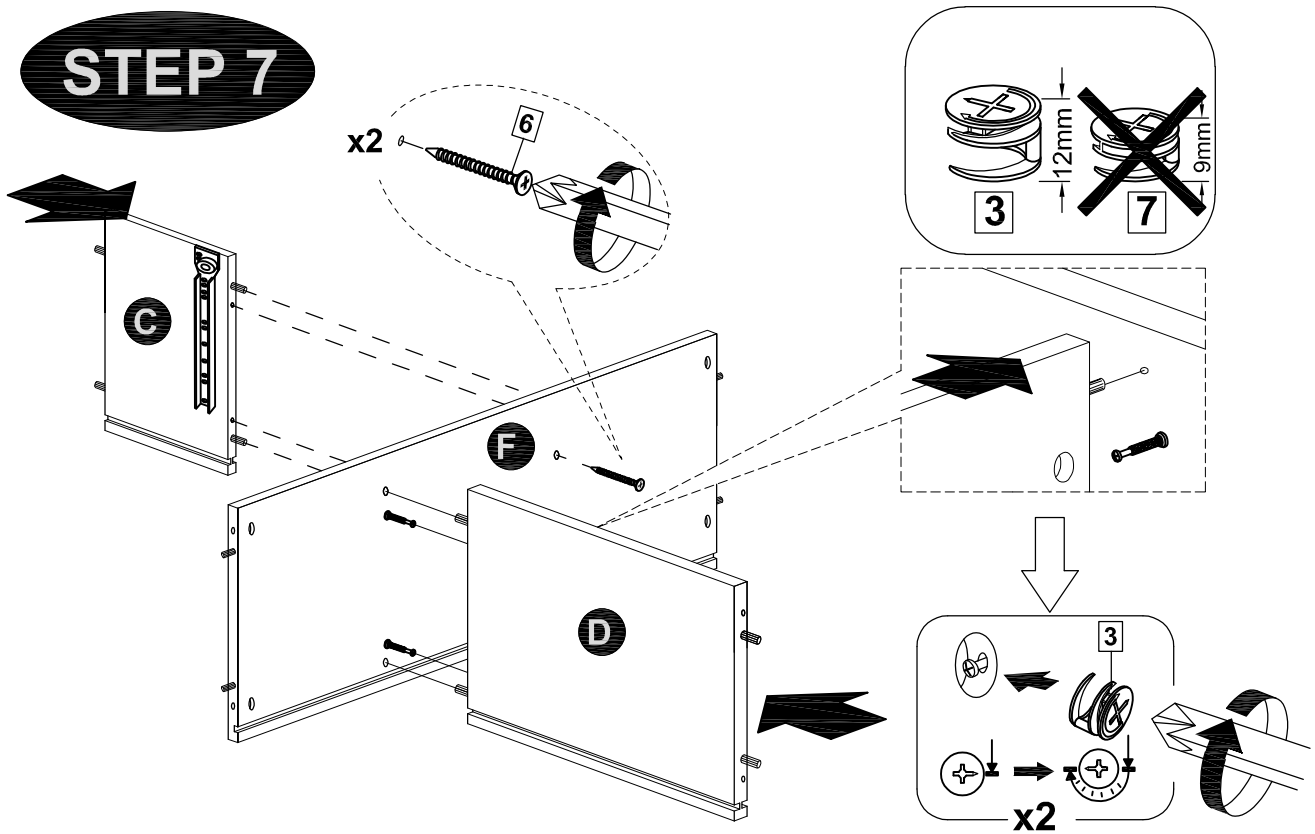
MODEL NAME:

CA 5712-00

STEP 6



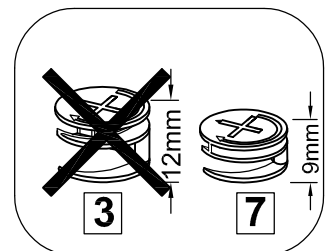
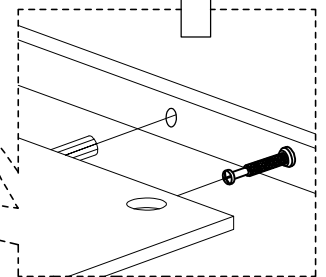
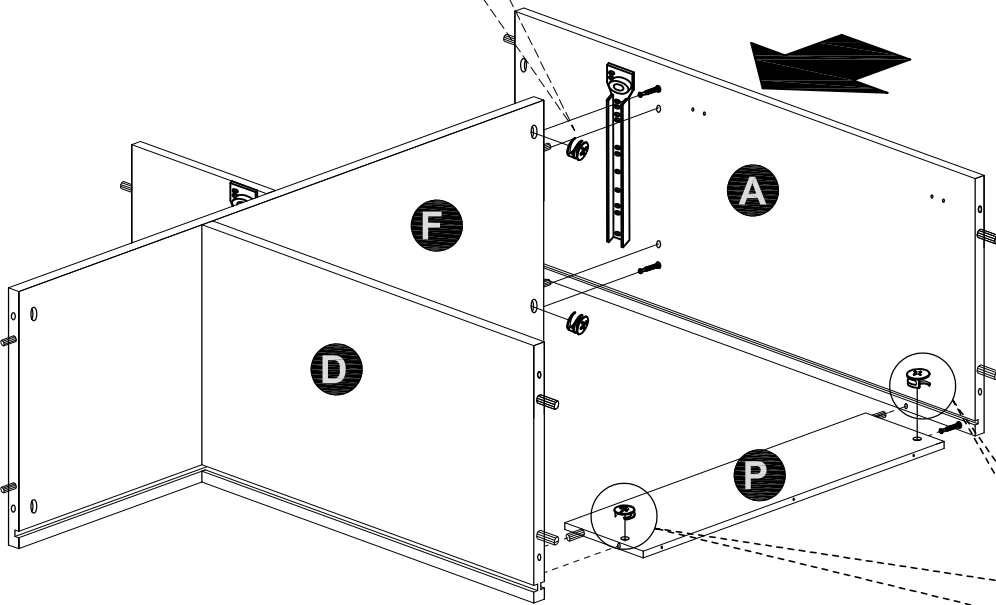
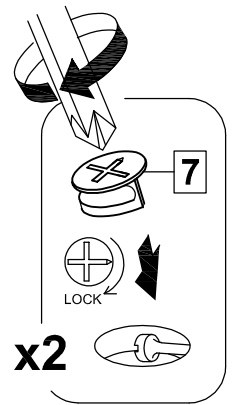
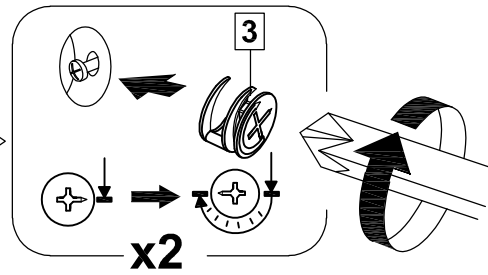
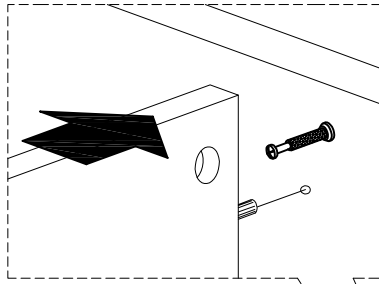
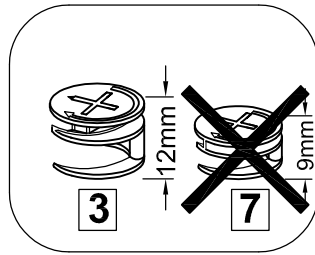
STEP 7



MODEL NAME:

CA 5712-00

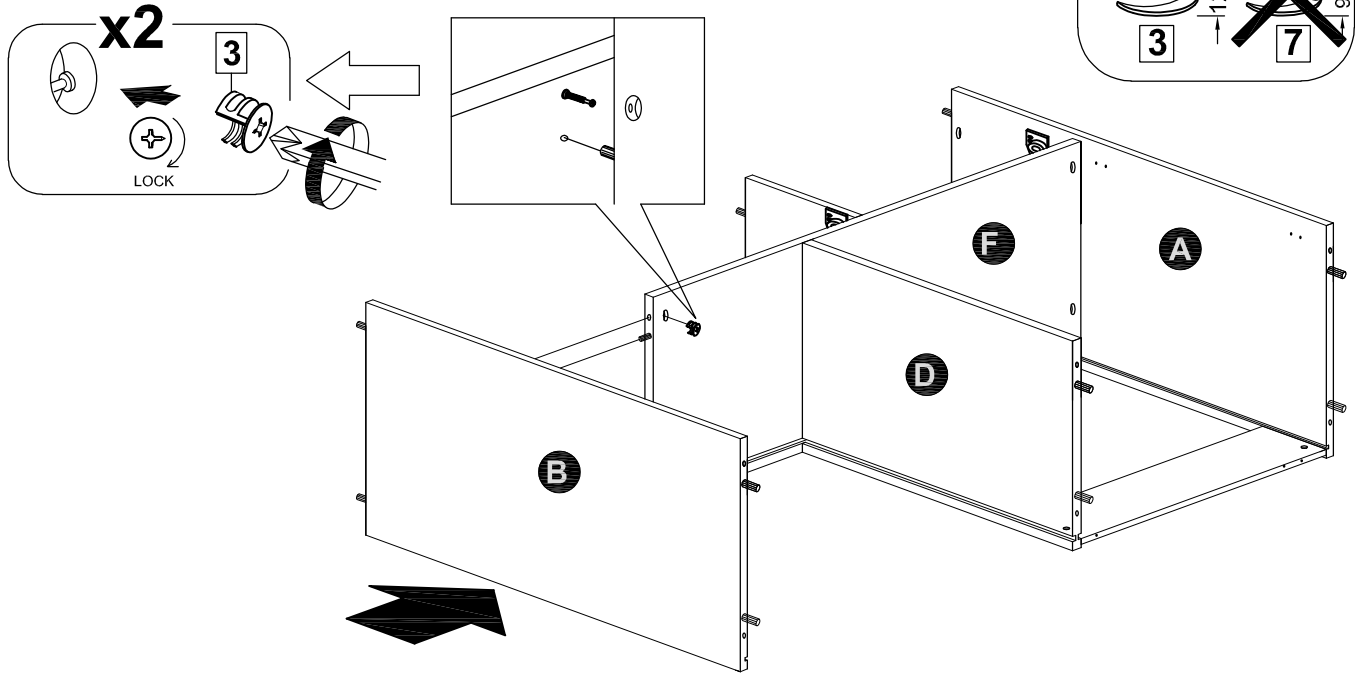
STEP 8



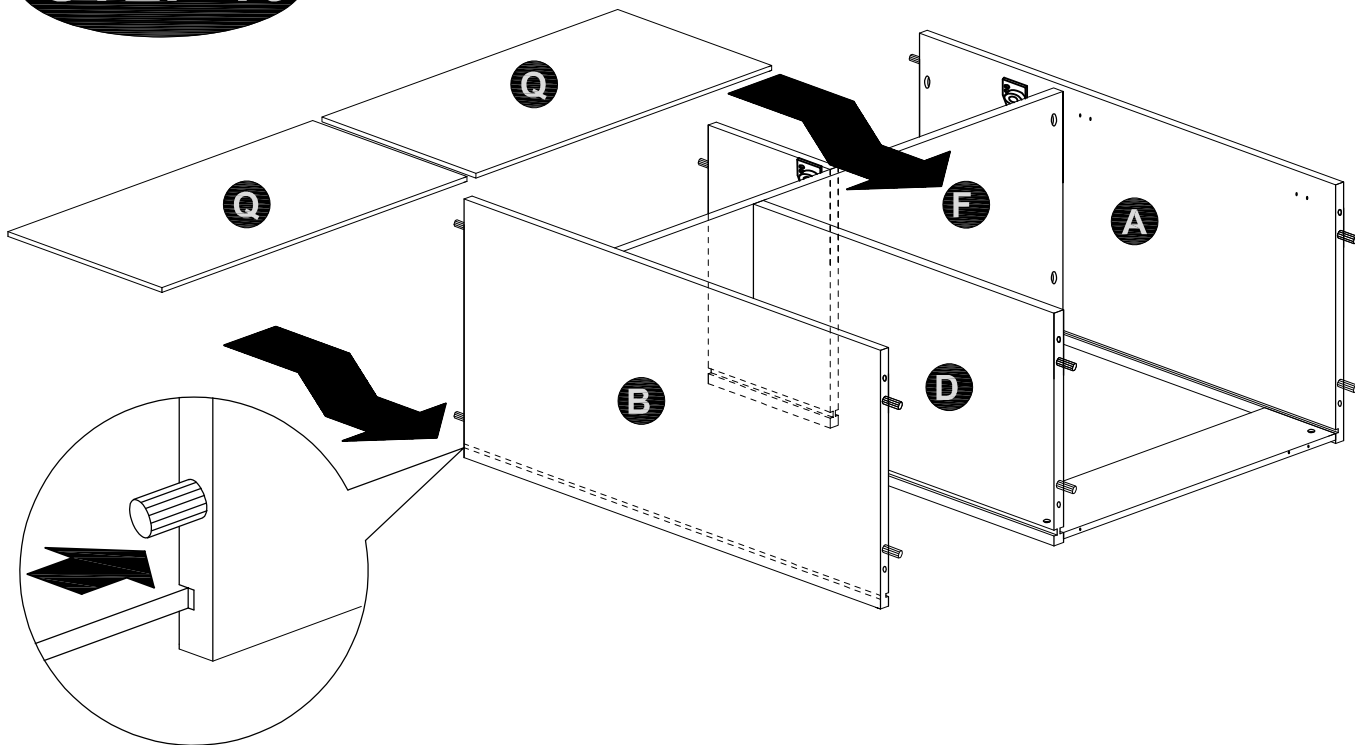
MODEL NAME:

CA 5712-00

STEP 9



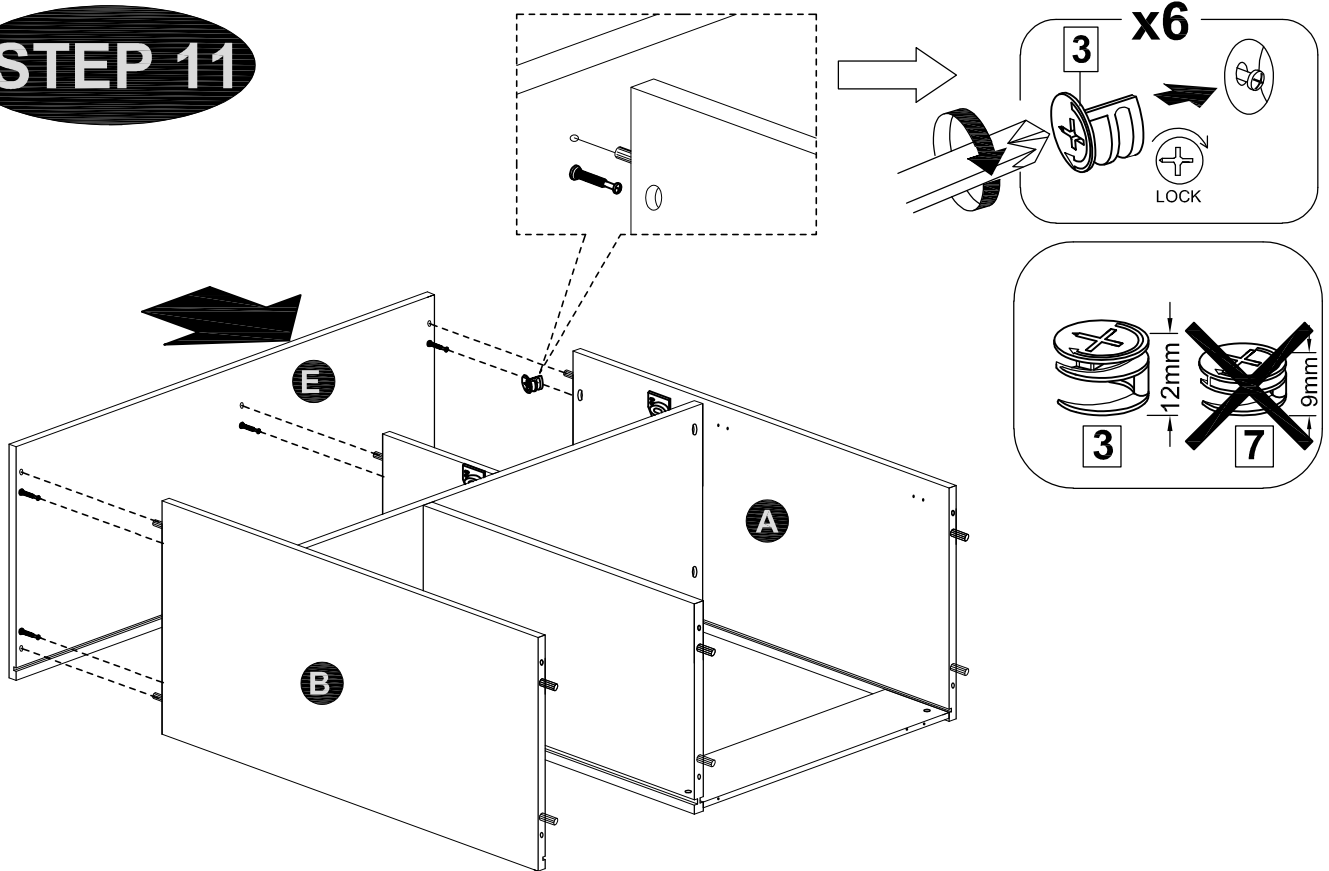
STEP 10



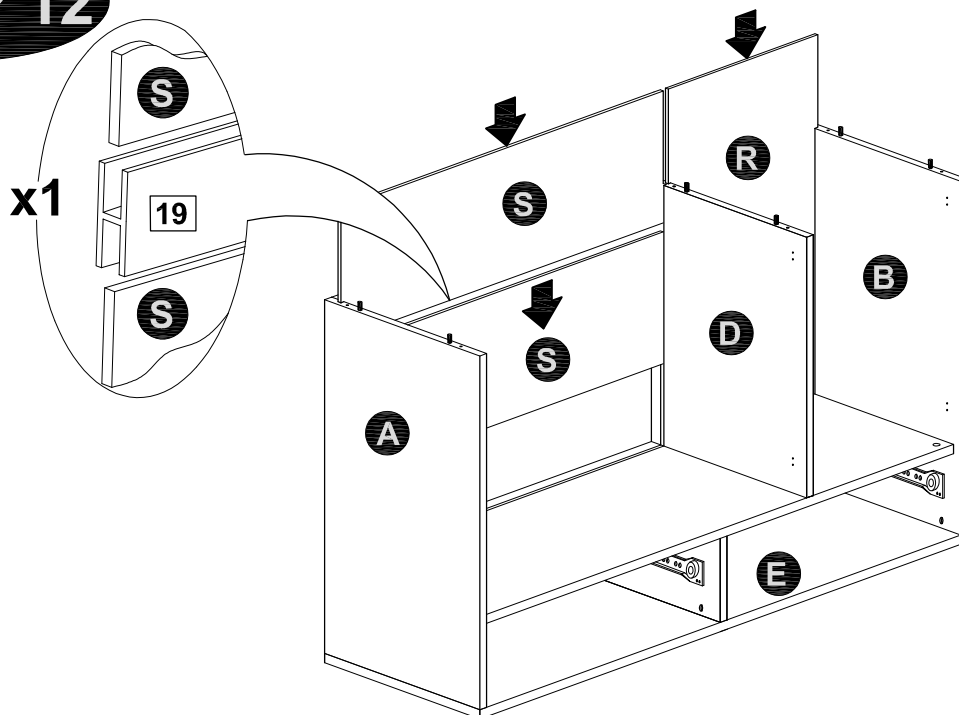
MODEL NAME:

CA 5712-00

STEP 11



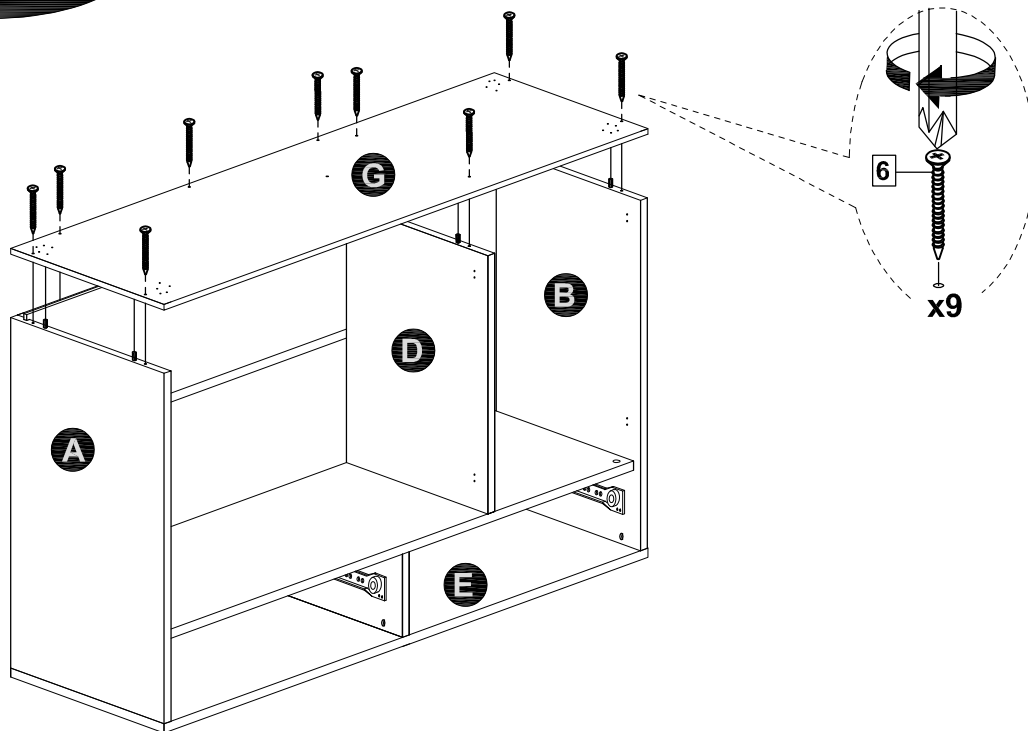
STEP 12



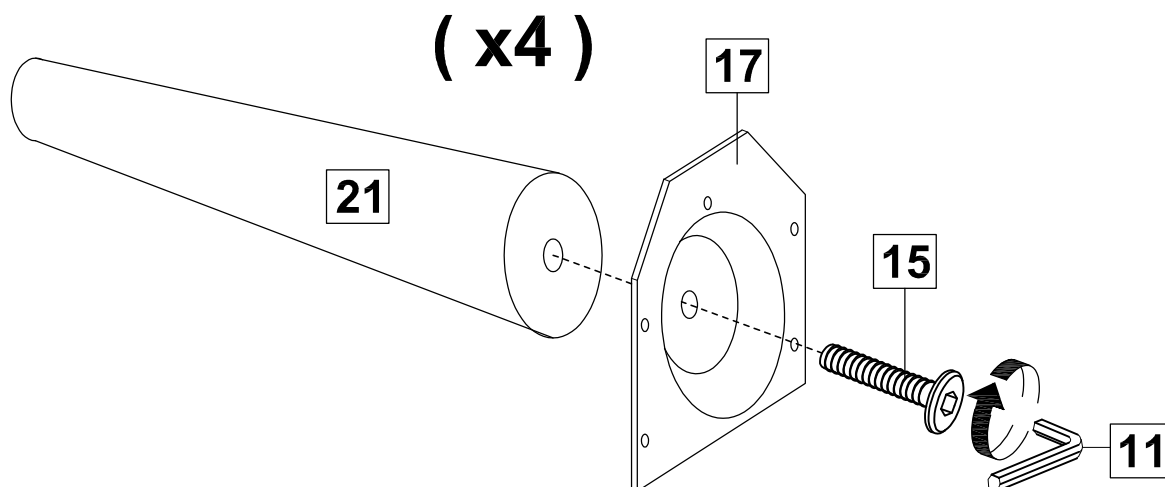
MODEL NAME:

CA 5712-00

STEP 13



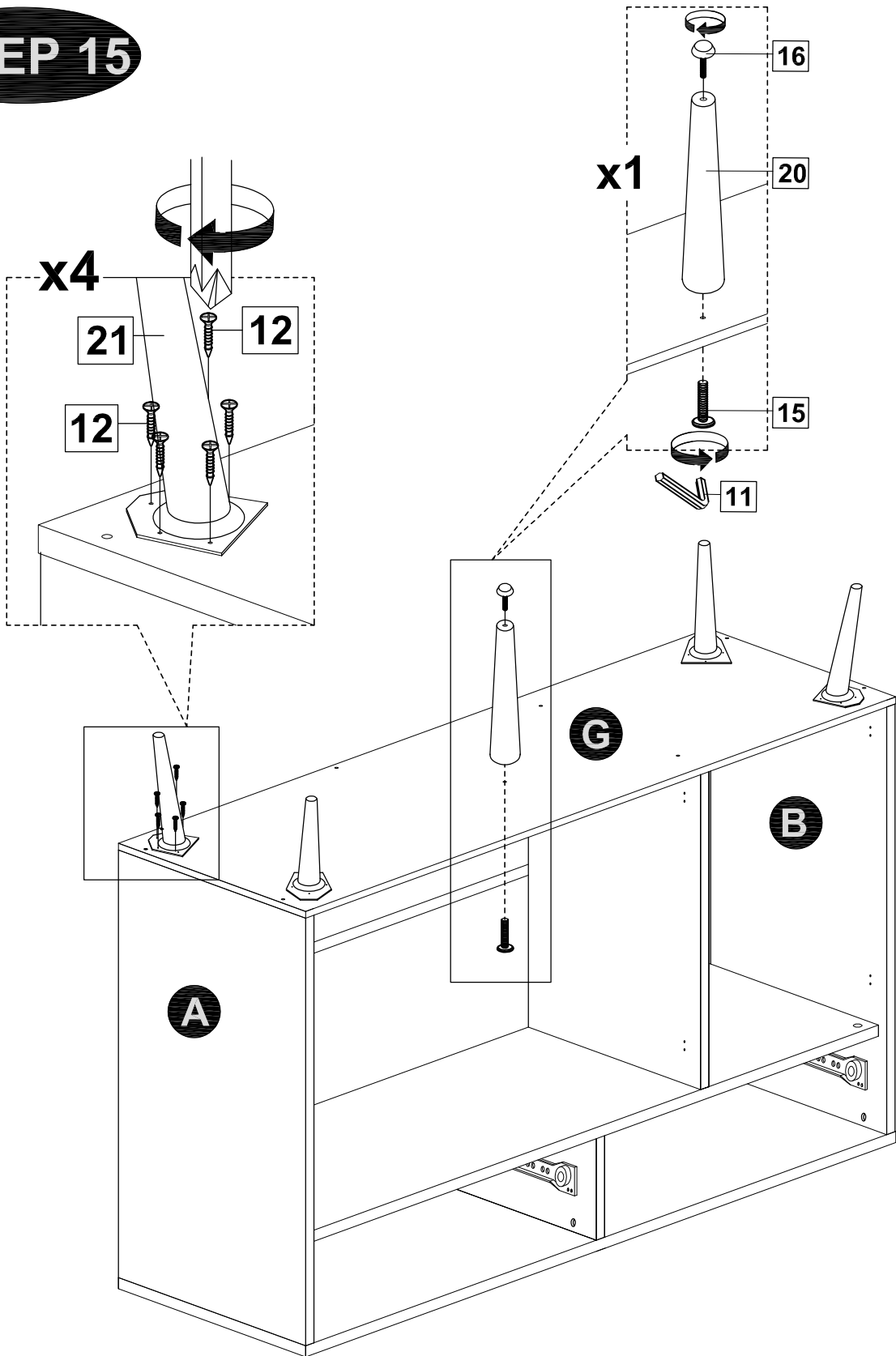
STEP 14



MODEL NAME:

CA 5712-00

STEP 15

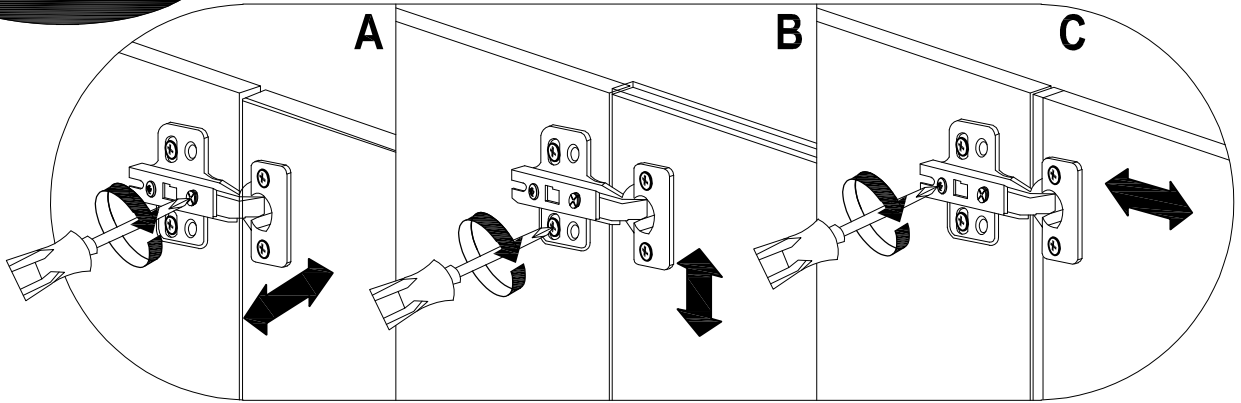


MODEL NAME:

CA 5712-00

STEP 16

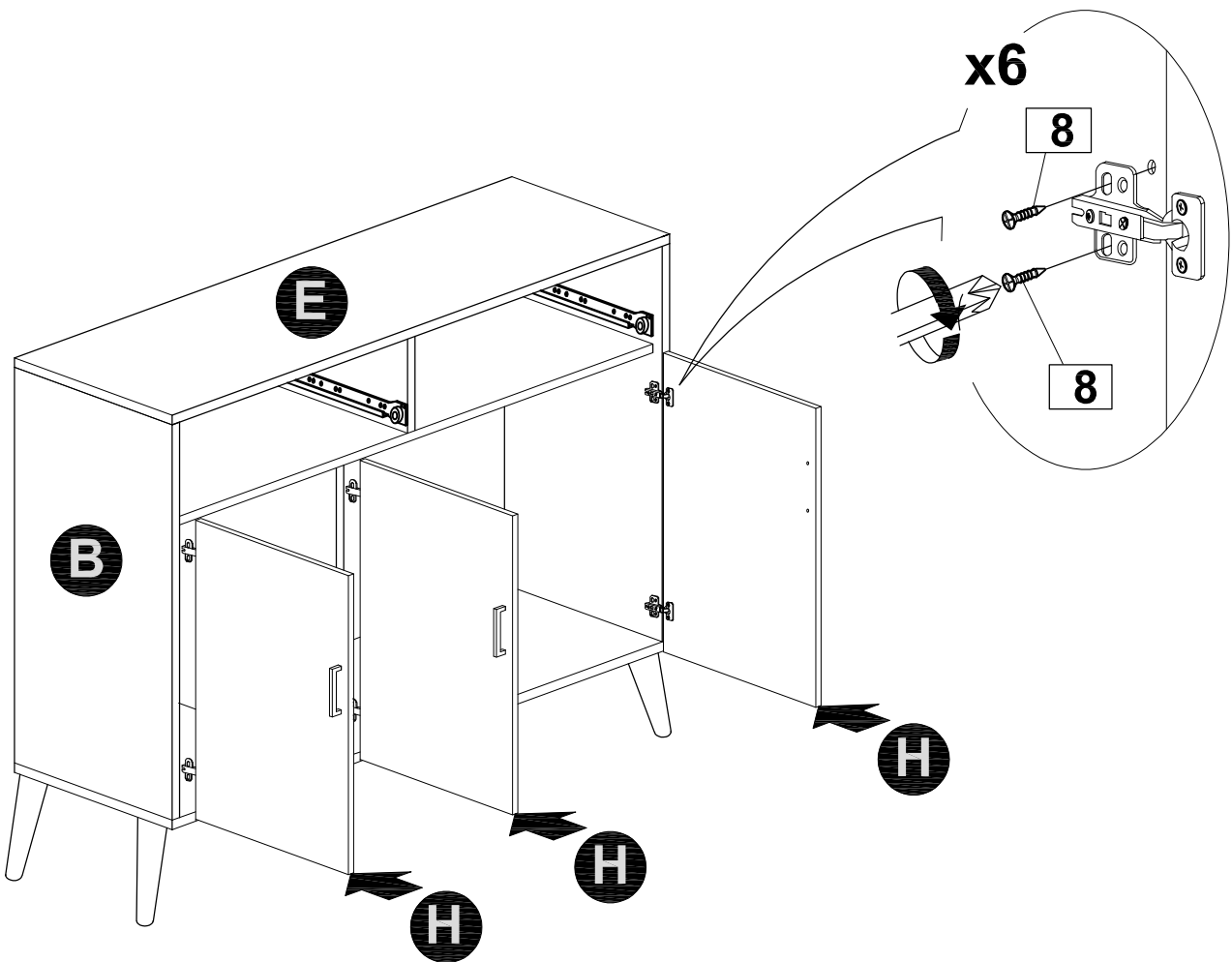
Hinges Adjustment Facilities



A.Lateral adjustment by screw adjusting

B.Vertical adjustment via slot in the mounting plate

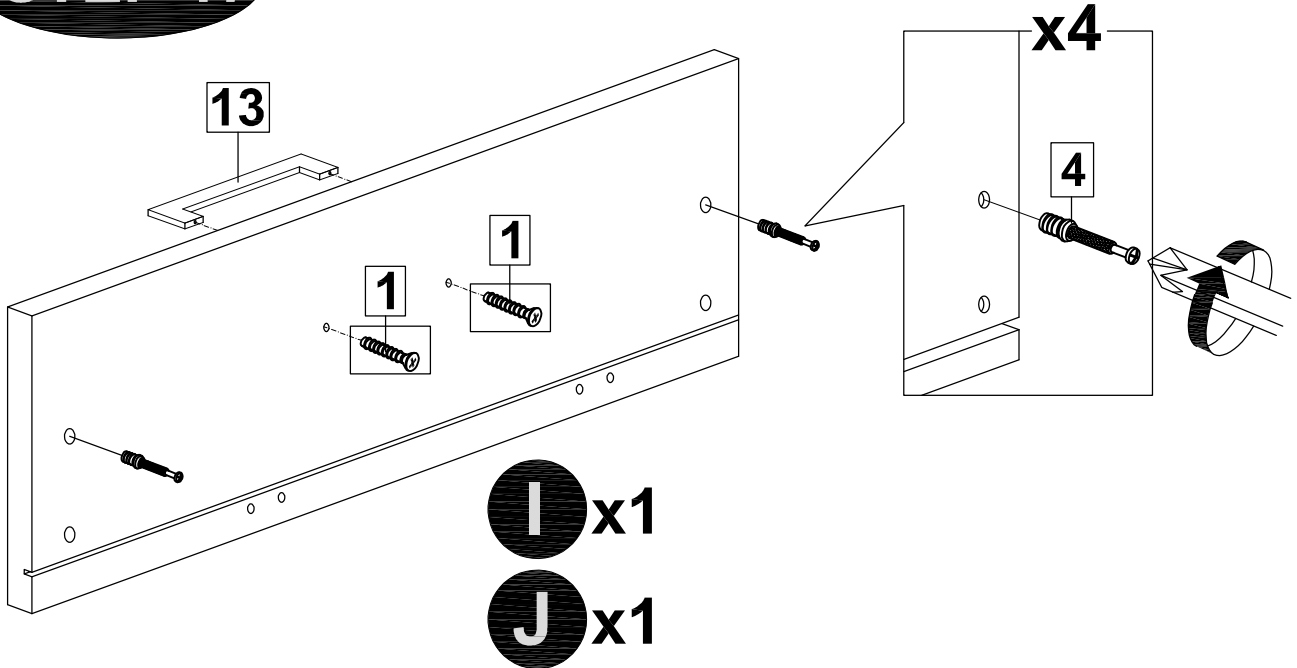
C.Front-to-Back by the slacking the hinge arm mounting screw



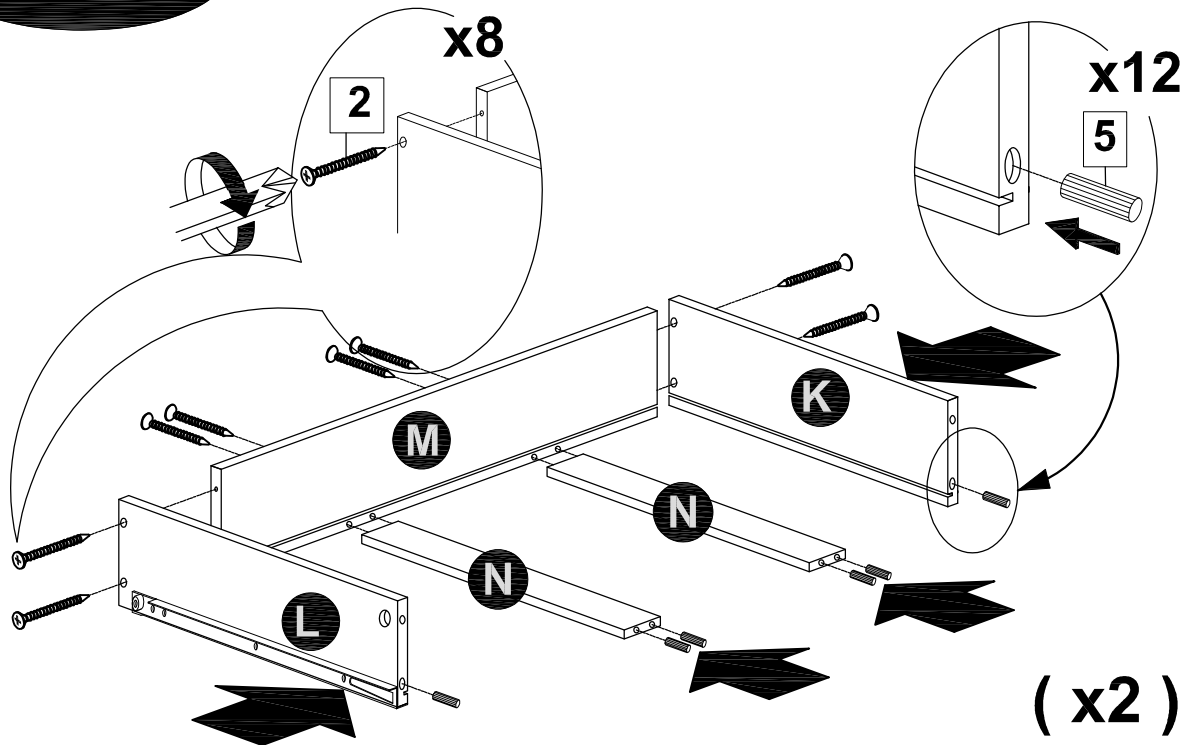
MODEL NAME:

CA 5712-00

STEP 17



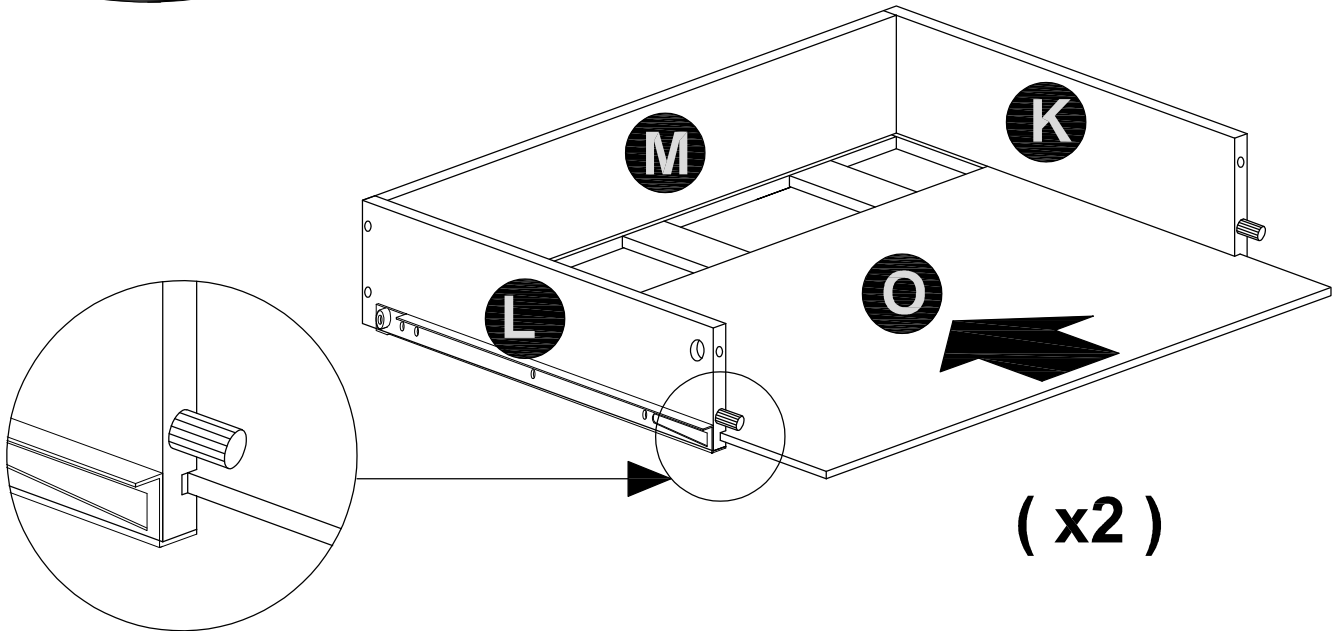
STEP 18



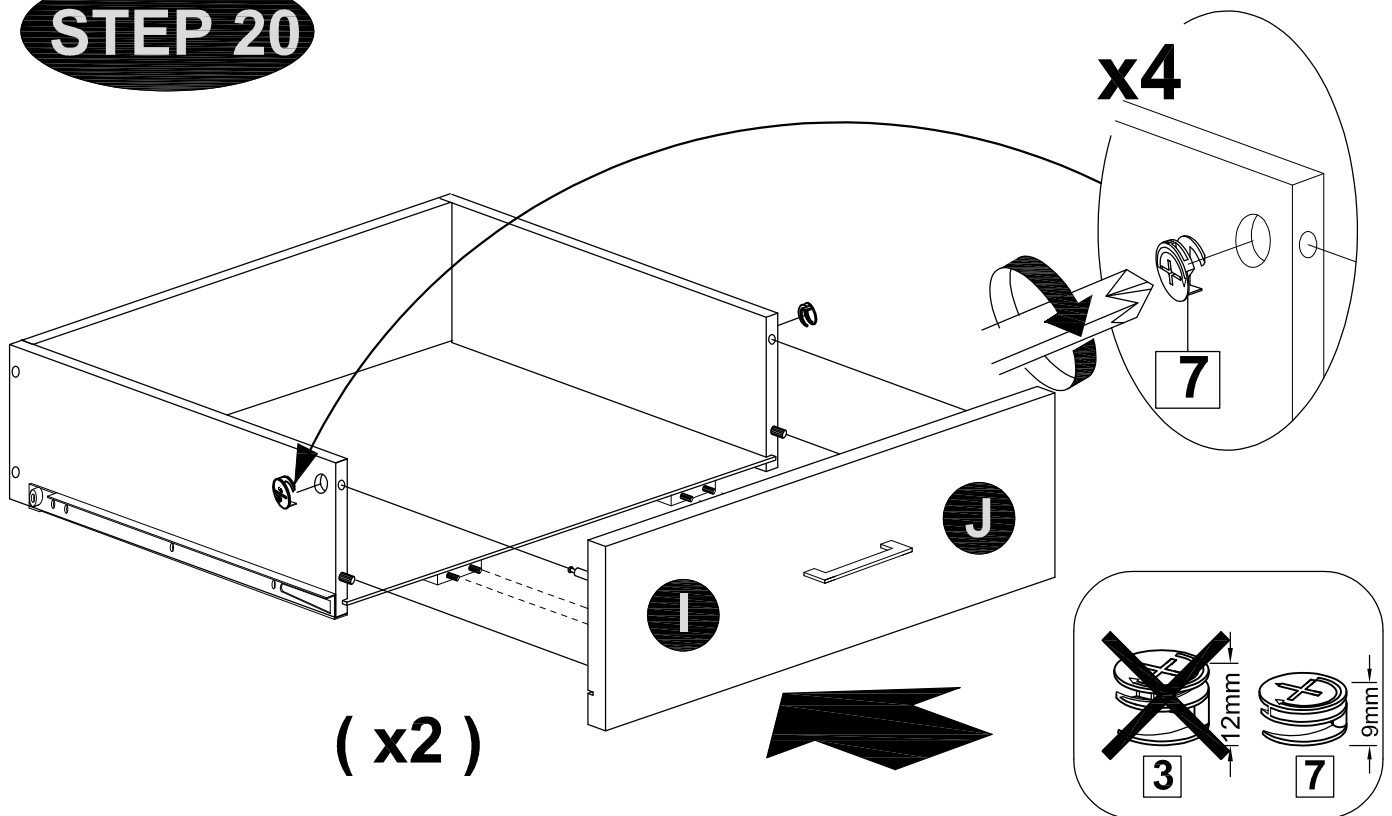
MODEL NAME:

CA 5712-00

STEP 19



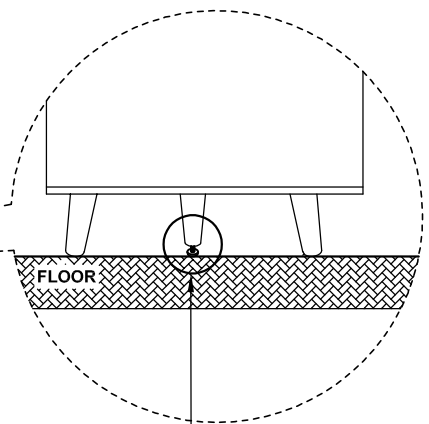
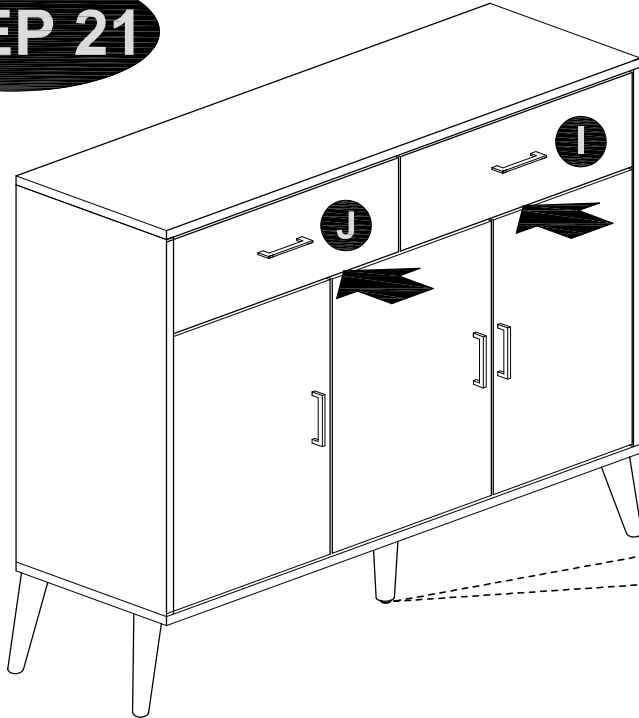
STEP 20



MODEL NAME:

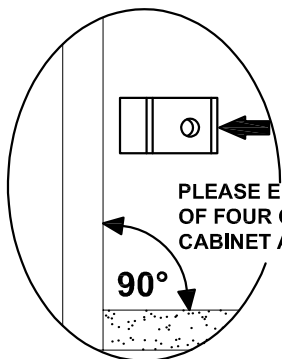
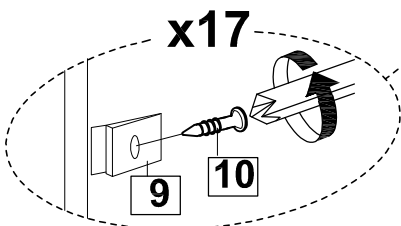
CA 5712-00

STEP 21

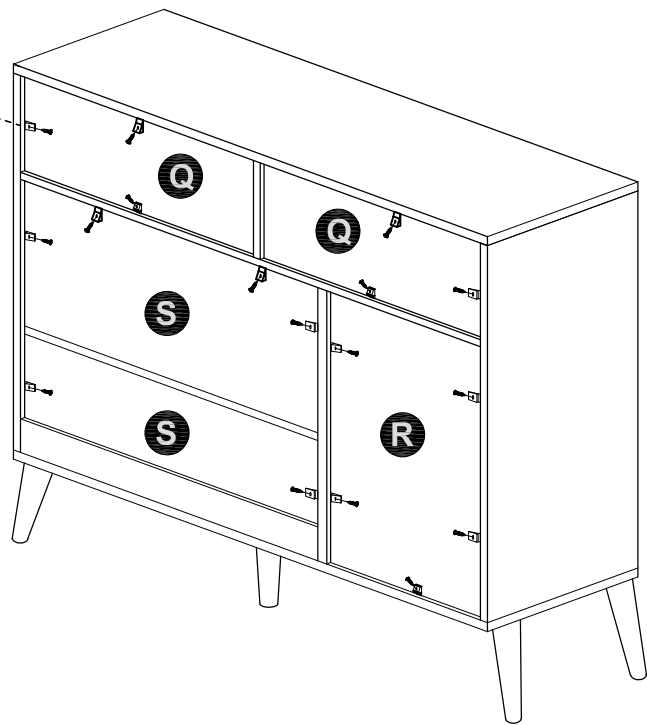


PLEASE ENSURE
ADJUST TO FLOOR LEVEL.

STEP 22



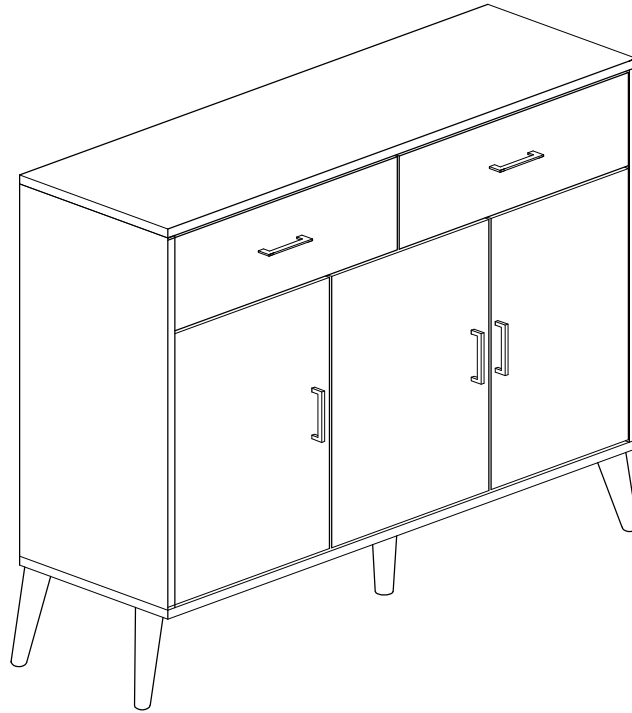
PLEASE ENSURE THAT EACH
OF FOUR CORNERS OF
CABINET ARE SQUARE



MODEL NAME:

CA 5712-00

STEP 23



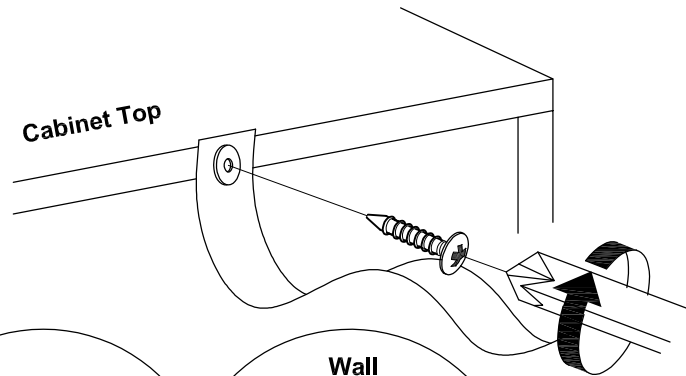
SAFETY WARNING :

It is recommended that you fit the anti-tip bracket to this item to avoid tipping and causing injury.

FITTING OF ANTI-TIP BRACKET

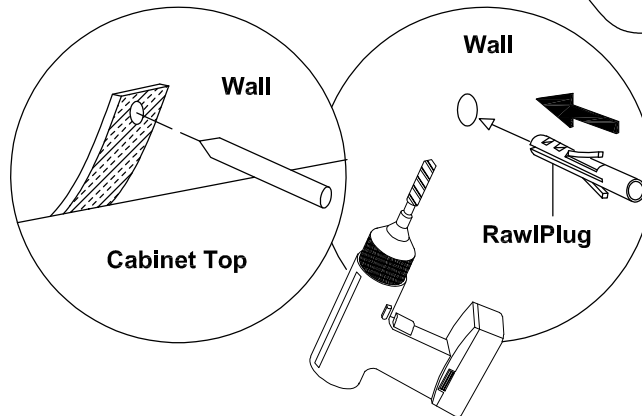
STEP 1 :

Insert screws through bracket into pre-drilled holes in cabinet.



STEP 2 :

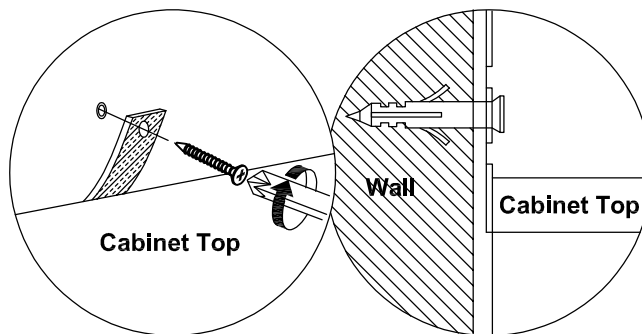
Make a mark on the wall through the bracket.



Drill a hole in the wall and insert the rawlplug.

STEP 3 :

Insert screw through bracket into hole in wall



NOTE : Wall fixings are not supplied with this product as different wall materials require different types of fixing devices (such as Rawl plugs on brick work). You must use fixing devices suitable for the type of wall you intend to mount this product to. Please ensure that the head of any screw used has a diameter greater than the diameter of the mounting hole on the bracket and that the fixing is safe and secure before use.

The screw supplied is to fix the anti-tip strap to the cabinet.

HARDWARE LIST



Anti-Tip Strap - 2pcs



M3.5 x 16MM - 2pcs