

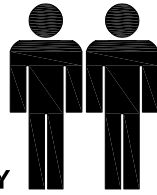
MODEL NAME:

BC 6289-01

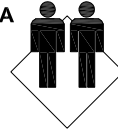
45min

APPROXIMATE ASSEMBLY TIME

2 PERSON OF ASSEMBLY

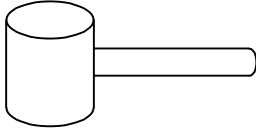


FLOOR AREA
1.5M X 1.0M

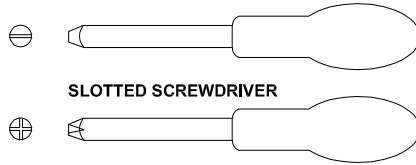


REQUIRED ASSEMBLY SPACE

REQUIRED ASSEMBLY TOOLS

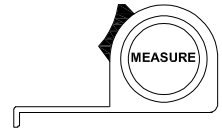


SOFT RUBBER HAMMER



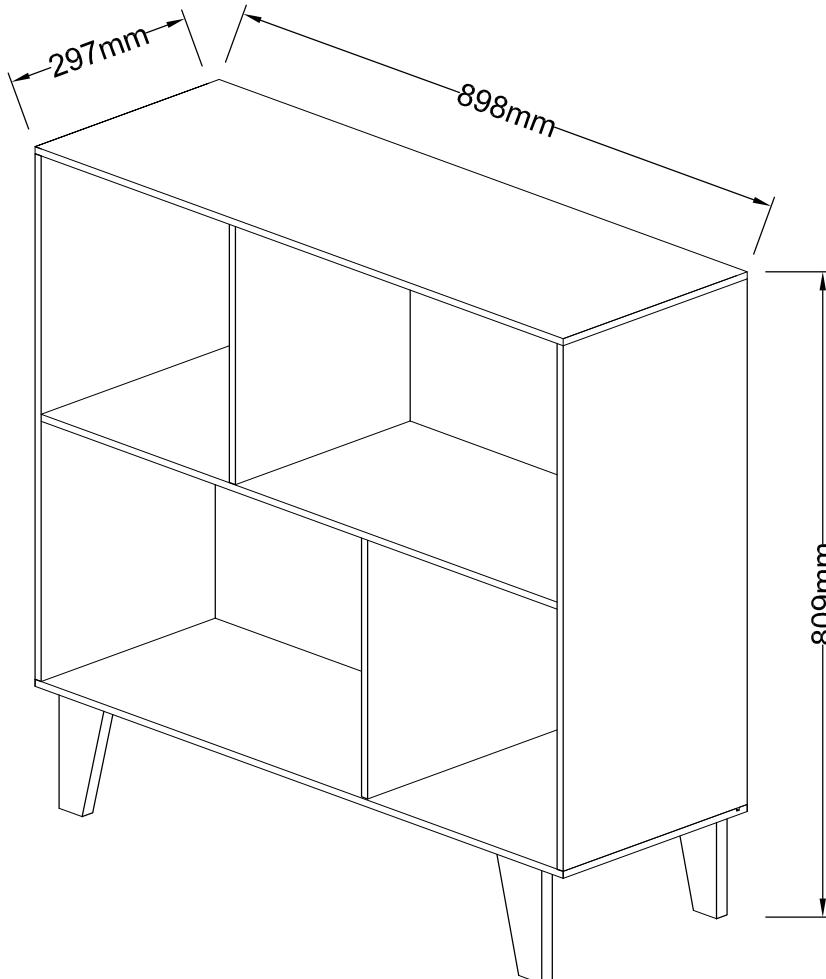
SLOTTED SCREWDRIVER

POZI SCREWDRIVER



MEASURING TAPE

ASSEMBLED DIMENSIONS



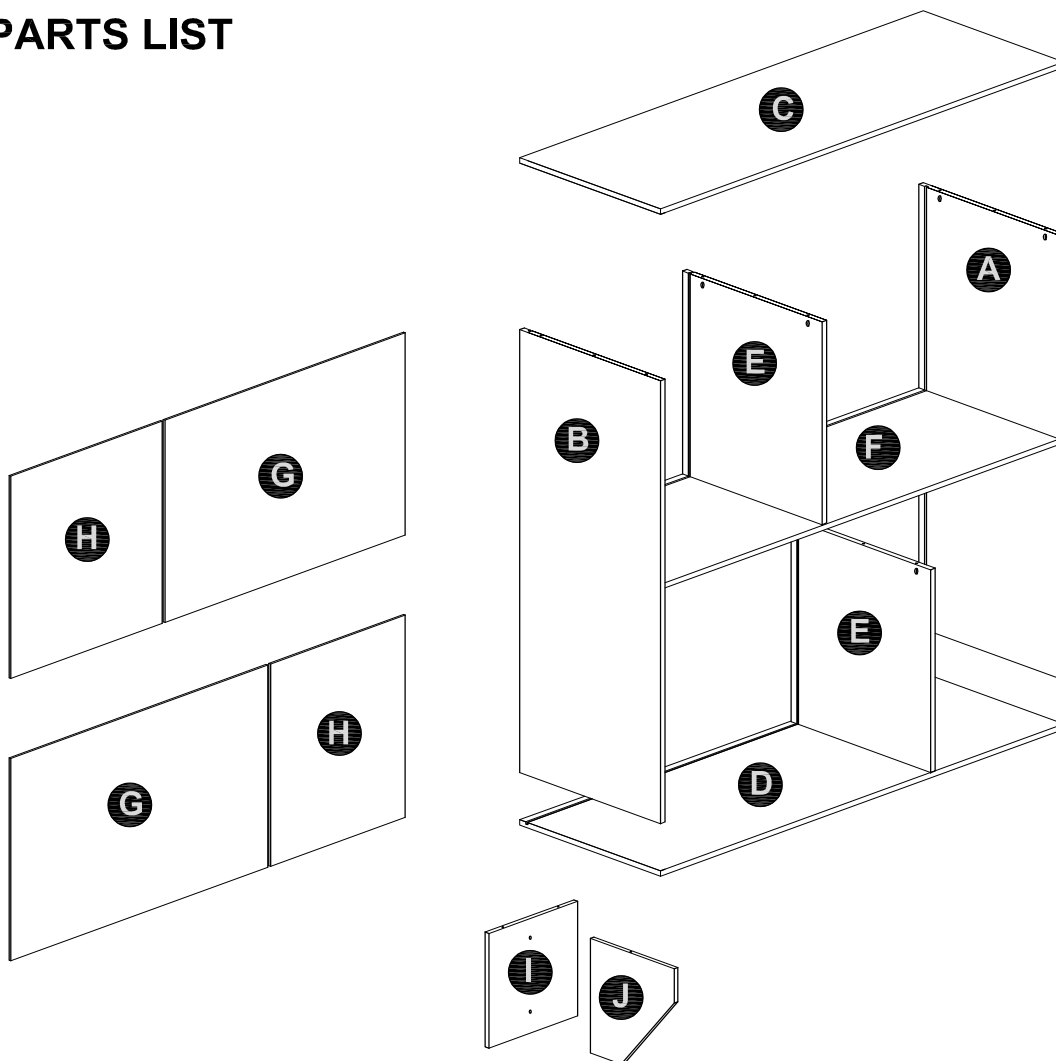
NOTE : THE MAXIMUM WEIGHT THIS PRODUCT CAN HOLD UP TO 25 KGS.

MODEL NAME:

BC 6289-01

NO.	PART LIST	QTY
(A)	RIGHT SIDE PANEL	1
(B)	LEFT SIDE PANEL	1
(C)	TOP PANEL	1
(D)	BOTTOM PANEL	1
(E)	CENTRE PANEL	2
(F)	FIXED SHELF	1
(G)	BACK PANEL -A	2
(H)	BACK PANEL -B	2
(I)	BOTTOM SUPPORT-A	1
(J)	BOTTOM SUPPORT-B	1

PARTS LIST

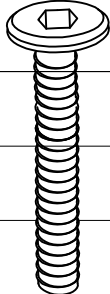


MODEL NAME:

BC 6289-01

HARDWARE LIST

4cm
3cm
2cm
1cm
0cm



4X

M6 x 30mm

1

ALLEN HEAD
BOLT

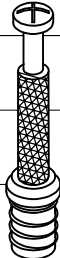


15X

Dia.27mm

2

STICKER
COVER

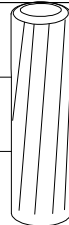


12X

M6.5

3

QUICKFIT

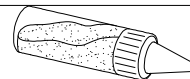


14X

Dia.6 x 30mm

4

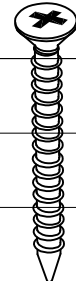
WOOD
DOWEL



1X

5

GLUE 10CC



13X

M8 x 38mm

6

FLAT HEAD
SCREW

3cm
2cm
1cm
0cm

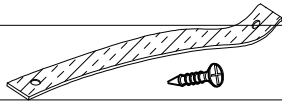


1X

M4

7

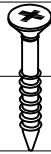
ALLEN KEY



2X

8

ANTI TIP
STRAP

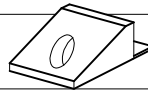


12X

M3 x 20mm

9

FLAT HEAD
SCREW



12X

10

BACKPLY
STOPPER

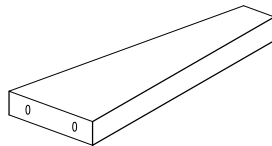


12X

Dia.15mm

11

CAMLOCK



4X

180 x 70 x 28MM

12

LEG

MODEL NAME:

BC 6289-01

Top Tips before you start!

1. Please check that all parts are present before you start the assembly of your furniture.
2. For ease and speed of assembly, we recommend that before you commence each step of the assembly, that you identify all the parts required for that step.
3. For larger items, please ensure that you have sufficient space and people (as indicated on page 1) to assemble your product safely
4. We recommend that, where possible, all items are assembled near to the area in which they will be placed in use, to avoid moving the product unnecessarily once assembled.
5. For the protection of your furniture, we recommend that the product is placed on a protected surface during assembly to prevent any damage.
6. During assembly please take care not to over-tighten any fittings, as this may damage the product.
7. Always place the product on a flat, steady and stable surface.
8. Do not sit or stand on the product. Do not use the product as a stepladder.
9. This product is intended for indoor, household use only as it is non industrial product.
10. This product is constructed from re-inforced hollow board. Excessive pressure causes irreparable damage. Please do not kneel on any part of this product during assembly.

Care and Maintenance of your Furniture

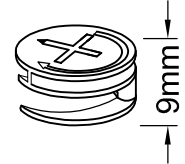
- Please periodically check all fittings and re-tighten as necessary.
- To clean your item, please use a damp cloth and wipe clean.
- Never allow any kind of liquid to remain on your furniture. Absorption can cause wood to warp or finishes to de-laminate.
- Please do not place hot items (e.g. hot drinks) directly on to the wood surface.
- Please do not drag and pull your furniture.

MODEL NAME:

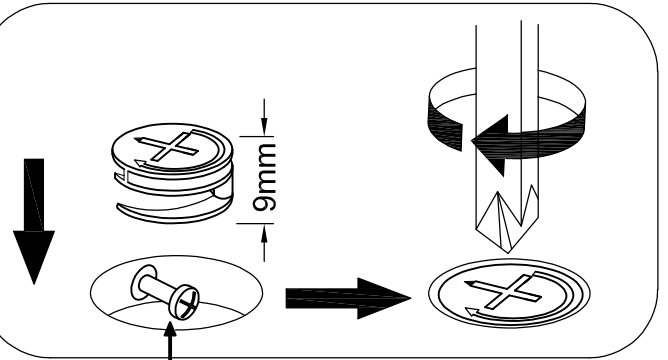
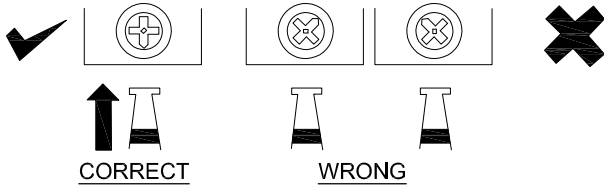
BC 6289-01

SPECIAL TIPS FOR FITTING CAM-LOCKS AND QUICKFIT

CAM-LOCK



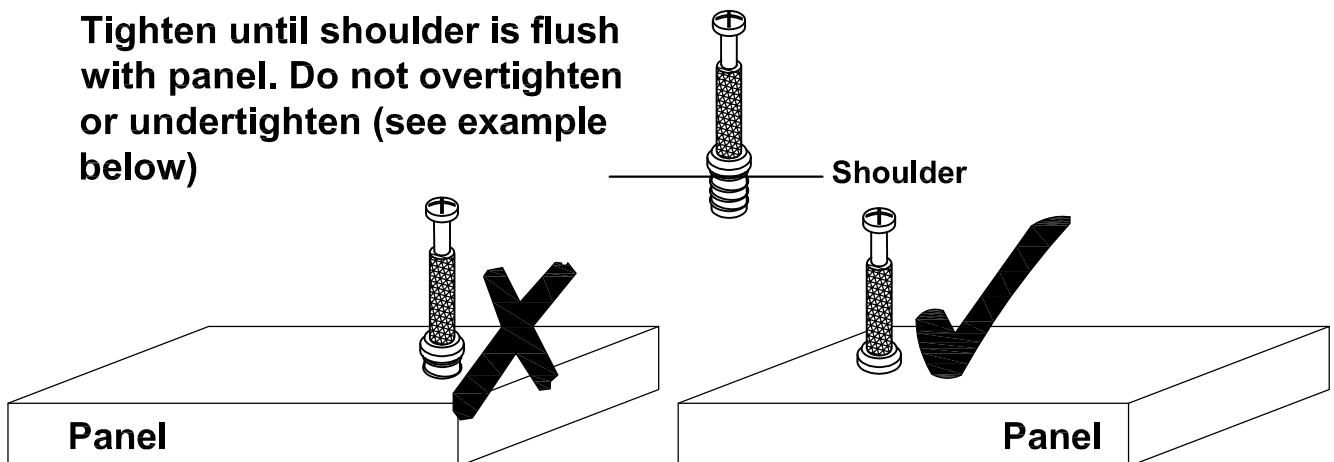
WHEN FITTING CAMLOCK
ENSURE STARTING POSITION IS CORRECT
BEFORE YOU INSERT CONNECTING QUICKFIT
TURN CLOCKWISE UNTIL SECURE



Quickfit head needs to be in centre

CAM BOLT

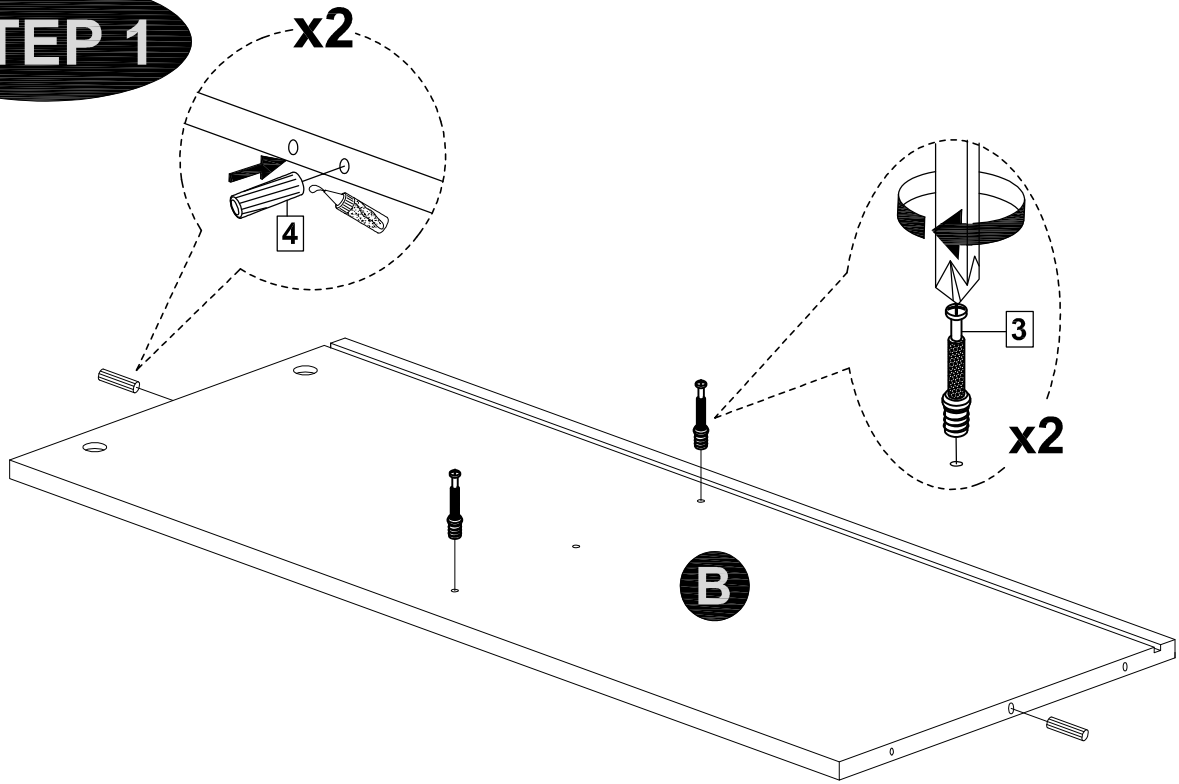
Tighten until shoulder is flush with panel. Do not overtighten or undertighten (see example below)



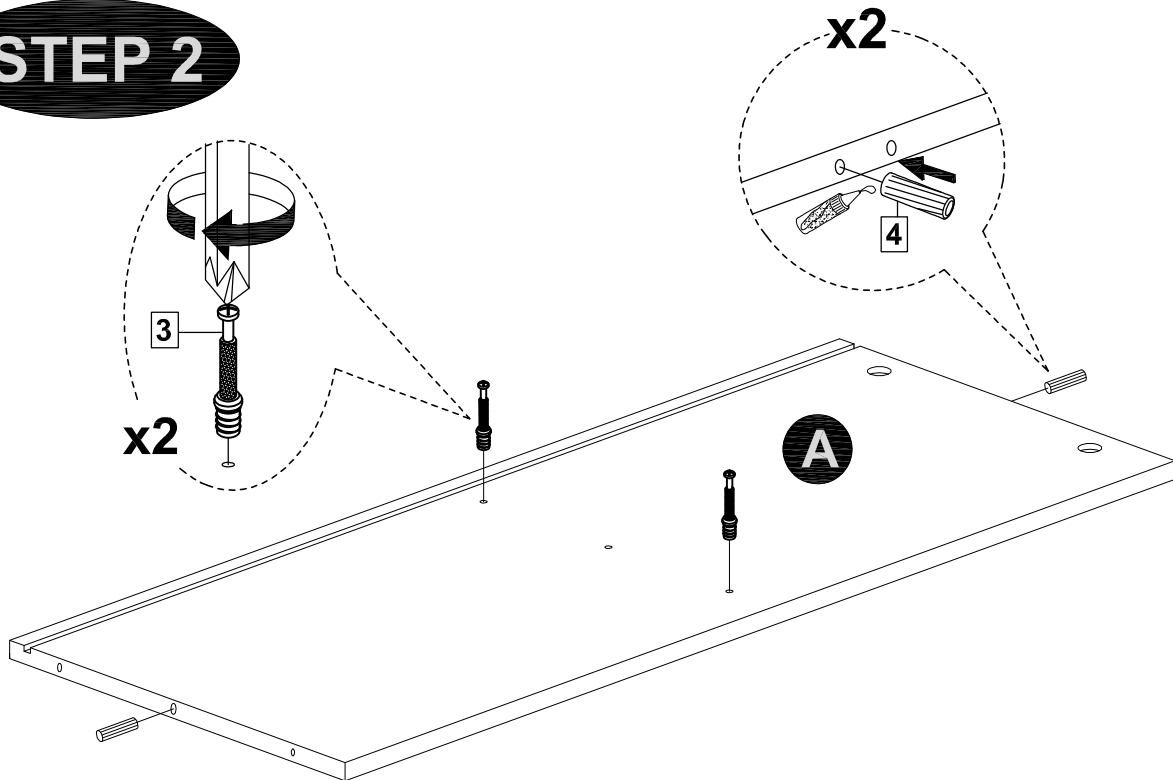
MODEL NAME:

BC 6289-01

STEP 1



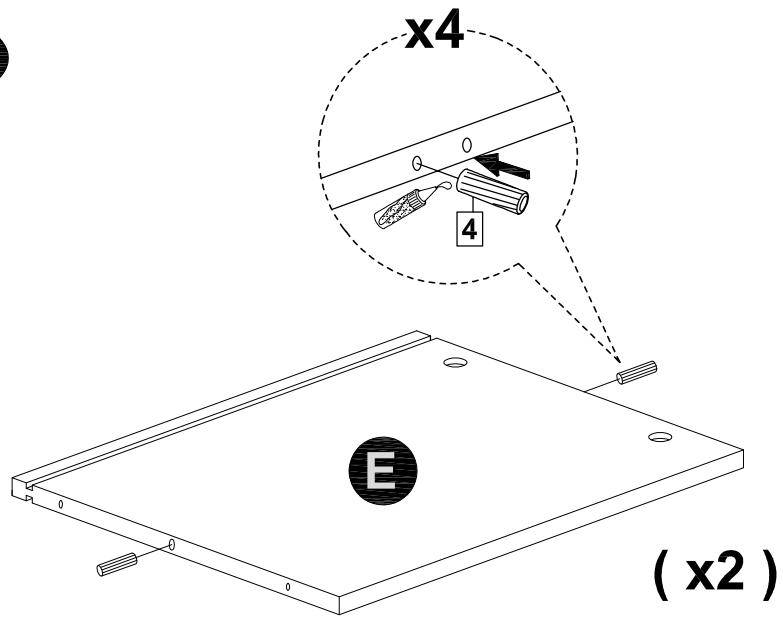
STEP 2



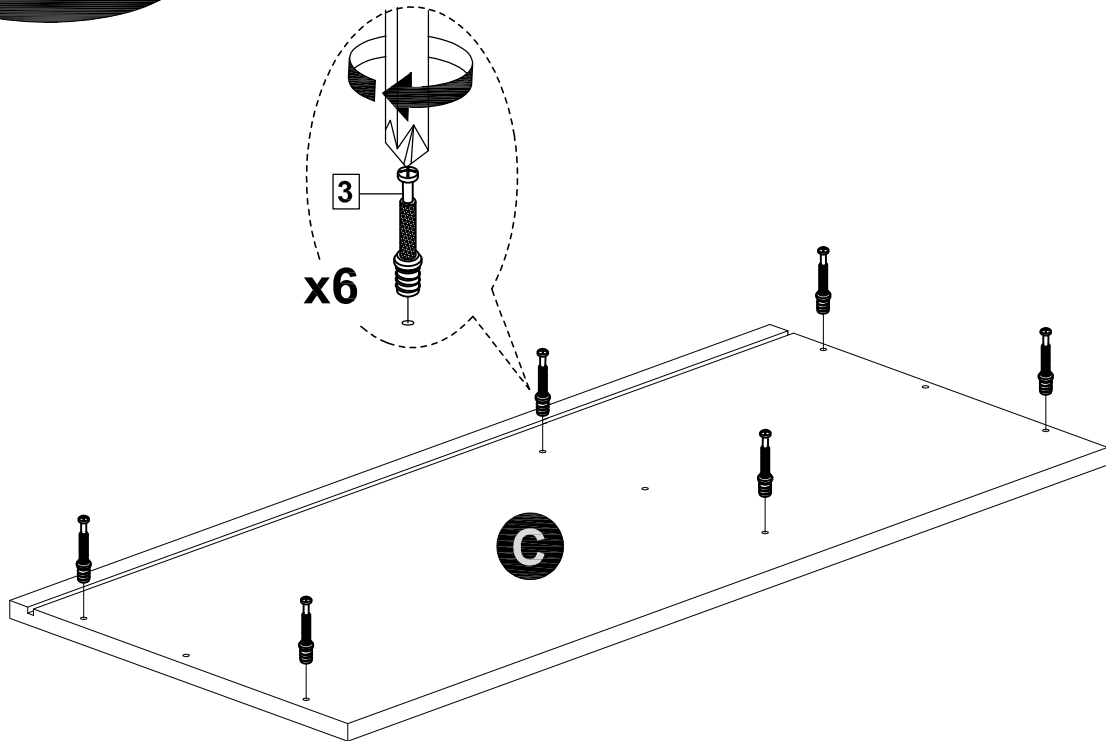
MODEL NAME:

BC 6289-01

STEP 3



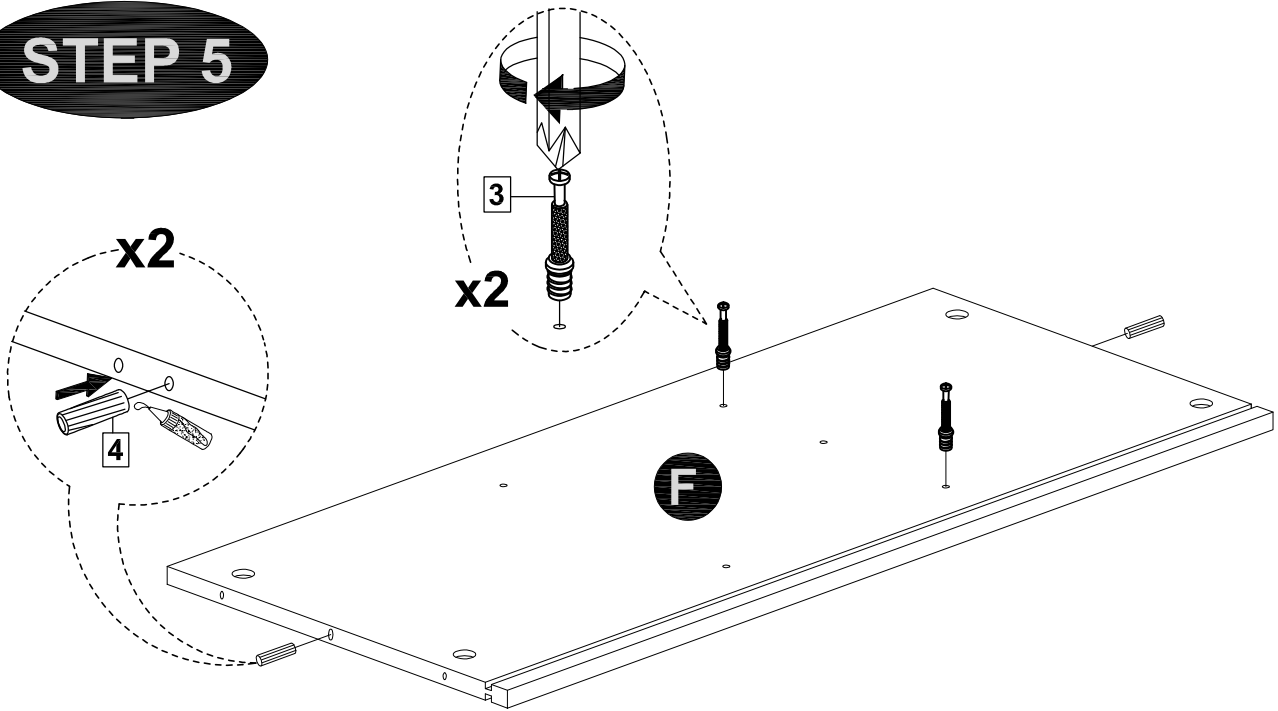
STEP 4



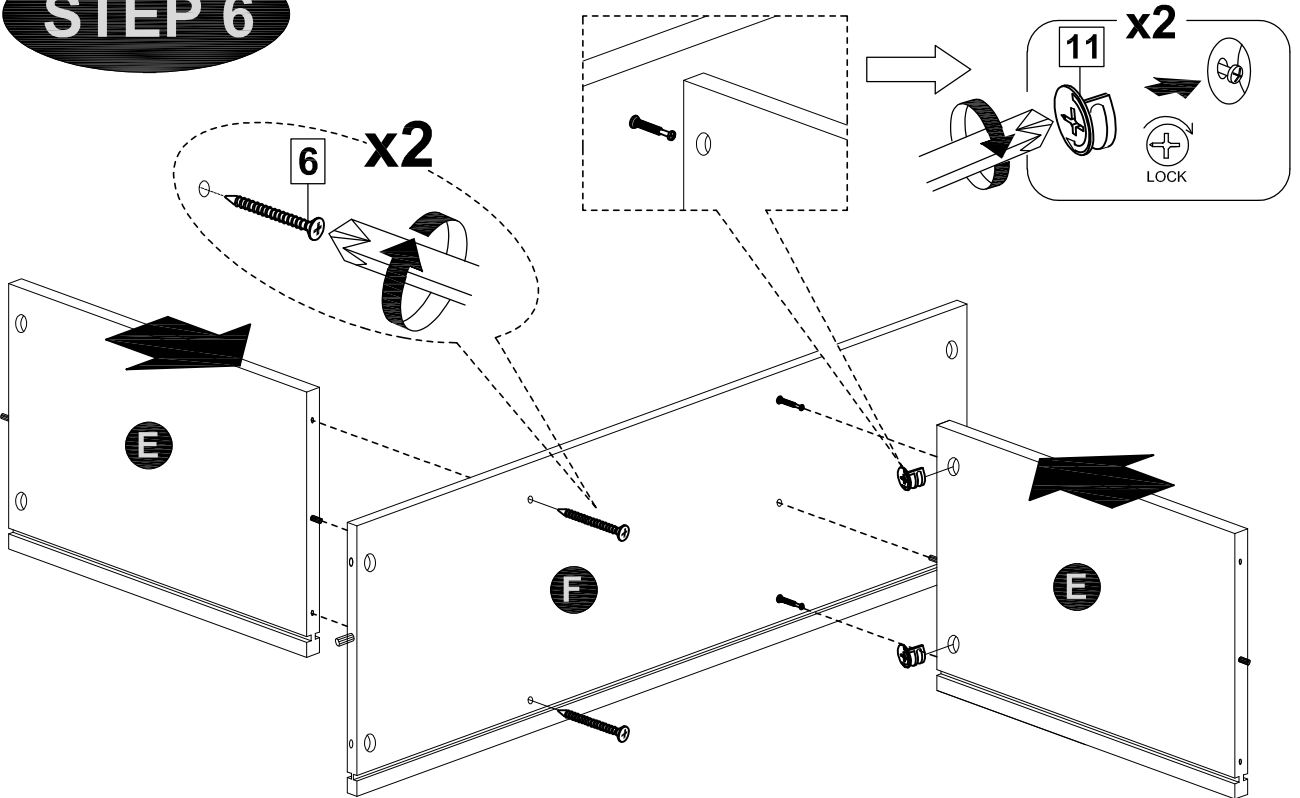
MODEL NAME:

BC 6289-01

STEP 5



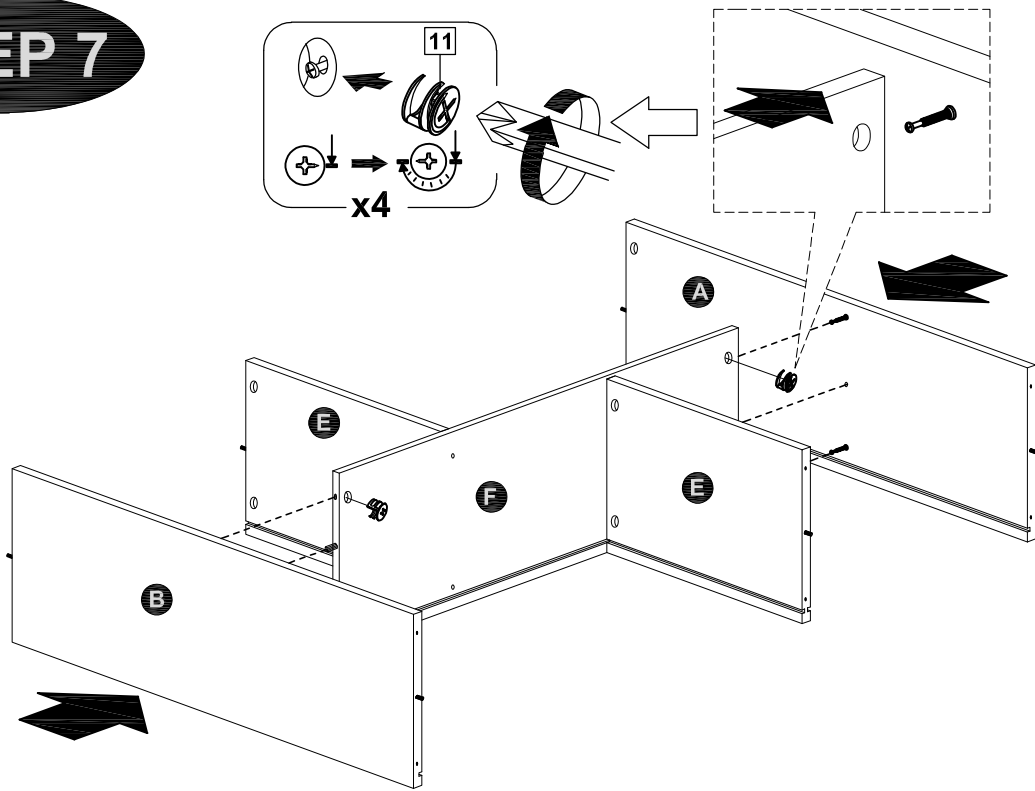
STEP 6



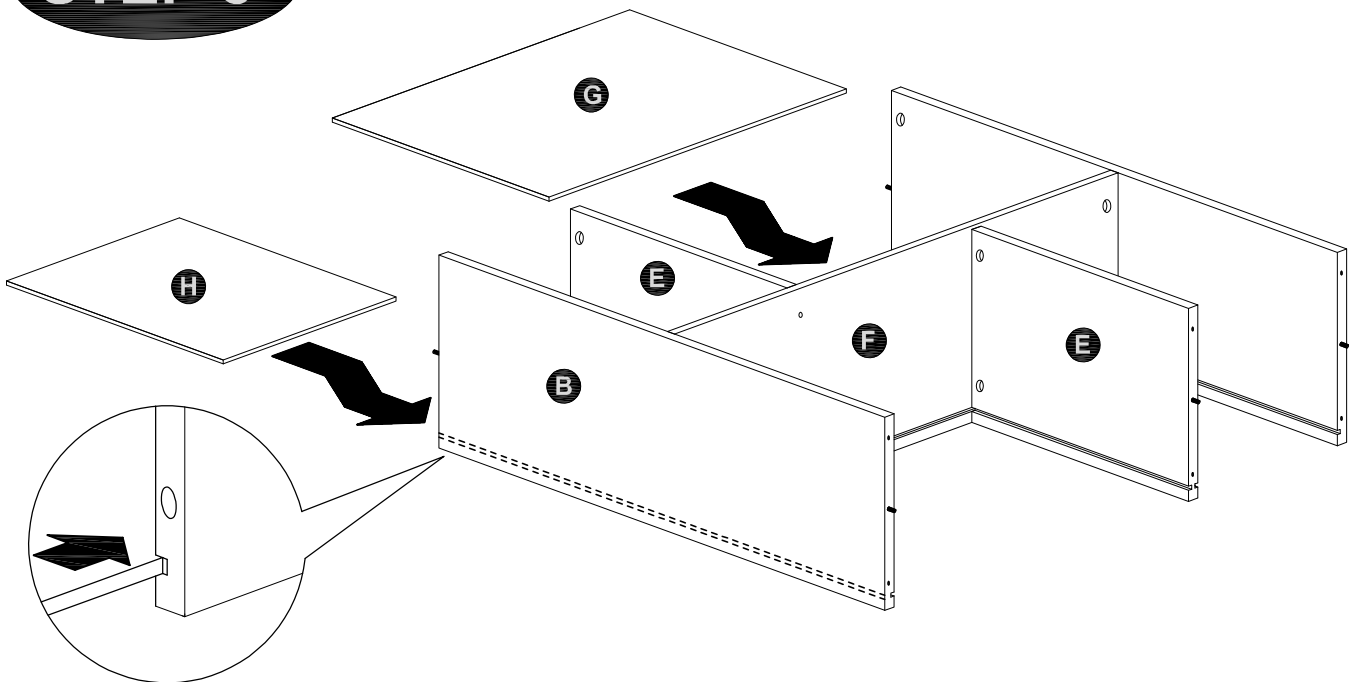
MODEL NAME:

BC 6289-01

STEP 7



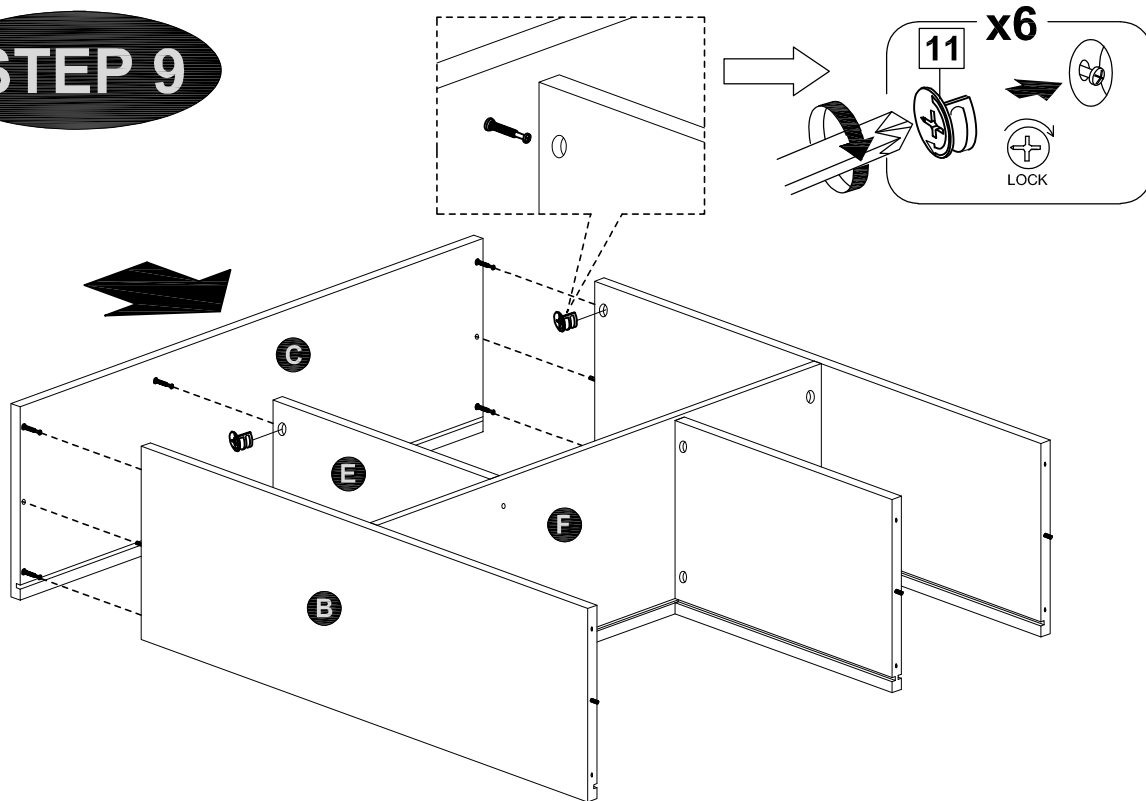
STEP 8



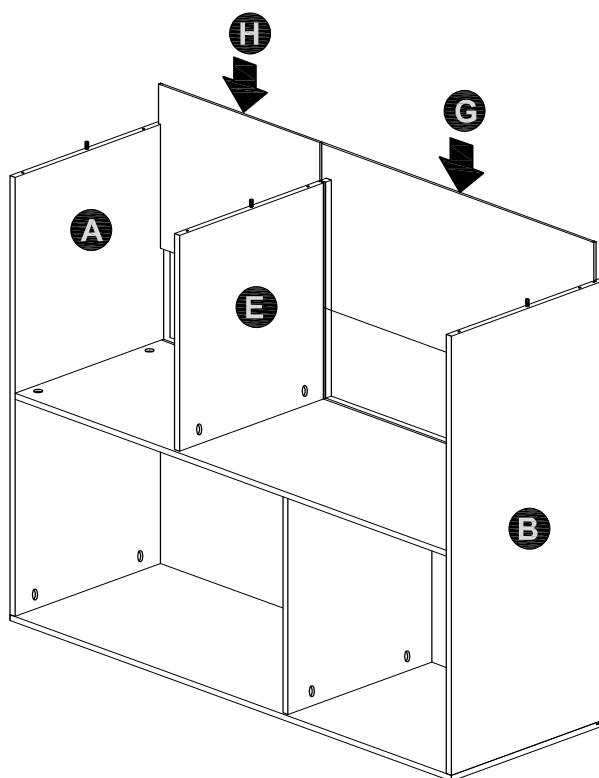
MODEL NAME:

BC 6289-01

STEP 9



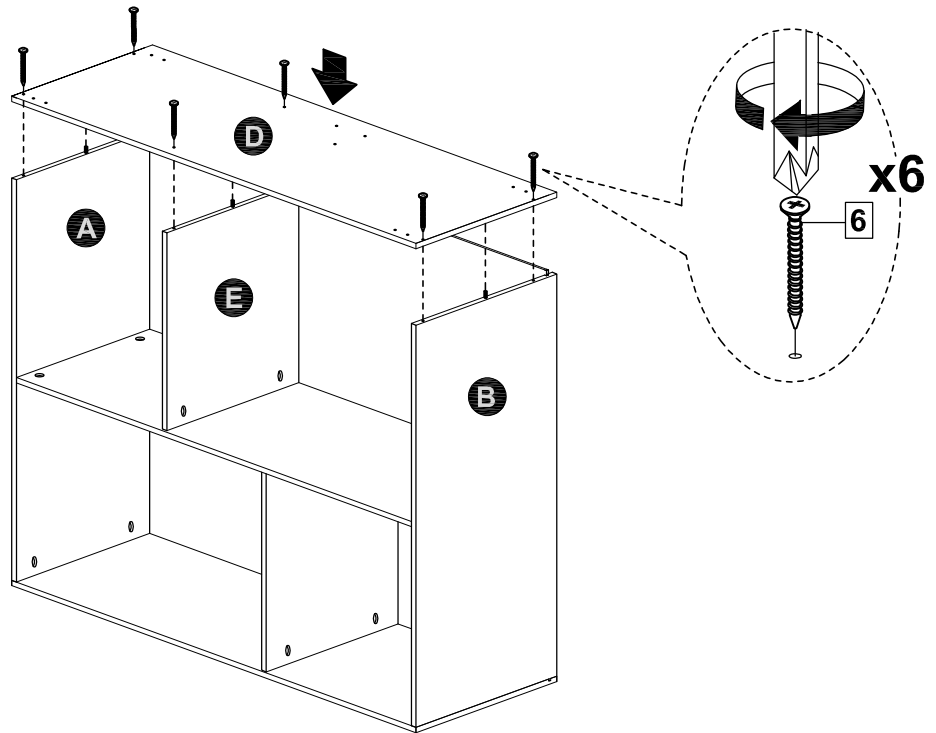
STEP 10



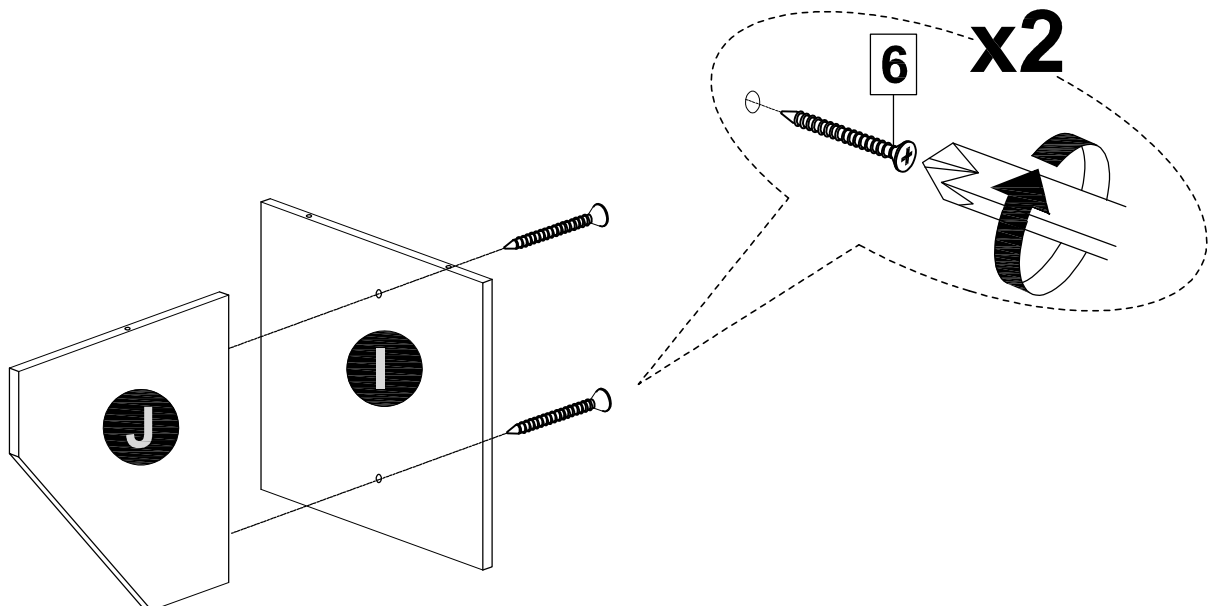
MODEL NAME:

BC 6289-01

STEP 11



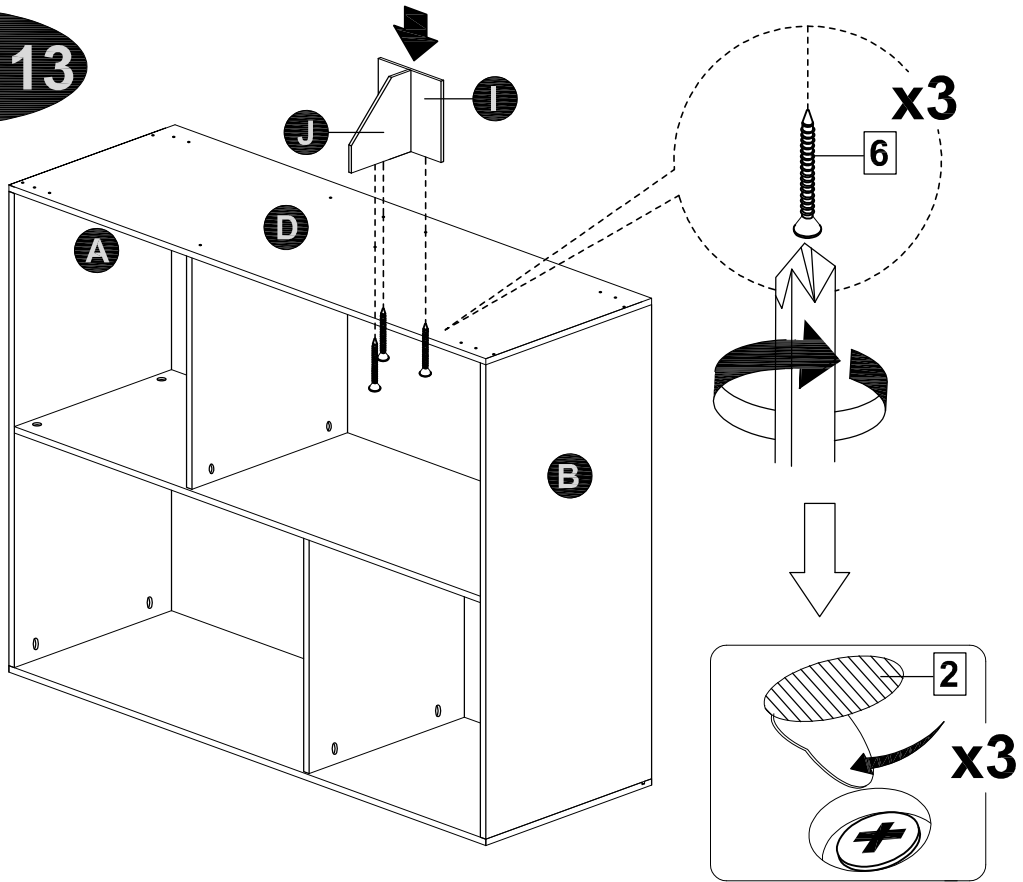
STEP 12



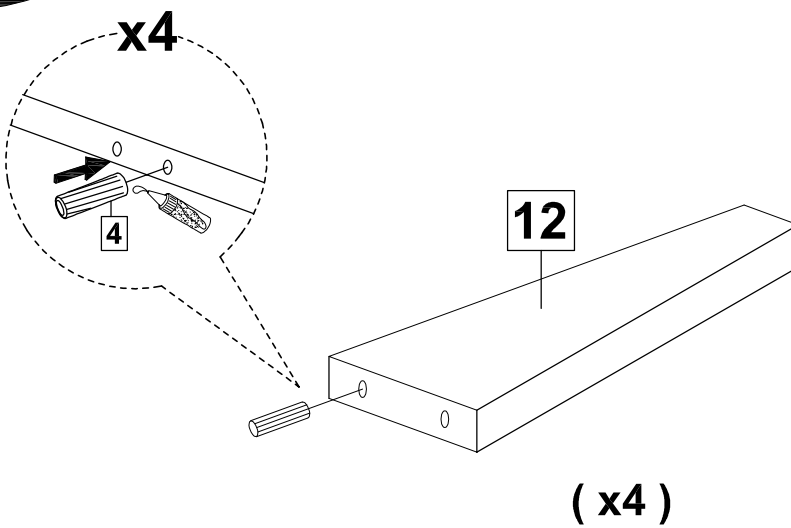
MODEL NAME:

BC 6289-01

STEP 13



STEP 14

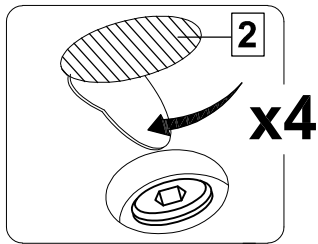
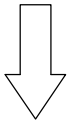
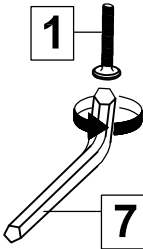


MODEL NAME:

BC 6289-01

STEP 15

x4

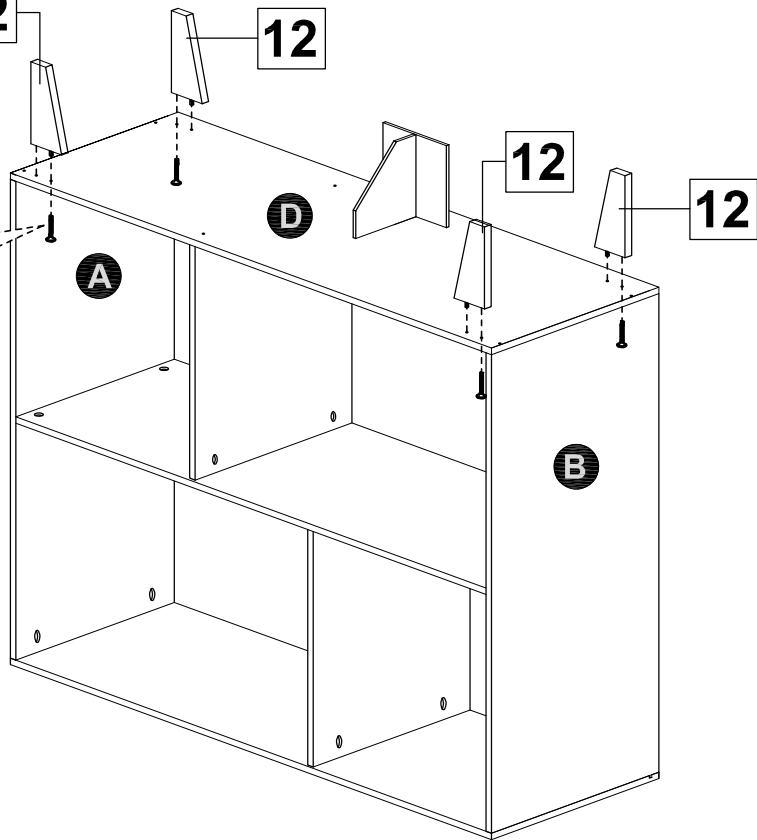


12

12

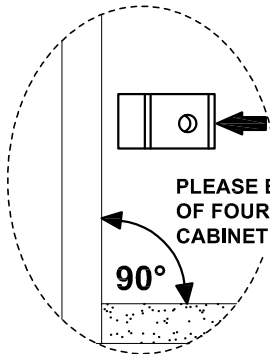
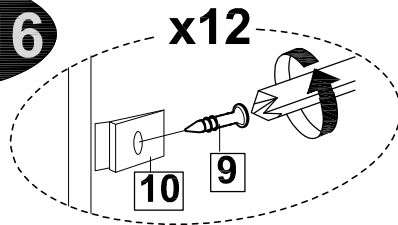
12

12



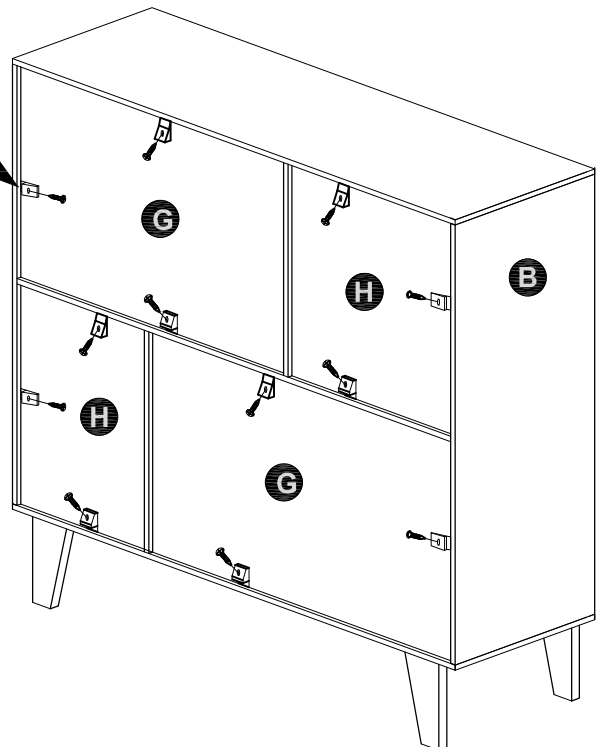
STEP 16

x12



PLEASE ENSURE THAT EACH OF FOUR CORNERS OF CABINET ARE SQUARE

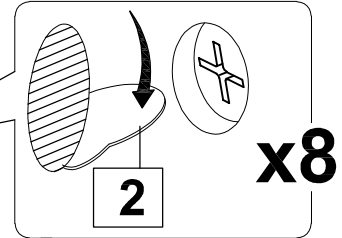
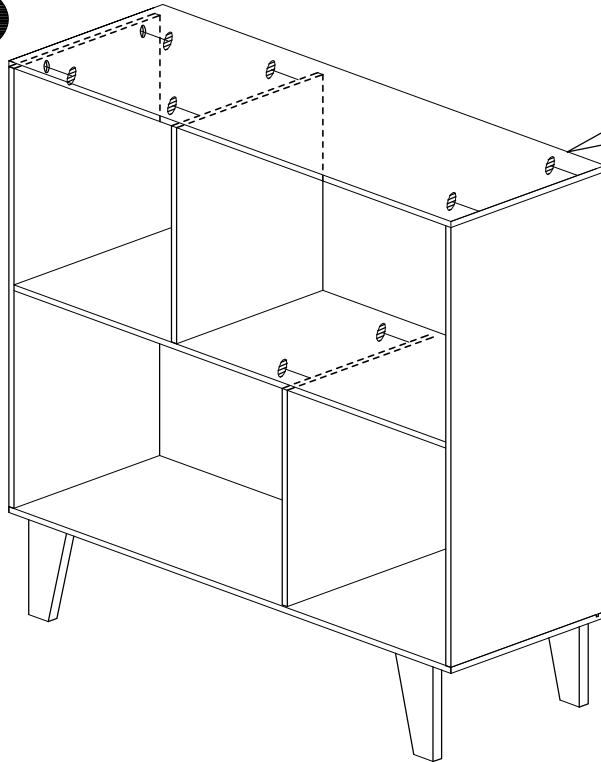
90°



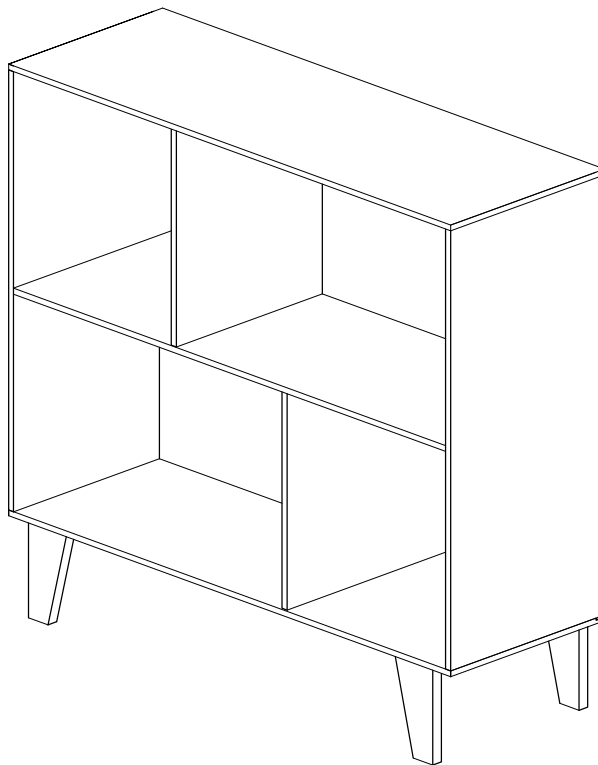
MODEL NAME:

BC 6289-01

STEP 17



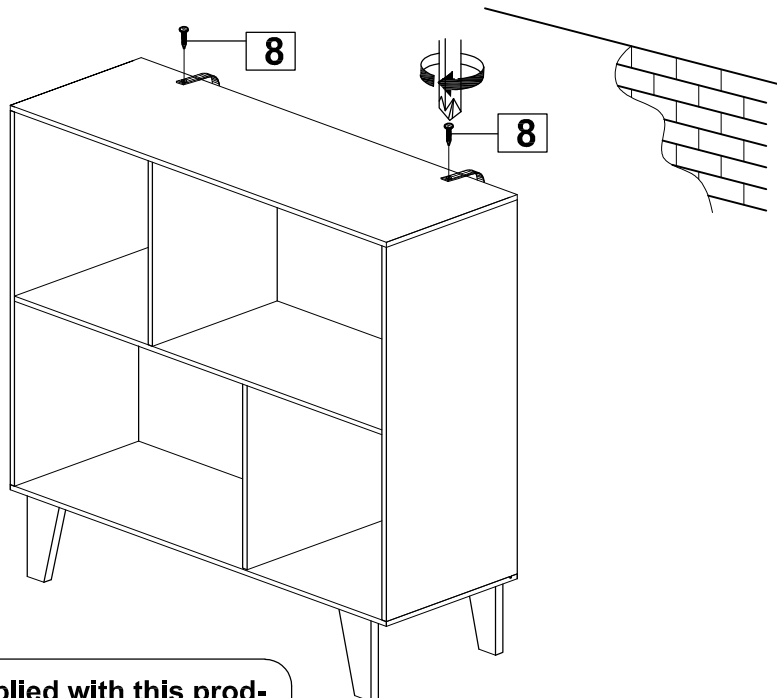
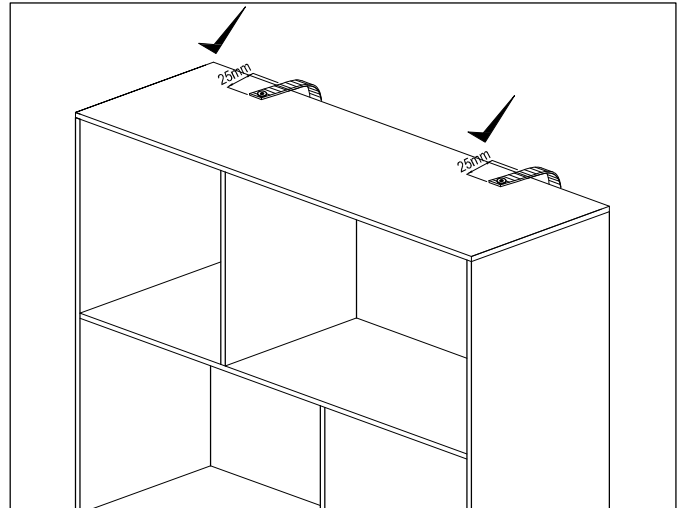
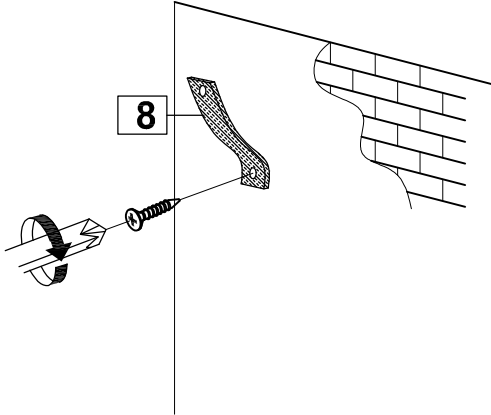
STEP 18



MODEL NAME :

It is recommended that you fit the anti-tip bracket to this item to avoid tipping and causing injury.

FITTING OF ANTI-TIP BRACKET



NOTE : Wall fixings are not supplied with this product as different wall materials require different types of fixing devices (such as Rawl plugs on brick work). You must use fixing devices suitable for the type of wall you intend to mount this product to. Please ensure that the head of any screw used as a diameter greater than the diameter of the mounting hole on the bracket and that the fixing is safe and secure before use.

The screw supplied is to fix the anti-tip strap to the cabinet.

HARDWARE LIST



Anti-Tip Strap - 2pcs



M3.5 x 12MM - 2pcs