

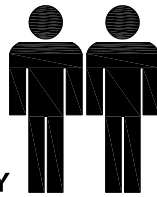
MODEL NAME:

BC 6289-00

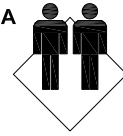
1.0hr

APPROXIMATE ASSEMBLY TIME

2 PERSON OF ASSEMBLY

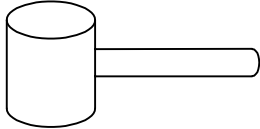


FLOOR AREA
1.5M X 1.0M

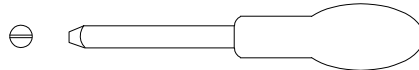


REQUIRED ASSEMBLY SPACE

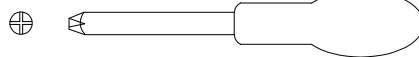
REQUIRED ASSEMBLY TOOLS



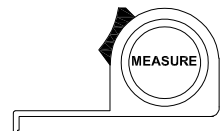
SOFT RUBBER HAMMER



SLOTTED SCREWDRIVER

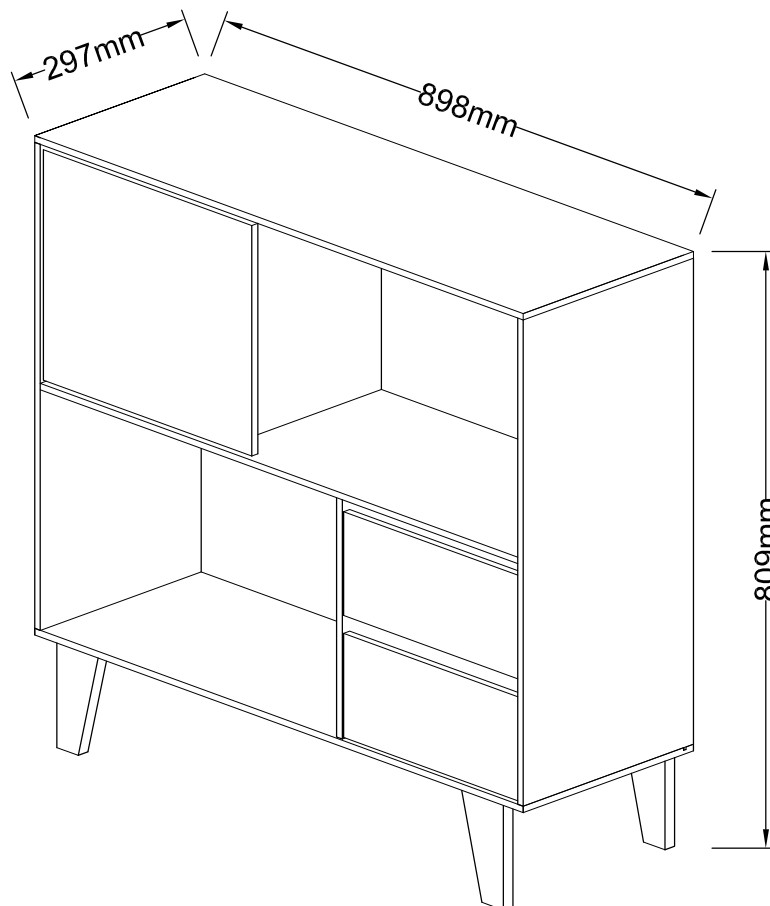


POZI SCREWDRIVER



MEASURING TAPE

ASSEMBLED DIMENSIONS



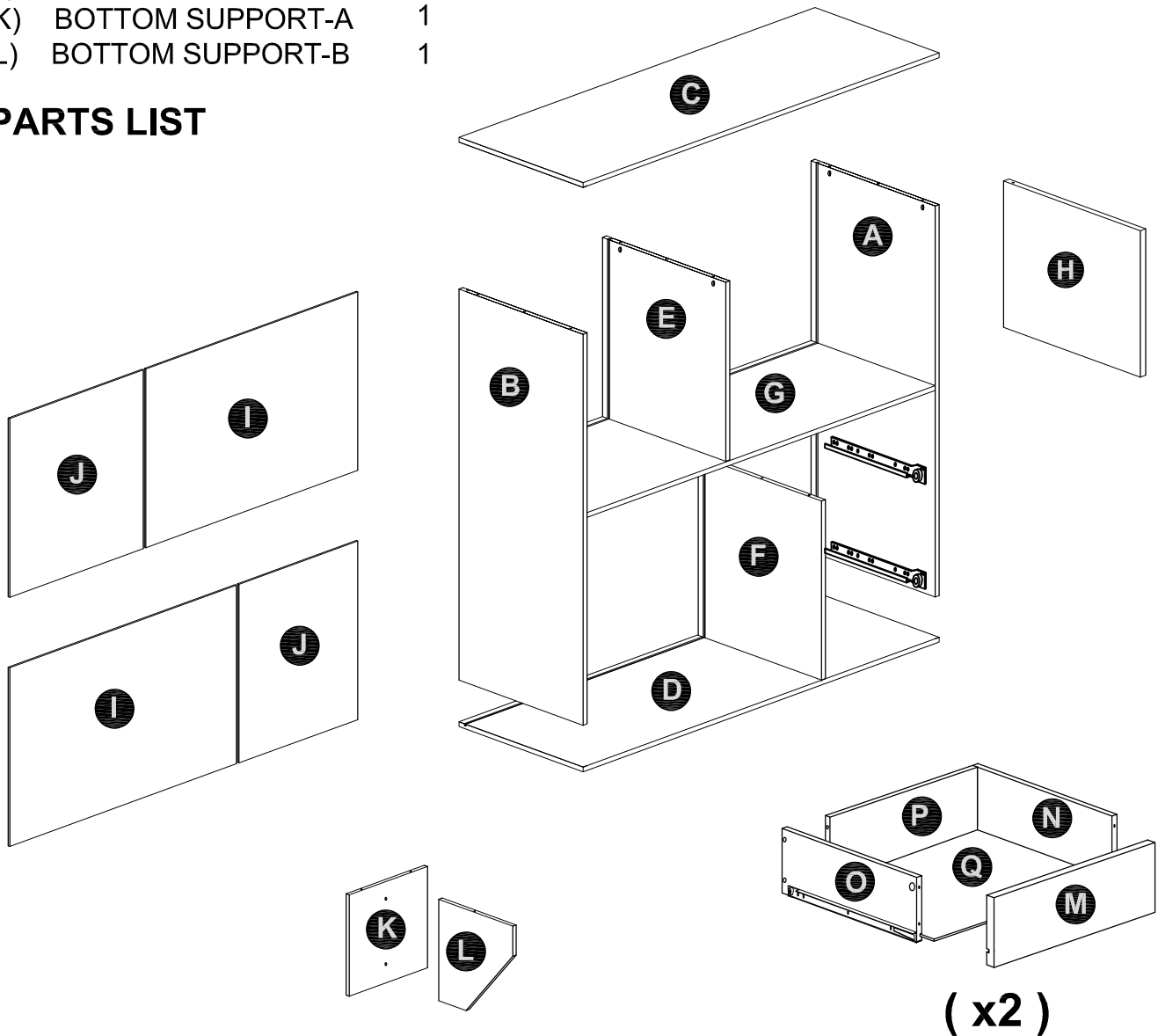
NOTE : THE MAXIMUM WEIGHT THIS PRODUCT CAN HOLD UP TO 25 KGS.

MODEL NAME:

BC 6289-00

NO.	PART LIST	QTY	NO.	PART LIST	QTY
(A)	RIGHT SIDE PANEL	1	(M)	DRAWER FRONT	2
(B)	LEFT SIDE PANEL	1	(N)	DRAWER RIGHT SIDE PANEL	2
(C)	TOP PANEL	1	(O)	DRAWER LEFT SIDE PANEL	2
(D)	BOTTOM PANEL	1	(P)	DRAWER BACK PANEL	2
(E)	CENTRE PANEL- A	1	(Q)	DRAWER BASE	2
(F)	CENTRE PANEL- B	1			
(G)	FIXED SHELF	1			
(H)	DOOR PANEL	1			
(I)	BACK PANEL -A	2			
(J)	BACK PANEL -B	2			
(K)	BOTTOM SUPPORT-A	1			
(L)	BOTTOM SUPPORT-B	1			

PARTS LIST



MODEL NAME:

BC 6289-00

HARDWARE LIST

4cm
3cm
2cm
1cm
0cm

4X
M6 x 30mm
1
ALLEN HEAD BOLT

7X
Dia.27mm
2
STICKER COVER

16X
M6.5
3
QUICKFIT

18X
Dia.6 x 30mm
4
WOOD DOWEL

1X
5
GLUE 10CC

13X
M8 x 38mm
6
FLAT HEAD SCREW

3cm
2cm
1cm
0cm

1X
M4
7
ALLEN KEY

4X
M3.5 x 12mm
8
FLAT HEAD SCREW

12X
M3 x 20mm
9
FLAT HEAD SCREW

12X
10
BACKPLY STOPPER

16X
Dia.15mm
11
DRAWER CAMLOCK

9mm

1X
M43 x 13mm
12
MAGNET

1X
M43 x 12mm
13
WASHER

2X
14
SPRING DOOR SUPPORT

8X
M3.5 x 25mm
15
FLAT HEAD SCREW

4X
16
LEG

180 x 70 x 28MM

2X
17
ANTI TIP STRAP

MODEL NAME:

BC 6289-00

Top Tips before you start!

1. Please check that all parts are present before you start the assembly of your furniture.
2. For ease and speed of assembly, we recommend that before you commence each step of the assembly, that you identify all the parts required for that step.
3. For larger items, please ensure that you have sufficient space and people (as indicated on page 1) to assemble your product safely
4. We recommend that, where possible, all items are assembled near to the area in which they will be placed in use, to avoid moving the product unnecessarily once assembled.
5. For the protection of your furniture, we recommend that the product is placed on a protected surface during assembly to prevent any damage.
6. During assembly please take care not to over-tighten any fittings, as this may damage the product.
7. Always place the product on a flat, steady and stable surface.
8. Do not sit or stand on the product. Do not use the product as a stepladder.
9. This product is intended for indoor, household use only as it is non industrial product.
10. This product is constructed from re-inforced hollow board. Excessive pressure causes irreparable damage. Please do not kneel on any part of this product during assembly.

Care and Maintenance of your Furniture

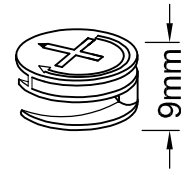
- Please periodically check all fittings and re-tighten as necessary.
- To clean your item, please use a damp cloth and wipe clean.
- Never allow any kind of liquid to remain on your furniture. Absorption can cause wood to warp or finishes to de-laminate.
- Please do not place hot items (e.g. hot drinks) directly on to the wood surface.
- Please do not drag and pull your furniture.

MODEL NAME:

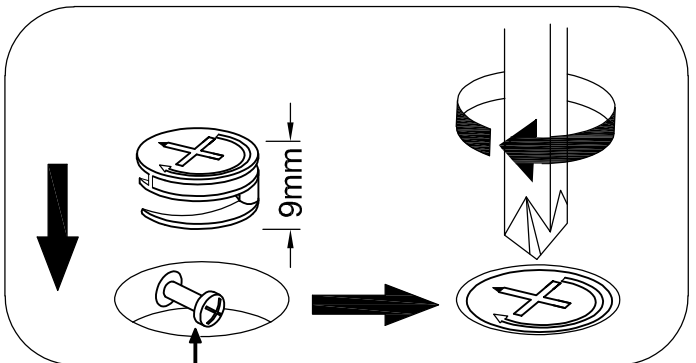
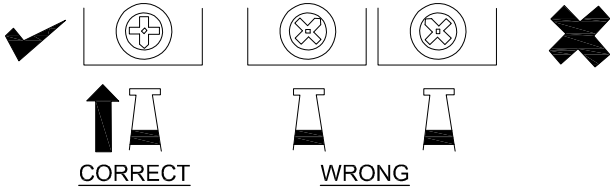
BC 6289-00

SPECIAL TIPS FOR FITTING CAM-LOCKS AND QUICKFIT

CAM-LOCK



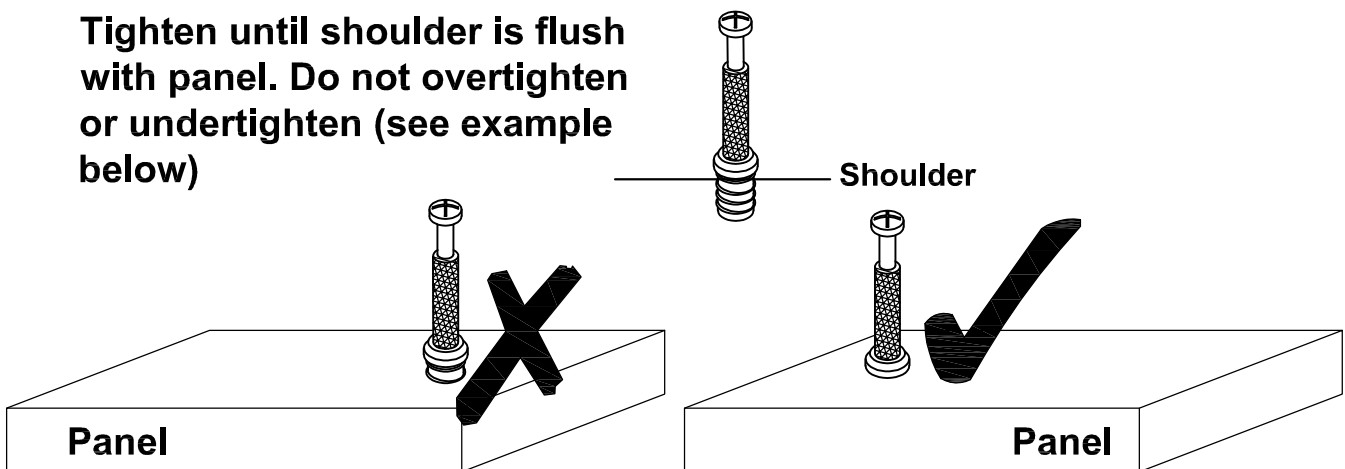
WHEN FITTING CAMLOCK
ENSURE STARTING POSITION IS CORRECT
BEFORE YOU INSERT CONNECTING QUICKFIT
TURN CLOCKWISE UNTIL SECURE



Quickfit head needs to be in centre

CAM BOLT

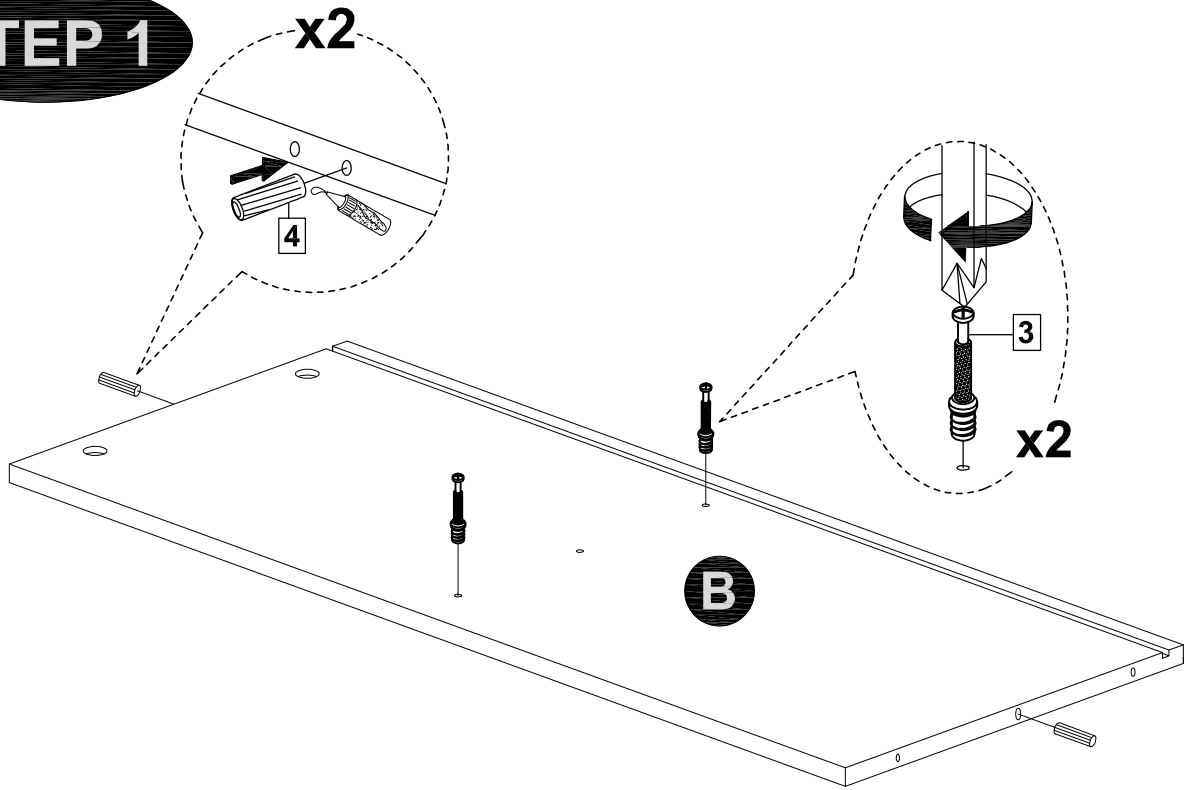
Tighten until shoulder is flush with panel. Do not overtighten or undertighten (see example below)



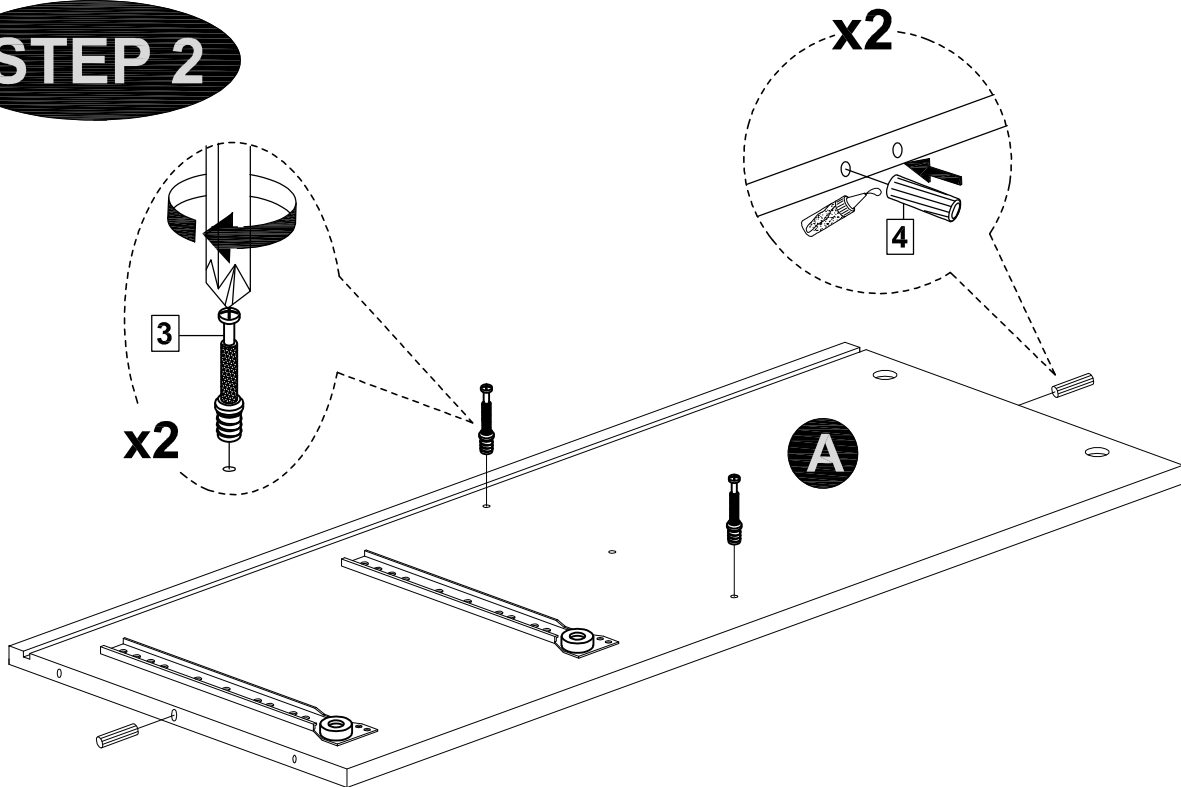
MODEL NAME:

BC 6289-00

STEP 1



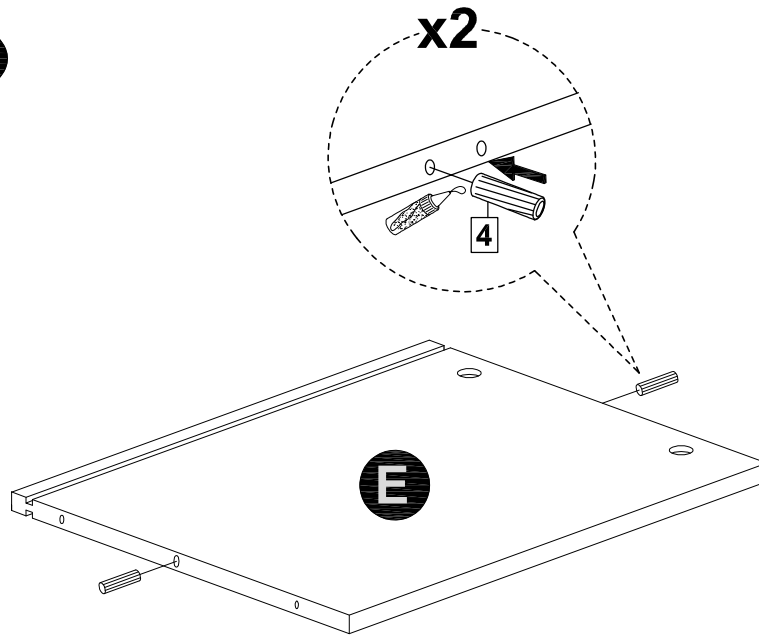
STEP 2



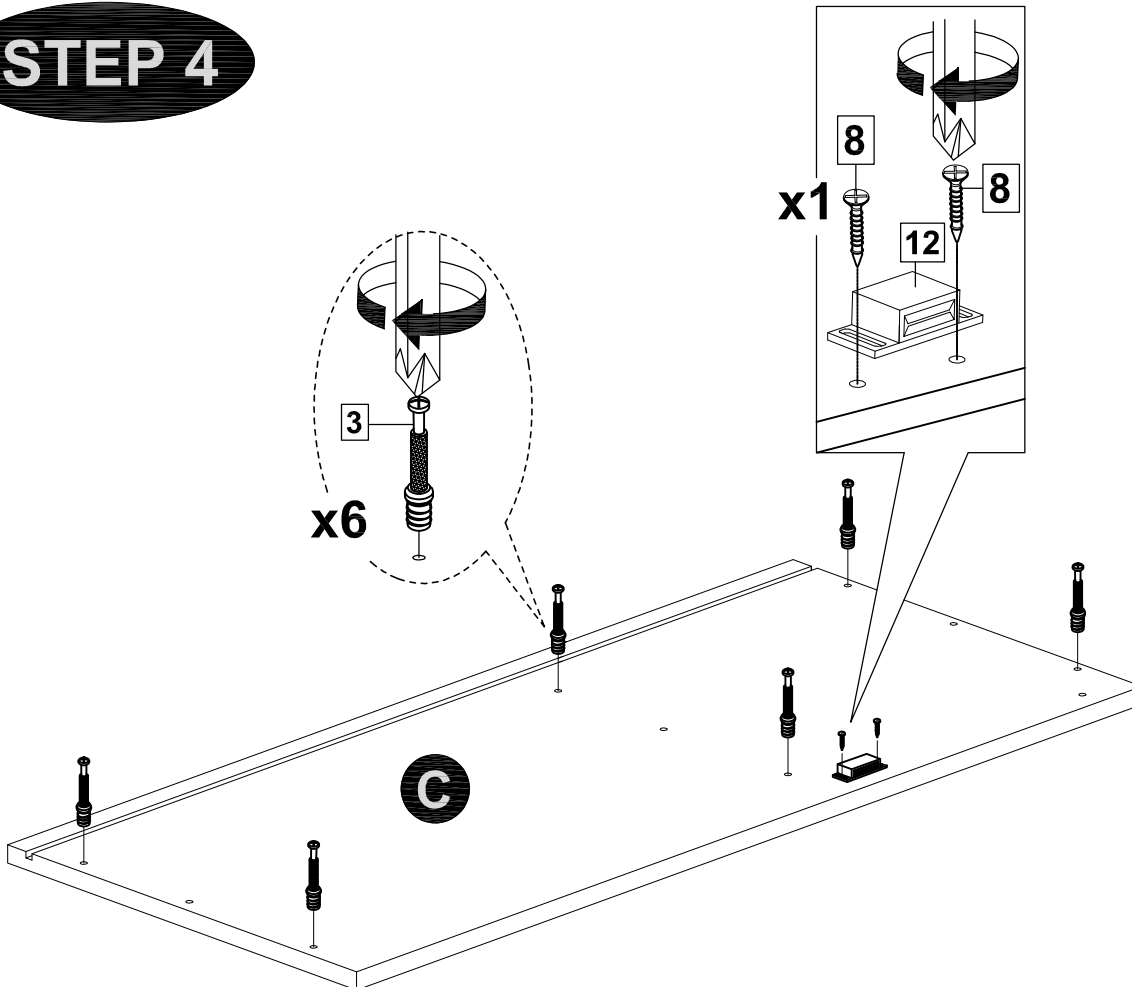
MODEL NAME:

BC 6289-00

STEP 3



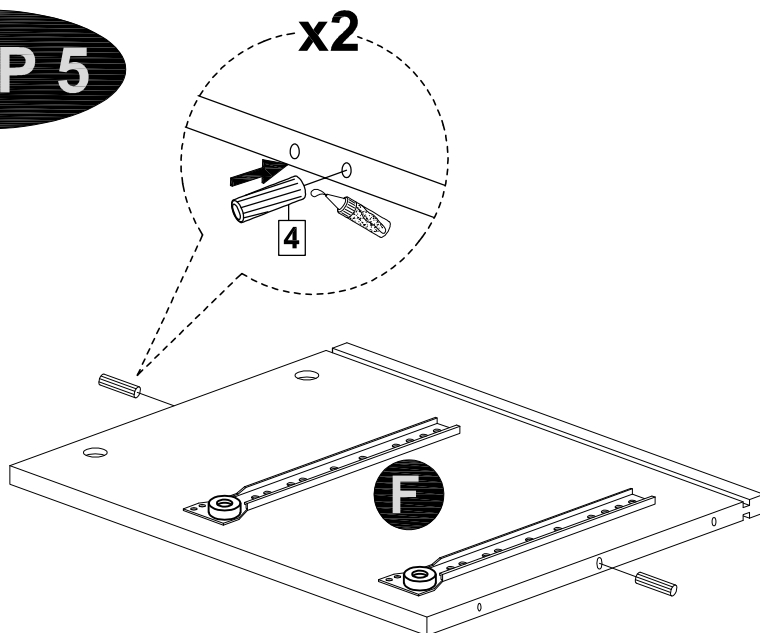
STEP 4



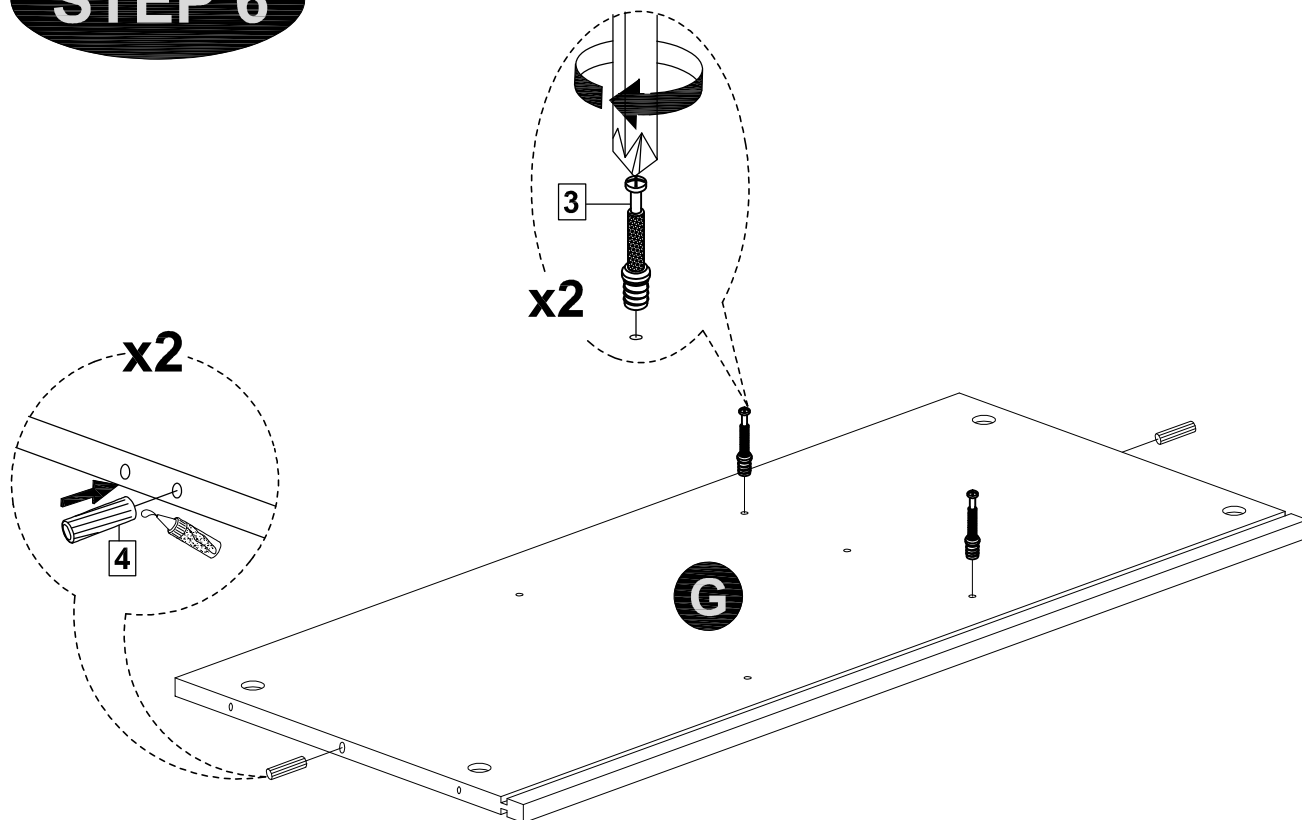
MODEL NAME:

BC 6289-00

STEP 5



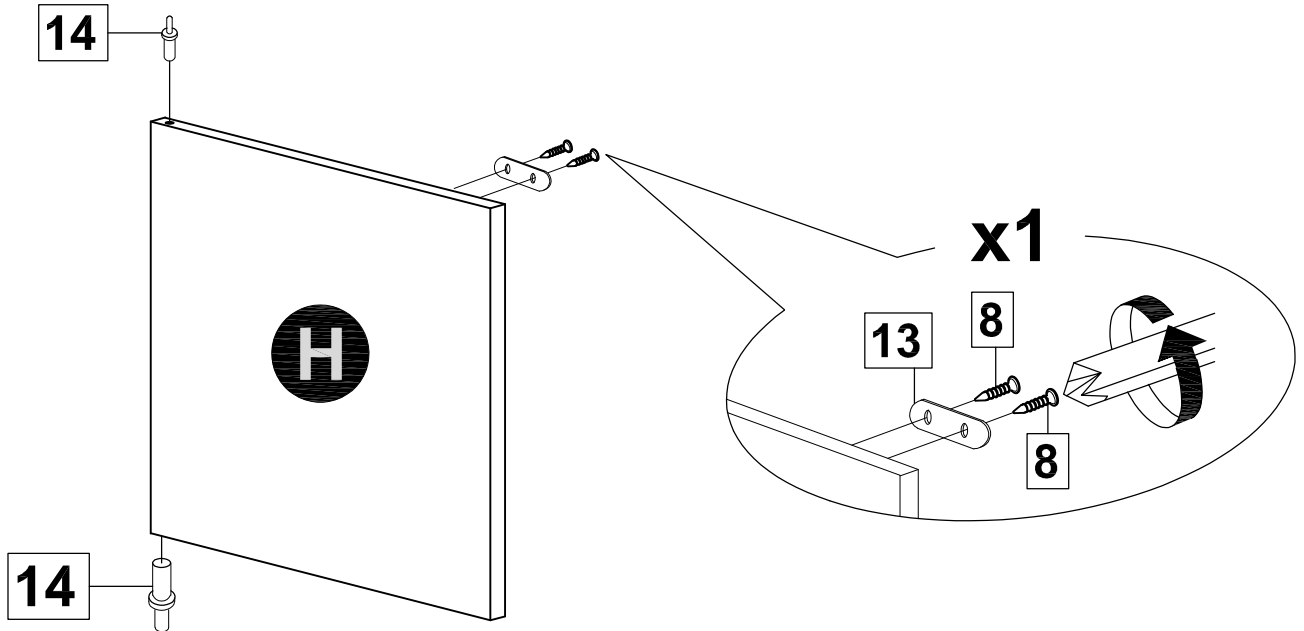
STEP 6



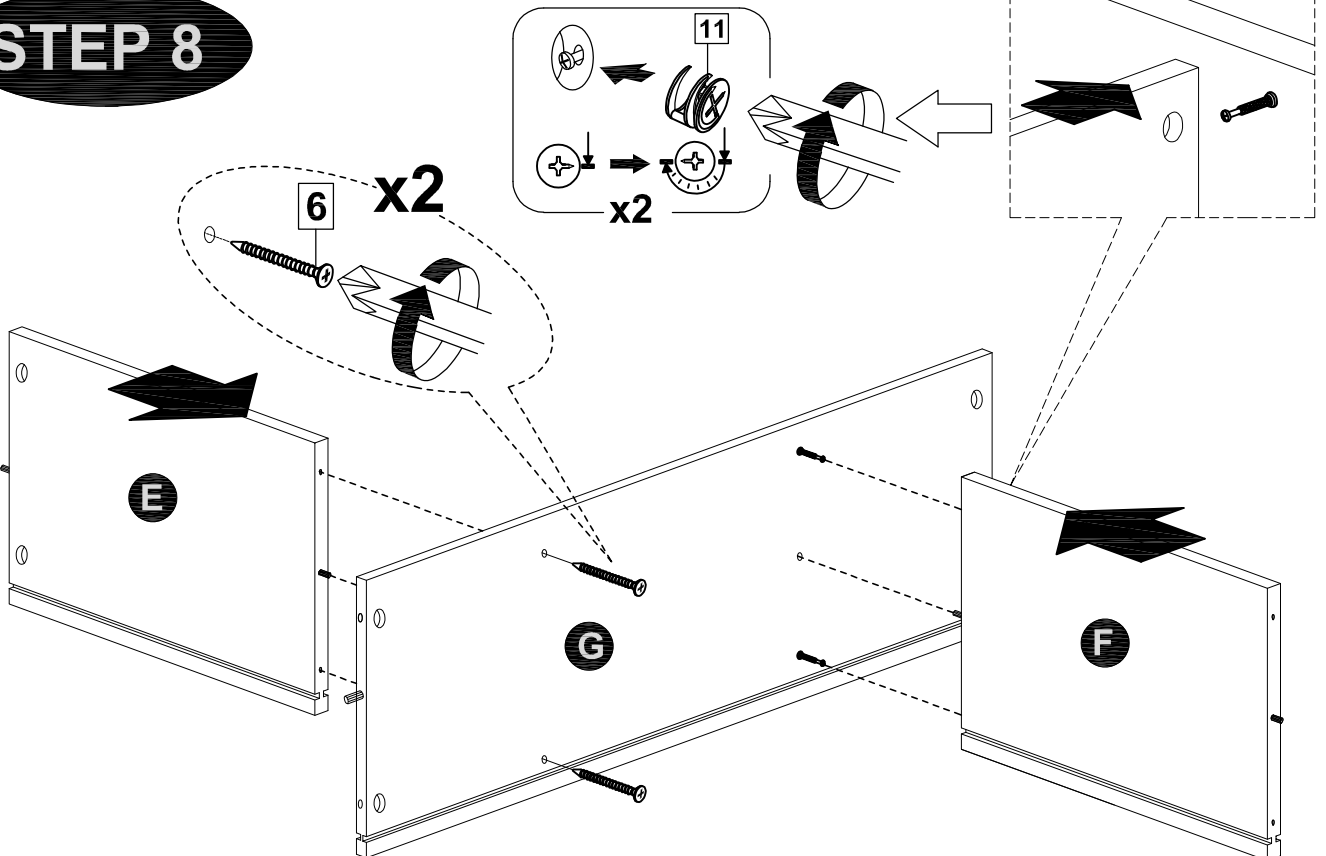
MODEL NAME:

BC 6289-00

STEP 7



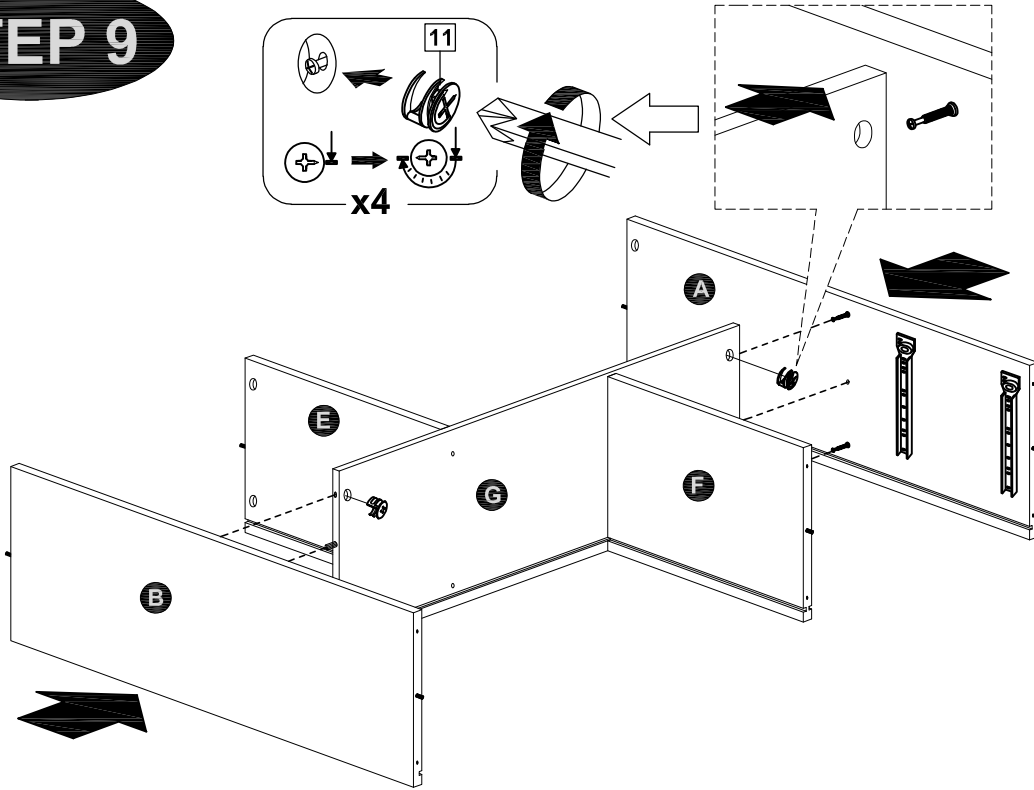
STEP 8



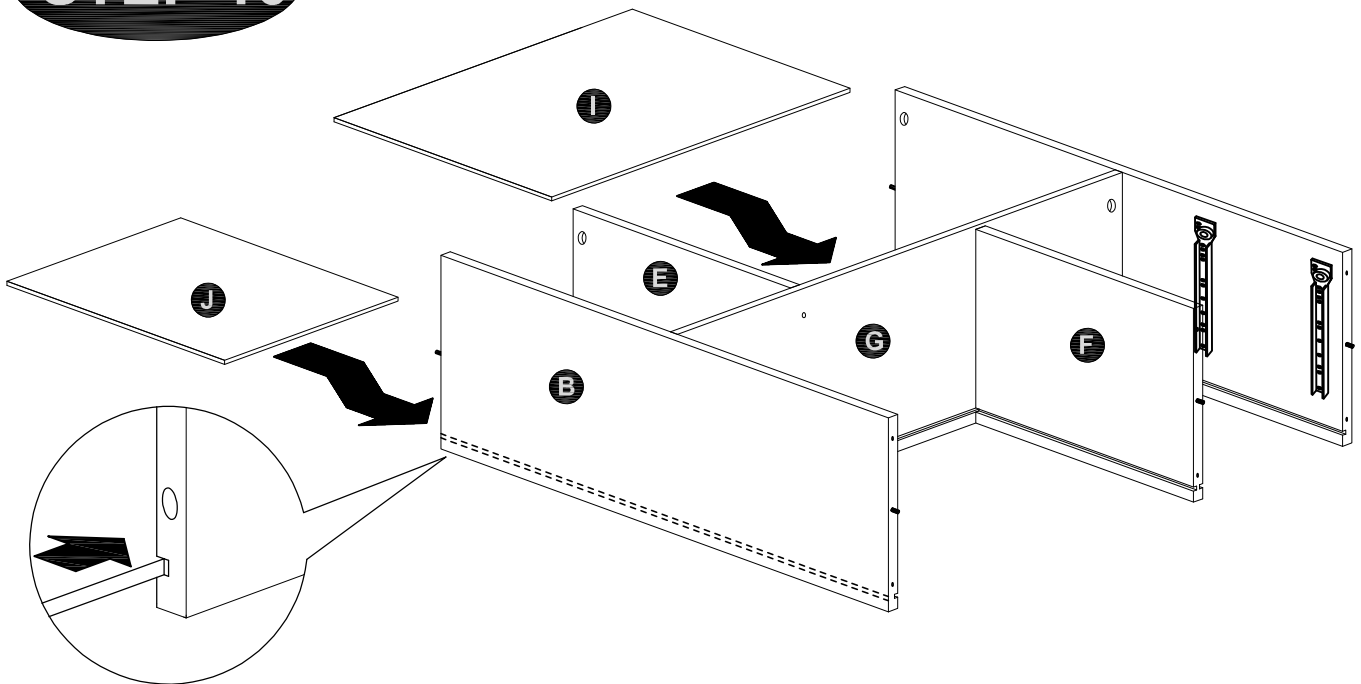
MODEL NAME:

BC 6289-00

STEP 9



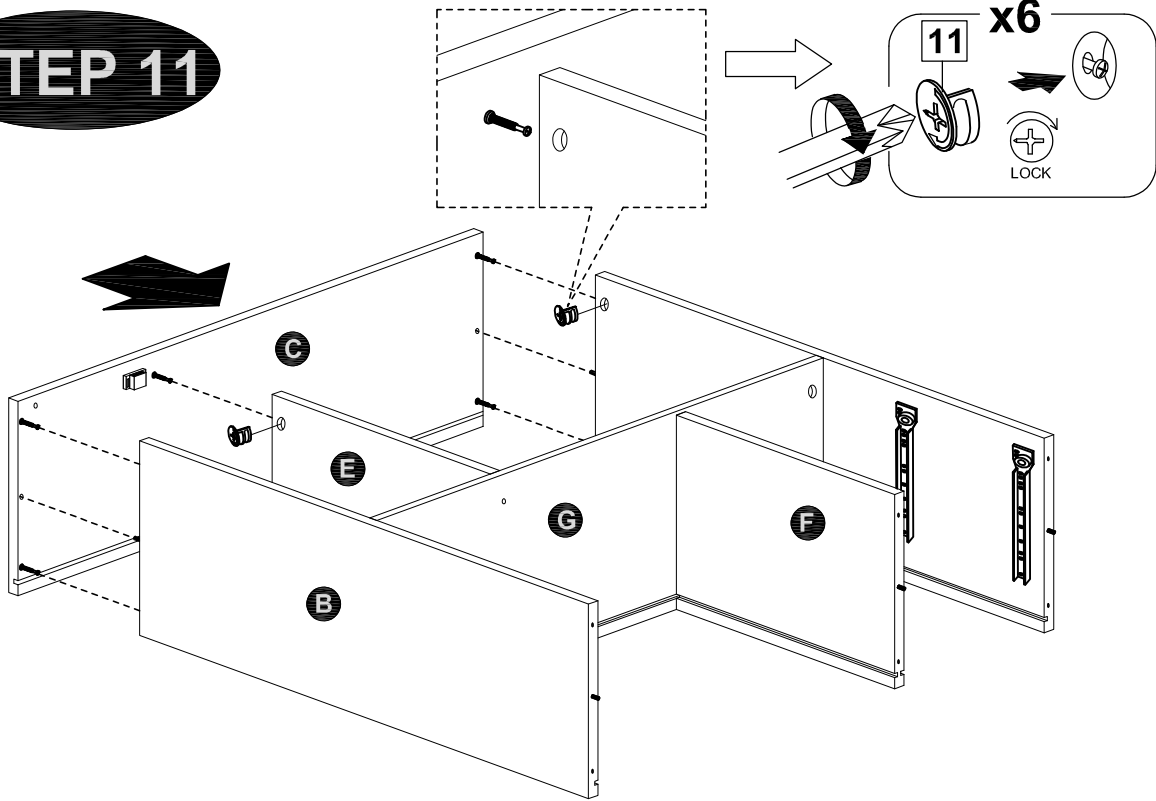
STEP 10



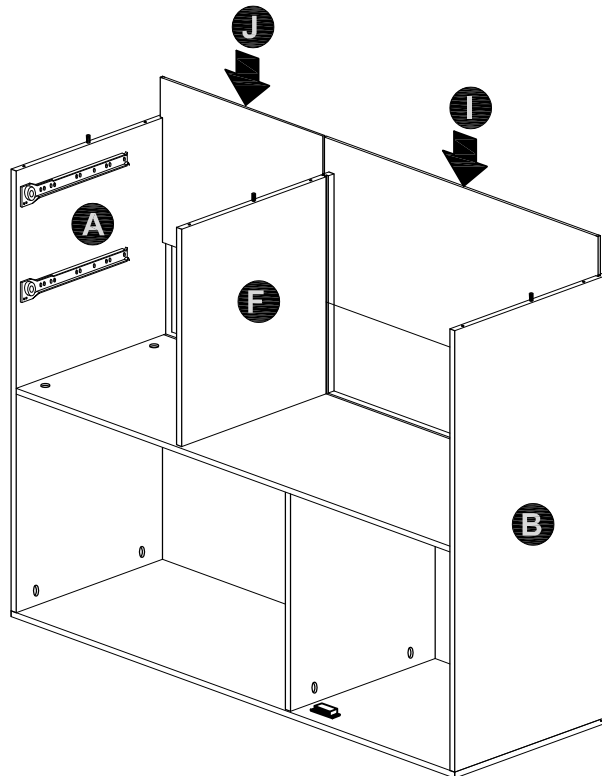
MODEL NAME:

BC 6289-00

STEP 11



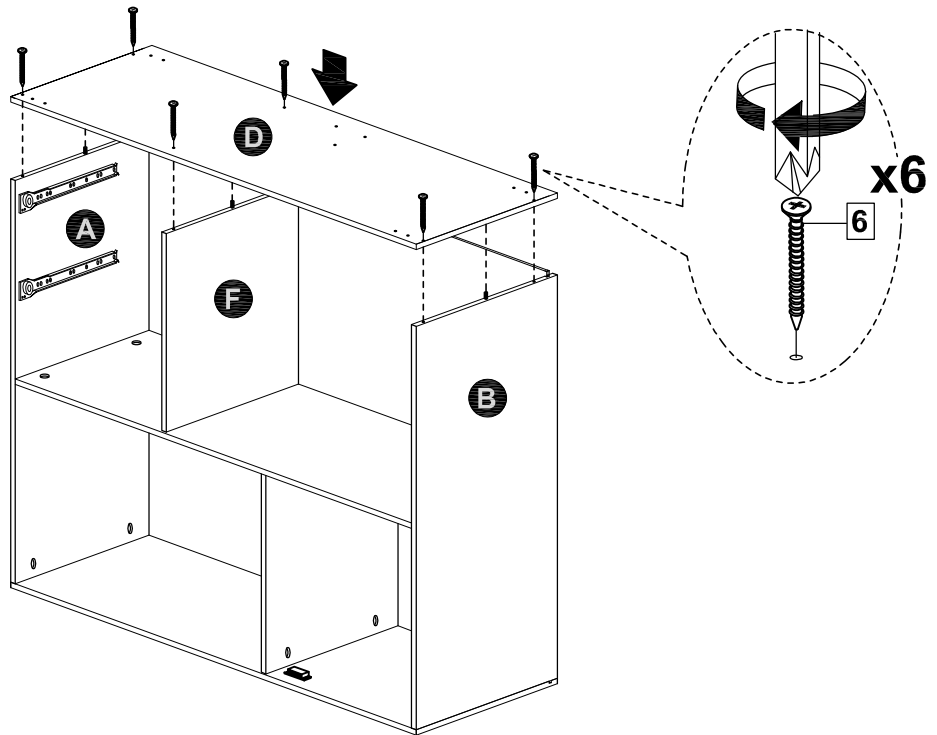
STEP 12



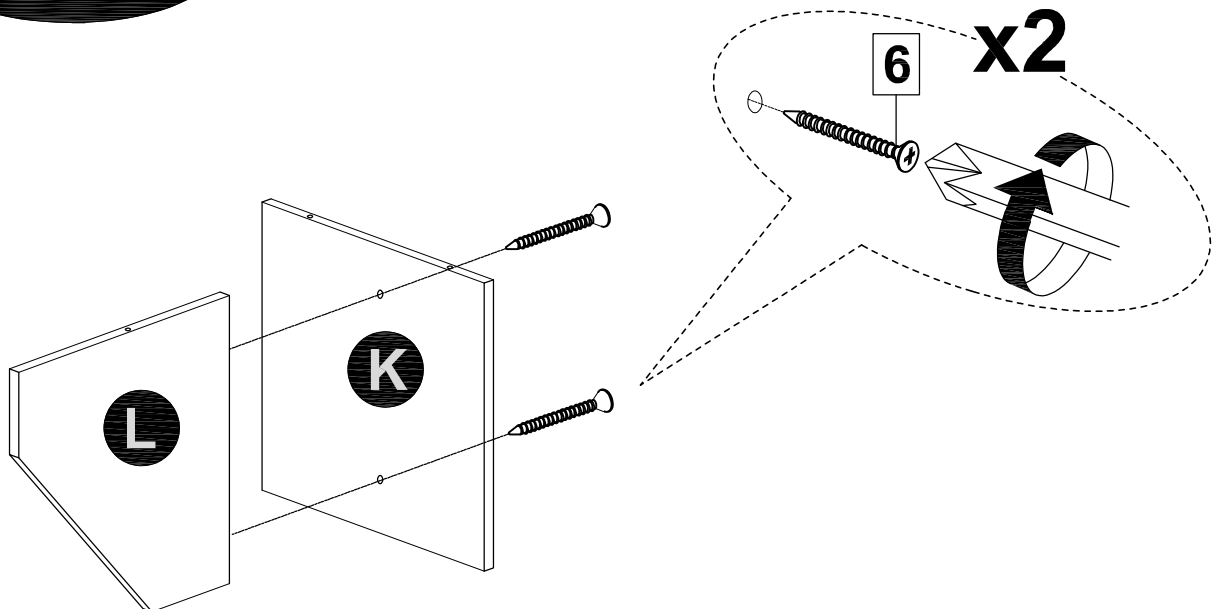
MODEL NAME:

BC 6289-00

STEP 13



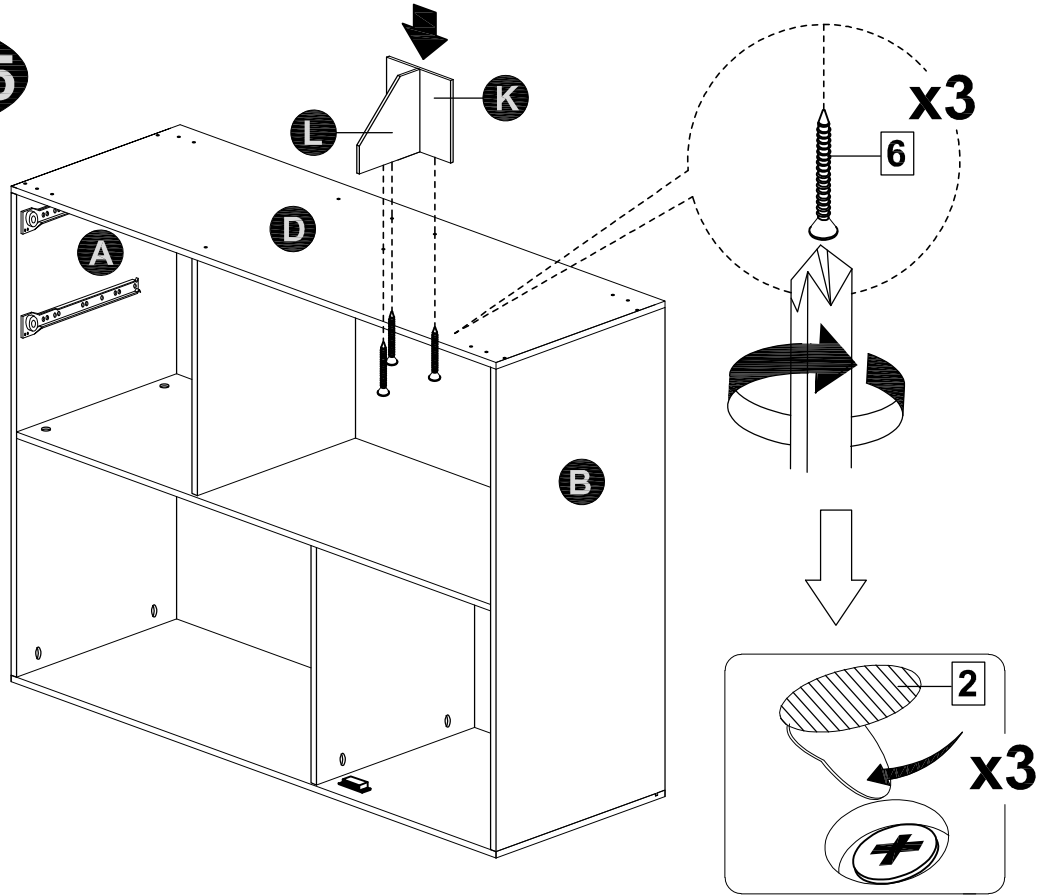
STEP 14



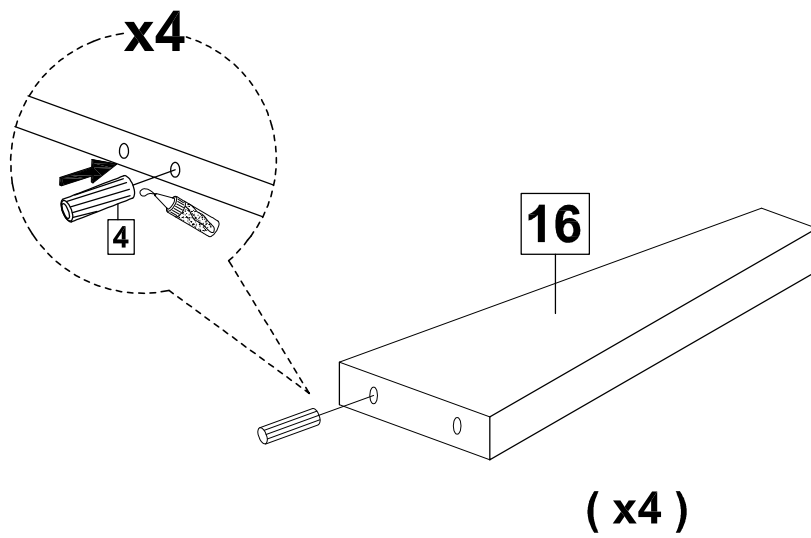
MODEL NAME:

BC 6289-00

STEP 15



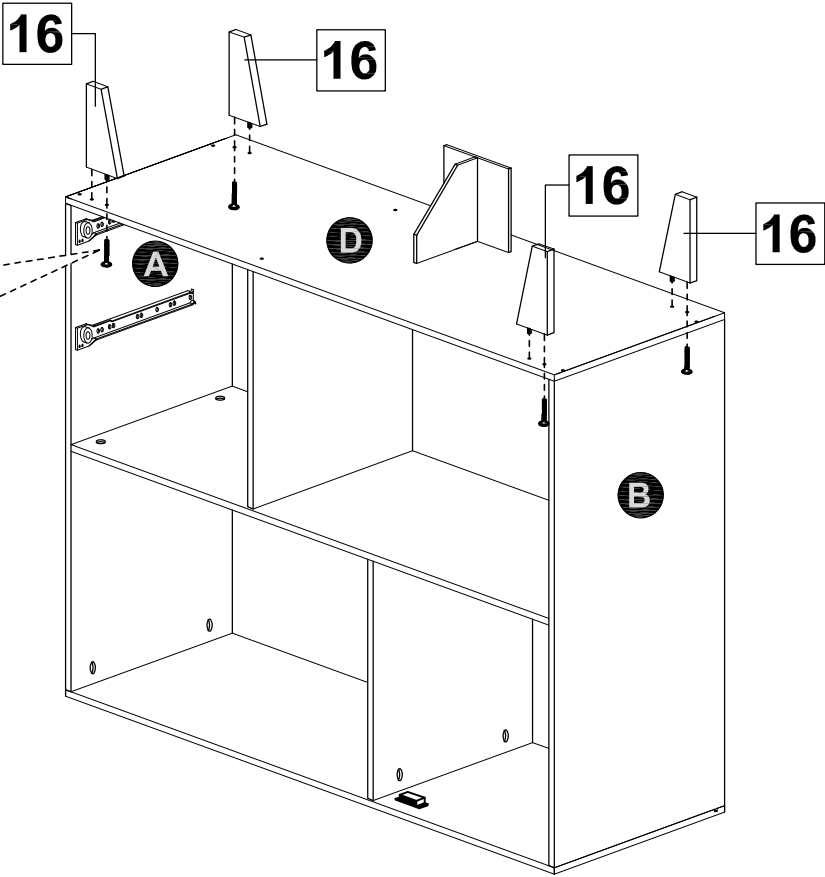
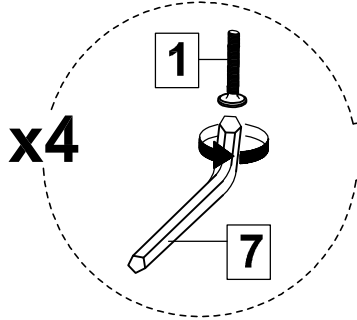
STEP 16



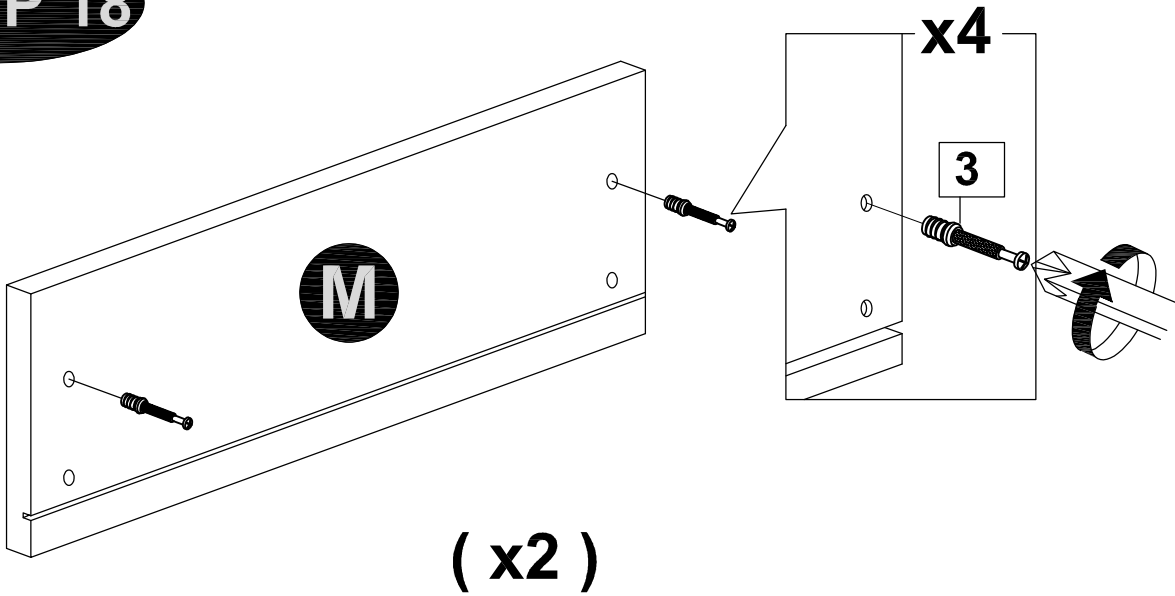
MODEL NAME:

BC 6289-00

STEP 17



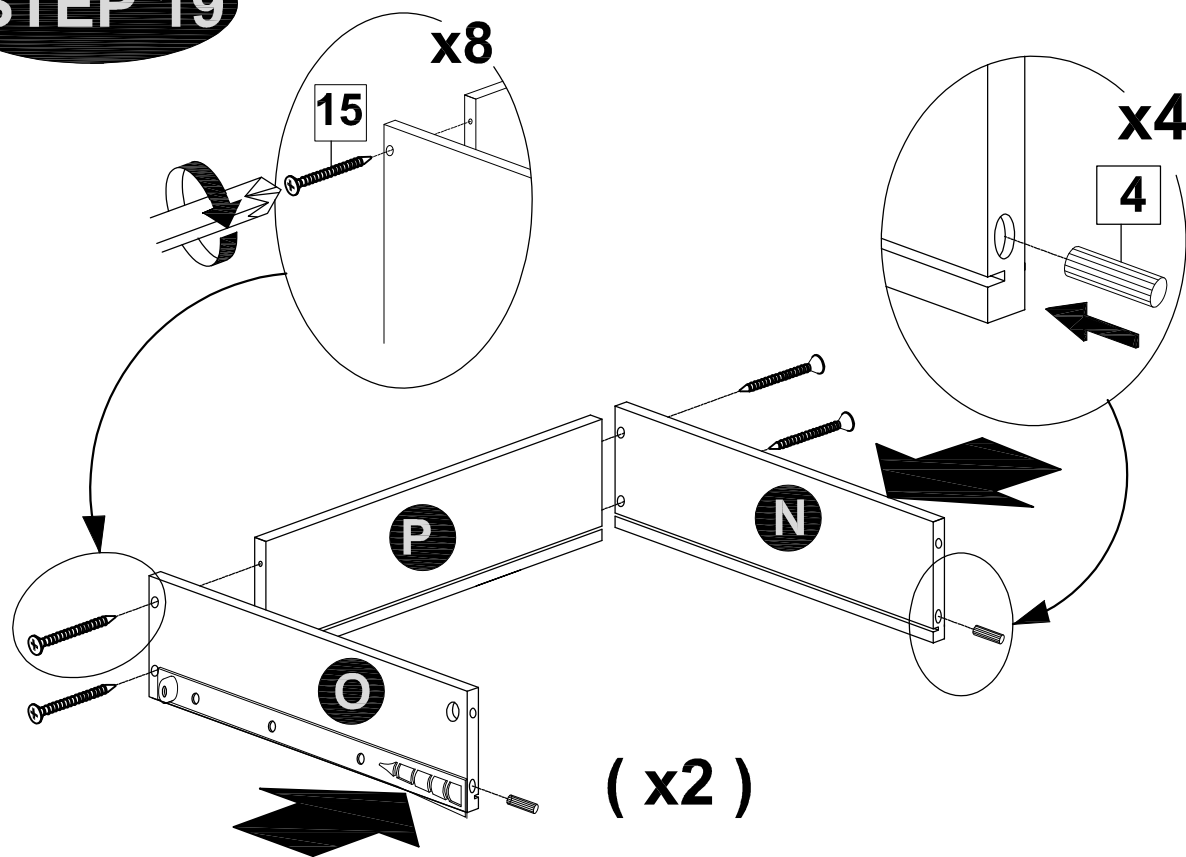
STEP 18



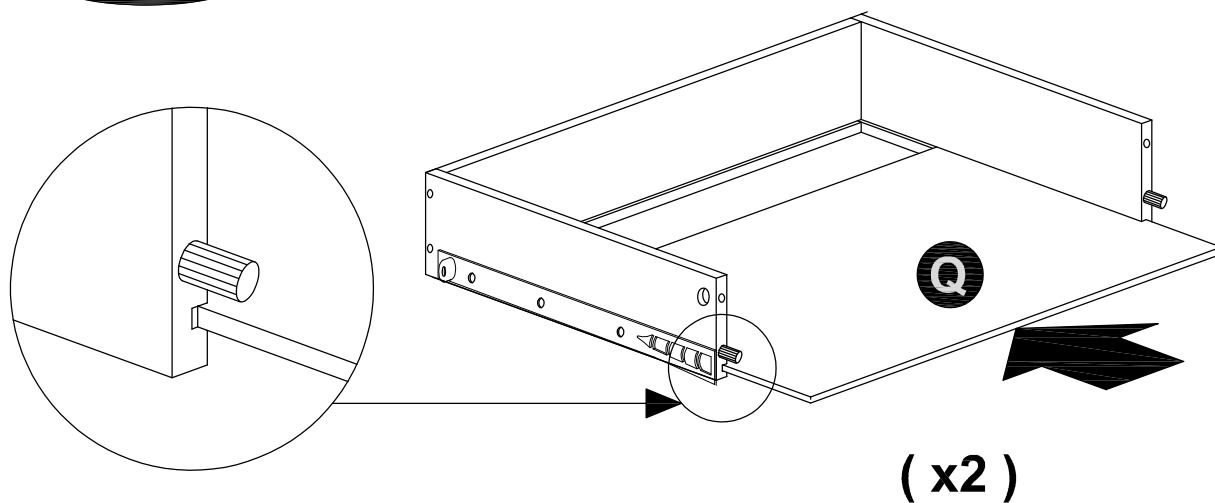
MODEL NAME:

BC 6289-00

STEP 19



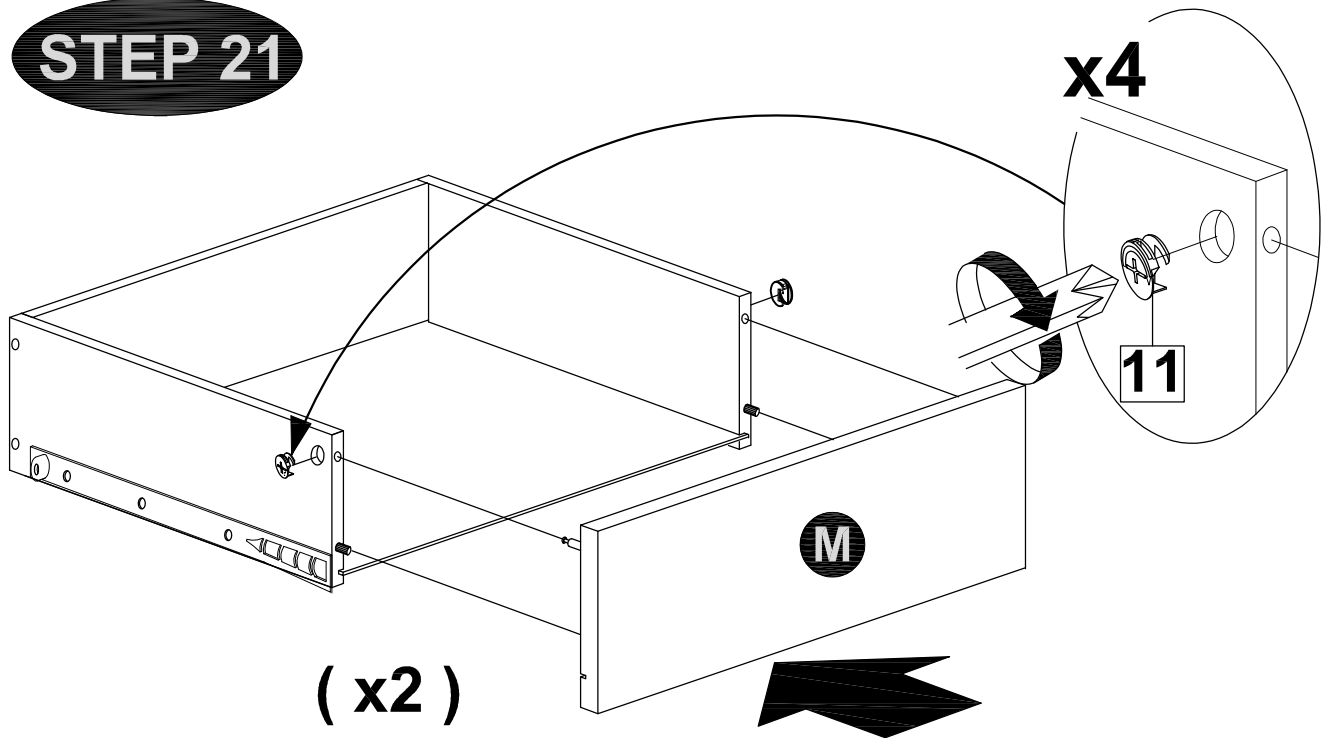
STEP 20



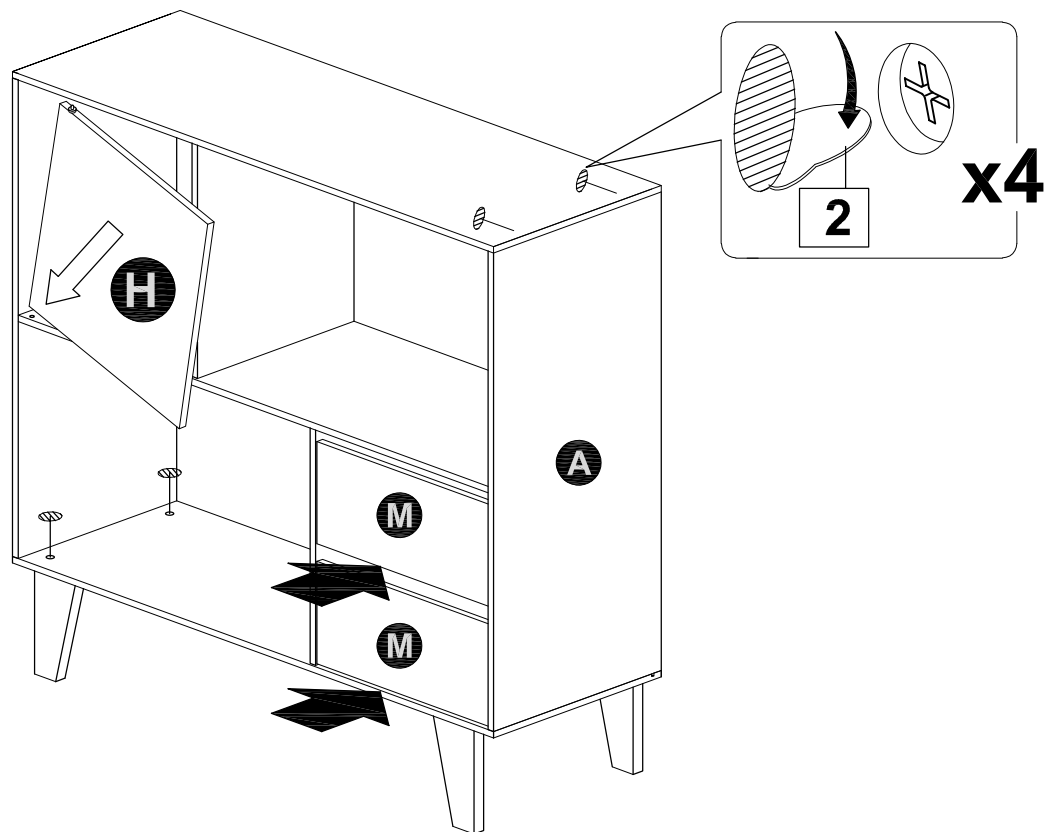
MODEL NAME:

BC 6289-00

STEP 21



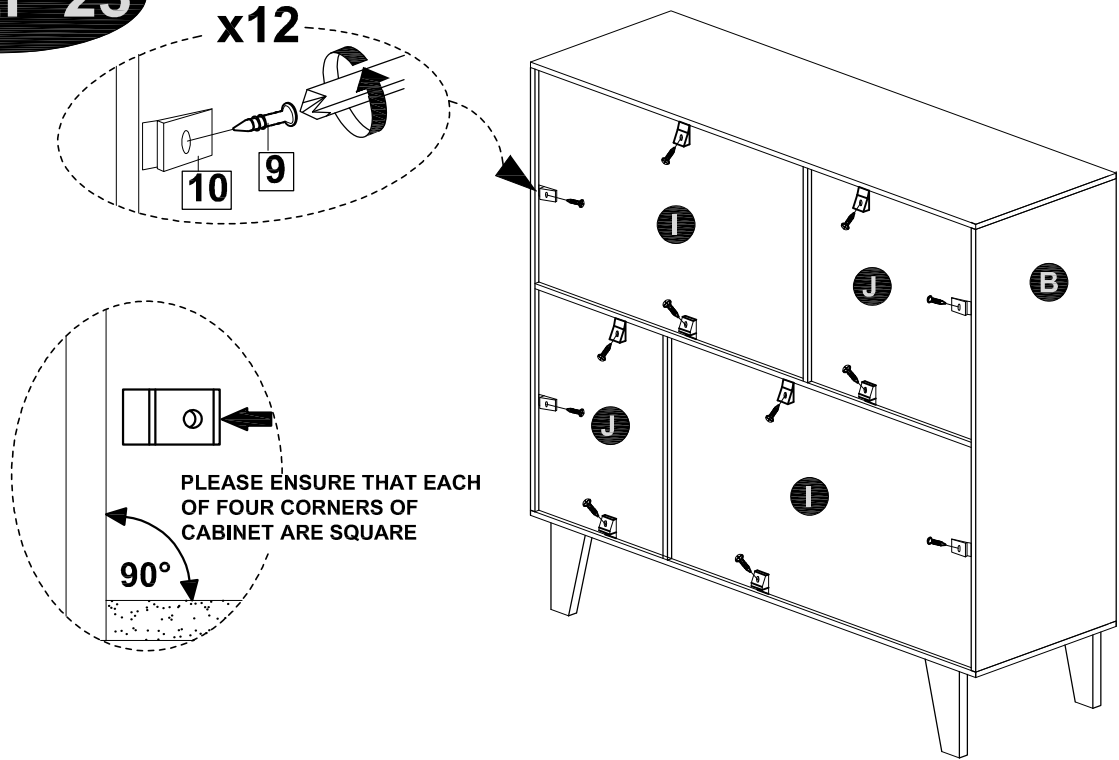
STEP 22



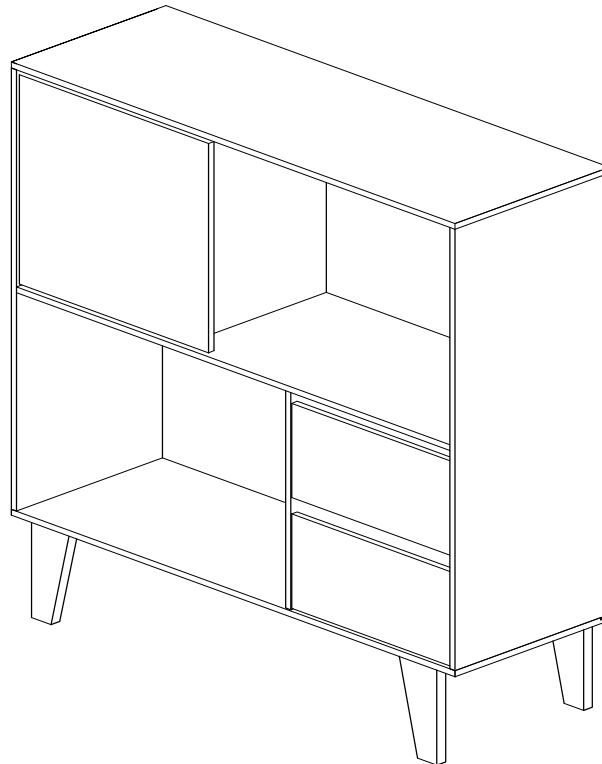
MODEL NAME:

BC 6289-00

STEP 23



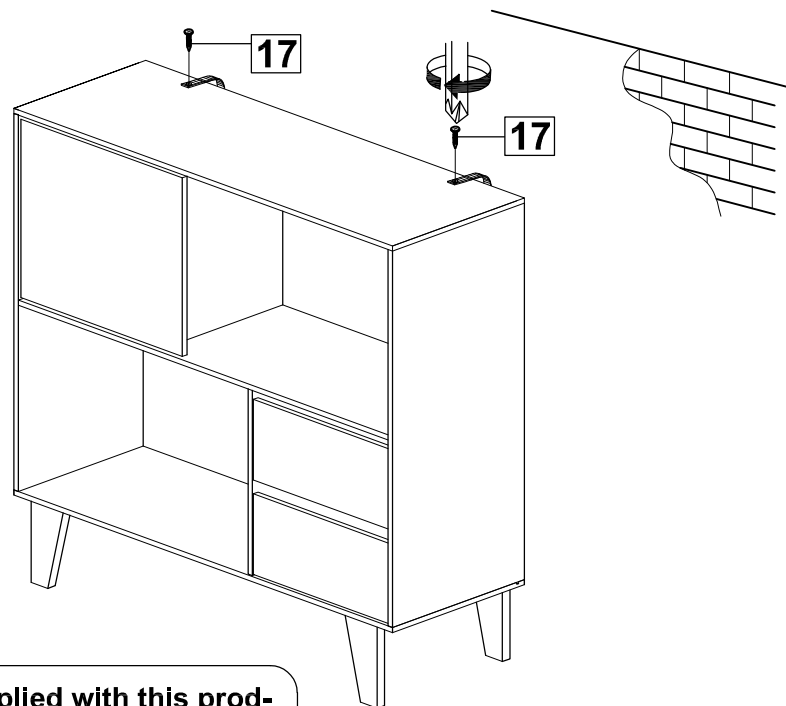
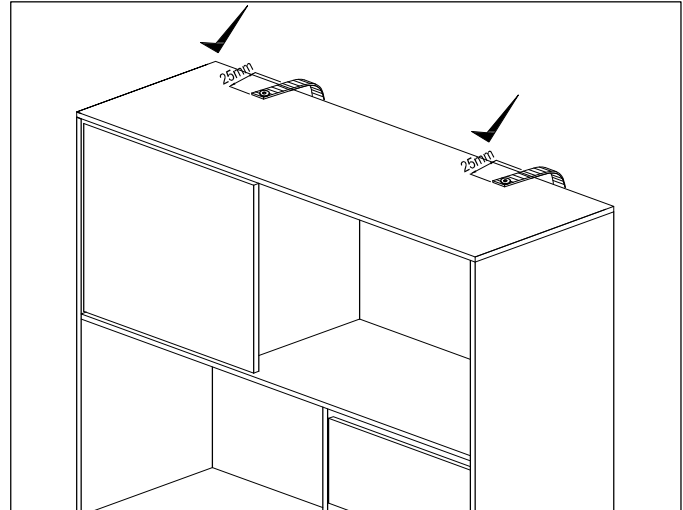
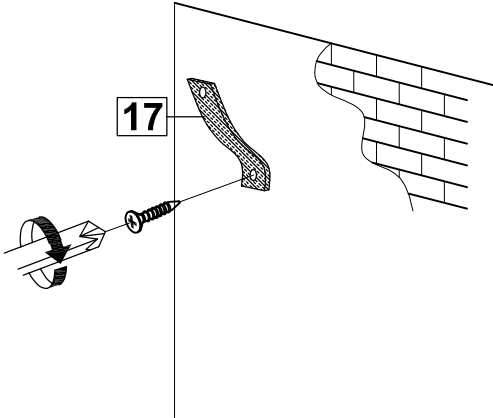
STEP 24



MODEL NAME :

It is recommended that you fit the anti-tip bracket to this item to avoid tipping and causing injury.

FITTING OF ANTI-TIP BRACKET



NOTE : Wall fixings are not supplied with this product as different wall materials require different types of fixing devices (such as Rawl plugs on brick work). You must use fixing devices suitable for the type of wall you intend to mount this product to. Please ensure that the head of any screw used as a diameter greater than the diameter of the mounting hole on the bracket and that the fixing is safe and secure before use.
The screw supplied is to fix the anti-tip strap to the cabinet.

HARDWARE LIST



Anti-Tip Strap - 2pcs



M3.5 x 12MM - 2pcs