

Read this instruction carefully. See hardware and furniture part list for guidance. Be sure all parts are complete, before you assemble. Place all wooden furniture parts on a clean and flat soft surface to prevent from being scratched. Follow the figure to start assembling.

CAUTIONS : 1. Do not FULLY - TIGHTEN the nut or nut bolt until all nut or bolt is ready assembled.
 2. Do not OVER - TIGHTEN the nut or bolt to avoid causing damages to the thread.
 3. Keep all hardware parts out of reach of children.

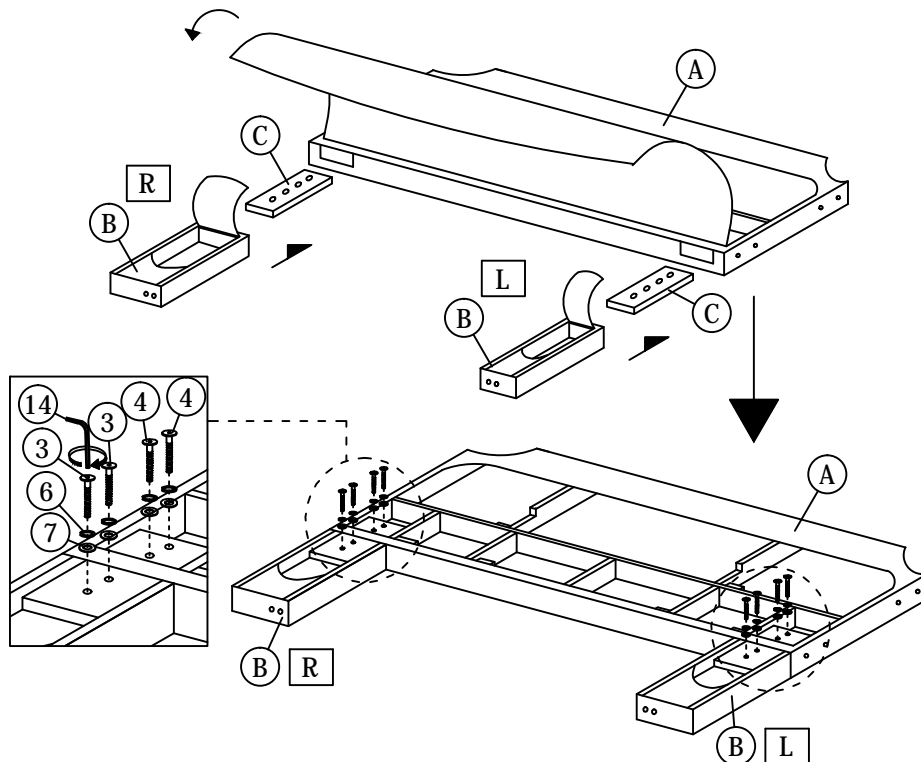
NOTE : THE LIST AND QUANTITY SHOWN ARE FOR 1 UNIT ASSEMBLY.
 Tool needed : Screwdriver & Rubber Mallet (not provided).

PART LIST		
ITEM	DESCRIPTION	QTY
A	HEADBOARD	1 PC
B	HEADBOARD LEG	2 PCS
C	HEADBOARD SUPPORT WOOD	2 PCS
D	HEADBOARD SUPPORT RAIL	1 PC
E	FOOTBOARD	1 PC
F	HEADBOARD LEG SUPPORT WOOD	2 PCS
G	FOOTBOARD LEG SUPPORT WOOD	1 PC
H	BED LEG	4 PCS
I	SIDE RAIL	2 PCS
J	HEADBOARD WING	2 PCS
K	SIDE RAIL SUPPORT WOOD	2 PCS
L	CENTER RAIL	2 PCS
M	CENTER SUPPORT LEG	6 PCS
N	CENTER SUPPORT WOOD	3 PCS
O	BED SLAT	39 PCS

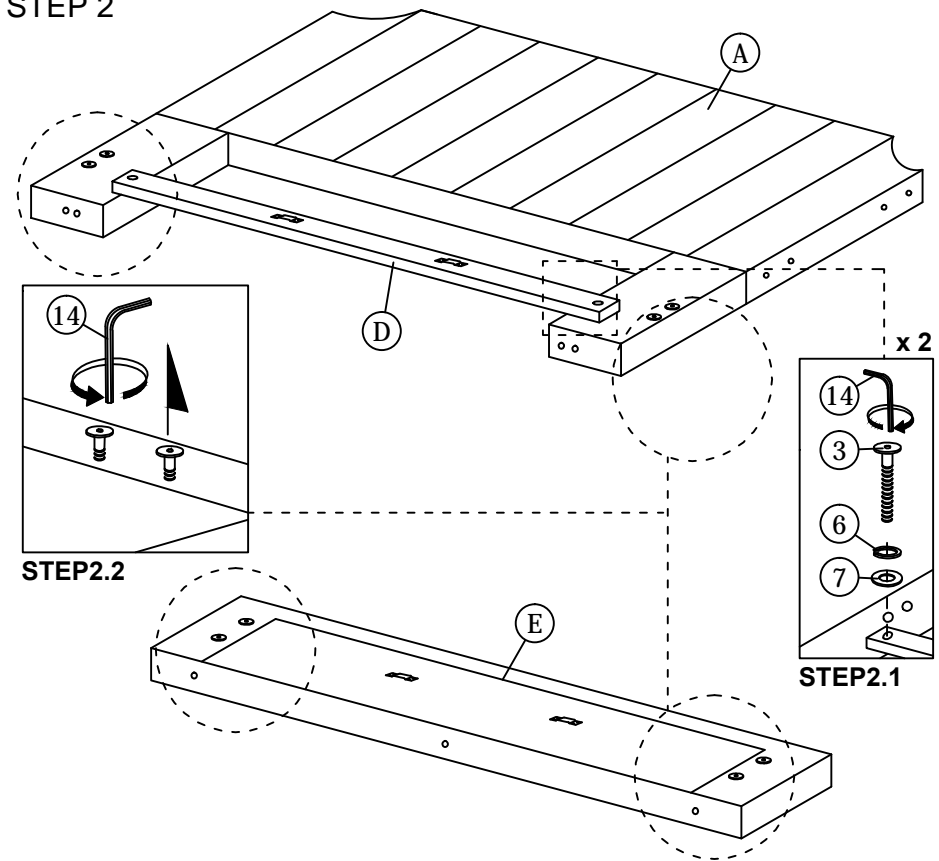
HARDWARE LIST		
ITEM	DESCRIPTION	QTY
1	JCBC BOLT M6 x 40mm	4 PCS
2	JCBC BOLT M6 x 45mm	14 PCS
3	JCBB BOLT M8 x 40mm	13 PCS
4	JCBB BOLT M8 x 45mm	4 PCS
5	M6 FLAT WASHER	6 PCS
6	M8 SPRING WASHER	17 PCS
7	M8 FLAT WASHER	17 PCS
8	WOOD DOWEL M8 x 30mm	4 PCS
9	BED SLAT SIDE FITTER	26 PCS
10	BED SLAT CENTER FITTER	26 PCS
11	WOOD SCREW M3.5 x 16mm	12 PCS
12	WOOD SCREW M4 x 20mm	4 PCS
13	M4 ALLEN KEY (BALL SHAPE)	1 PC
14	M5 ALLEN KEY (BALL SHAPE)	1 PC

STEP 1

Take out HEADBOARD LEG (B) & HEADBOARD SUPPORT WOOD (C) for the HEADBOARD BACK (A).

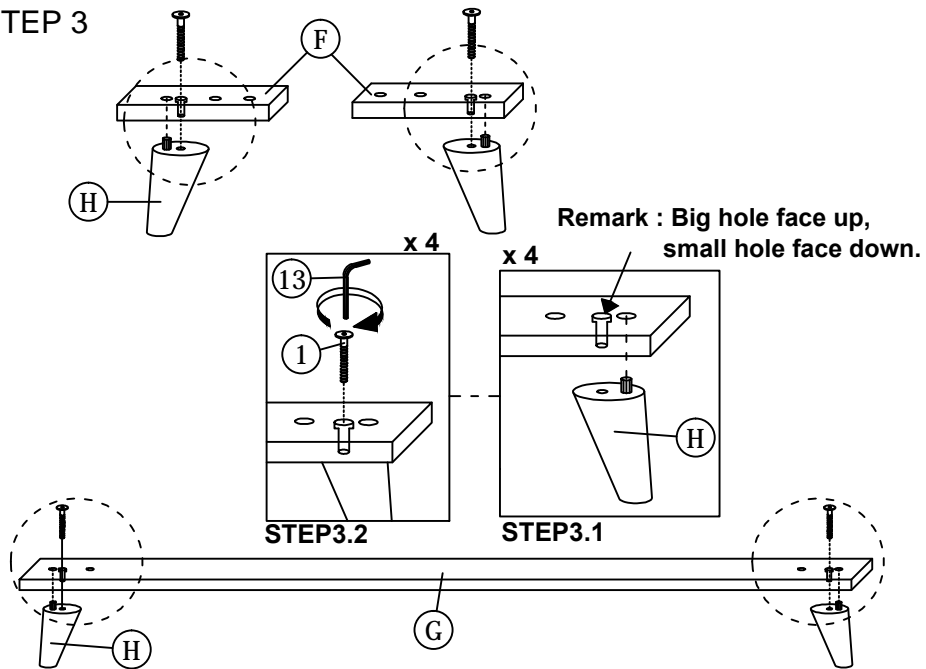


STEP 2

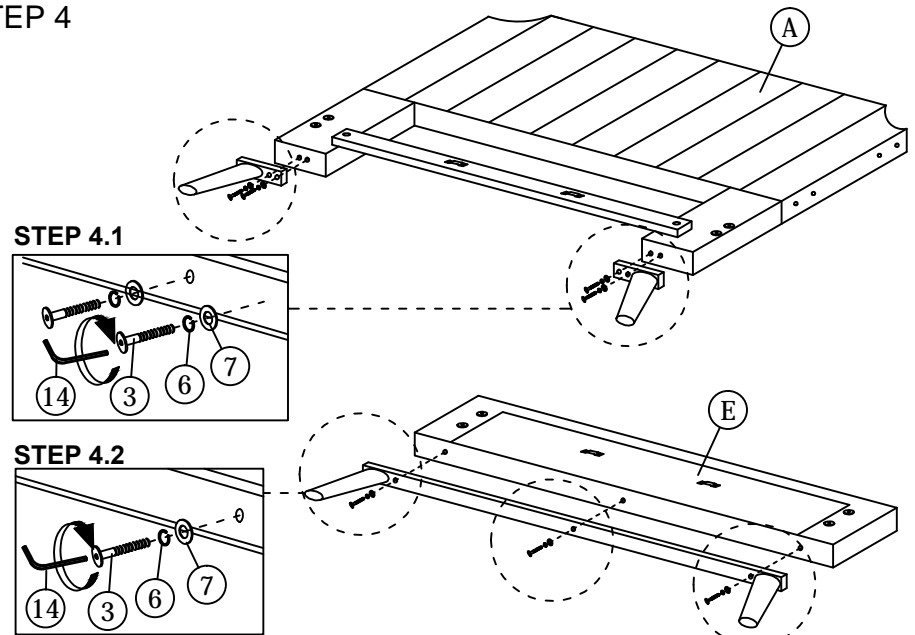


ASSEMBLY INSTRUCTIONS

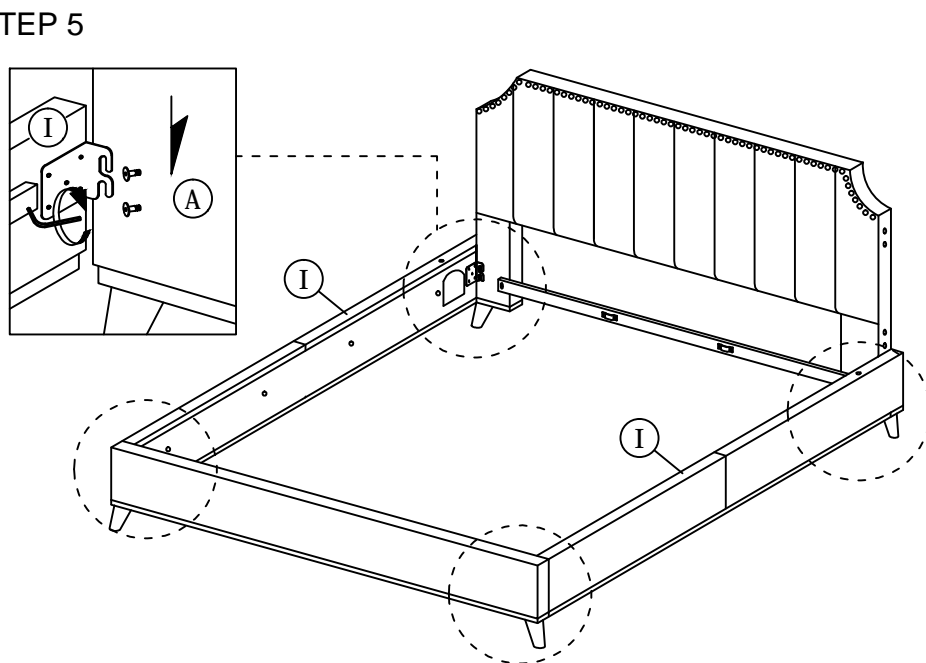
STEP 3



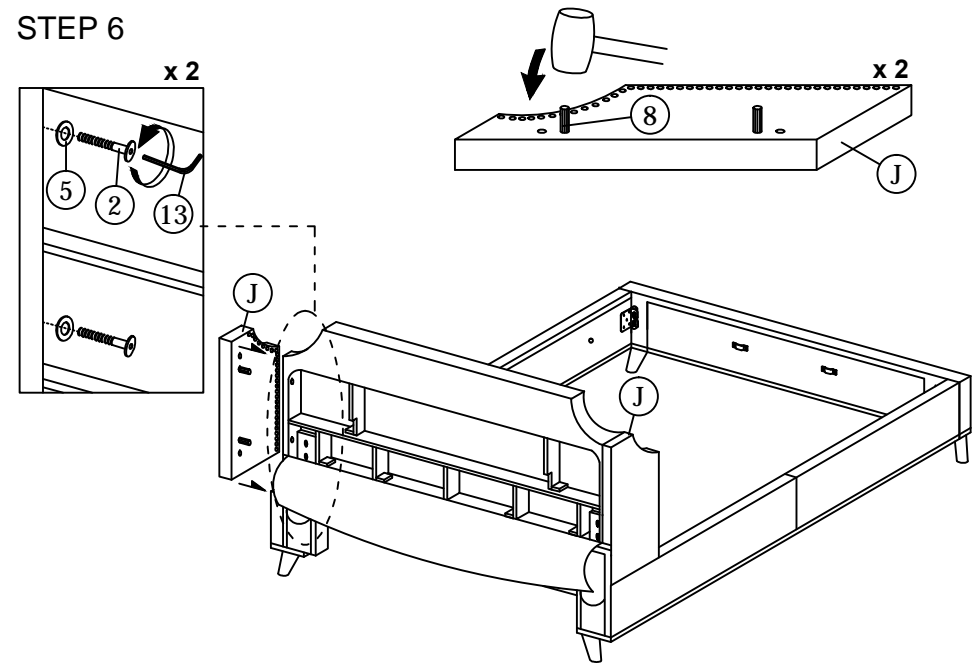
STEP 4



STEP 5

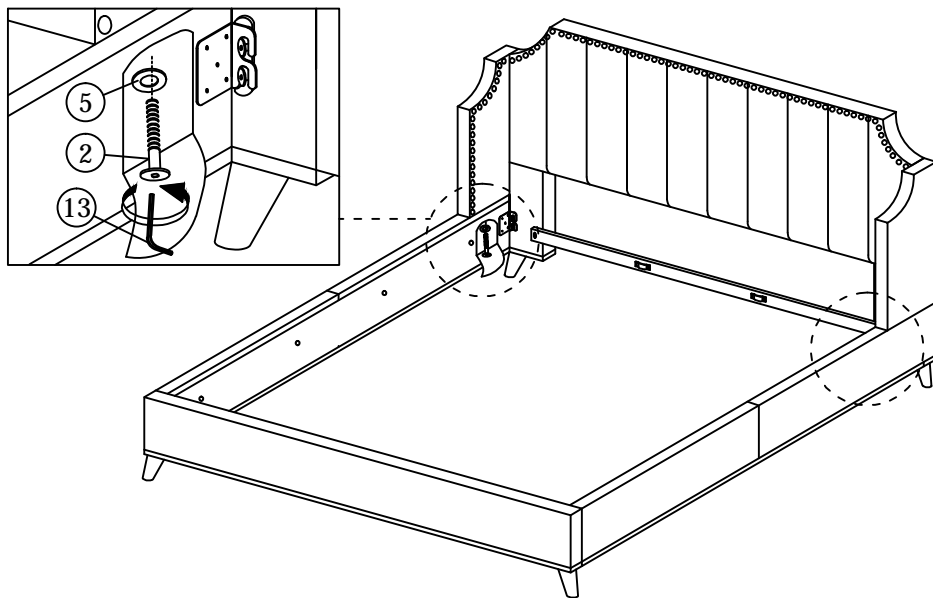


STEP 6

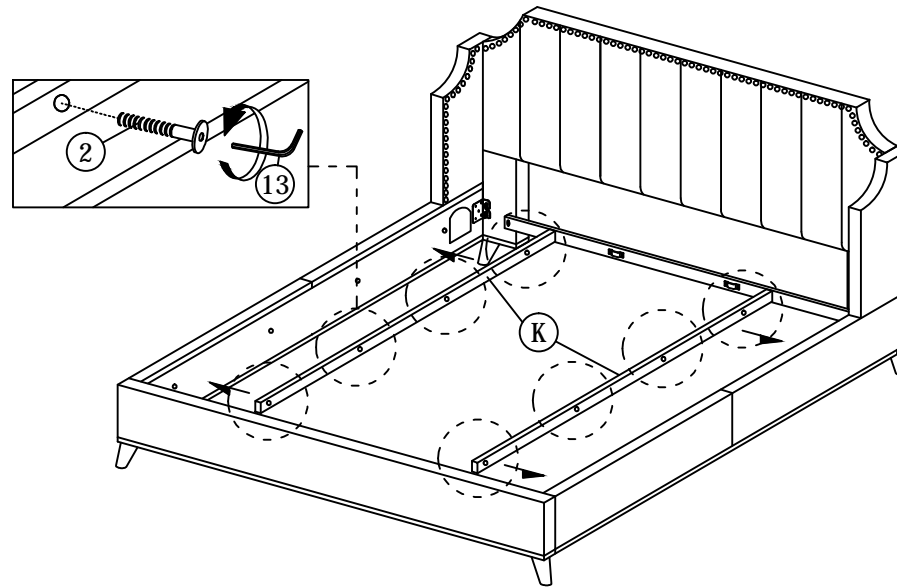


ASSEMBLY INSTRUCTIONS

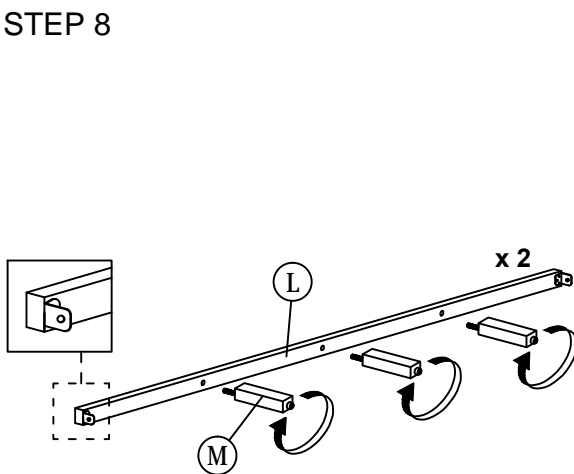
STEP 7



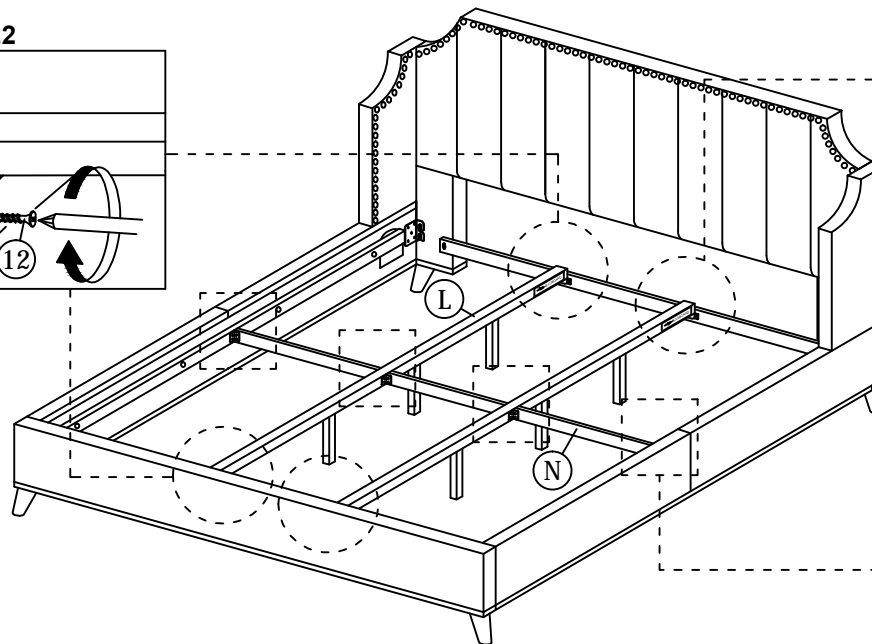
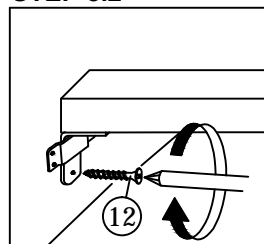
STEP 8



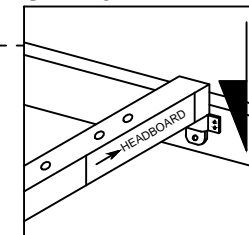
STEP 8



STEP 8.2

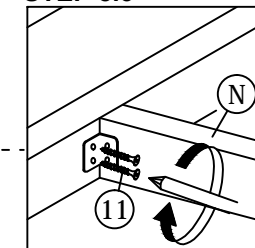


STEP 8.1



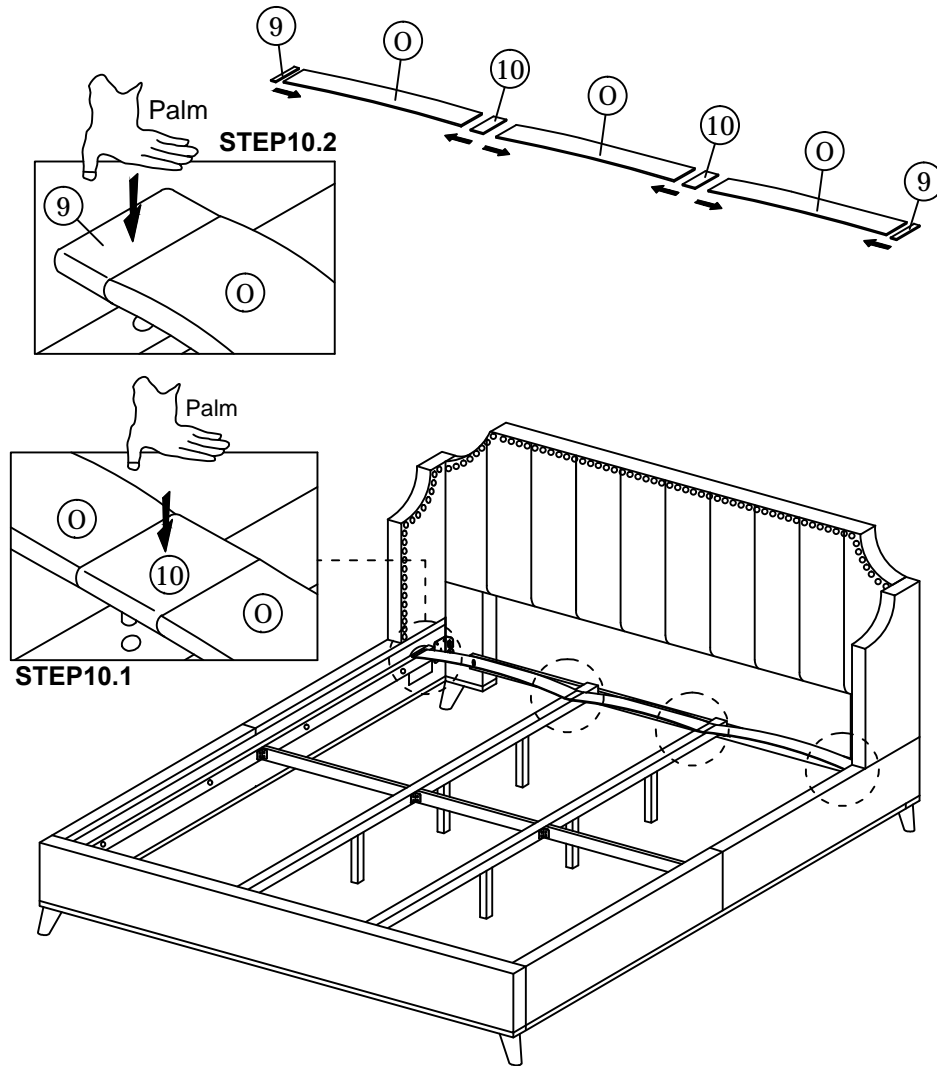
Note: Make sure the sticker
"-> HEADBOARD" faced to
headboard [A]

STEP 8.3



ASSEMBLY INSTRUCTIONS

STEP 10



STEP 11



*** When moving the bed position, the center support legs must be adjust to be straight to avoid any broken problem.**