

# **SAFETY WARNING**

- 1. Follow the information on the warnings appearing on the upper bunk end structure and on the carton. Do not remove warning label from bed.**
- 2. Always use the recommended size mattress or mattress support, or both, to help prevent the likelihood of entrapment or falls.**
- 3. Surface of mattress must be at least 5 in. (127 mm) below the upper edge of guardrails.**
- 4. Do not allow children under 6 years of age to use the upper bunk.**
- 5. Prohibit more one person on upper bunk.**
- 6. Periodically check and ensure that the guardrail, ladder, and other components are in their proper position free from damage, and that all connectors are tight.**
- 7. Do not allow horseplay on or under the bed and prohibit jumping on the bed.**
- 8. Always use the ladder for entering and leaving the upper bunk.**
- 9. Do not use substitute parts. Contact the manufacturer or dealer for replacement parts.**
- 10. Use of a night light may provide added safety precaution for a child using the upper bunk.**
- 11. Always use guardrails on both long sides of the upper bunk. If the bunk bed will be placed next to the wall, the guardrail that run the full length of the bed should be placed against the wall to prevent entrapment between the bed and wall.**
- 12. The use of water or sleep flotation mattress is prohibited.**
- 13. Keep these instructions for future reference.**
- 14. STRANGULATION HAZARD – Never attach or hang items to any part of the bunk bed that are not designed for use with the bed; for example, but not limited to, hooks, belts, and jump ropes.**

## **SIZE OF MATTRESS AND FOUNDATION:**

**Use only mattress, which is 37 ½ ” – 38 ½ ” width and 74” -75” long on upper bunk and 38 ½ ” wide and 74” long on lower bunk. Ensure that the thickness of the mattress does not exceed 6” and that the mattress surface at least 5” (127 mm) below upper edge of guardrail.**

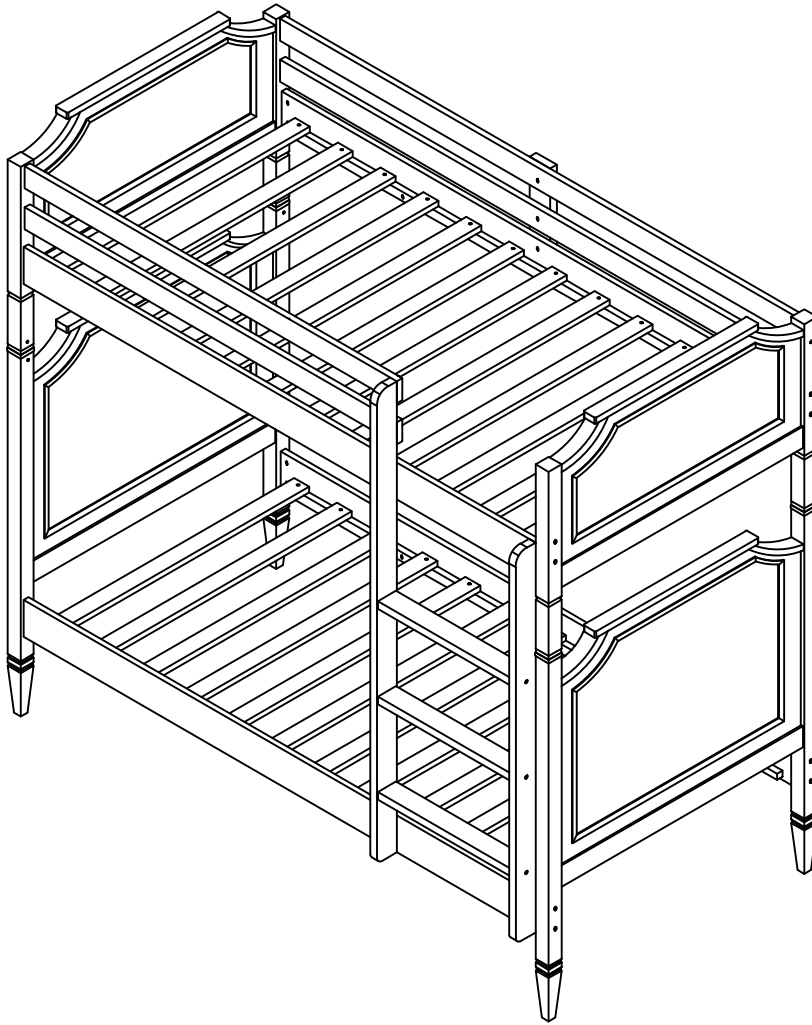
### **Replacement Parts:**

**Replacement parts, including additional guardrails may be obtained from factory and supplier.**

### **Certified:**

**This bunk bed conforms to all applicable consumer product safety standards ASTM F1427-13.**

# MARIANA BUNK BED



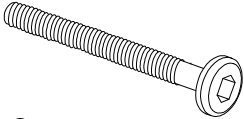
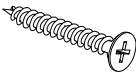
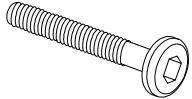
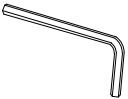
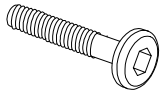
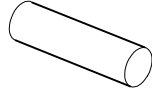

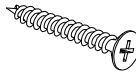
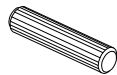
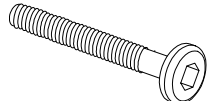
### ASSEMBLY TIPS

1. Remove hardware from box and sort by size.
2. Please ensure that all hardware and parts are presented prior start of assembly.
3. Please follow attached instruction in the same sequence as numbered to assure fast and easy assembly



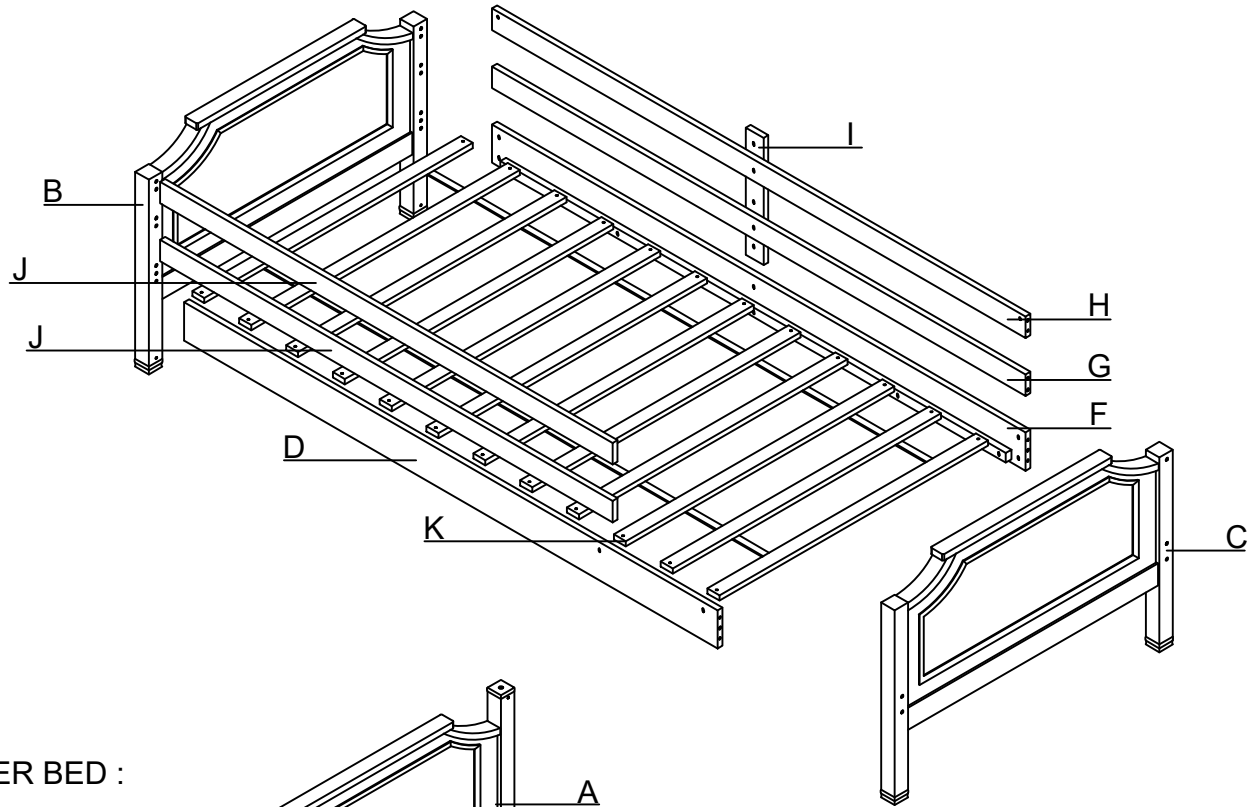
### WARNING!

1. Don't attempt to repair or modify part that are broken or defective. Please contact with the store immediately.
2. This product is for home use only and not intended for commercial establishment.

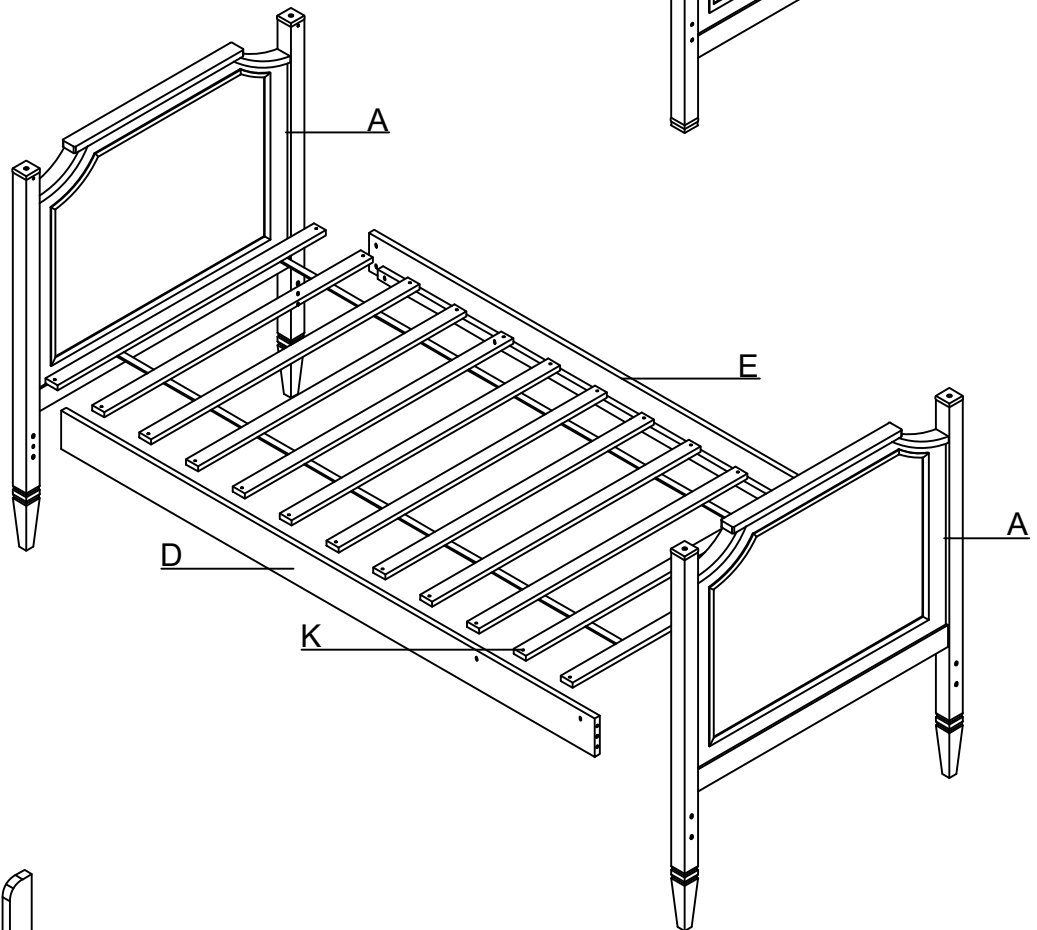
NO	HARDWARE LIST	QTY	NO	HARDWARE LIST	QTY
1	 JCBC M6 x 80mm	20 PCS	6	 CSK M4 x 25mm	48 PCS
2	 JCBC M6 x 35mm	6 PCS	7	 ALLEN KEY M4	1 PCS
3	 JCBC M6 x 30mm	3 PCS	8	 WOODEN PIN	4 PCS
4	 BARREL NUT	26 PCS	9	 CSK M4 x 20mm	8 PCS
5	 WOODEN DOWER	28 PCS	10	 JCBC M6 x 50mm	6 PCS

# PART LIST

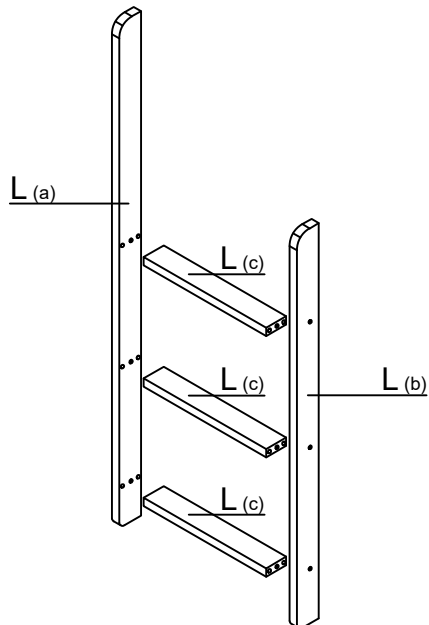
## UPPER BED :



## LOWER BED :

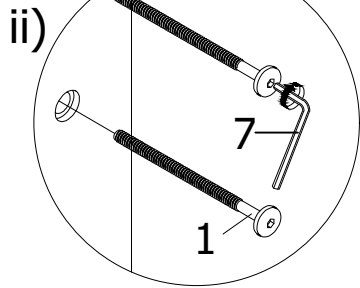
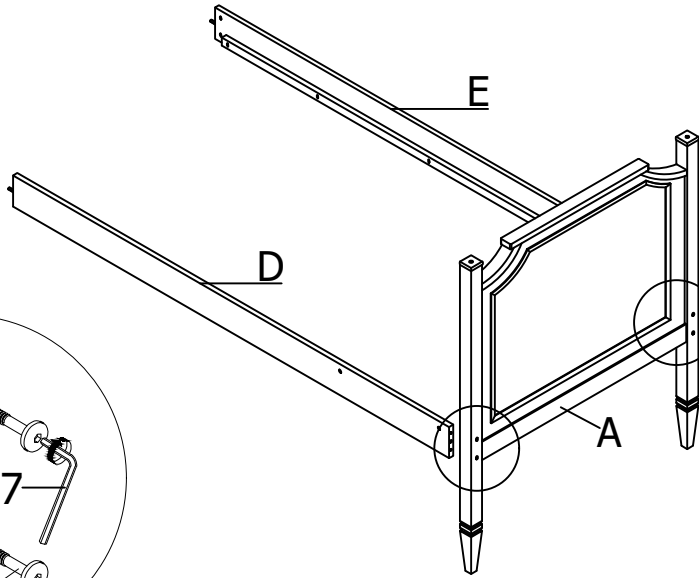
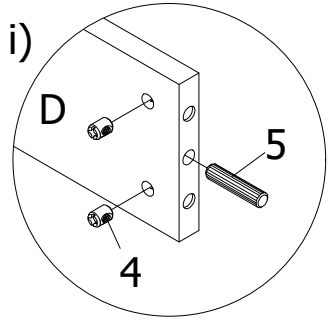


## LADDER :

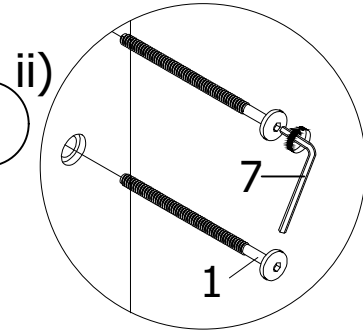
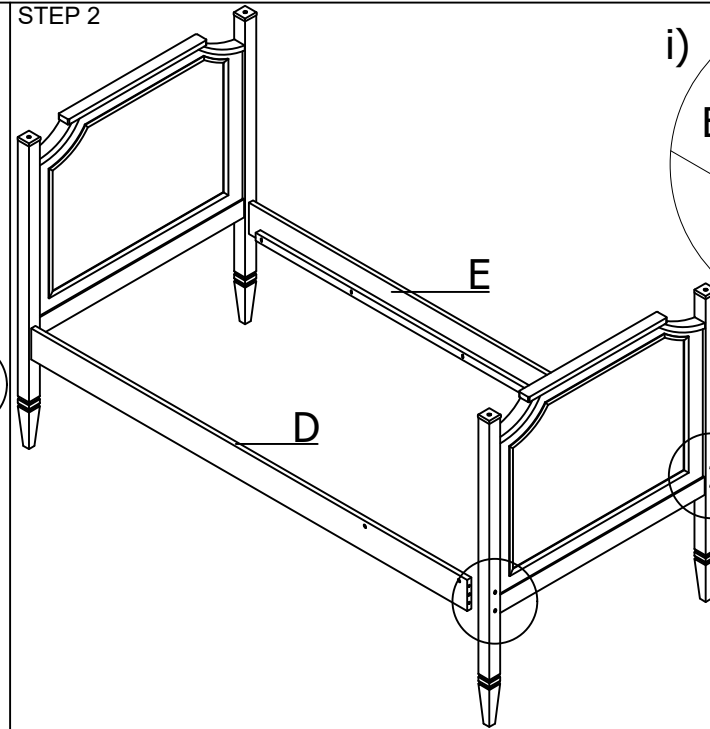
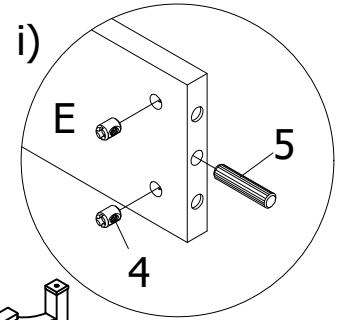


# ASSEMBLY INSTRUCTION

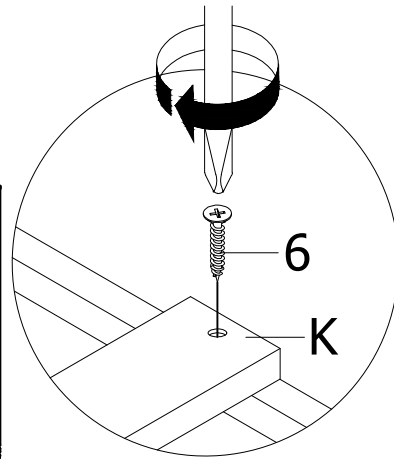
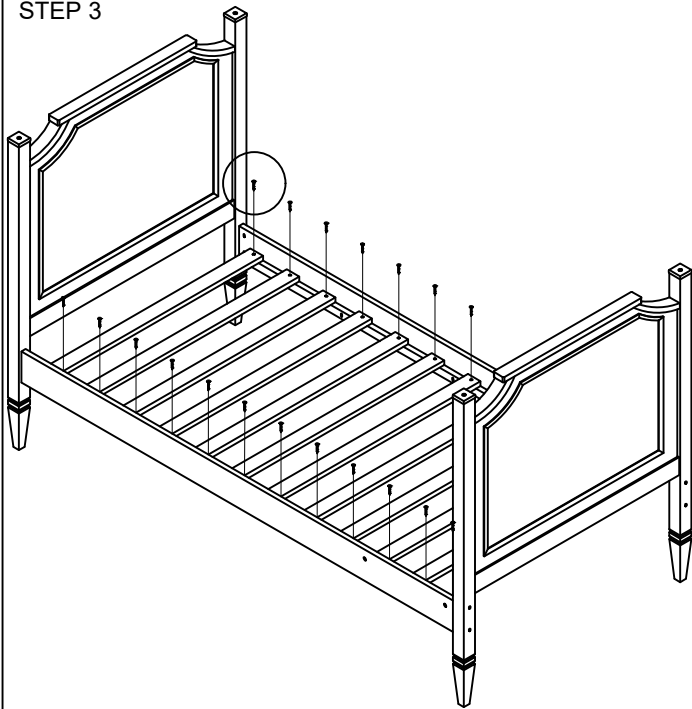
STEP 1



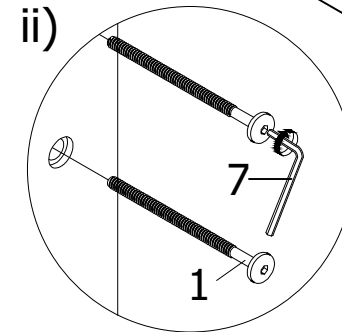
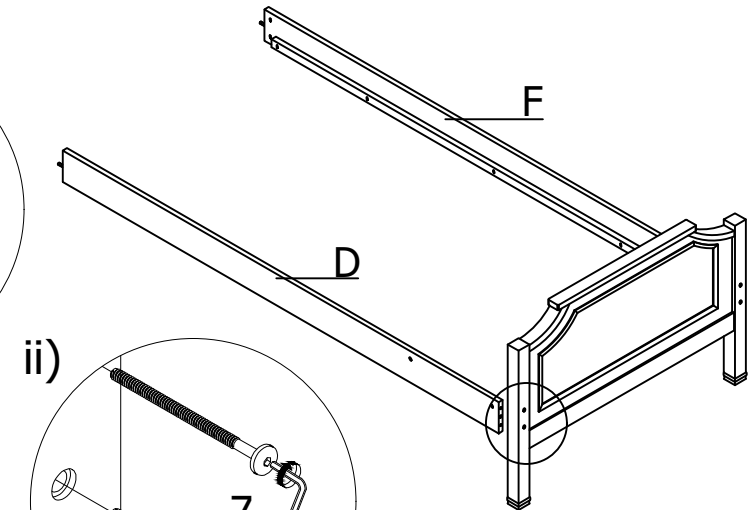
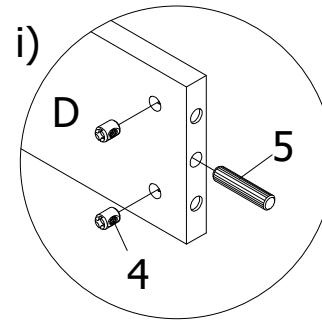
STEP 2



STEP 3

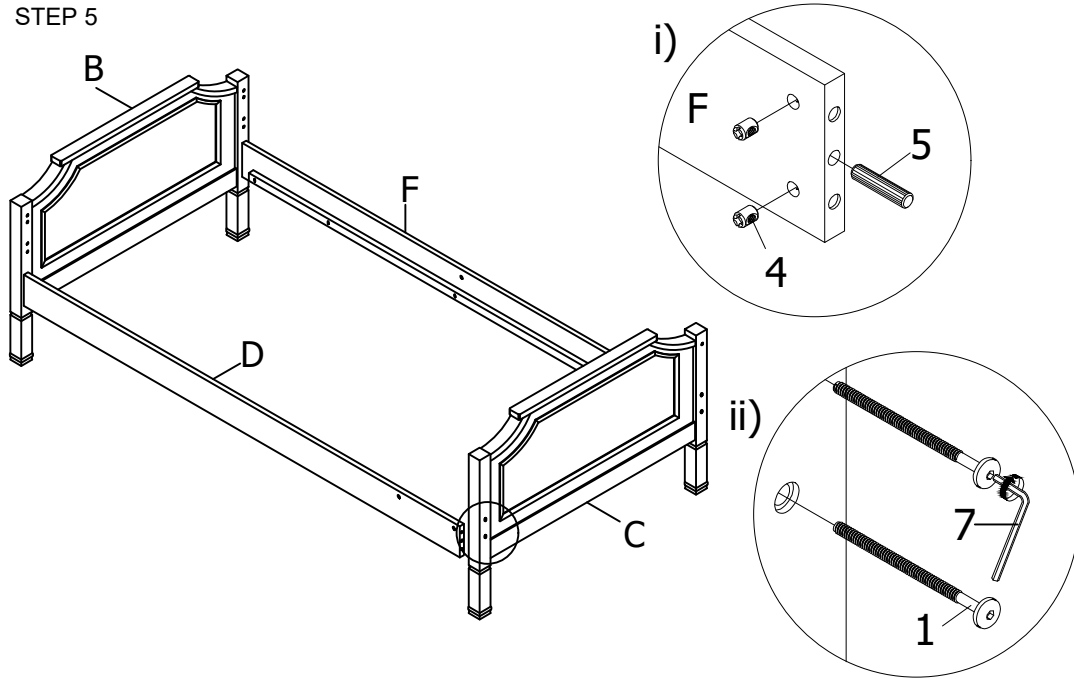


STEP 4

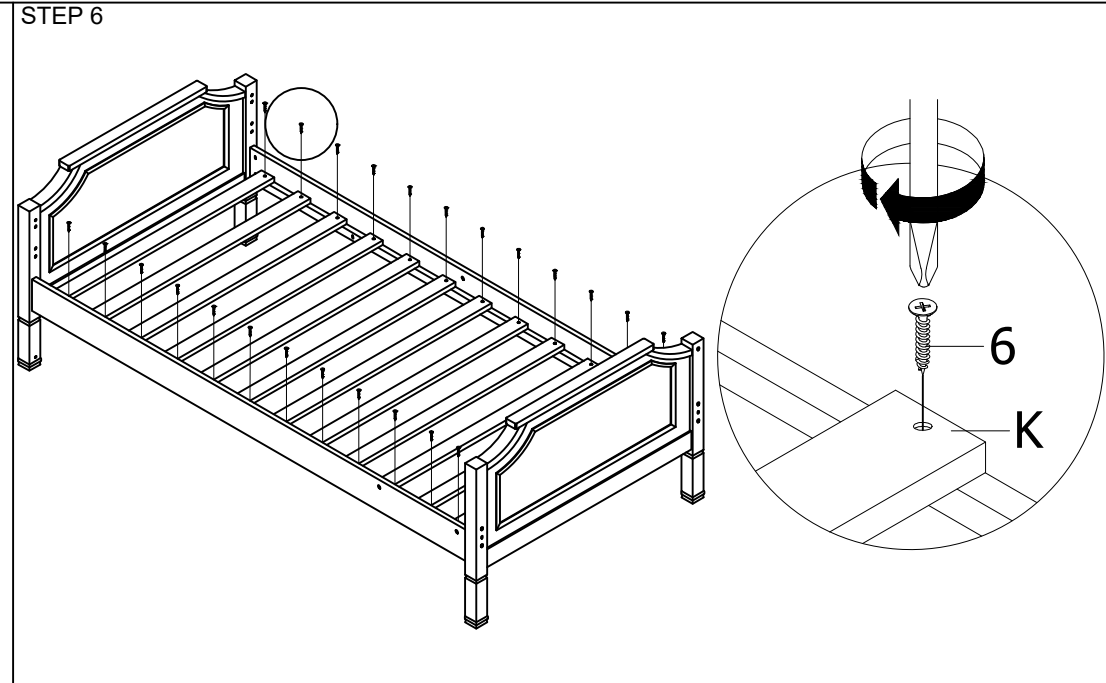


# ASSEMBLY INSTRUCTION

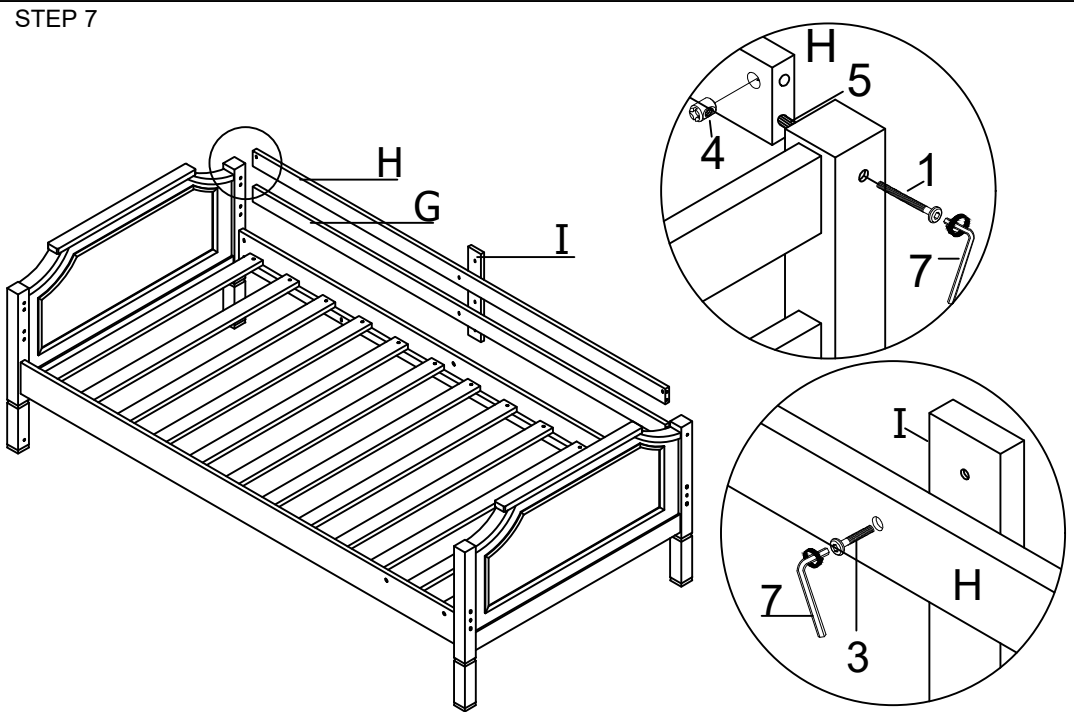
STEP 5



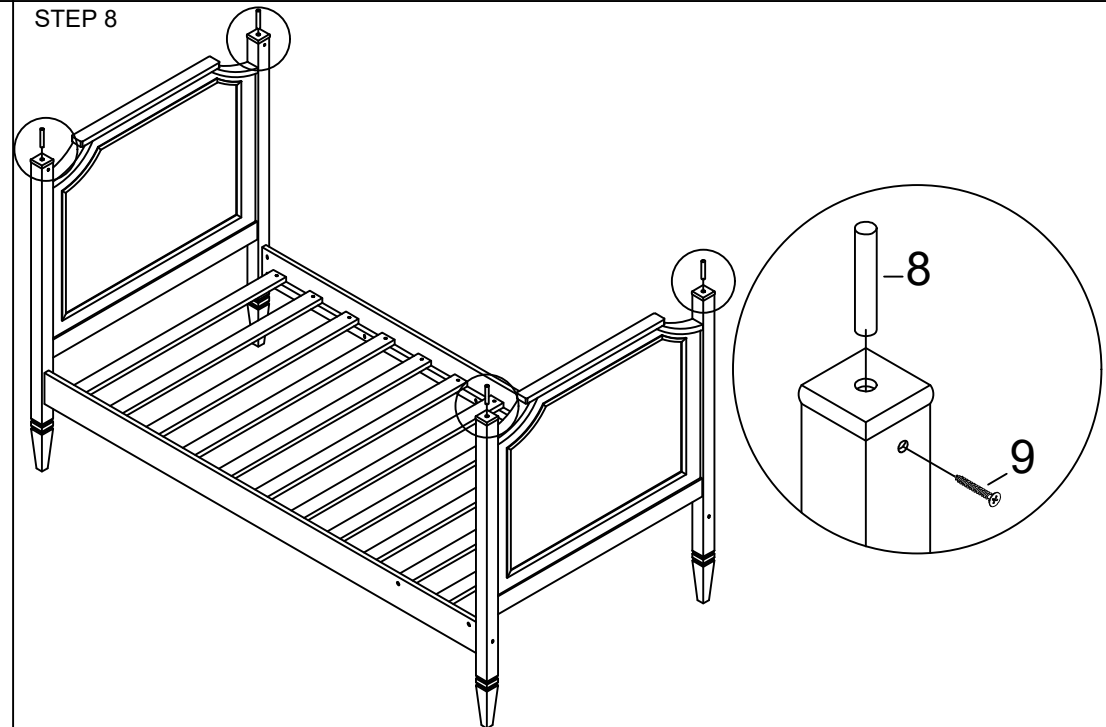
STEP 6



STEP 7

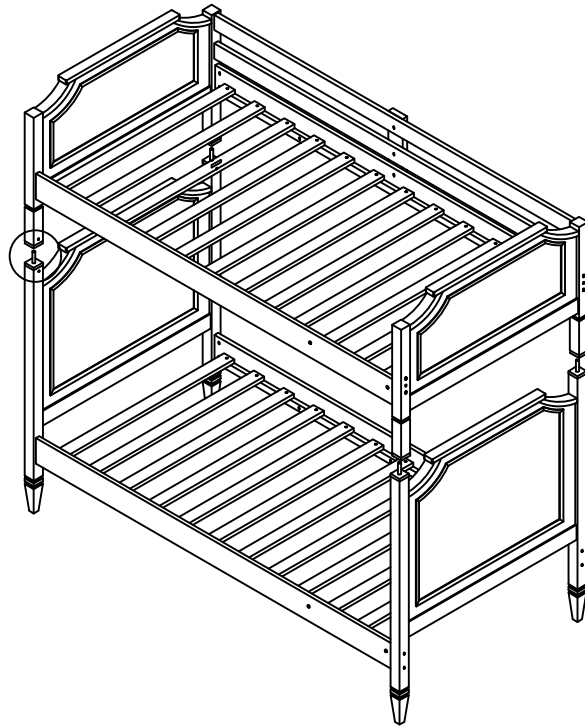
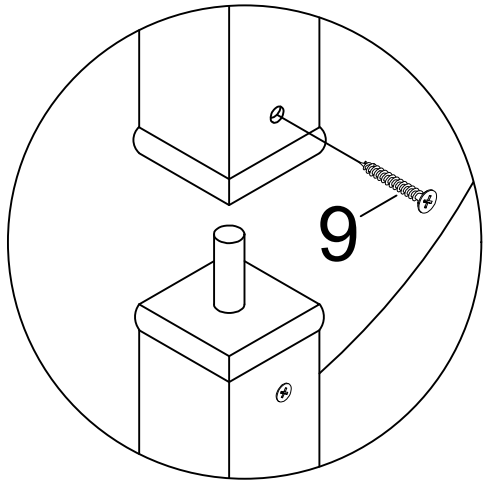


STEP 8

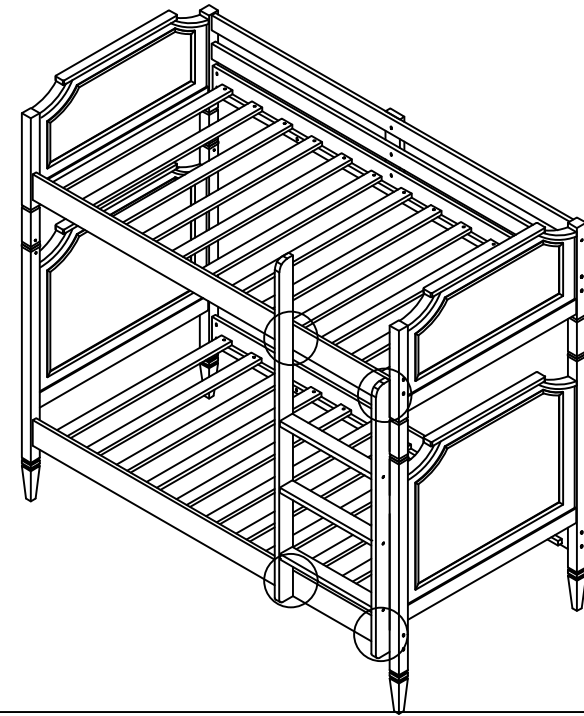
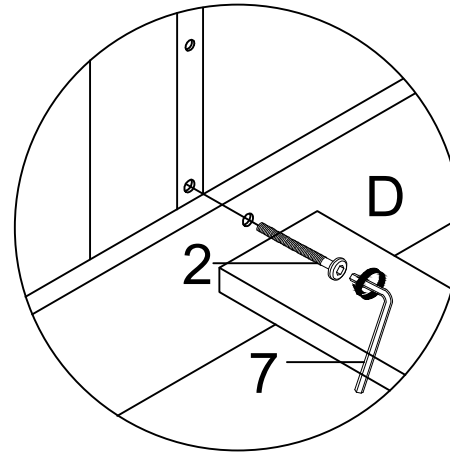


# ASSEMBLY INSTRUCTION

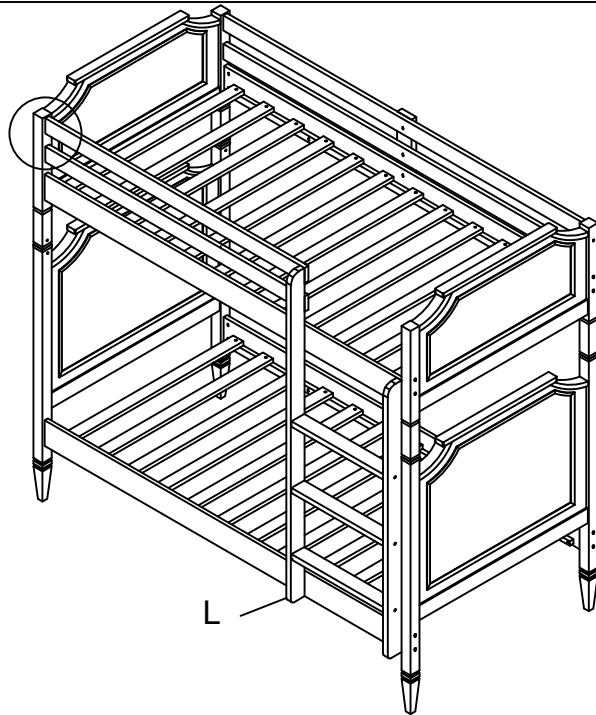
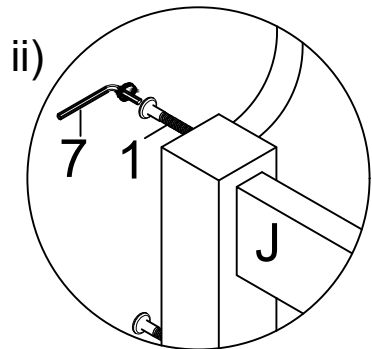
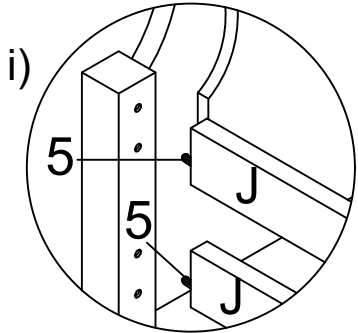
STEP 9



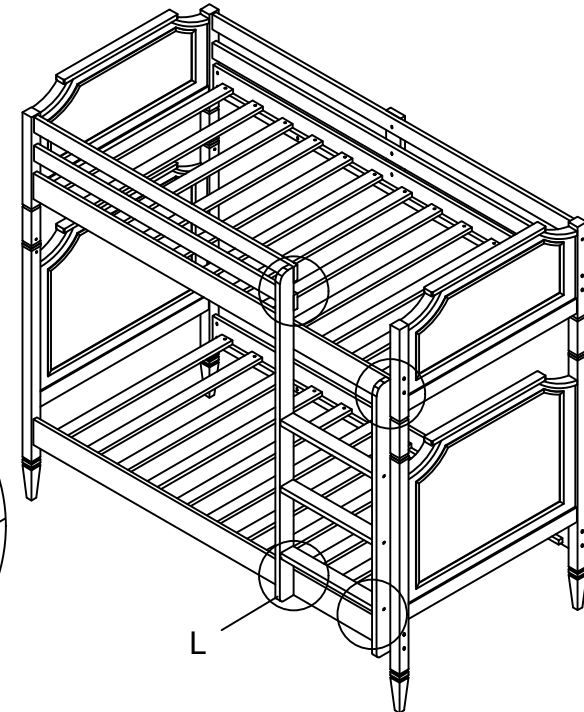
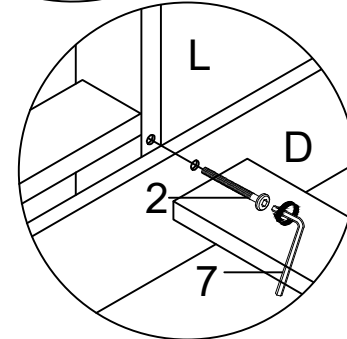
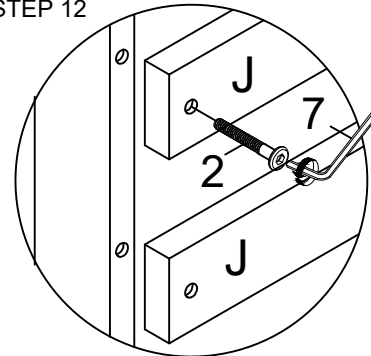
STEP 10



STEP 11

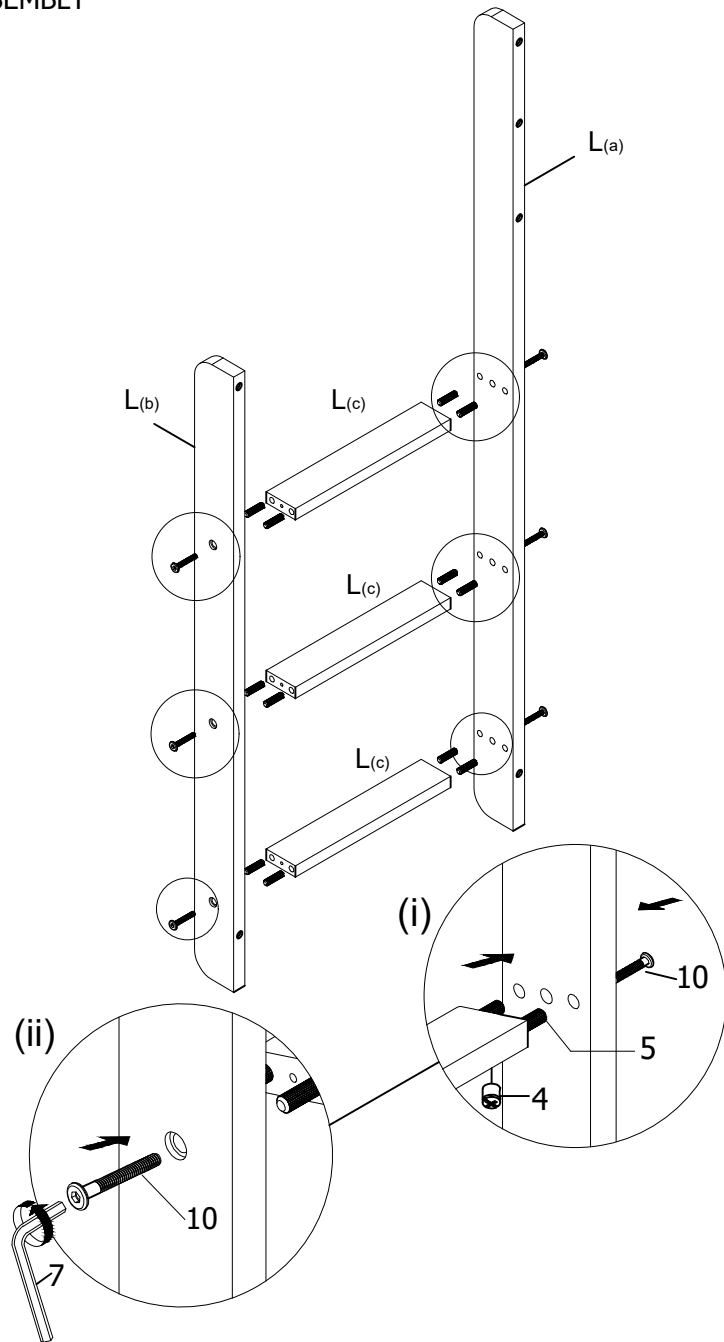


STEP 12



# ASSEMBLY INSTRUCTION

## LADDER ASSEMBLY



# ASSEMBLY INSTRUCTION

## LADDER ASSEMBLY

