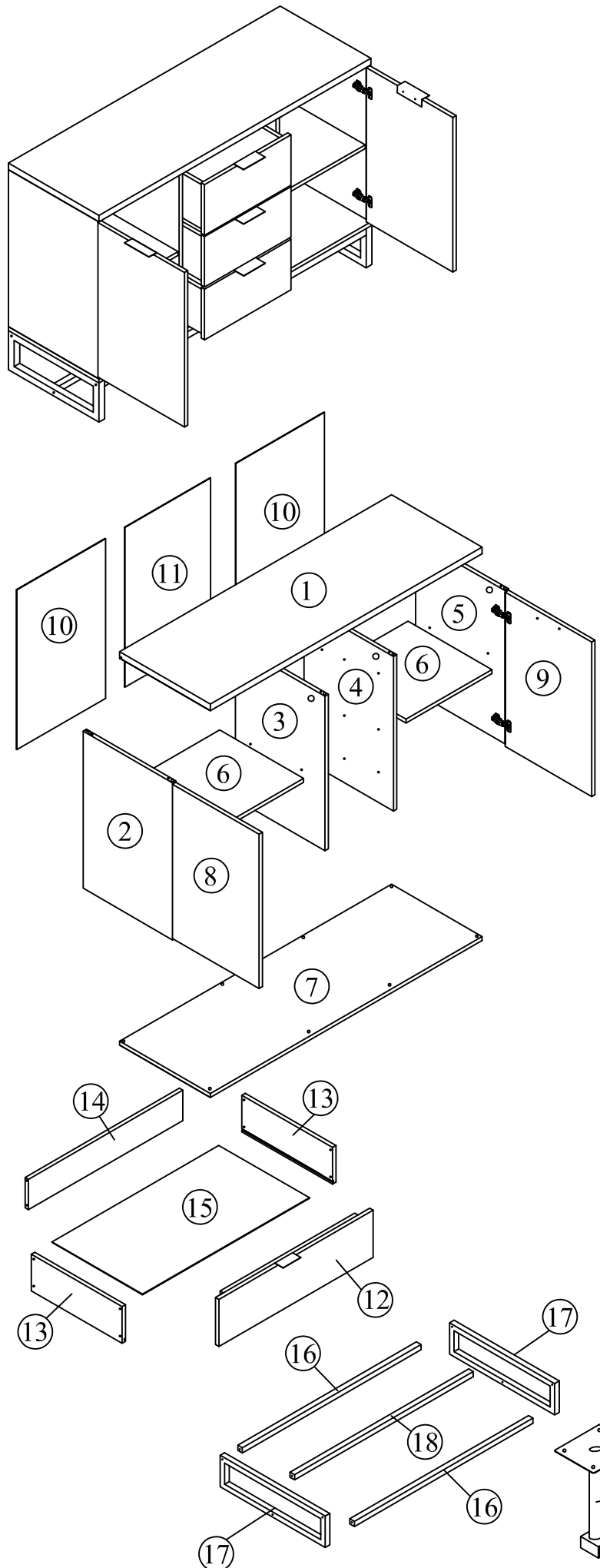


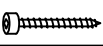




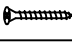
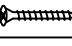








Assembly Instructions

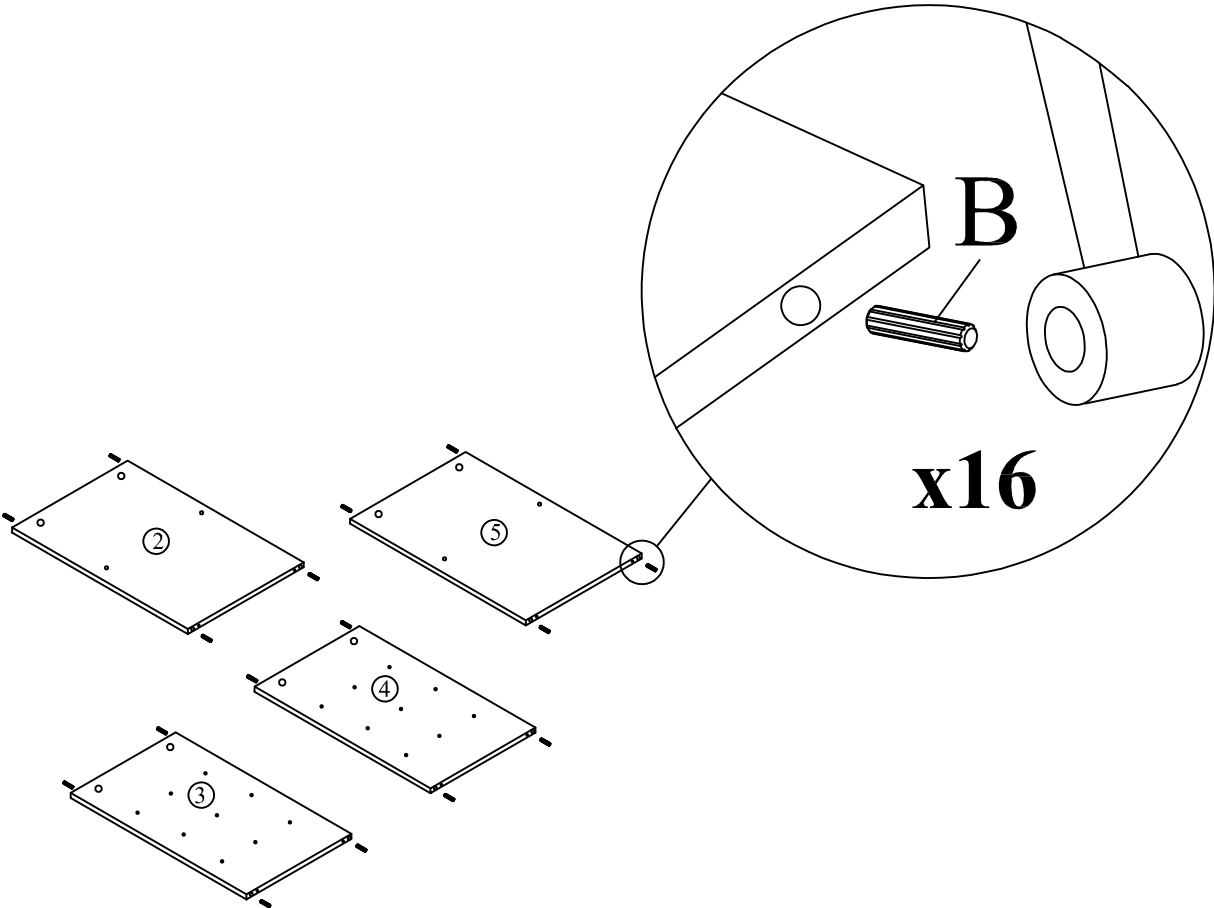
Model : MPC - 8007

| Part List | | QTY |
|-----------|-----------------------|-----|
| 1 | Top Panel | 1 |
| 2 | Left Side Panel | 1 |
| 3 | Middle Side Panel (L) | 1 |
| 4 | Middle Side Panel (R) | 1 |
| 5 | Right Side Panel | 1 |
| 6 | Middle Support Panel | 2 |
| 7 | Bottom Panel | 1 |
| 8 | Door Panel (L) | 1 |
| 9 | Door Panel (R) | 1 |
| 10 | Side Back Panel | 2 |
| 11 | Middle Back Panel | 1 |
| 12 | Drawer Front Panel | 3 |
| 13 | Drawer Side Panel | 6 |
| 14 | Drawer Back Panel | 3 |
| 15 | Drawer Bottom Panel | 3 |
| 16 | Metal Support Legs | 2 |
| 17 | Metal Frame Legs | 2 |
| 18 | Metal Center Leg | 1 |
| 19 | Support Leg | 1 |

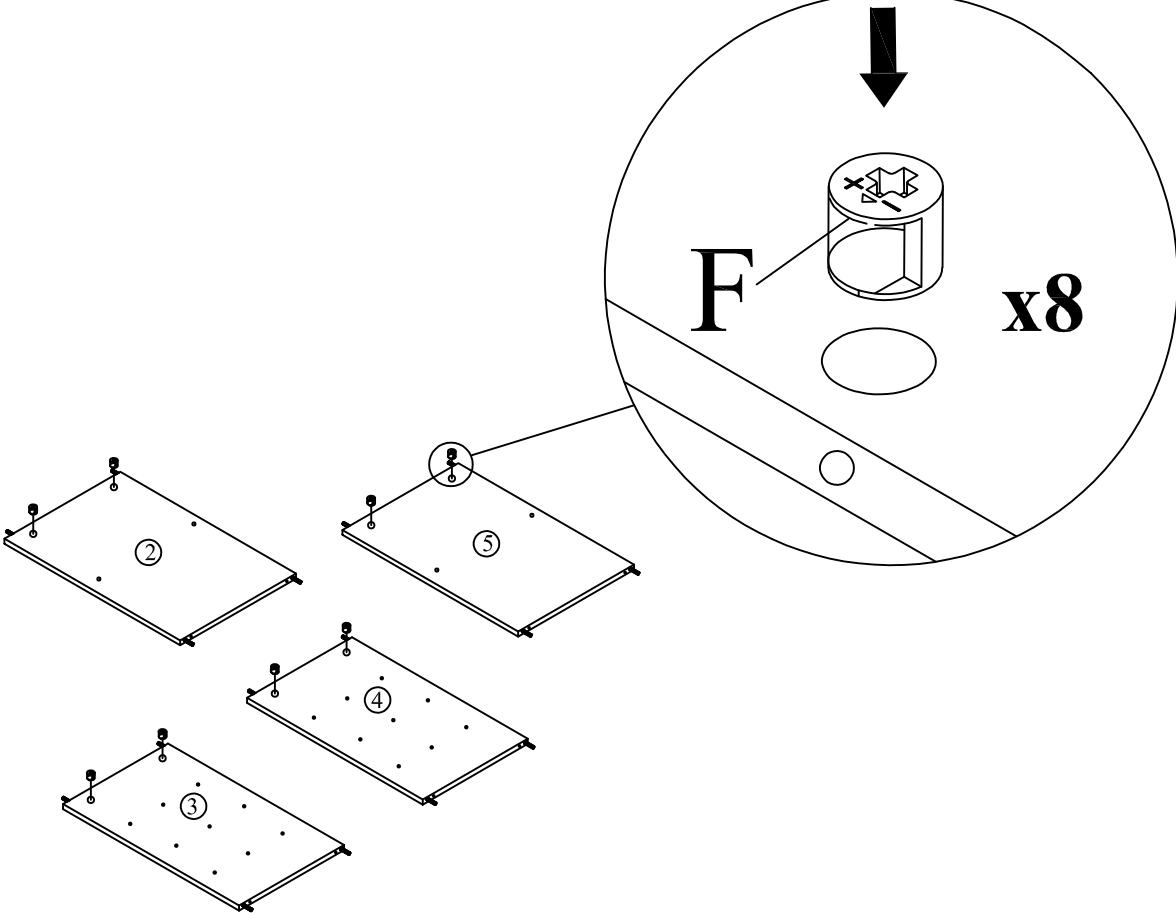


| Hardware | | QTY |
|----------|---|-----|
| A | Allen Key M4  | 1 |
| B | Plastic Dowel M8x25  | 16 |
| C | JCBC W Screw M6x40  | 8 |
| D | JCBC Screw M6x50 Flat & Spring Washers  | 6 |
| E | Mini Fix Bolt  | 8 |
| F | Mini Fix Housing  | 8 |
| G | Mini Fix Cap  | 8 |
| H | CSK Screw M4x32mm  | 6 |
| I | CSK Screw M4x50mm  | 24 |
| J | CSK Screw M3.5x16mm  | 90 |
| K | 14" Drawer Slide  | 3 |
| L | L Bracket  | 8 |
| M | Hinges  | 4 |
| N | Handle  | 5 |
| O | Shell Support Metal  | 8 |

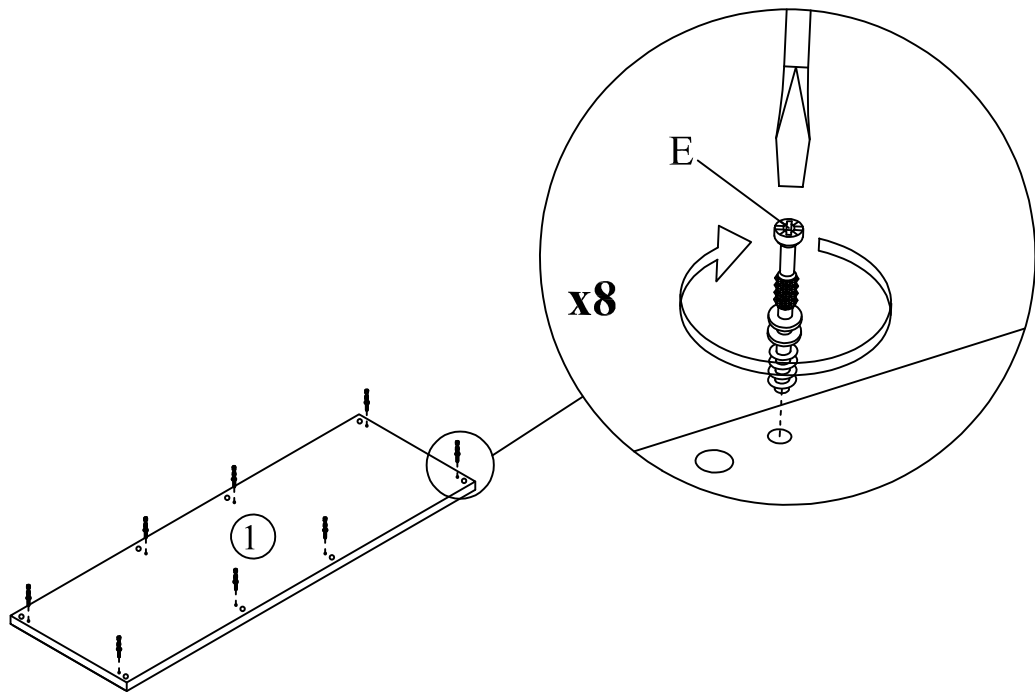
Step 1



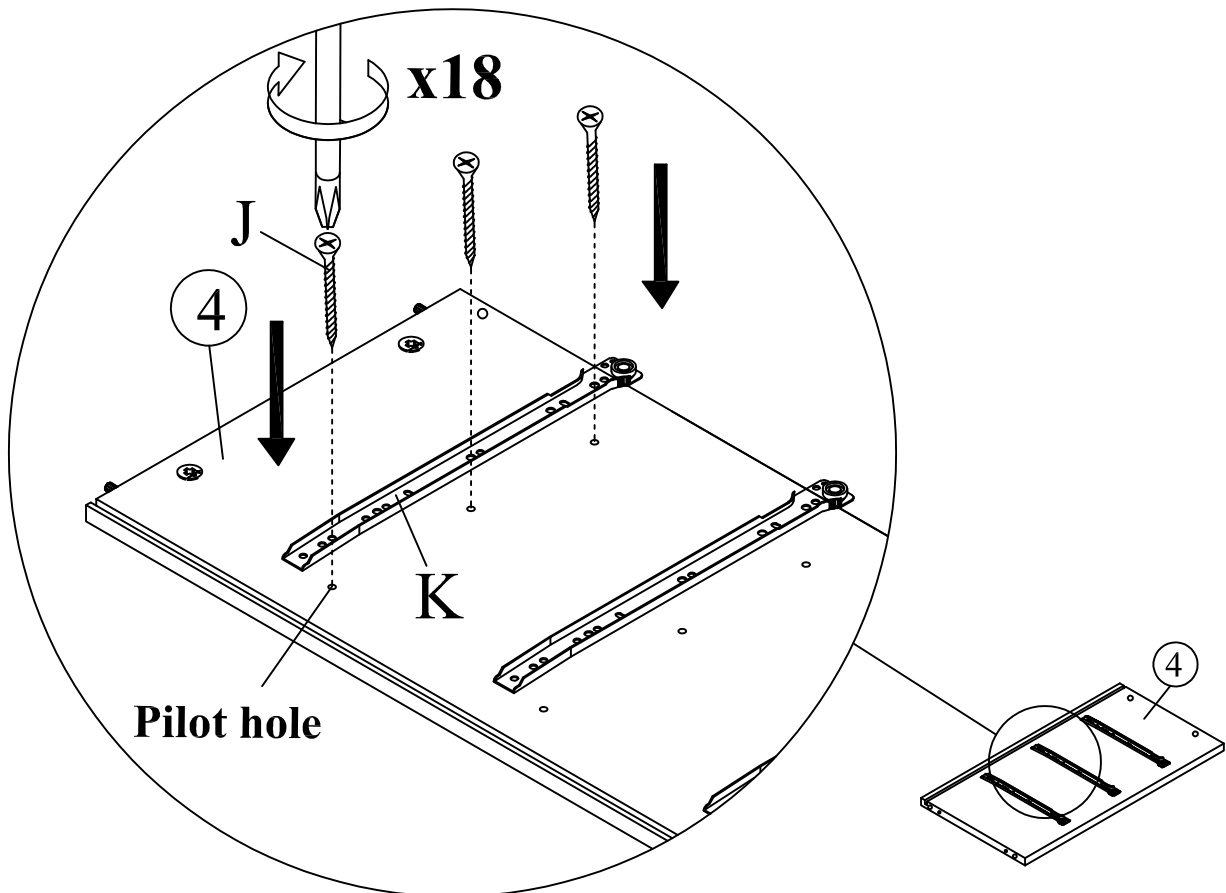
Step 2



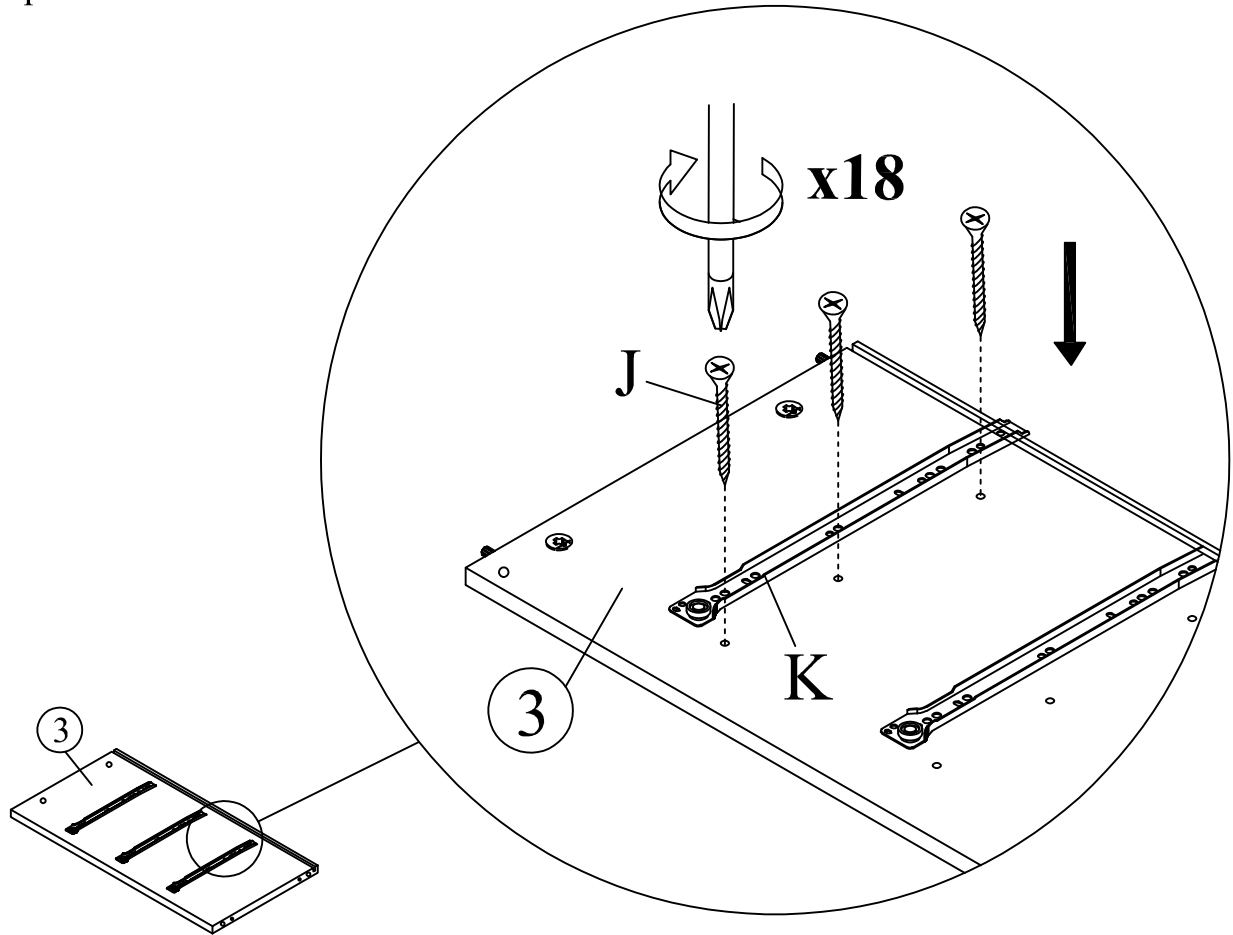
Step 3



Step 4

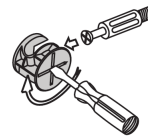


Step 5

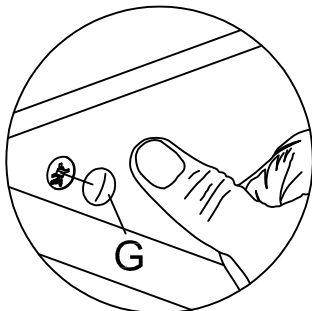


Step 6

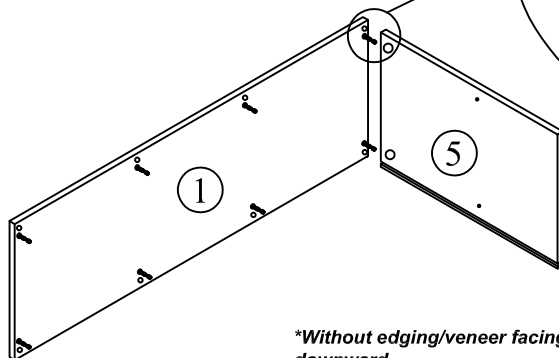
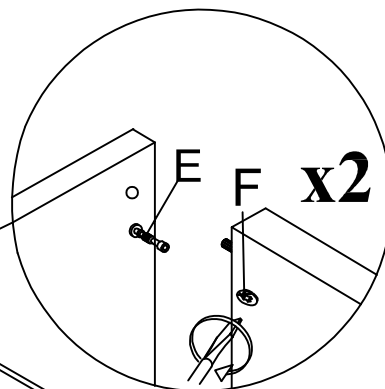
This is how a mini fix works...



The head of the mini fix housing goes into the open mouth of the mini fix bolt. You then turn the mini fix housing so it tightens over the mini fix bolt.



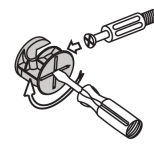
**Attach Minifix Cap as shown.*



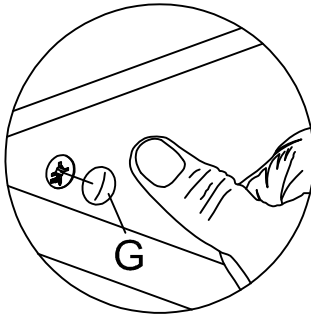
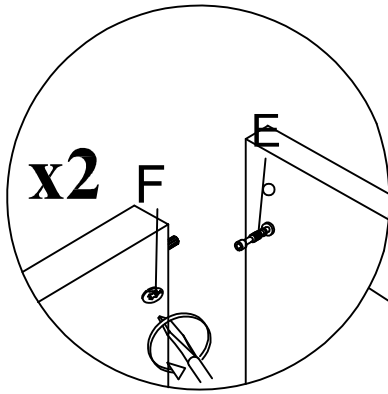
**Without edging/veneer facing downward*

Step 7

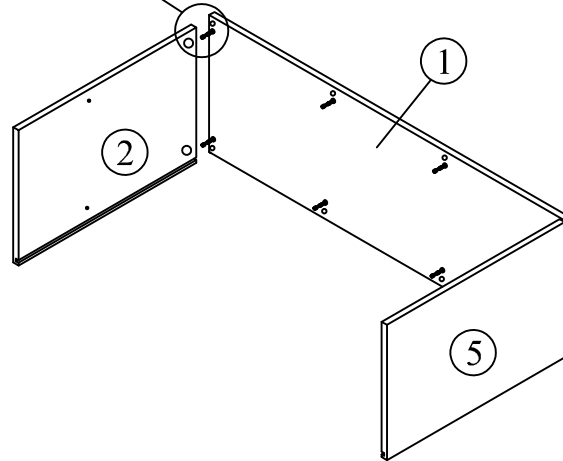
This is how a mini fix works...



The head of the mini fix housing goes into the open mouth of the mini fix bolt. You then turn the mini fix housing so it tightens over the mini fix bolt.

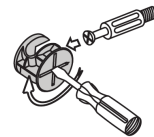


**Attach Minifix Cap as shown.*

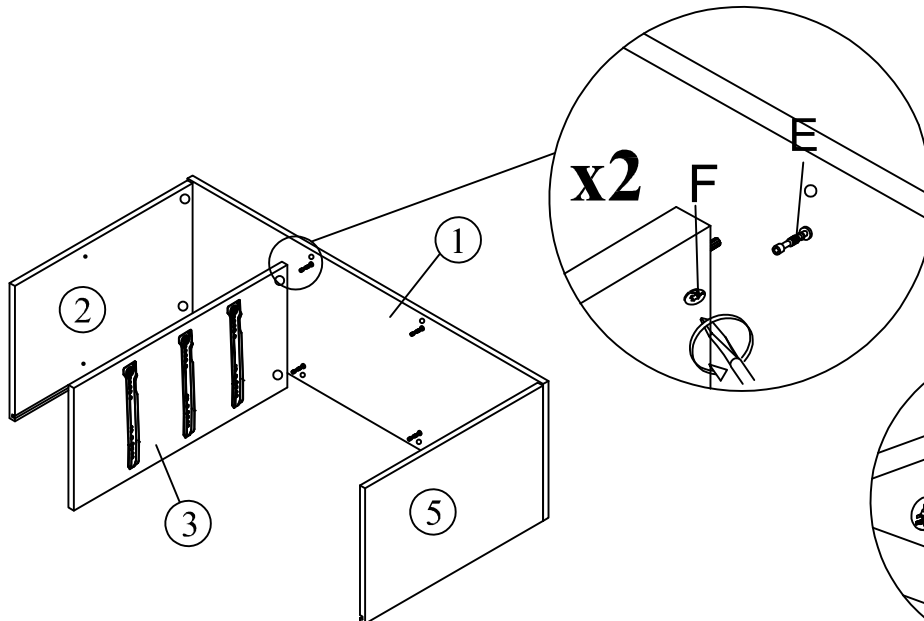


Step 8

This is how a mini fix works...

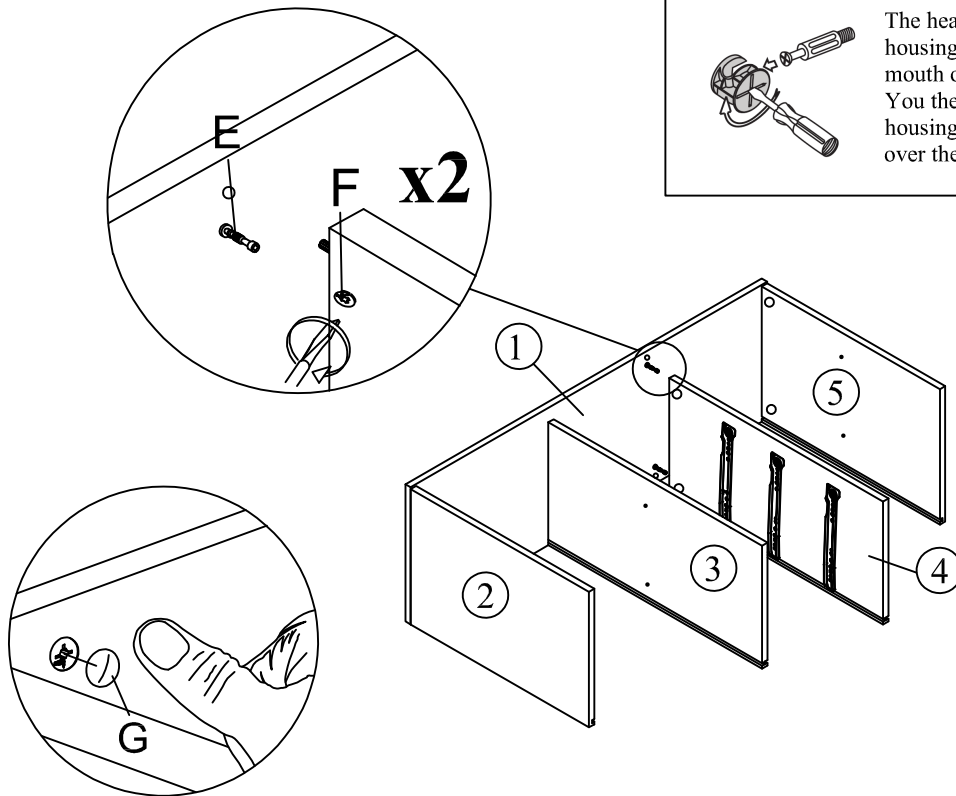


The head of the mini fix housing goes into the open mouth of the mini fix bolt. You then turn the mini fix housing so it tightens over the mini fix bolt.

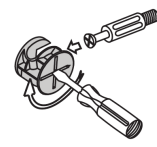


**Attach Minifix Cap as shown.*

Step 9



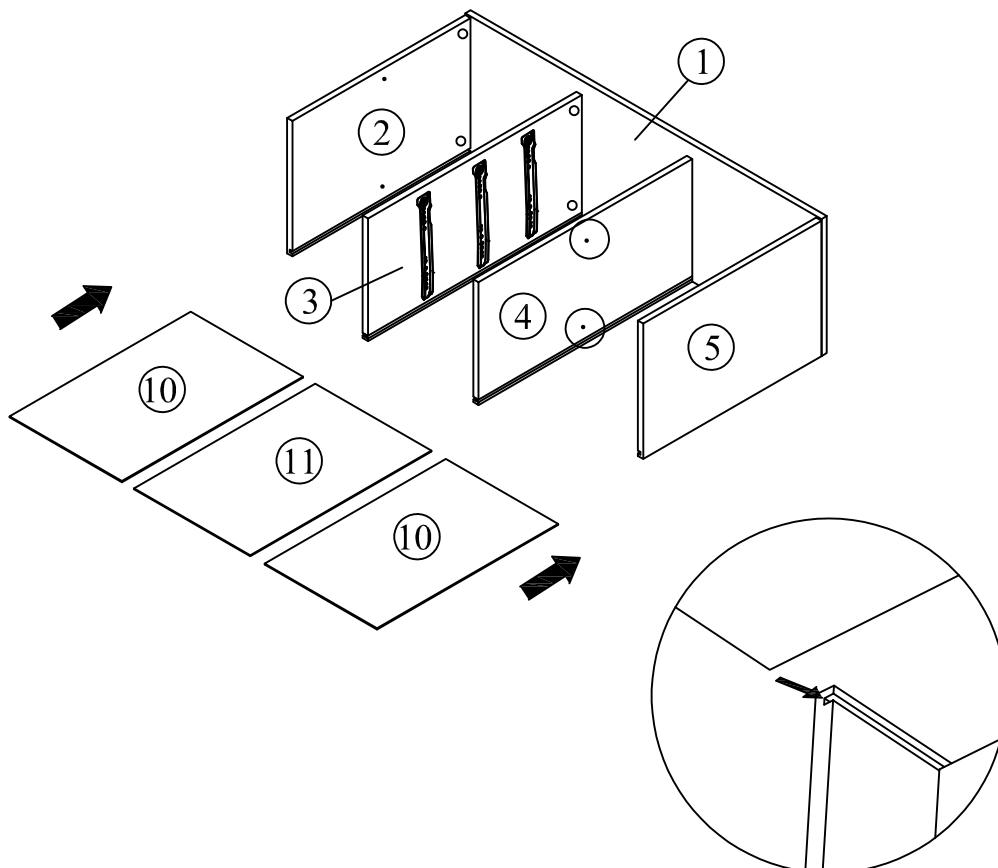
This is how a mini fix works...



The head of the mini fix housing goes into the open mouth of the mini fix bolt. You then turn the mini fix housing so it tightens over the mini fix bolt.

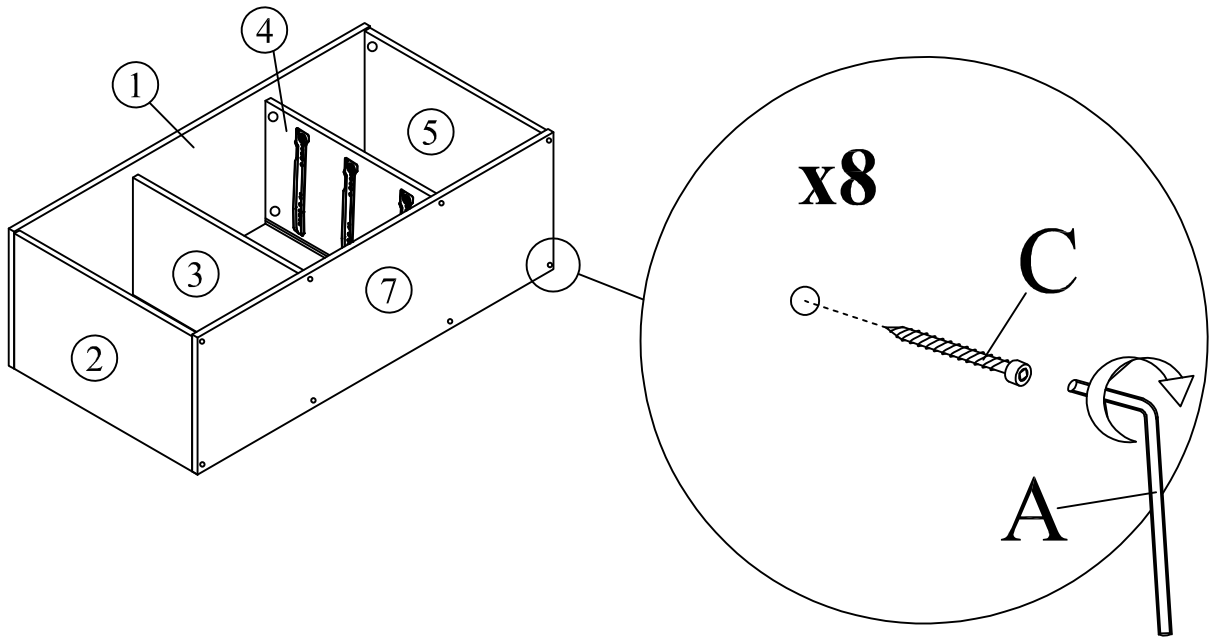
**Attach Minifix Cap as shown.*

Step 10

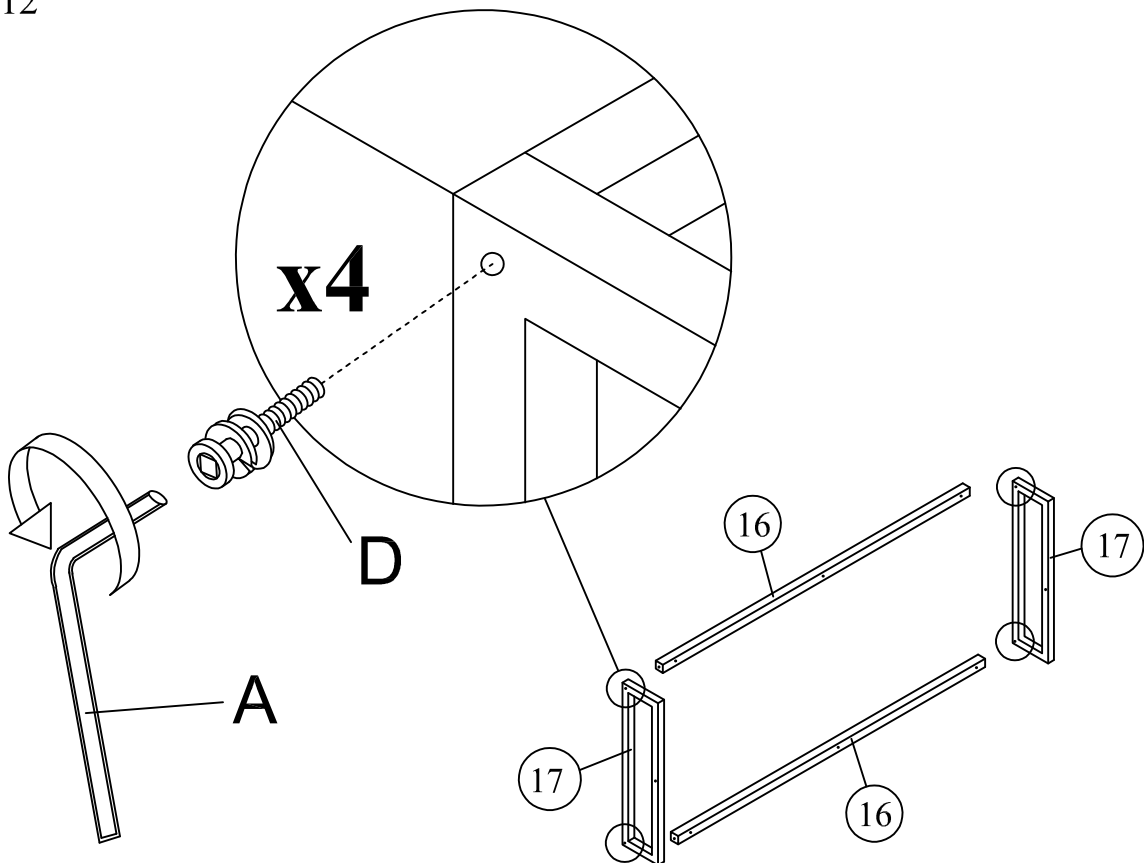


This is how to insert back panel

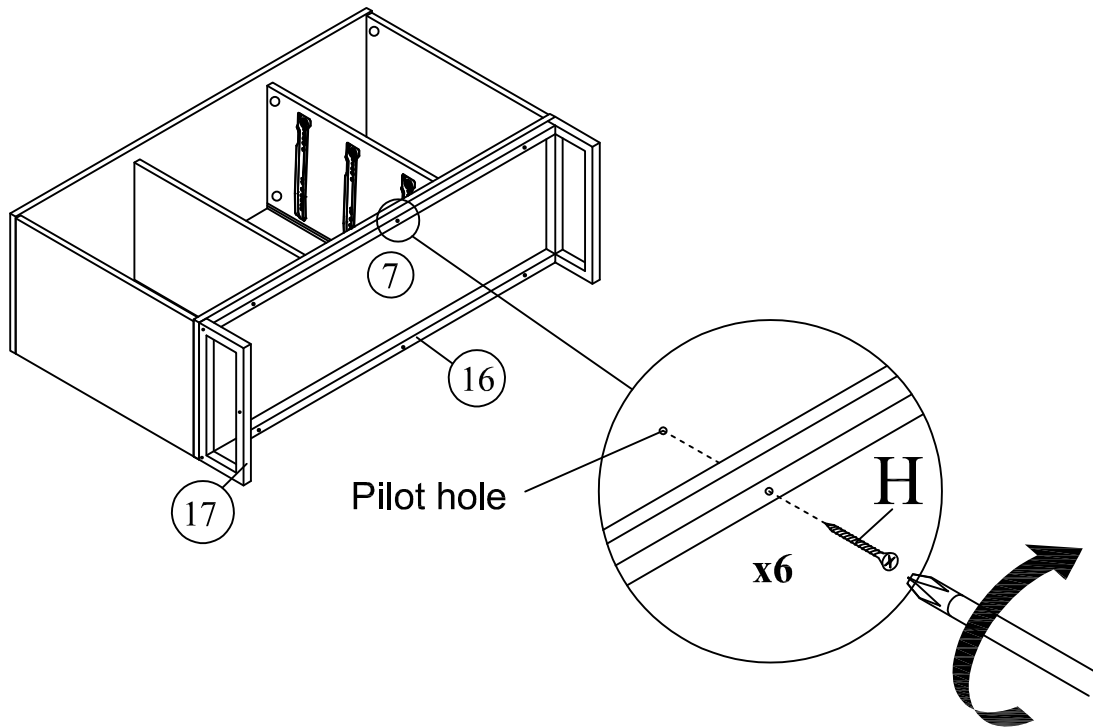
Step 11



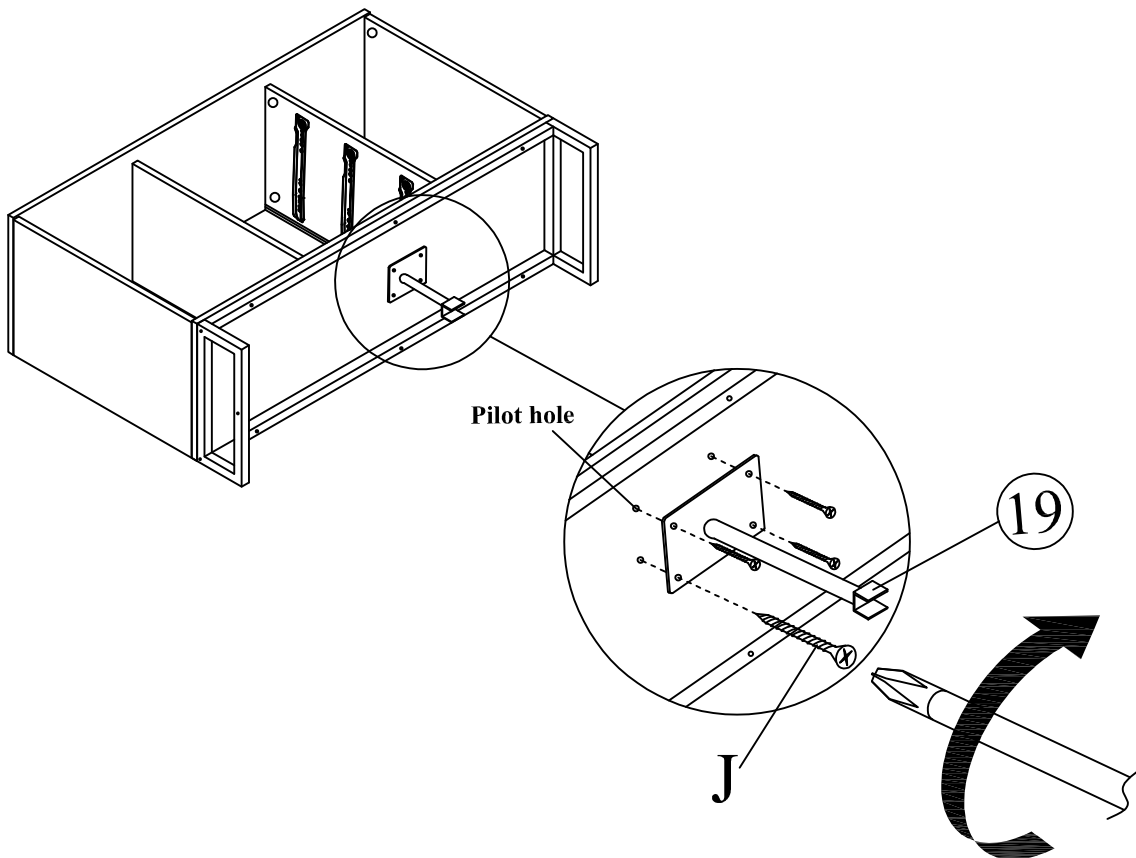
Step 12



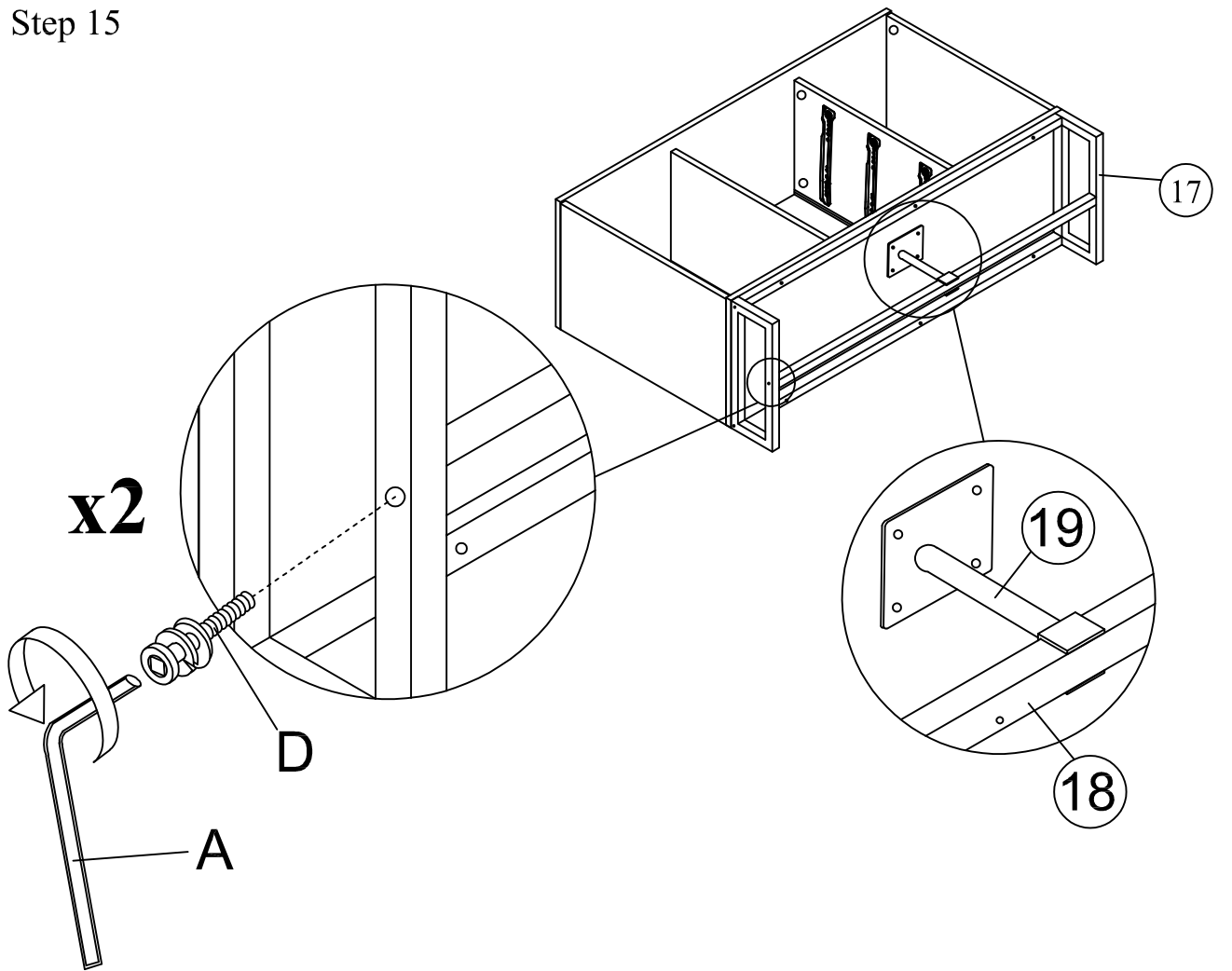
Step 13



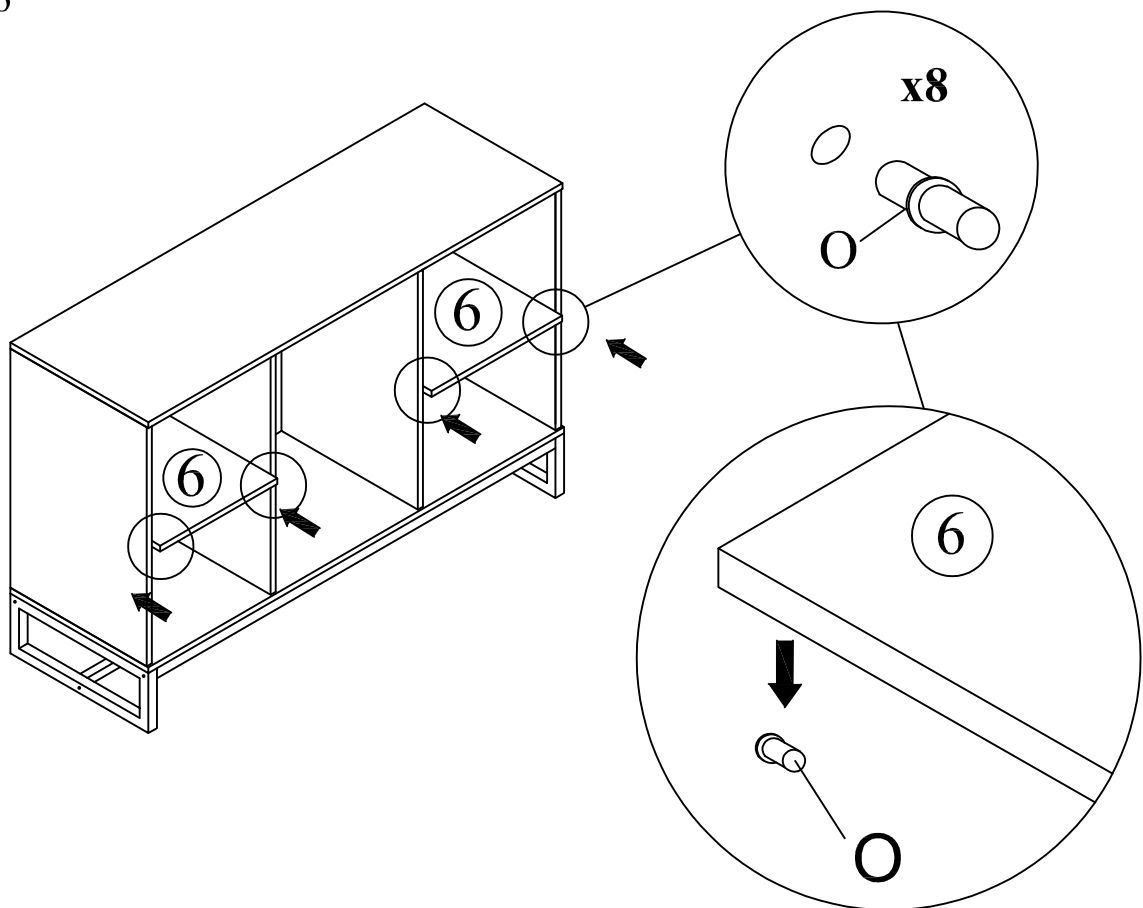
Step 14



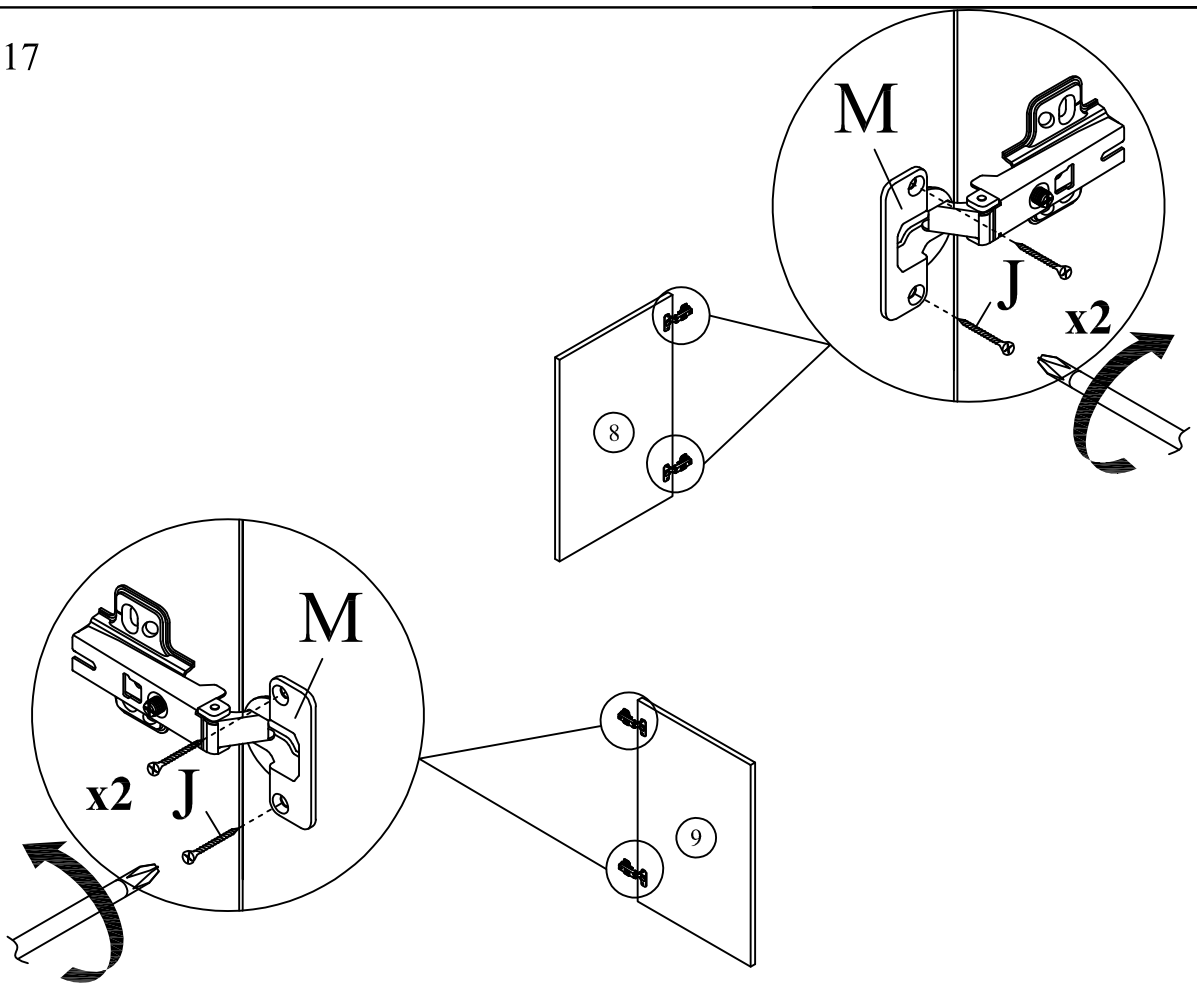
Step 15



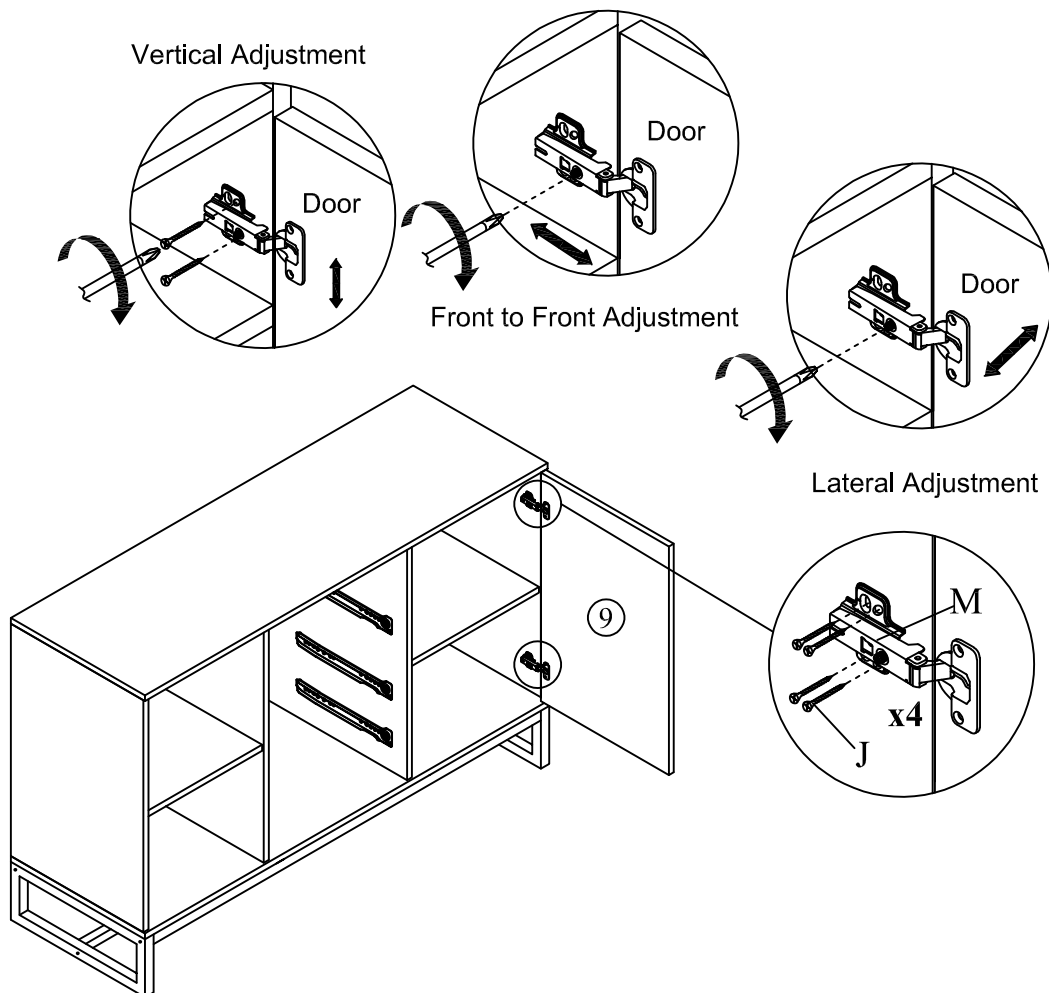
Step 16



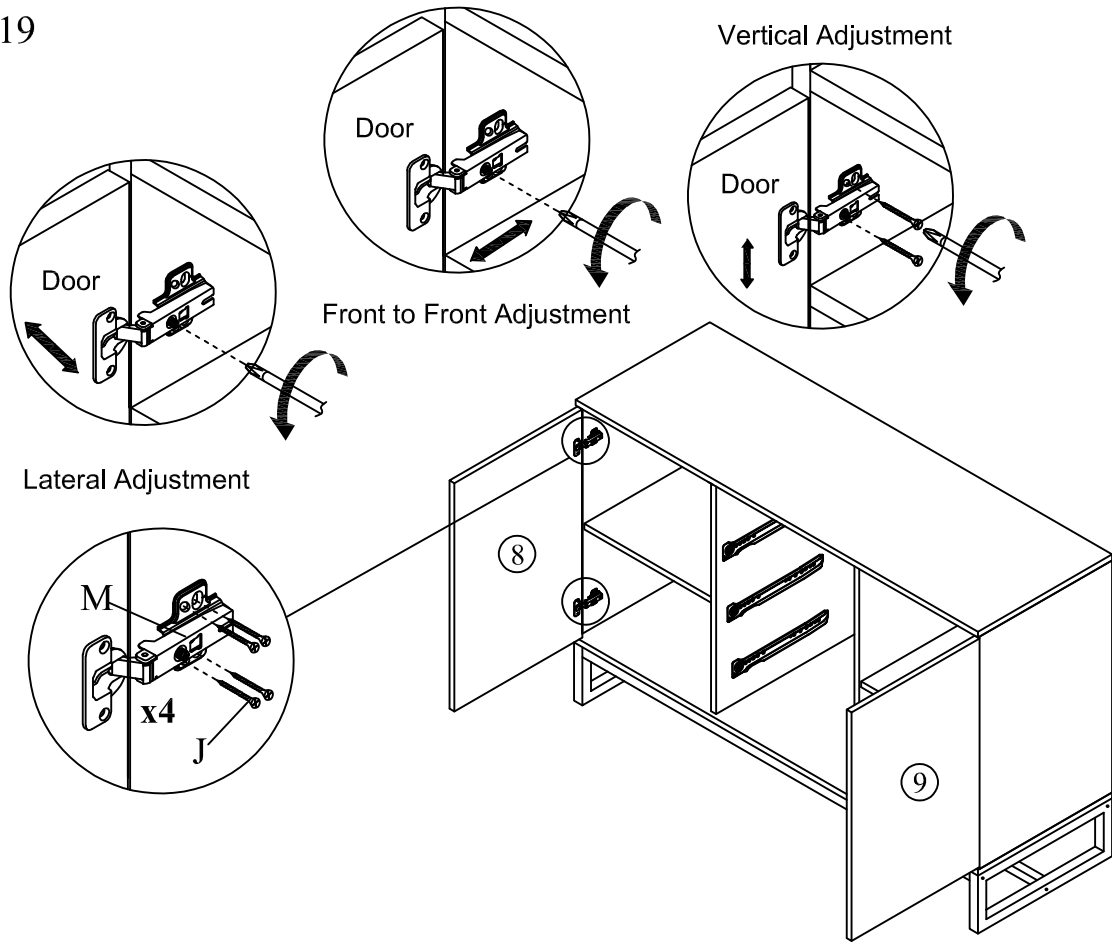
Step 17



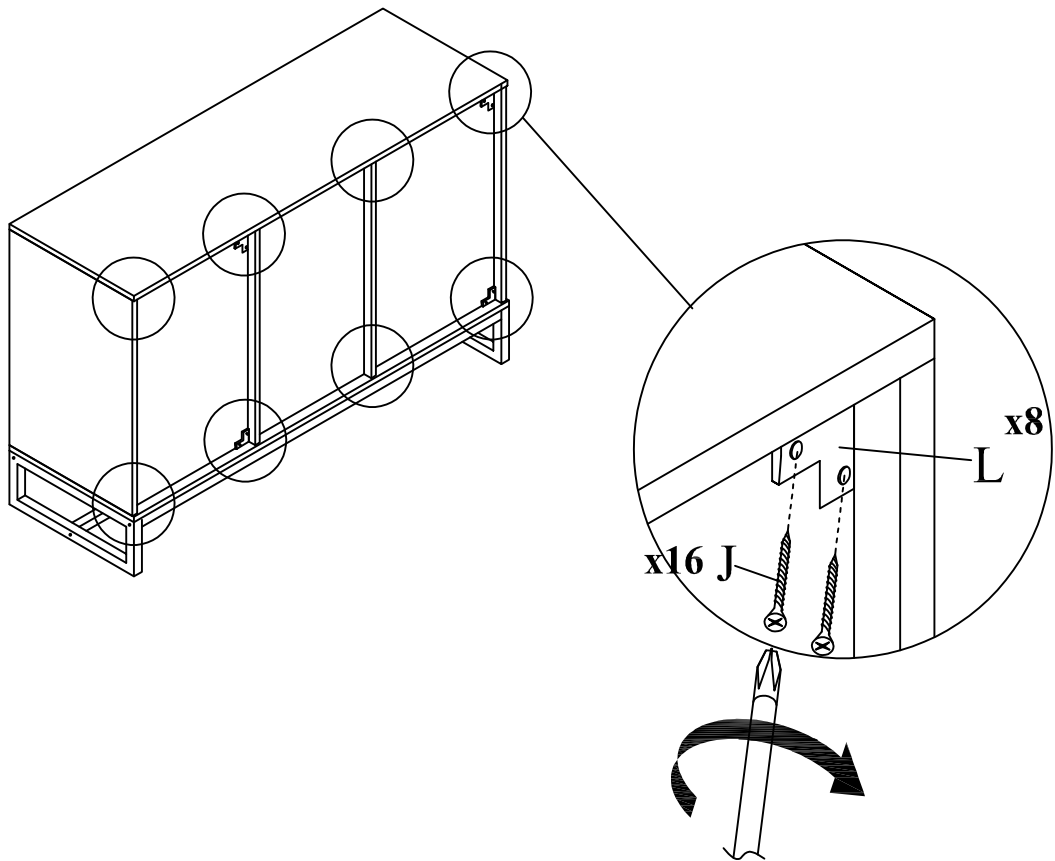
Step 18



Step 19

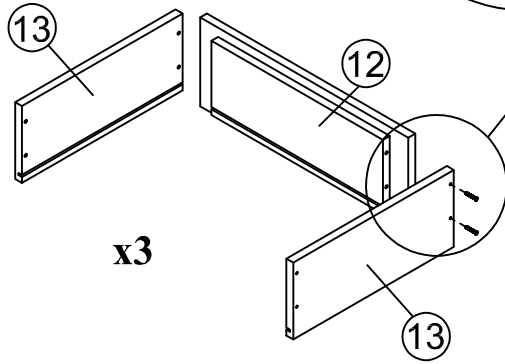


Step 20

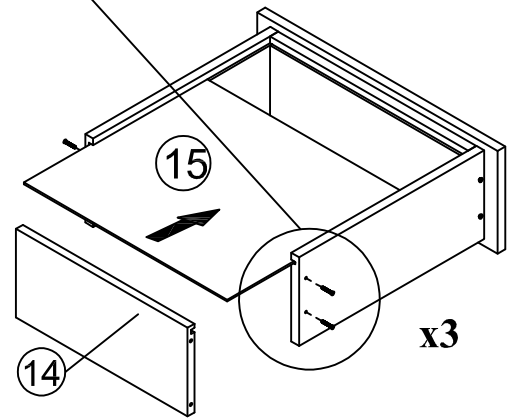


Step 21

Step 21.1

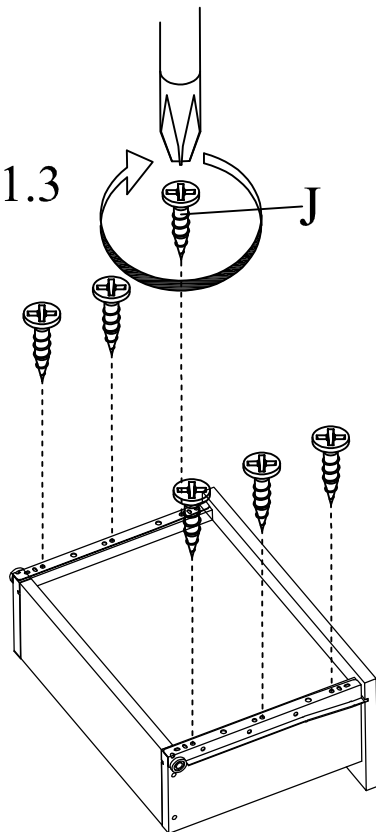


Step 21.2



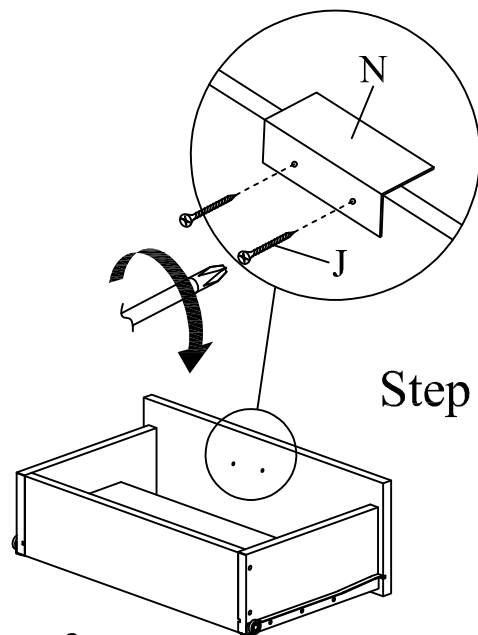
Back View

Step 21.3



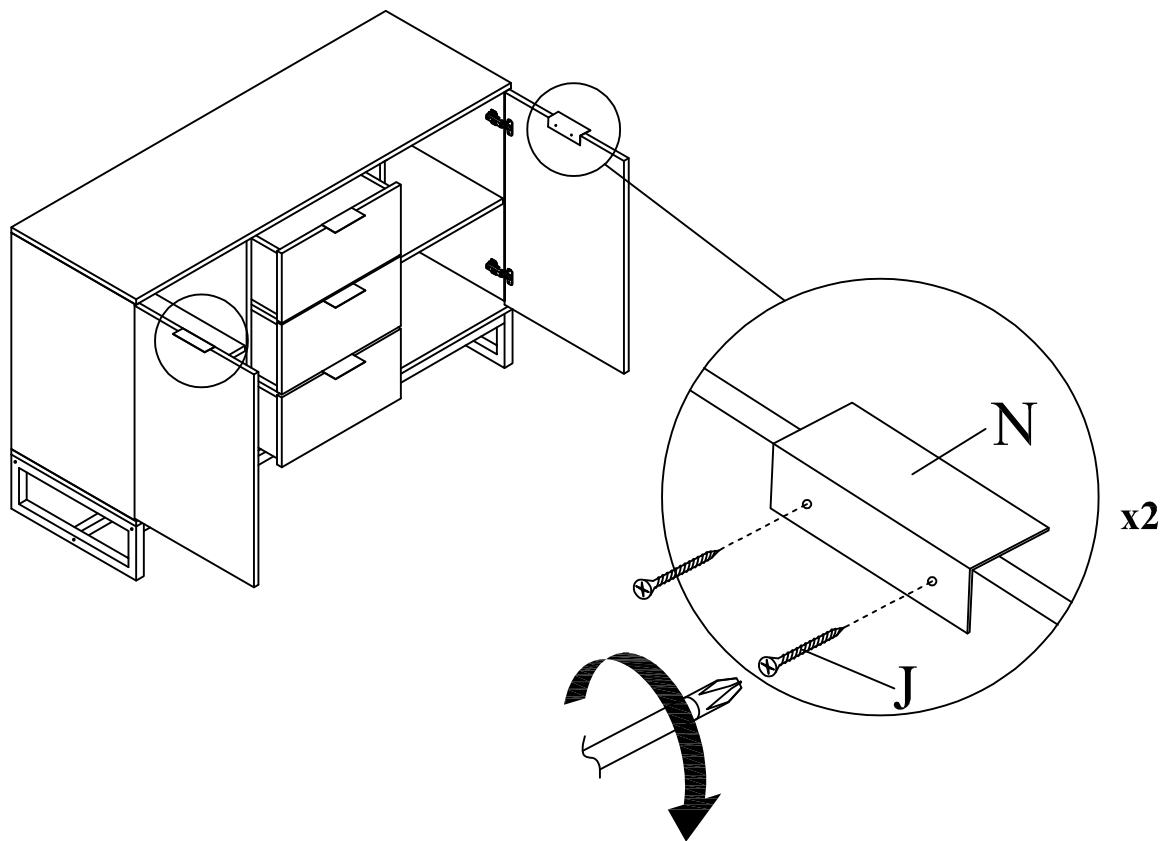
Back View

Step 21.4

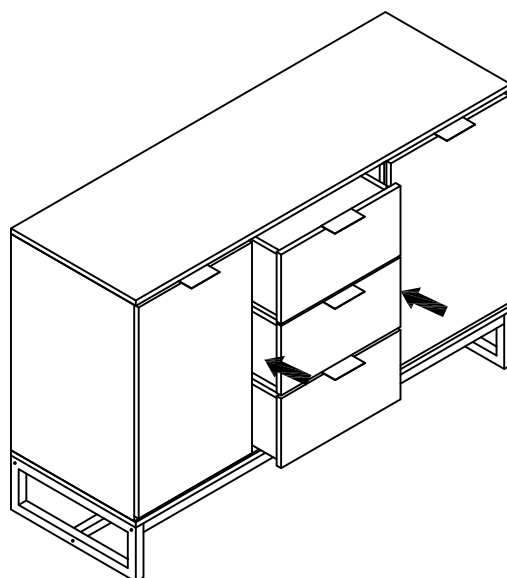


Back View

Step 22



Step 23



Anti -
Tipping

(A)



CSK Screw
M3.5x16mm
1PC

(B)



CSK Screw
M4x50mm
1PC

(C)

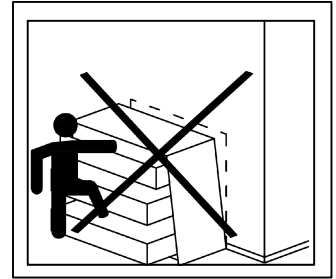
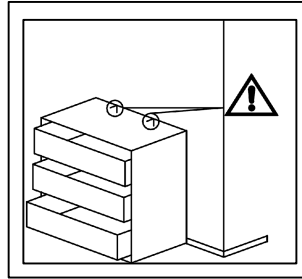


L BRACKET
2PCS

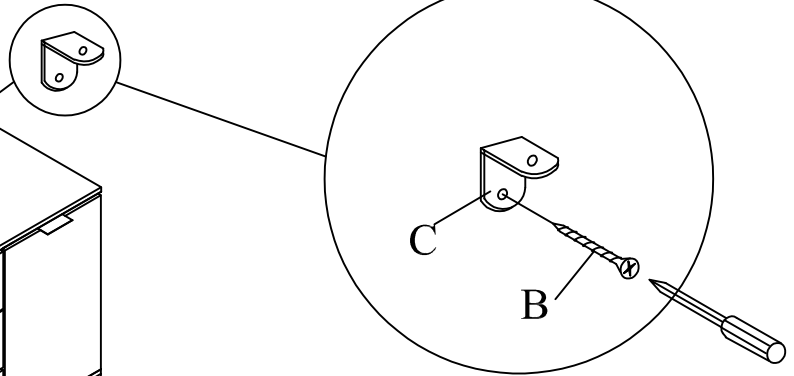
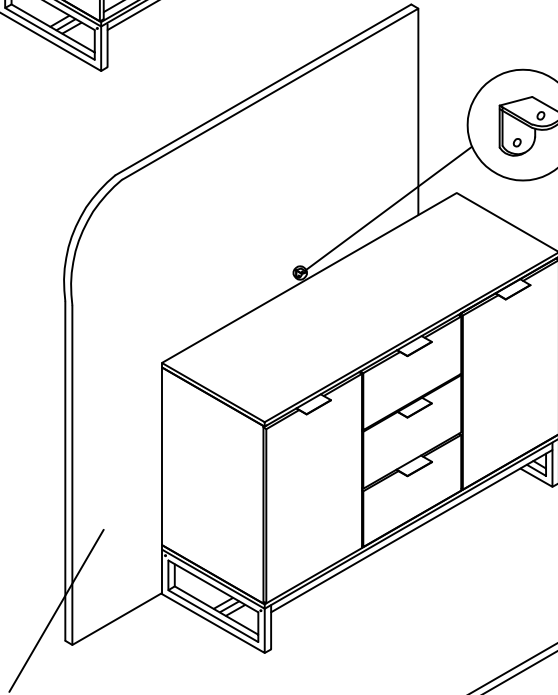
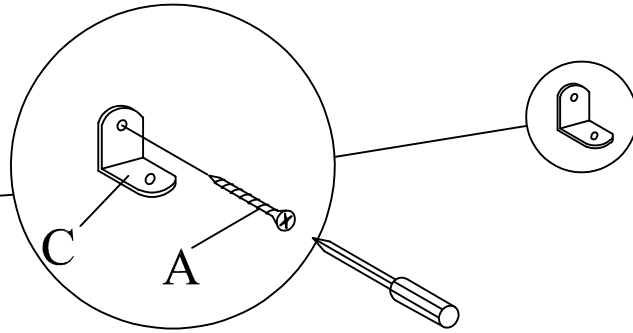
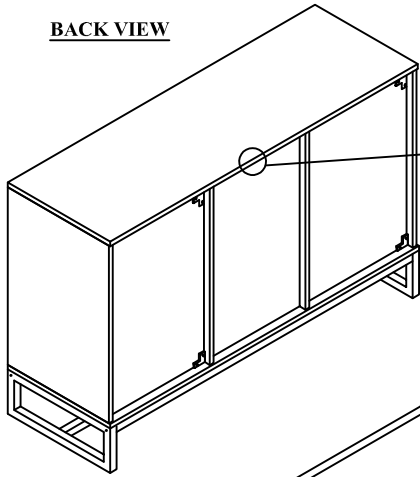
(D)



CABLE TIE
1PC



BACK VIEW



WALL

WALL

