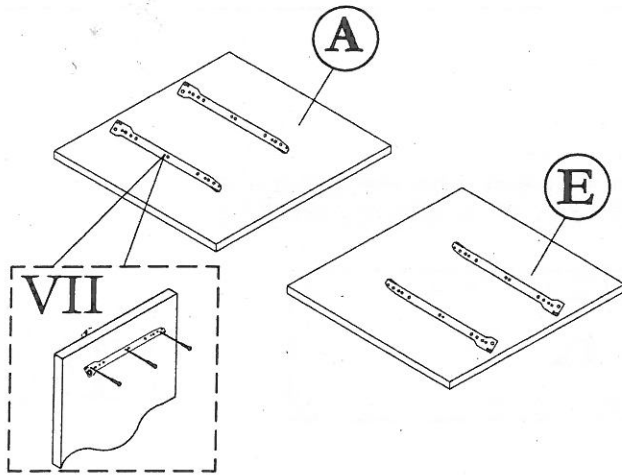


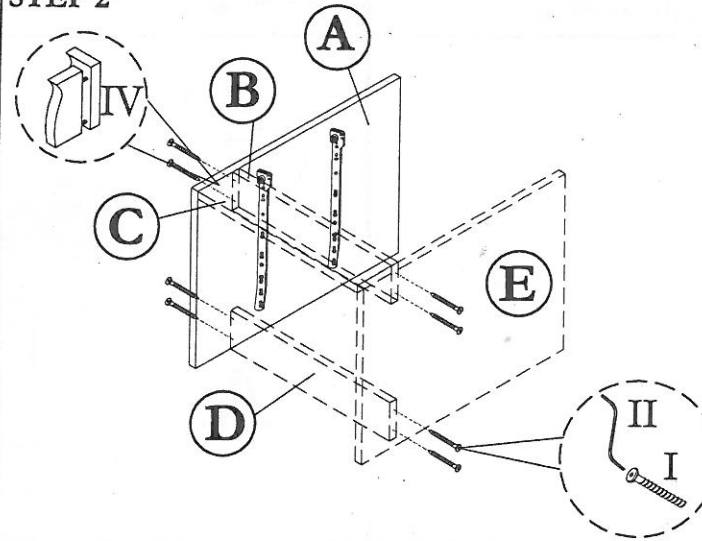
ASSEMBLY INSTRUCTION
MODEL : 5080 / SIDE TABLE

Before you begin, please follow assembly instruction carefully.
 Then follow them step by step.

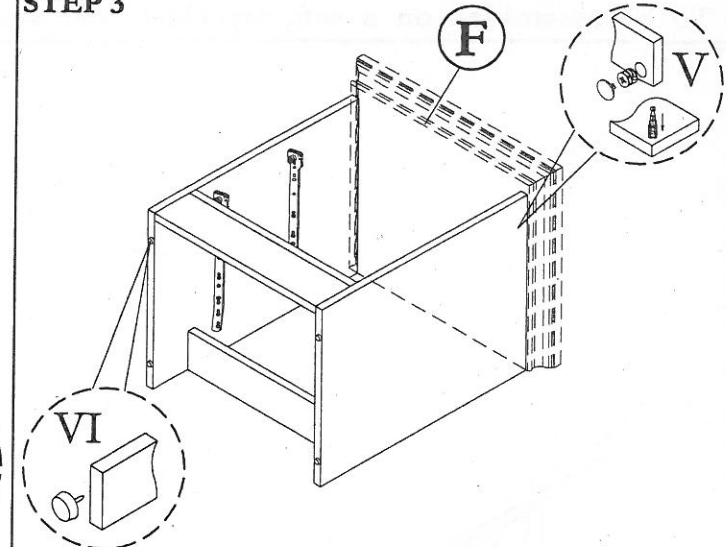
STEP 1



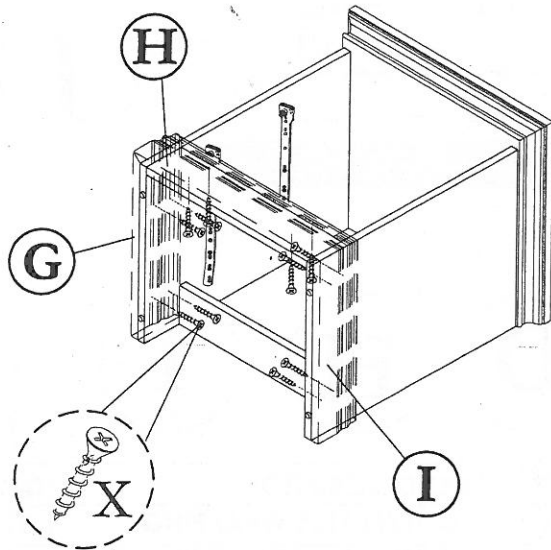
STEP 2



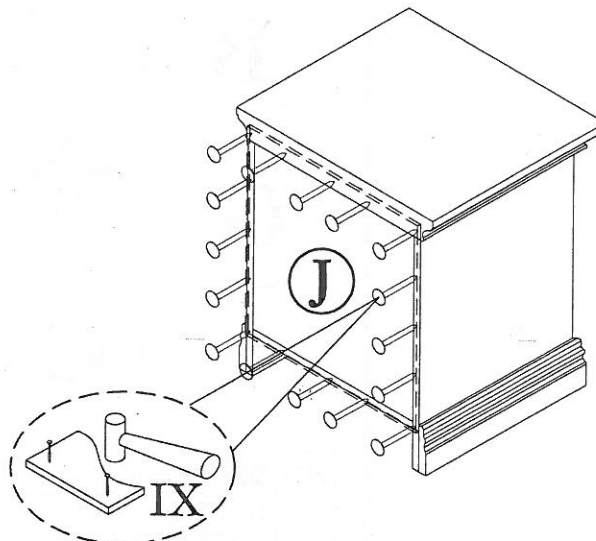
STEP 3



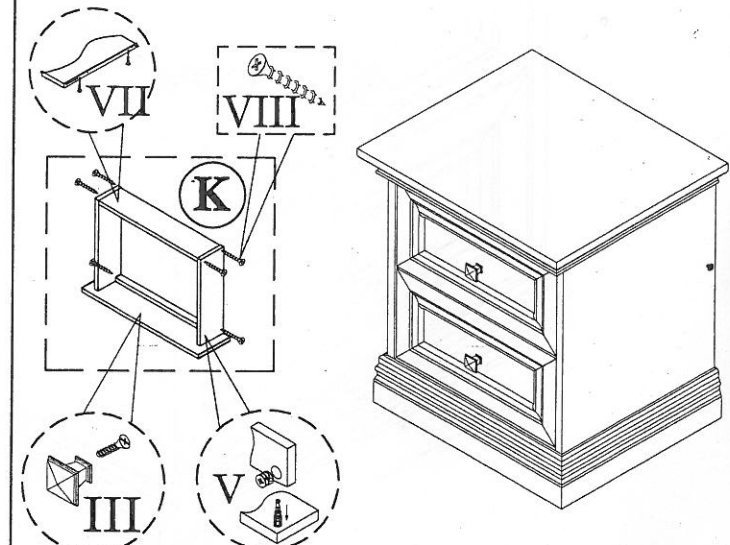
STEP 4



STEP 5



STEP 6



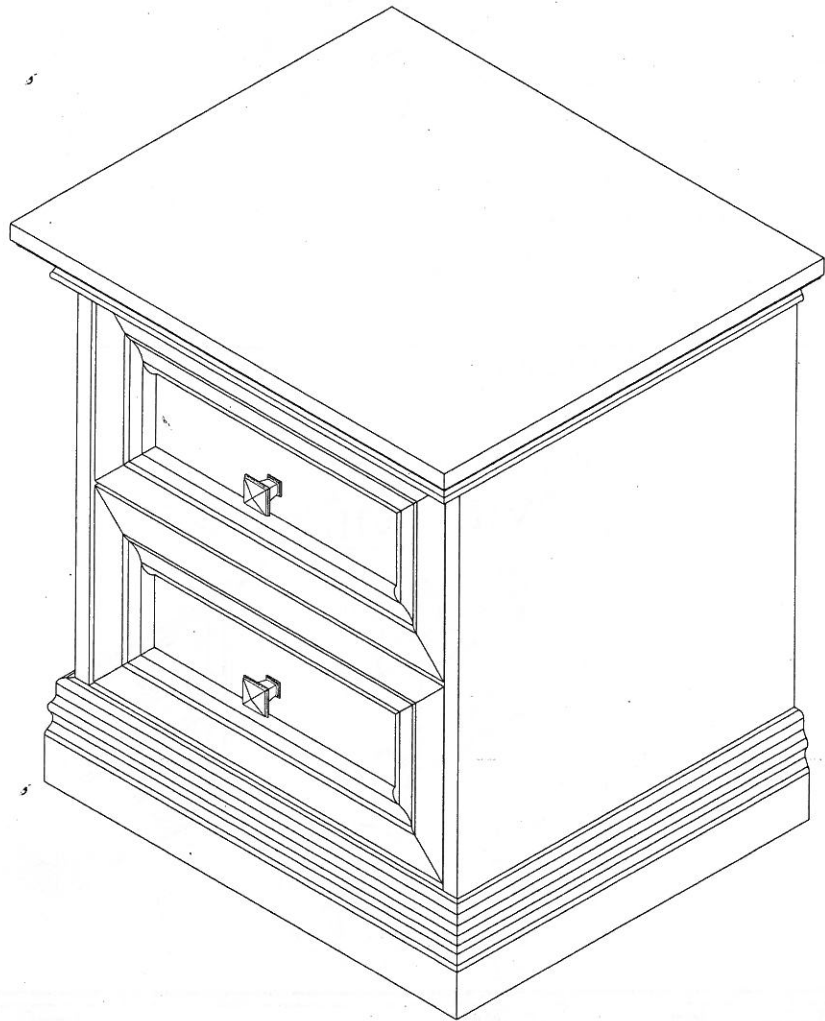
HARDWARE LIST			
NO	DESCRIPTION		QTY
I	JCBCW SCREW M6 x 45		8pcs
II	M4 ALLEN KEY		1pc
III	HANDLE & SCREW M4 x 12		2sets

IV	PLASTIC DOWEL		4pcs
V	Q-FIT		12sets
VI	PVC NAIL WITH PIN		4pcs
VII	12" DRAWER SLIDER & SCREW M3.5 x 12		2sets
VIII	M8 X 32 CHIPBOARD SCREW		12pcs

IX	NAIL		20pcs
X	M4 x 25 CHIPBOARD SCREW		12pcs

CAUTION:

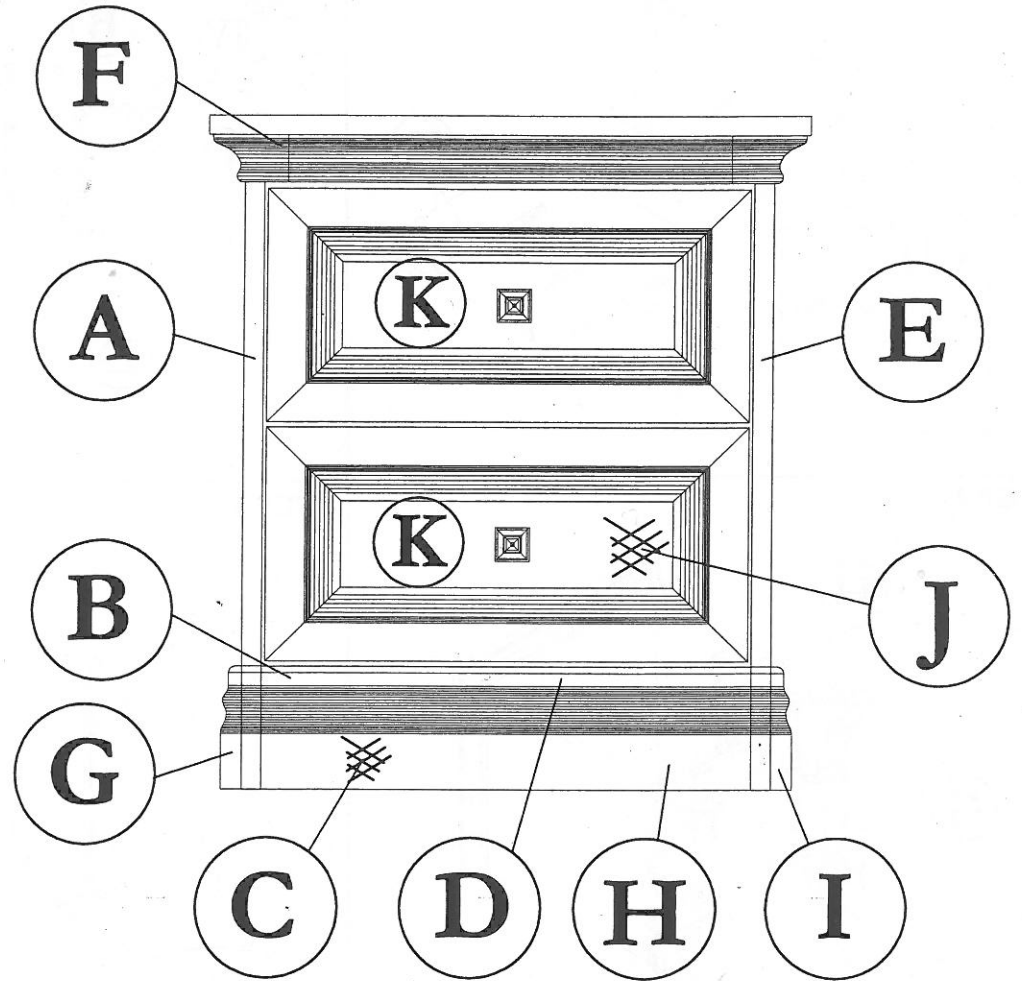
To clean use soft, dry cloth. Do not use detergent or chemicals
Avoid contact with water and direct sunlight.
To be assembled on a soft, dry, clean and smooth surface.



COMPLETE SET

ORDERING REPAIR PARTS

In order to obtain smooth and rapid service when ordering repair parts,
please give full attention to the following of PART NUMBER.



NO	DESCRIPTION	QTY
A	LEFT SIDE	01
B	LOWER SHELF (Front)	01
C	LEG	01
D	LOWER SHELF (Back)	01
E	RIGHT SIDE	01
F	TOP	01

NO	DESCRIPTION	QTY
G	LEFT SIDE WRAPPING	01
H	FRONT WRAPPING	01
I	RIGHT SIDE WRAPPING	01
J	BACK	01
K	DRAWER FACE	02