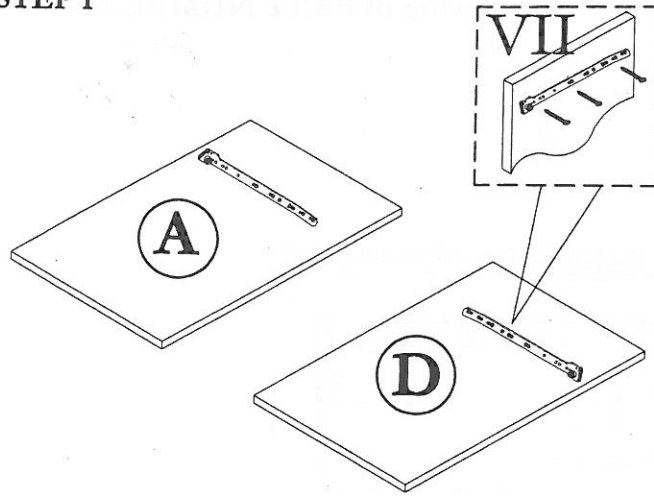


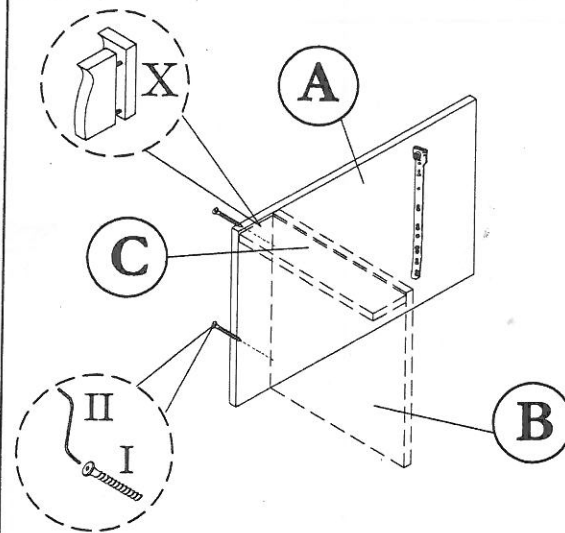
ASSEMBLY INSTRUCTION
MODEL : 5079 / SIDE TABLE

Before you begin, please follow assembly instruction carefully.
 Then follow them step by step.

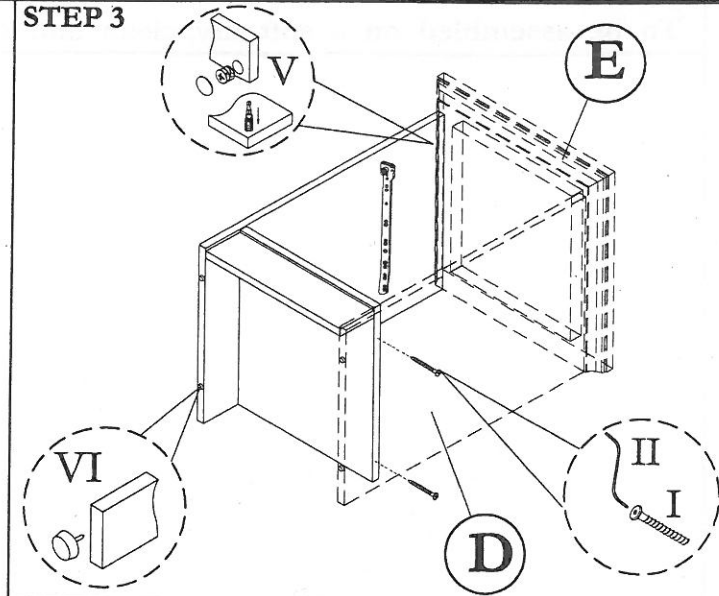
STEP 1



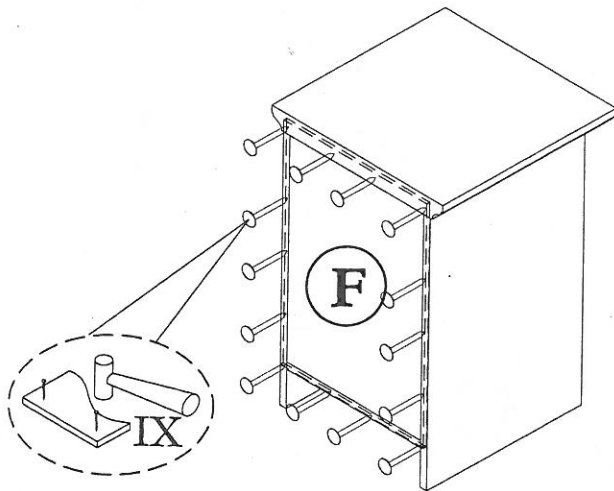
STEP 2



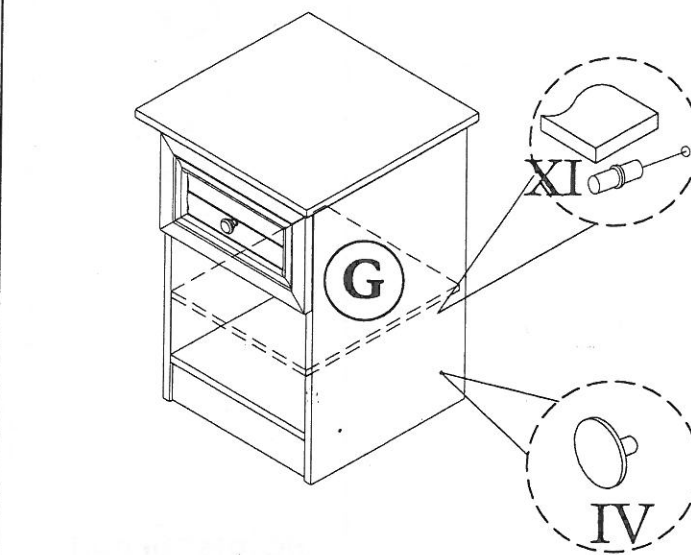
STEP 3



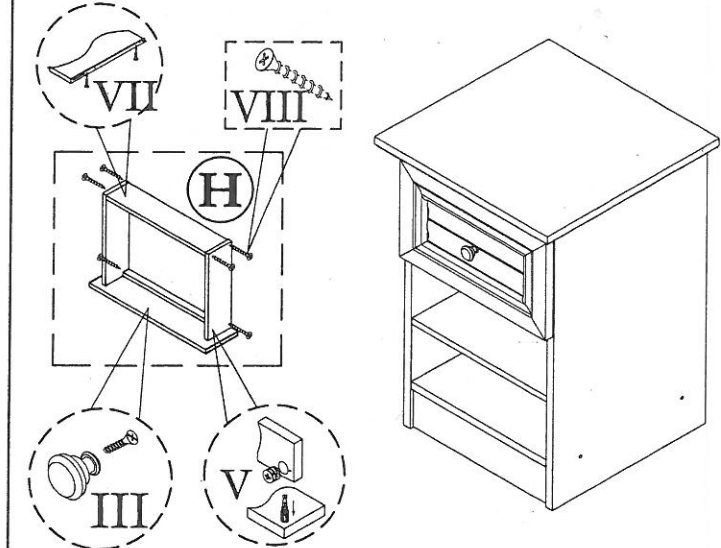
STEP 4



STEP 5



STEP 6



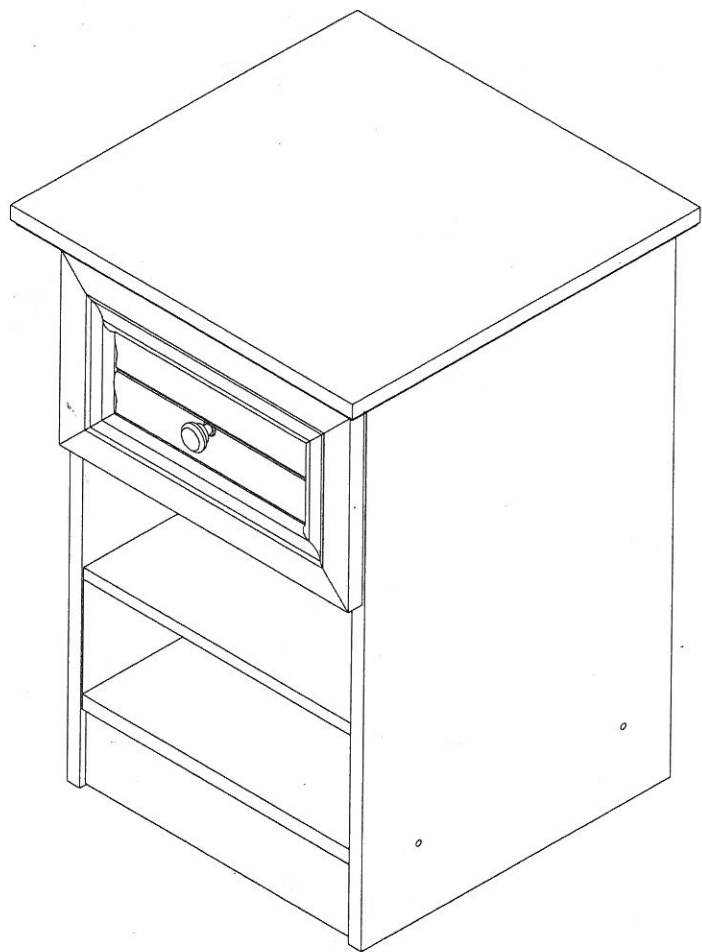
HARDWARE LIST			
NO	DESCRIPTION		QTY
I	JCBCW SCREW M6 x 45		4pcs
II	M4 ALLEN KEY		1pc
III	HANDLE & SCREW M4 x 12		1sets

IV	CAP SMALL		4pcs
V	Q-FIT		8sets
VI	PVC NAIL WITH PIN		4pcs
VII	12" DRAWER SLIDER & SCREW M3.5 x 12		1sets
VIII	M8 X 32 CHIPBOARD SCREW		6pcs

IX	NAIL		20pcs
X	PLASTIC DOWEL		4pcs
XI	SHELF SUPPORT		4pcs

CAUTION:

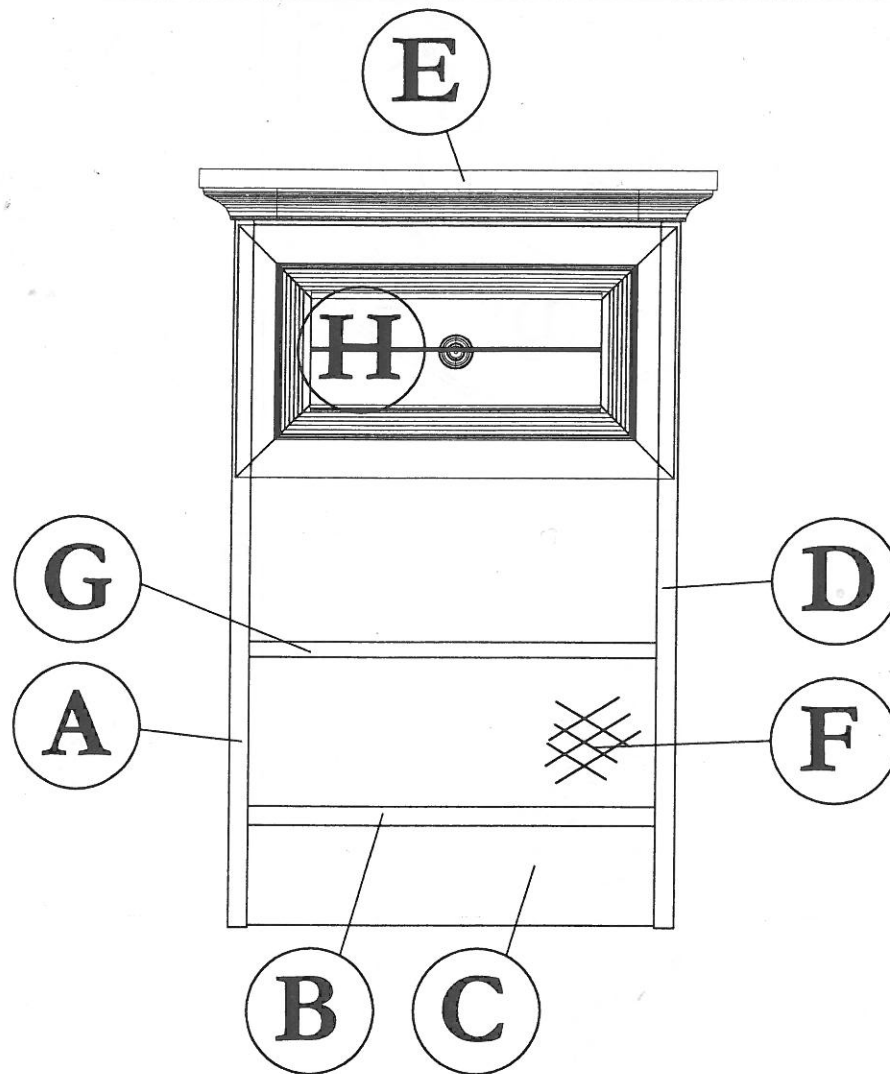
To clean use soft, dry cloth. Do not use detergent or chemicals
Avoid contact with water and direct sunlight.
To be assembled on a soft, dry, clean and smooth surface.



COMPLETE SET

ORDERING REPAIR PARTS

In order to obtain smooth and rapid service when ordering repair parts,
please give full attention to the following of PART NUMBER.



NO	DESCRIPTION	QTY
A	LEFT SIDE	01
B	LOWER SHELF	01
C	LEG	01
D	RIGHT SIDE	01

NO	DESCRIPTION	QTY
E	TOP	01
F	BACK	01
G	MOVABLE SHELF	01
H	DRAWER FACE	01