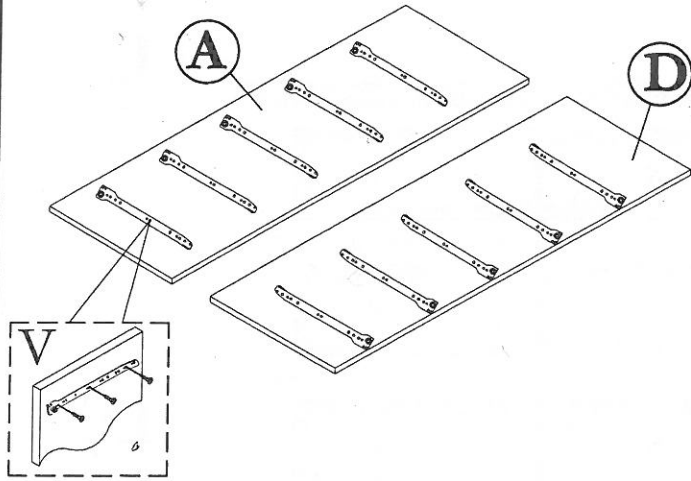


ASSEMBLY INSTRUCTION

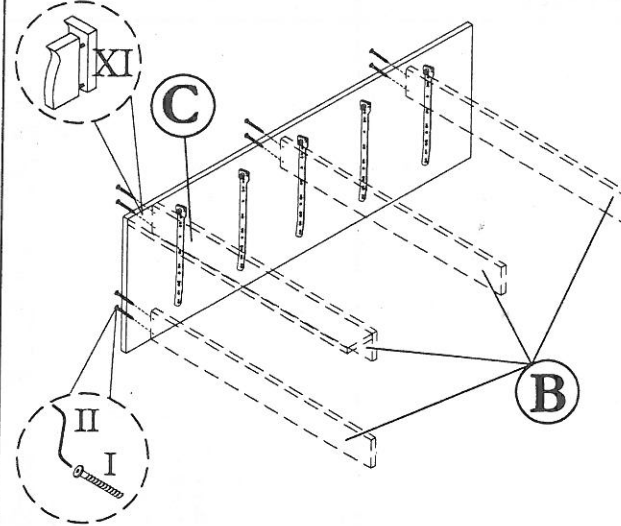
MODEL : 4115 / CHEST OF DRAWER

Before you begin, please follow assembly instruction carefully.
Then follow them step by step.

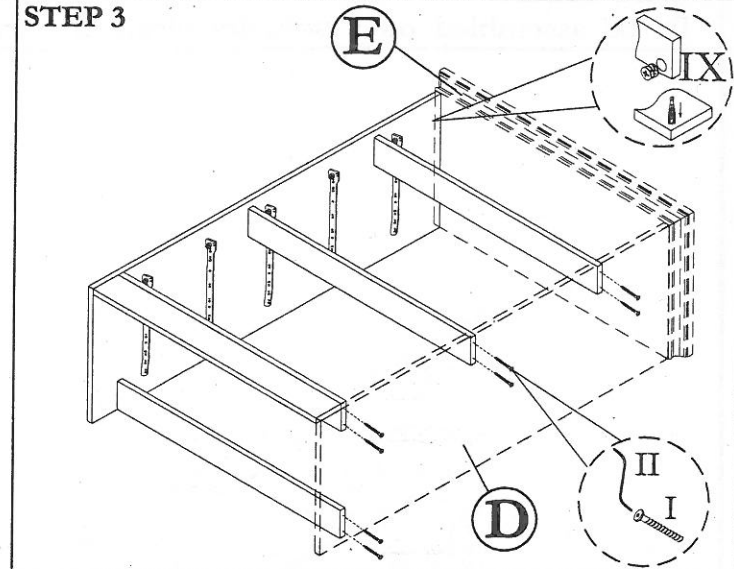
STEP 1



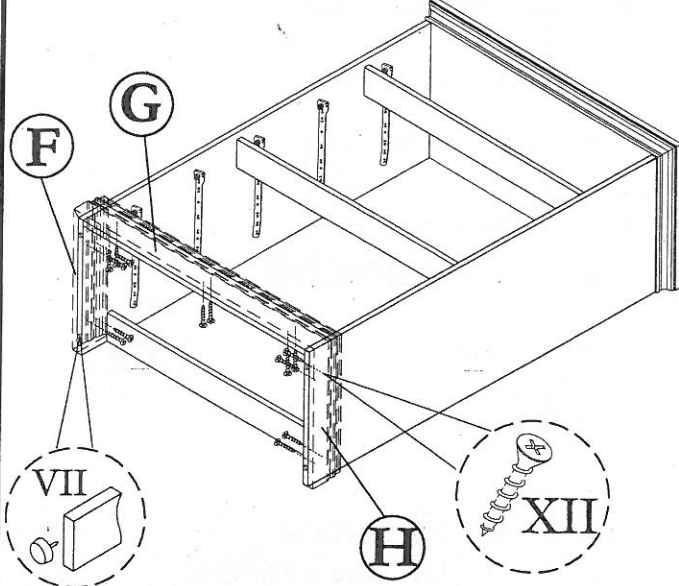
STEP 2



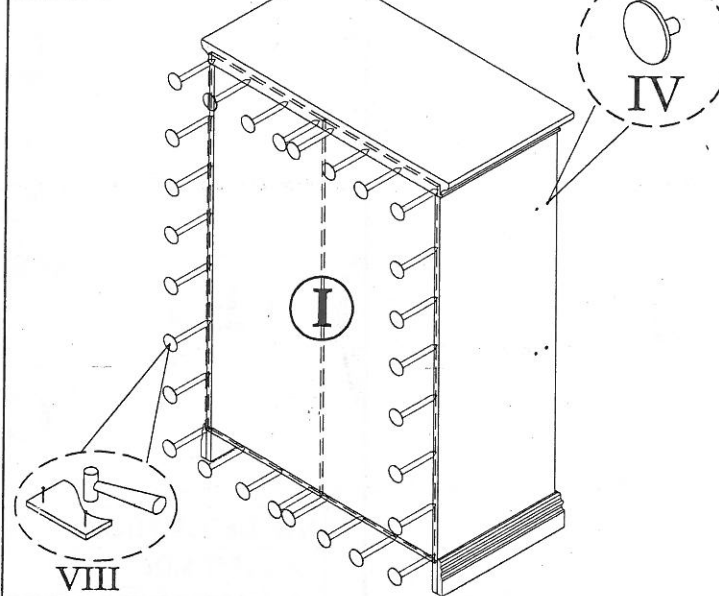
STEP 3



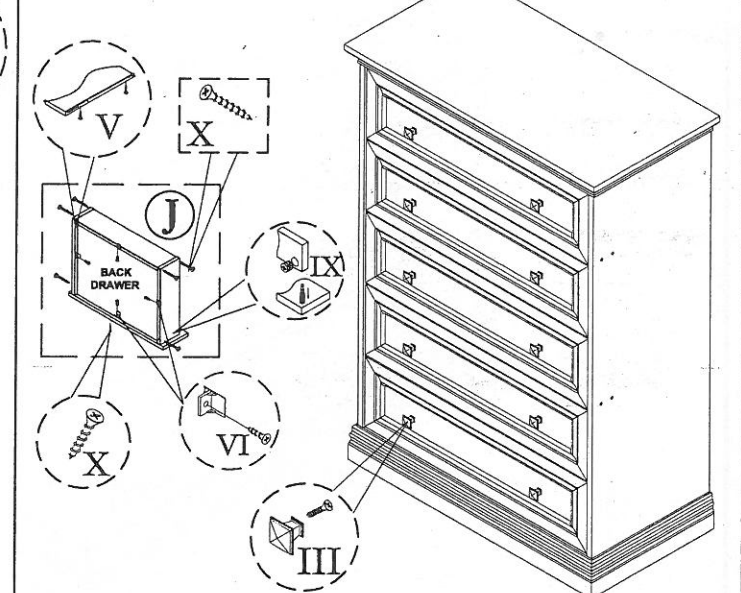
STEP 4



STEP 5



STEP 6



HARDWARE LIST

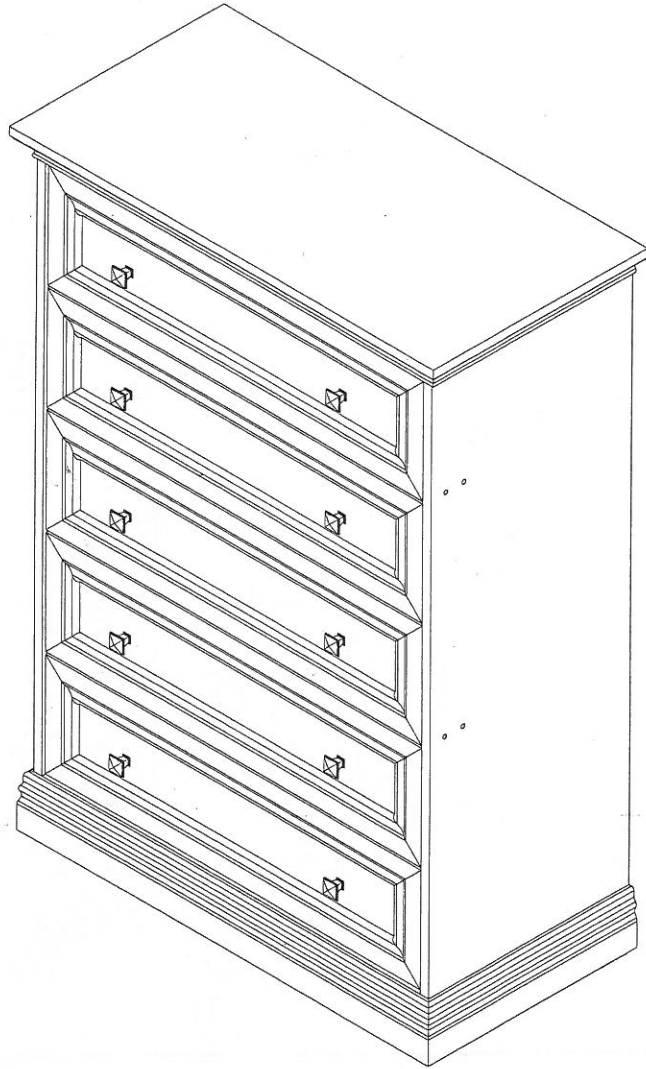
NO	DESCRIPTION	QTY
I	JCBCW SCREW M6 x 45	16pcs
II	M4 ALLEN KEY	1pc
III	HANDLE & SCREW M4 x 12	10sets

IV	CAP SMALL	8pcs
V	12" DRAWER SLIDER & SCREW M3.5 x 12	5sets
VI	DRAWER SUPPORT & SCREW M3.5 x 12	20sets
VII	PVC NAIL WITH PIN	4pcs
VIII	NAIL	50pcs

IX	Q-FIT	24sets
X	M8 X 32 CHIPBOARD SCREW	30pcs
XI	PLASTIC DOWEL	4pcs
XII	M4 x 25 CHIPBOARD SCREW	19pcs

CAUTION:

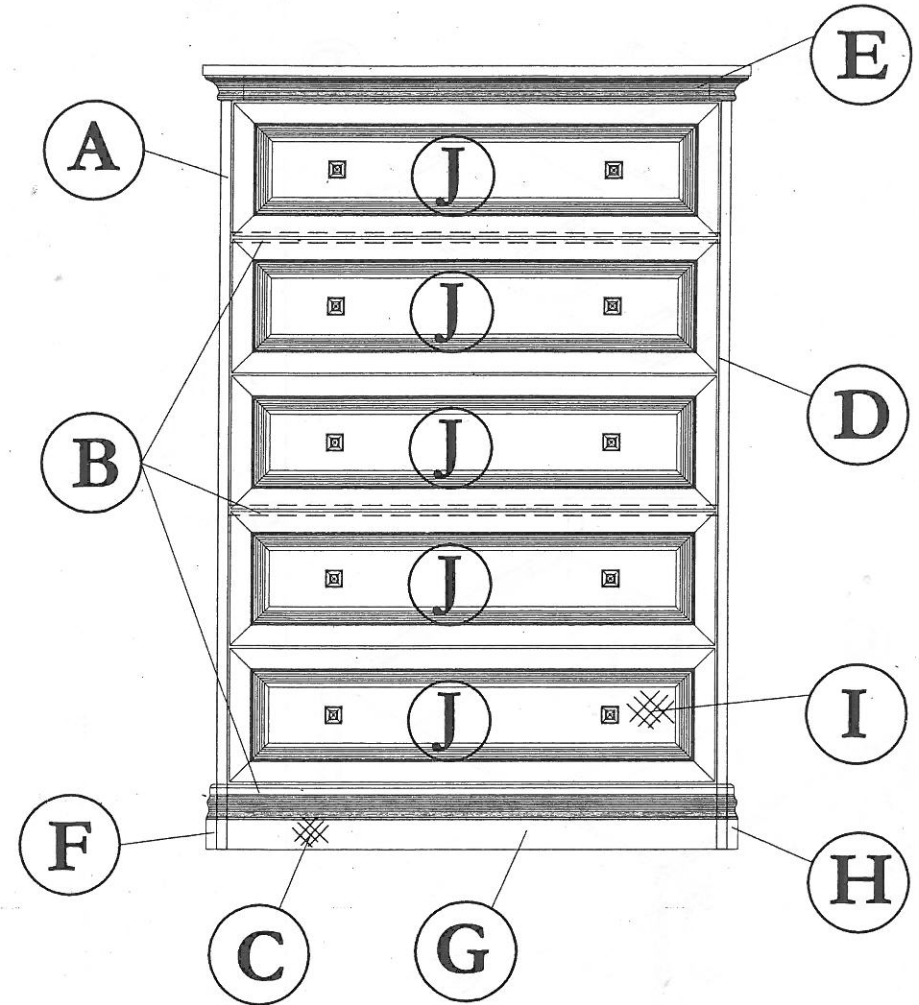
To clean use soft, dry cloth. Do not use detergent or chemicals
Avoid contact with water and direct sunlight.
To be assembled on a soft, dry, clean and smooth surface.



COMPLETE SET

ORDERING REPAIR PARTS

In order to obtain smooth and rapid service when ordering repair parts,
please give full attention to the following of PART NUMBER.



NO	DESCRIPTION	QTY
A	LEFT SIDE	01
B	HORIZONTAL SHELF	04
C	LEG	01
D	RIGHT SIDE	01
E	TOP	01

NO	DESCRIPTION	QTY
F	LEFT SIDE WRAPPING	01
G	FRONT WRAPPING	01
H	RIGHT SIDE WRAPPING	01
I	BACK	02
J	DRAWER FACE	05