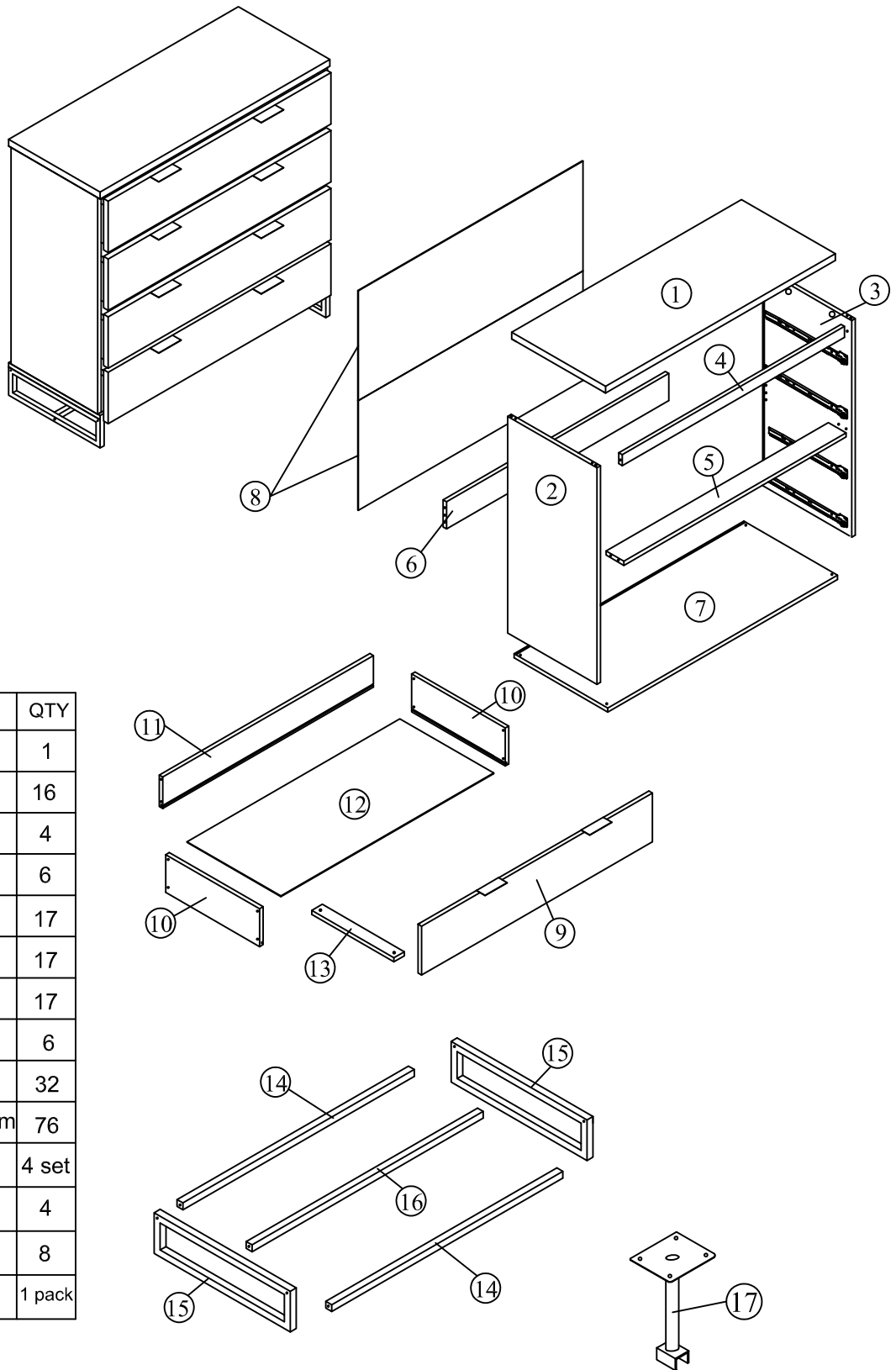


Assembly Instructions

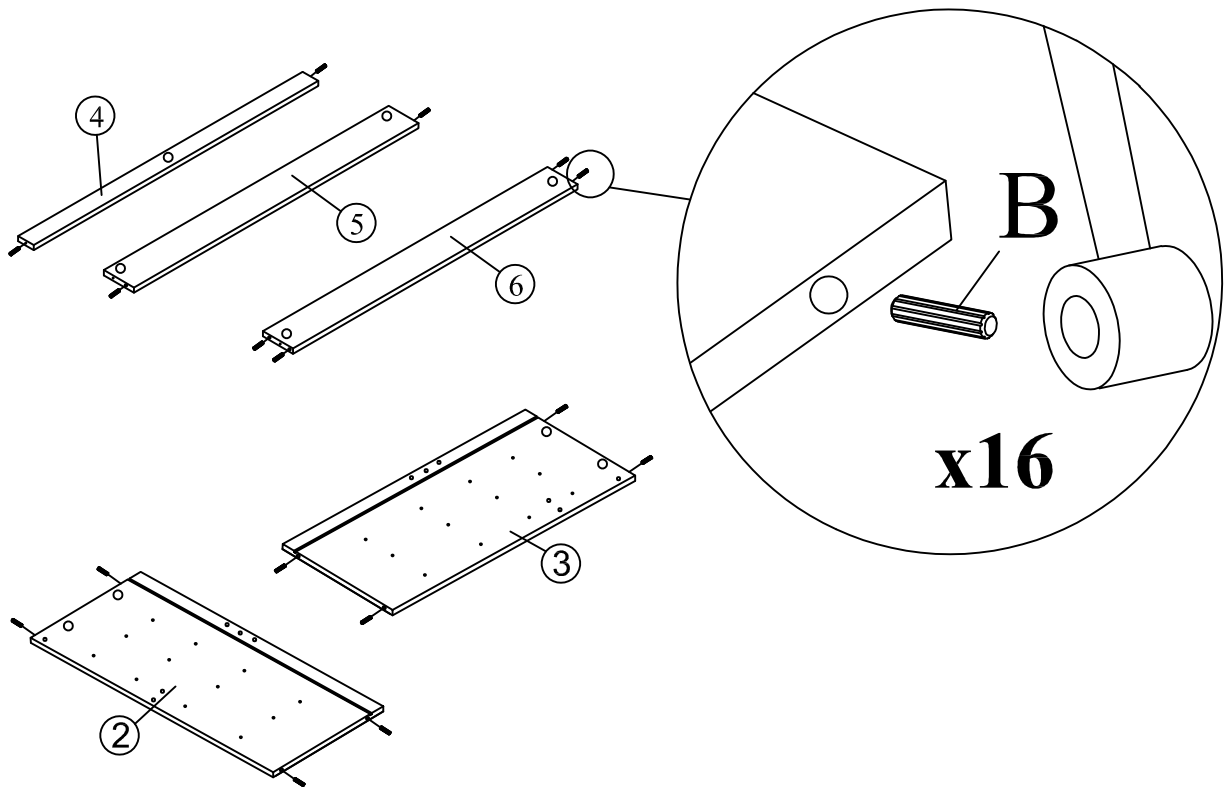
Model : CH 8000

Part List		QTY
1	Top Panel	1
2	Left Side Panel	1
3	Right Side Panel	1
4	Top Support Panel	1
5	Middle Panel Front Support	1
6	Center Panel	1
7	Bottom Panel	1
8	Back Panel	1
9	Drawer Front Panel	4
10	Drawer Side Panel	8
11	Drawer Back Panel	4
12	Drawer Bottom Panel	4
13	Drawer Bottom Support Panel	4
14	Metal Support Legs	2
15	Metal Frame Legs	2
16	Metal Center Legs	1
17	Support Legs	1

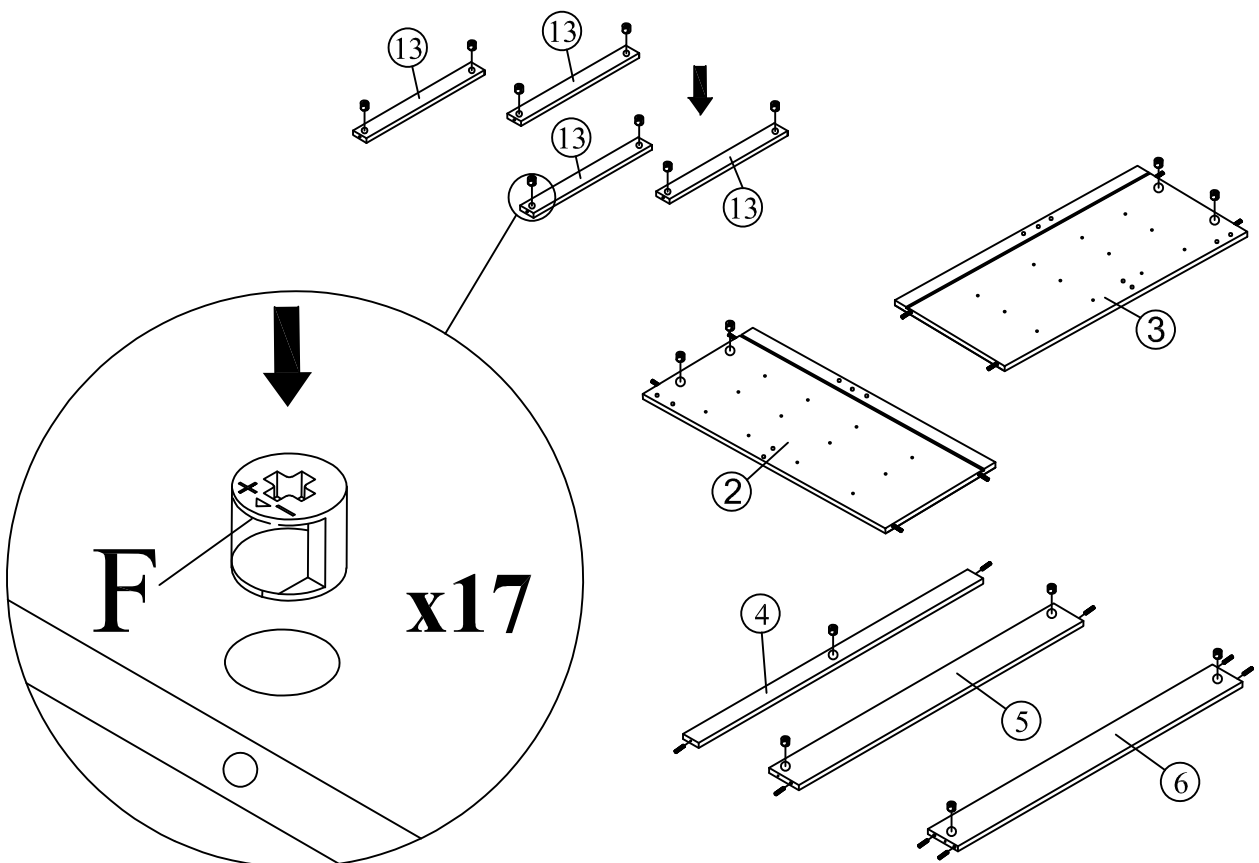


Hardware List		QTY
A	Allen Key M4	1
B	Plastic Dowel M8x25	16
C	JCBC W Screw M6x40	4
D	JCBC Screw M6x50 Spring+Flat Washer	6
E	Mini Fix Bolt	17
F	Mini Fix Housing	17
G	Mini Fix Cap	17
H	CSK Screw M4x32mm	6
I	CSK Screw M4x50mm	32
J	CSK Screw M3.5x16mm	76
K	14" Drawer Slide	4 set
L	L Bracket	4
M	Handle	8
N	Anti - Tipping	1 pack

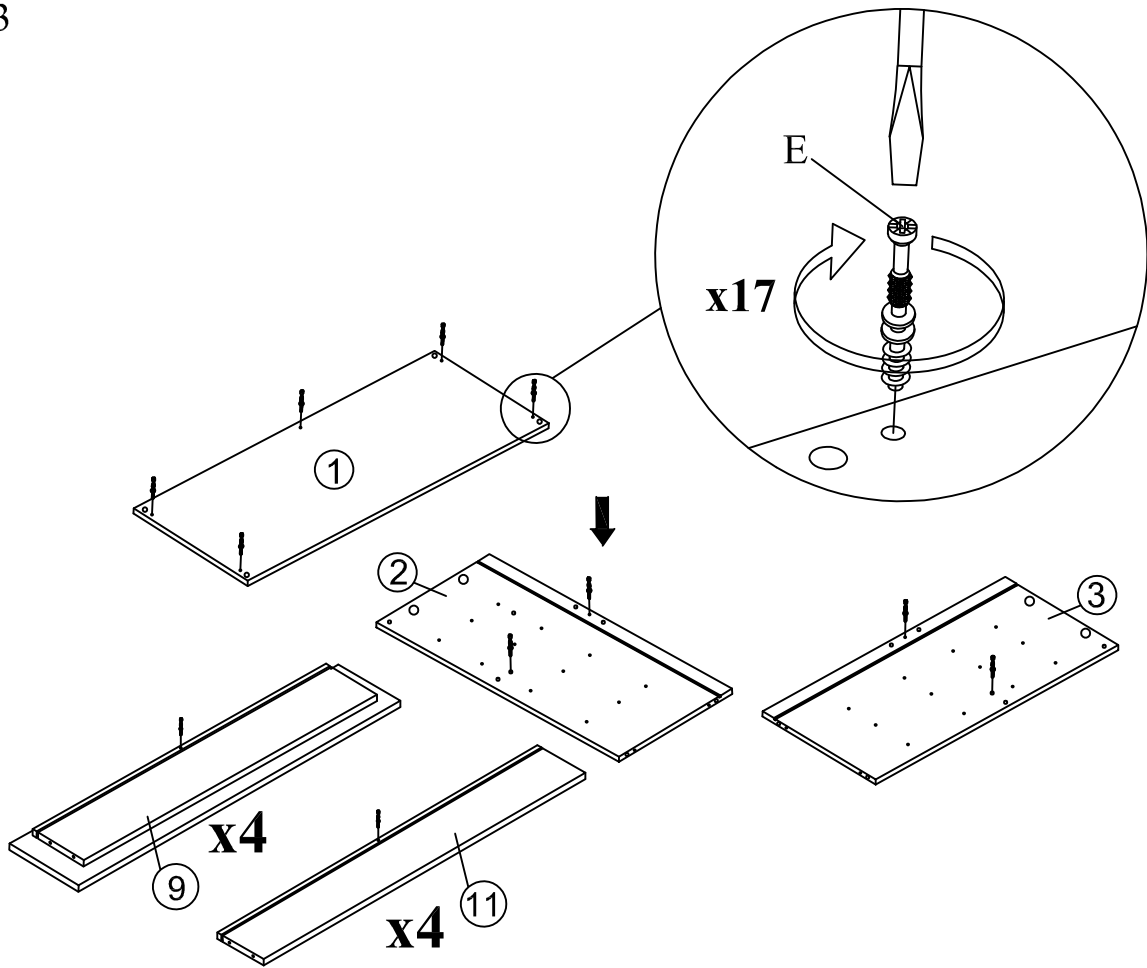
Step 1



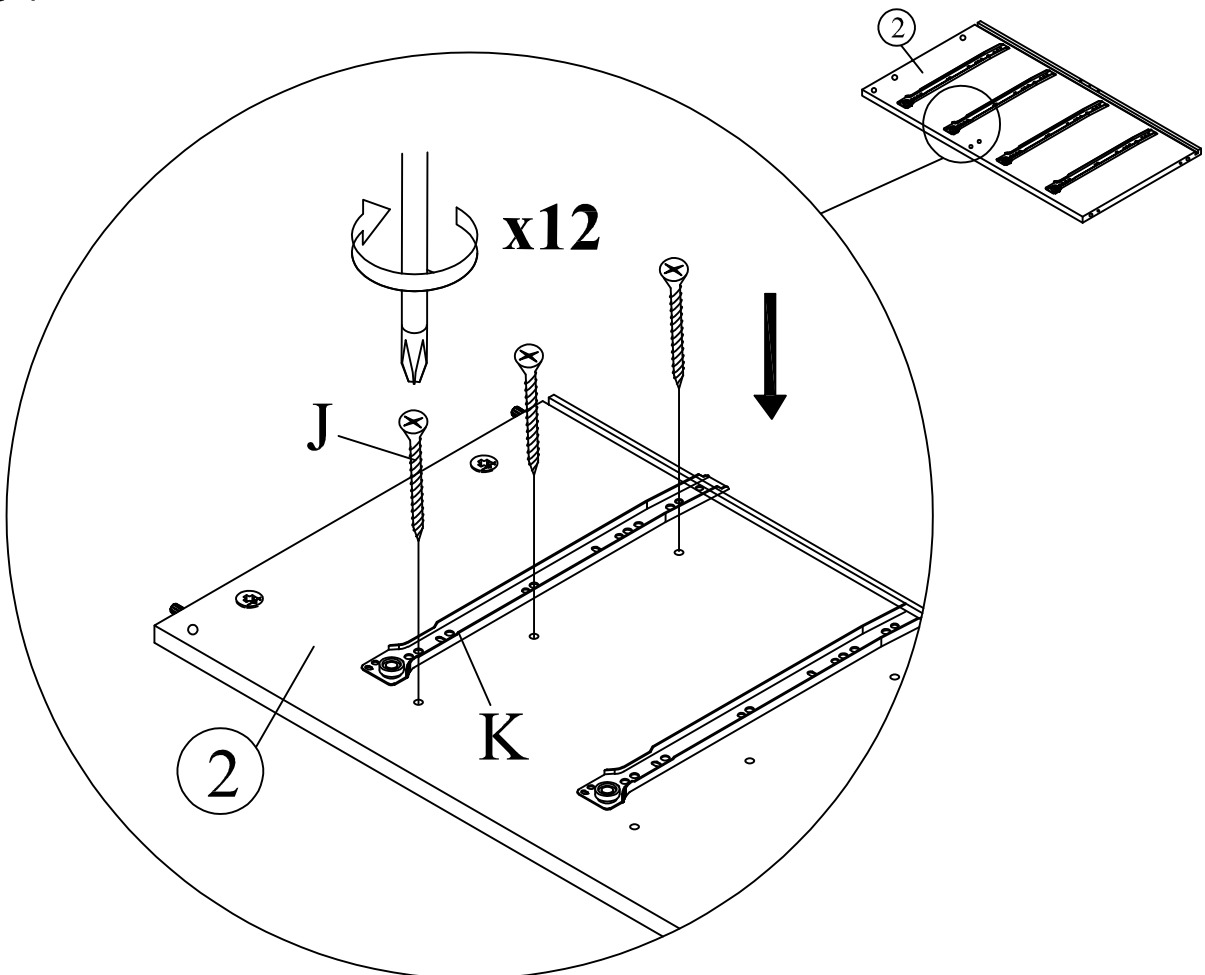
Step 2



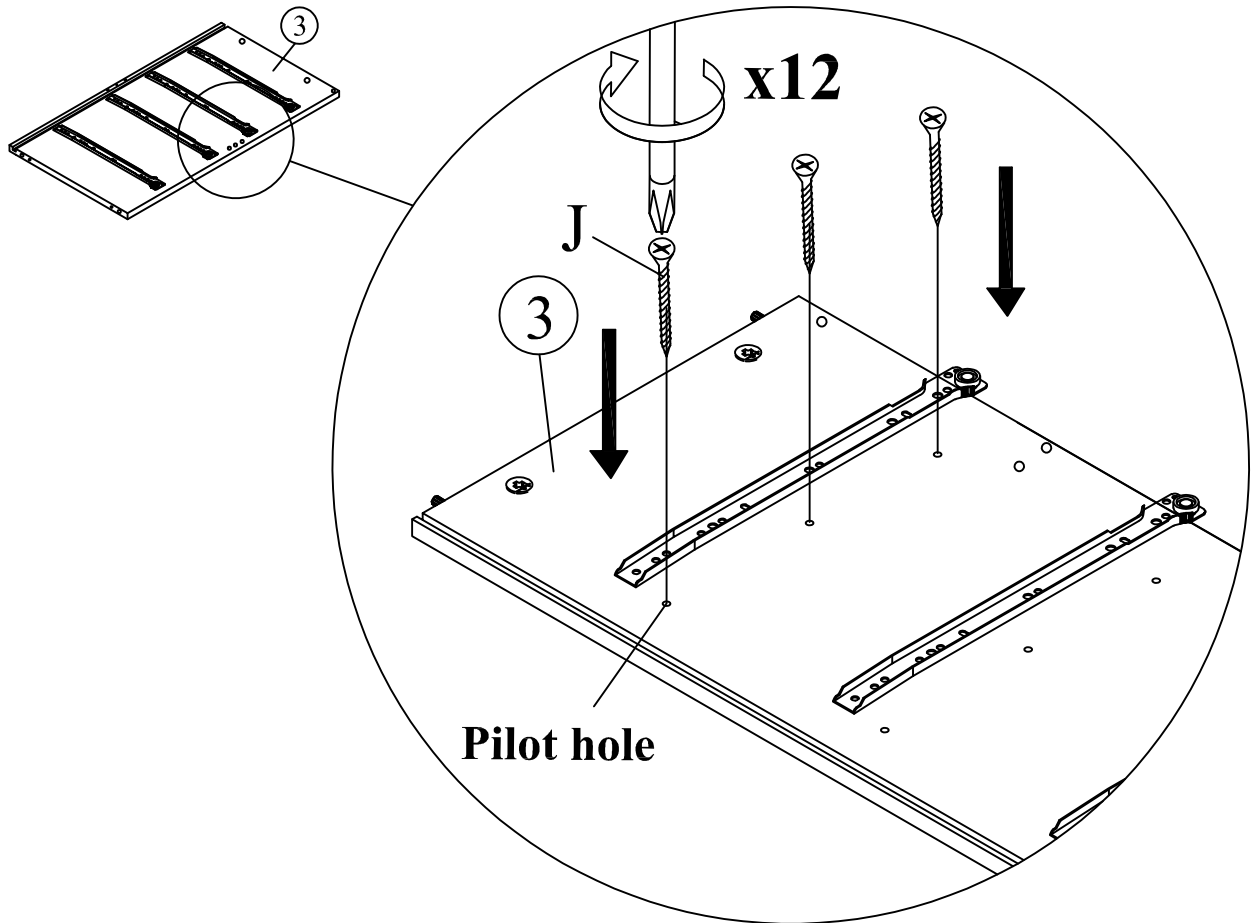
Step 3



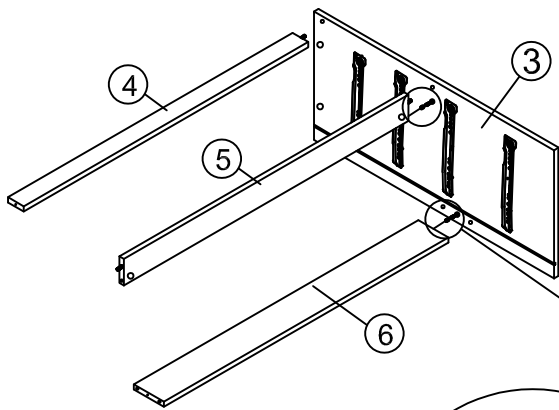
Step 4



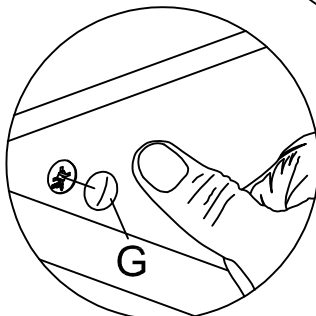
Step 5



Step 6

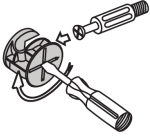


**Without edging/veneer facing downward*

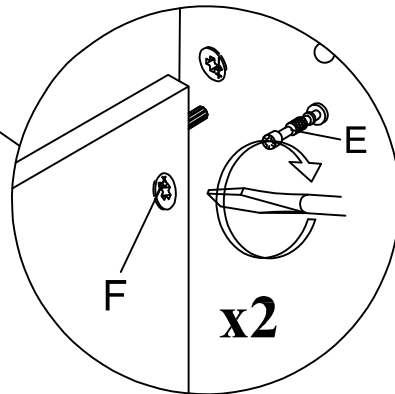


**Attach Minifix Cap as shown.*

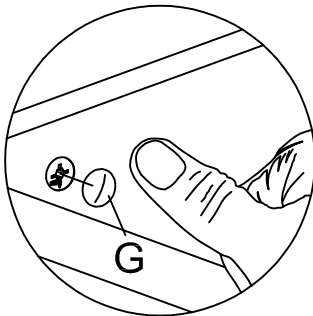
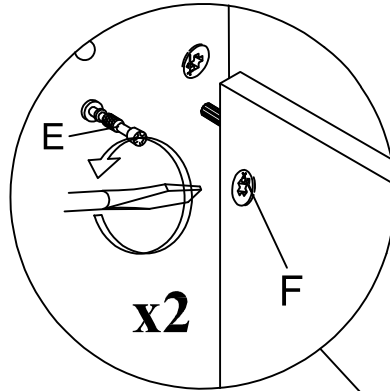
This is how a mini fix works...



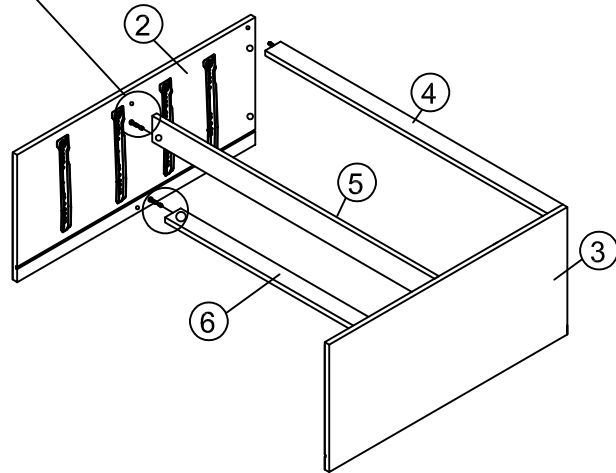
The head of the mini fix housing goes into the open mouth of the mini fix bolt. You then turn the mini fix housing so it tightens over the mini fix bolt.



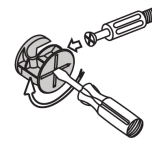
Step 7



**Attach Minifix Cap as shown.*

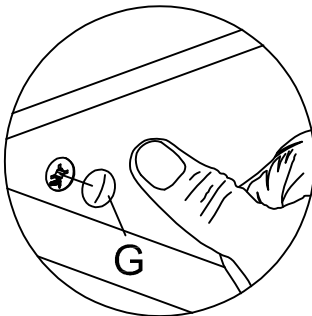
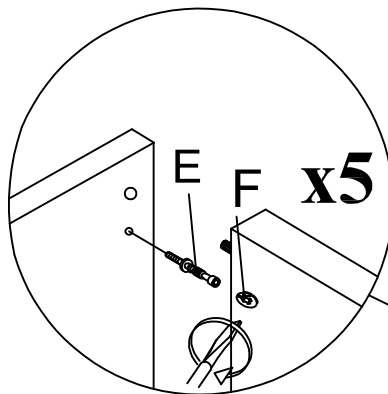


This is how a mini fix works...

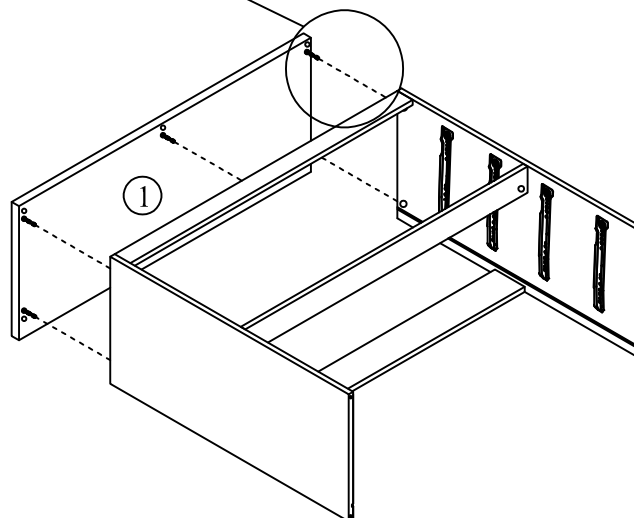


The head of the mini fix housing goes into the open mouth of the mini fix bolt. You then turn the mini fix housing so it tightens over the mini fix bolt.

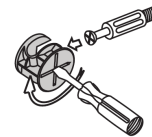
Step 8



**Attach Minifix Cap as shown.*

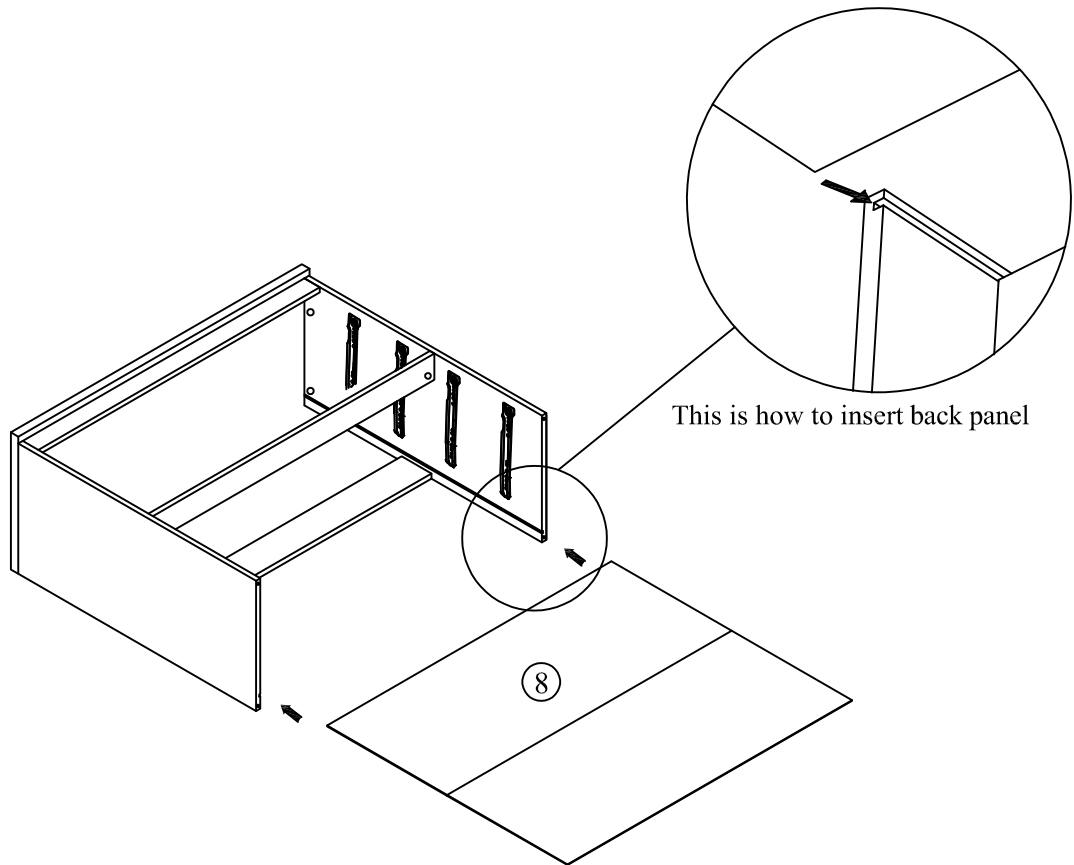


This is how a mini fix works...

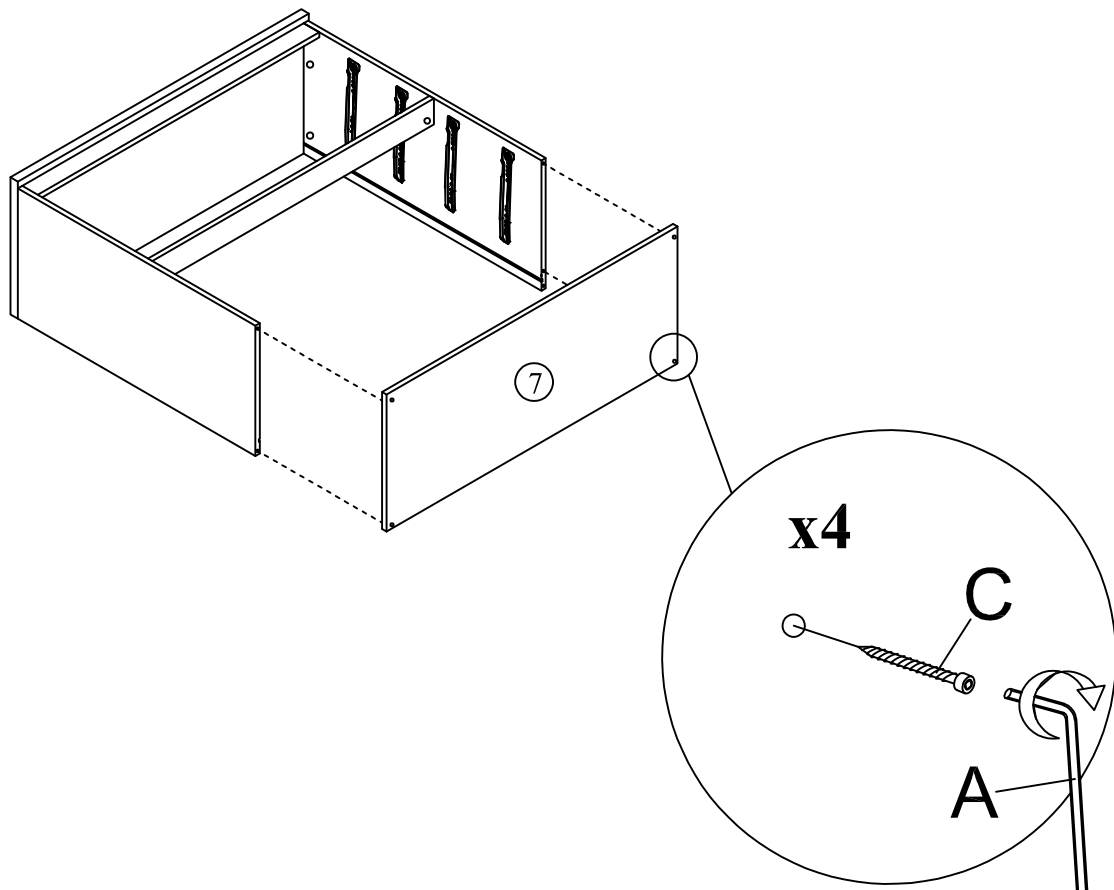


The head of the mini fix housing goes into the open mouth of the mini fix bolt. You then turn the mini fix housing so it tightens over the mini fix bolt.

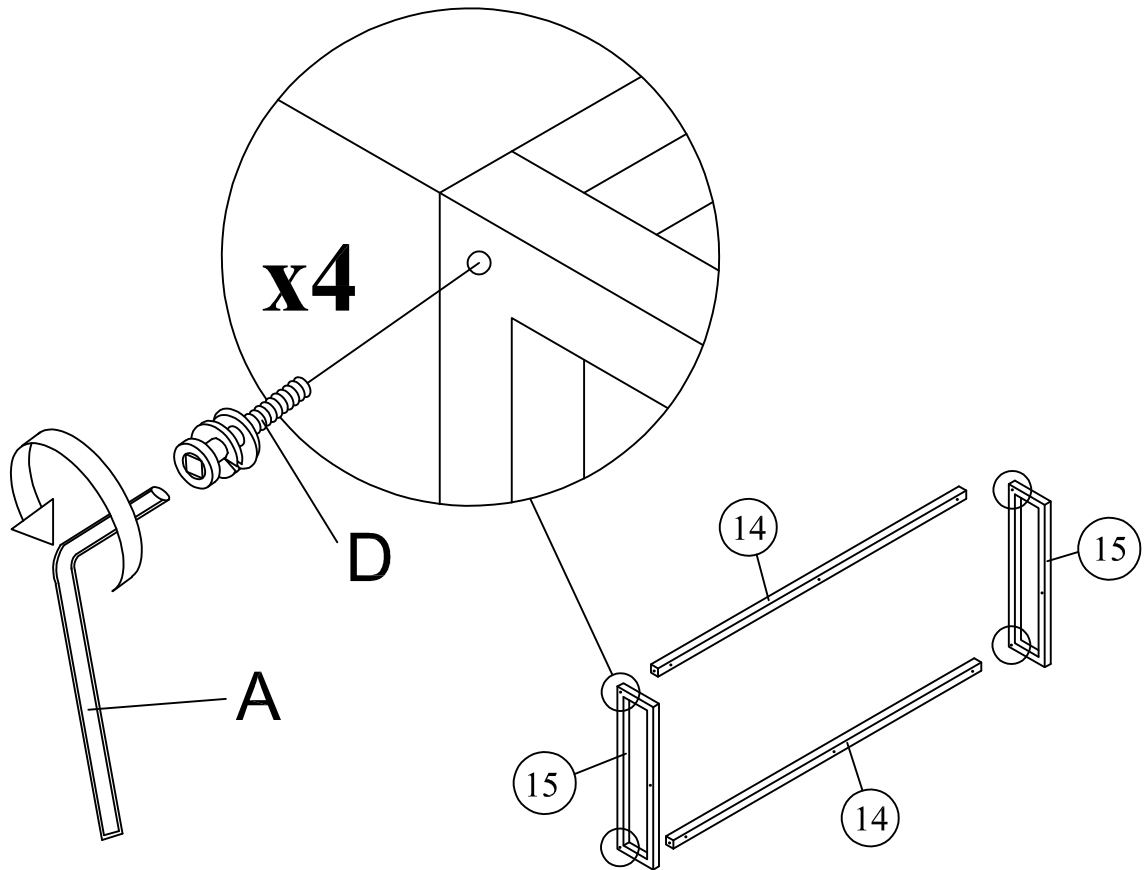
Step 9



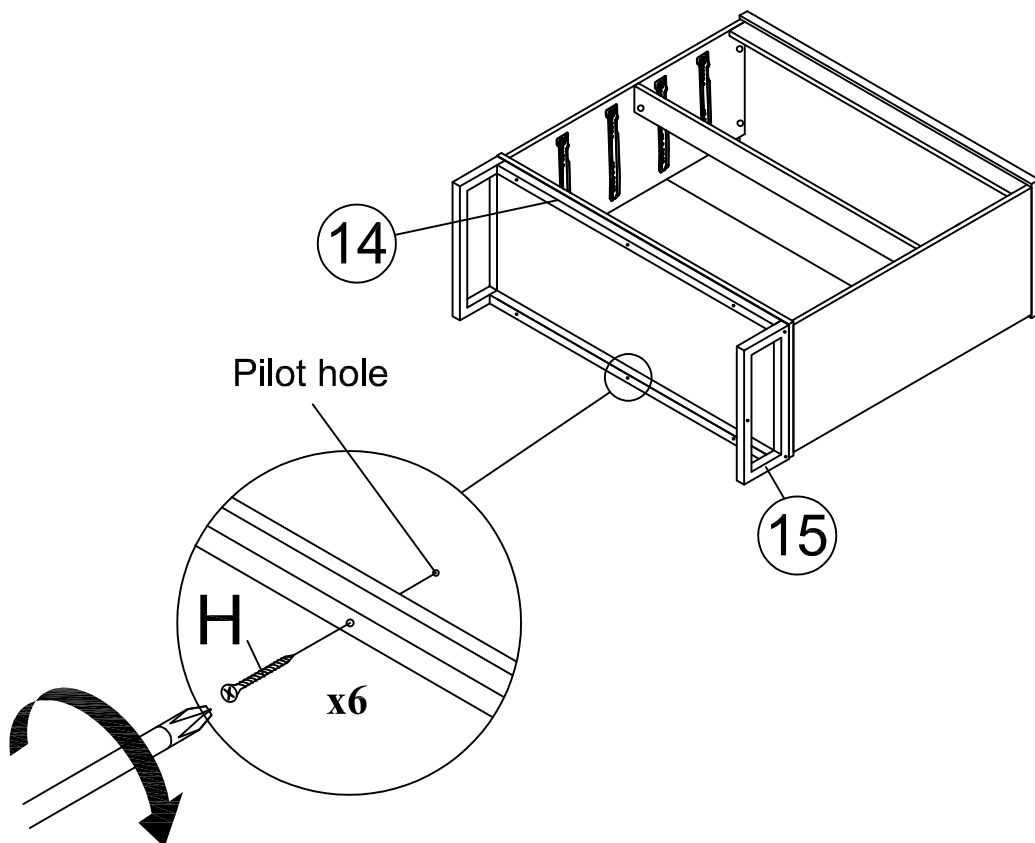
Step 10



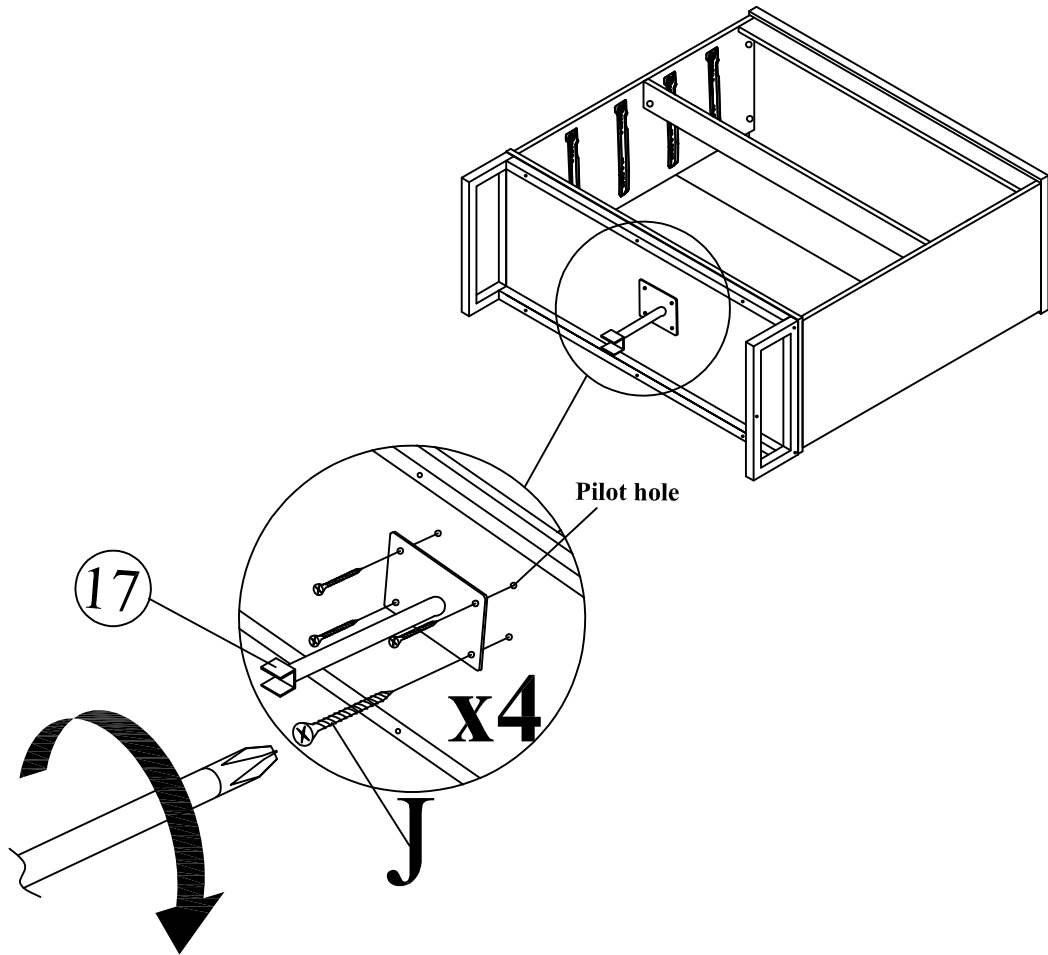
Step 11



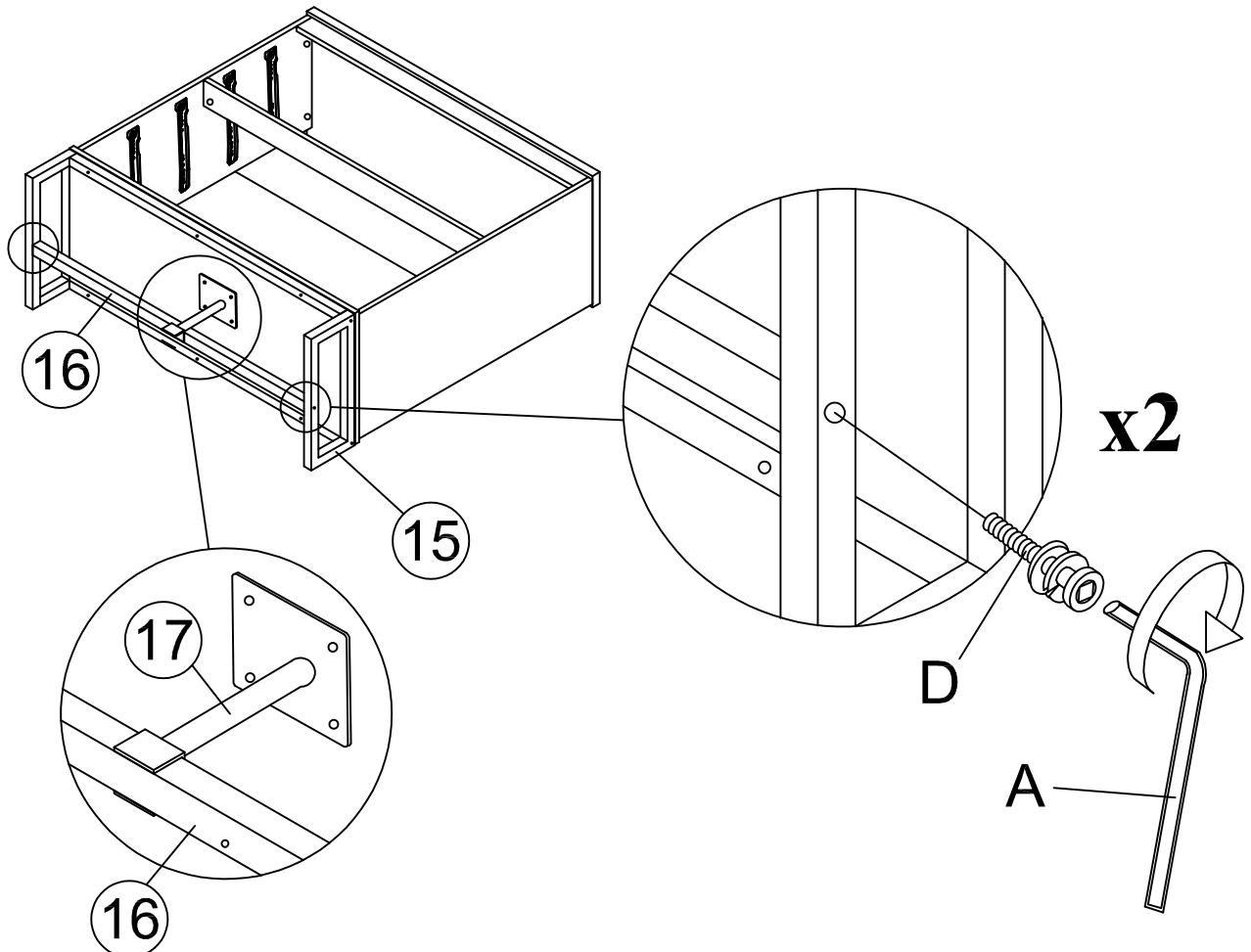
Step 12



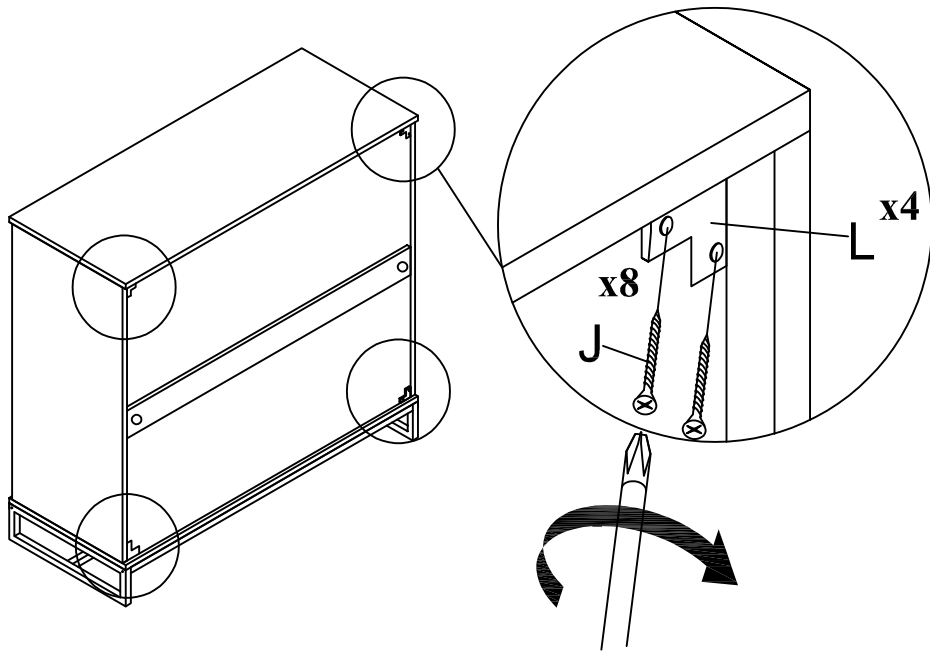
Step 13



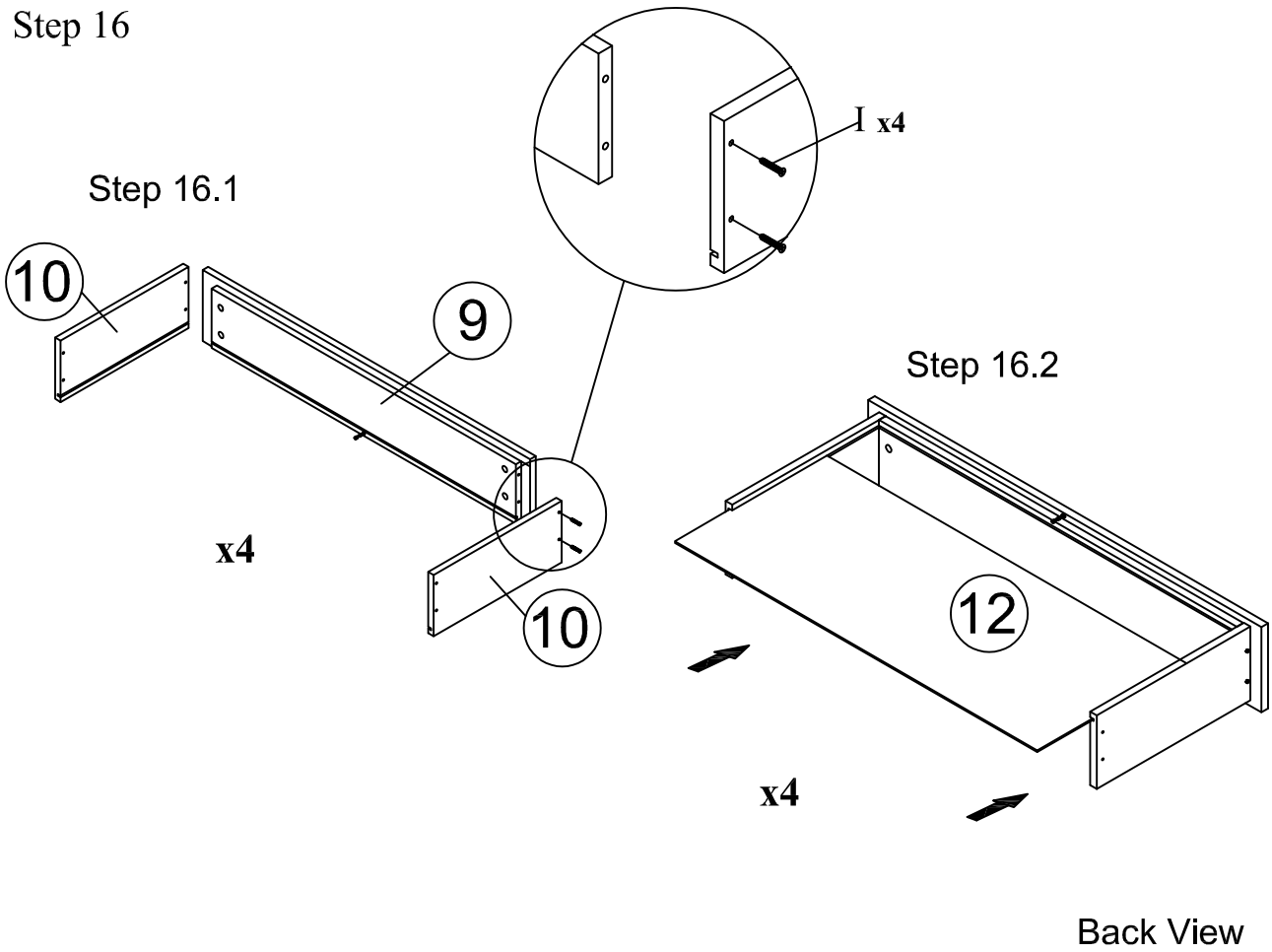
Step 14



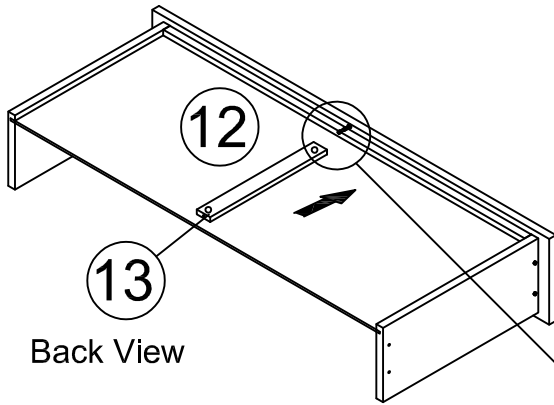
Step 15



Step 16

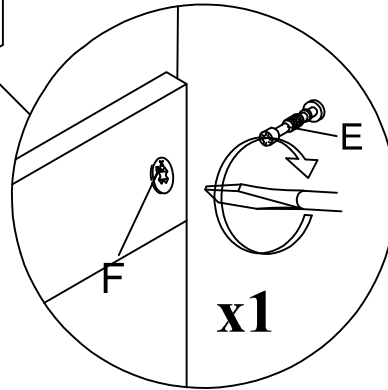
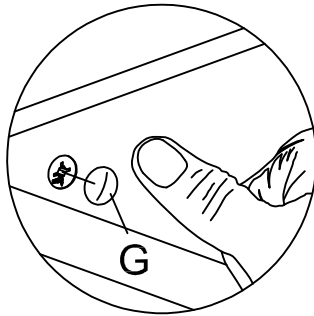


Step 16.3



Back View

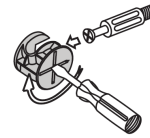
x4



x1

**Attach Minifix Cap as shown.*

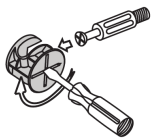
This is how a mini fix works...



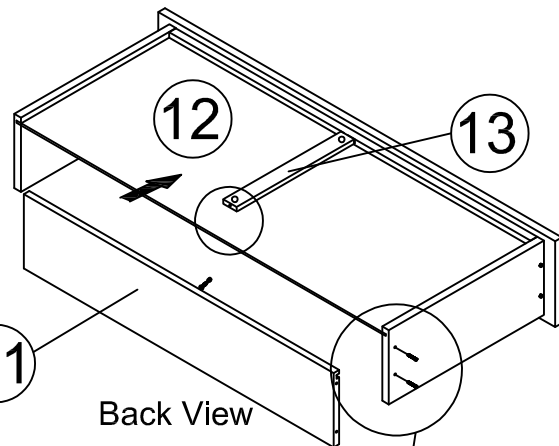
The head of the mini fix housing goes into the open mouth of the mini fix bolt. You then turn the mini fix housing so it tightens over the mini fix bolt.

Step 16.4

This is how a mini fix works...

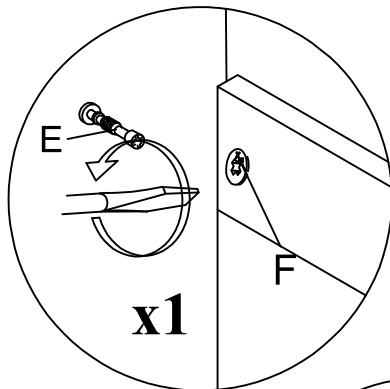


The head of the mini fix housing goes into the open mouth of the mini fix bolt. You then turn the mini fix housing so it tightens over the mini fix bolt.

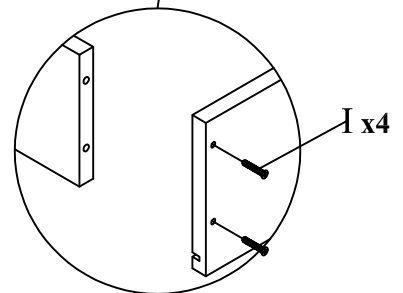
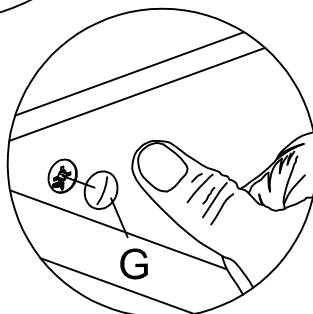


Back View

x4



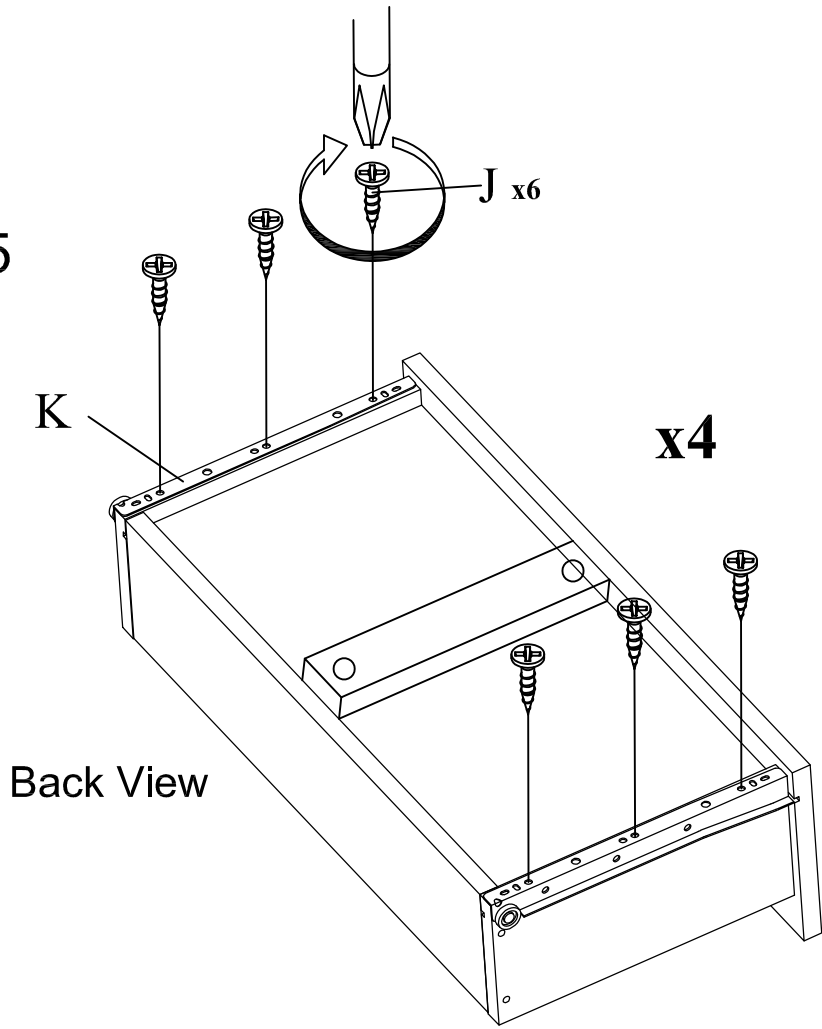
x1



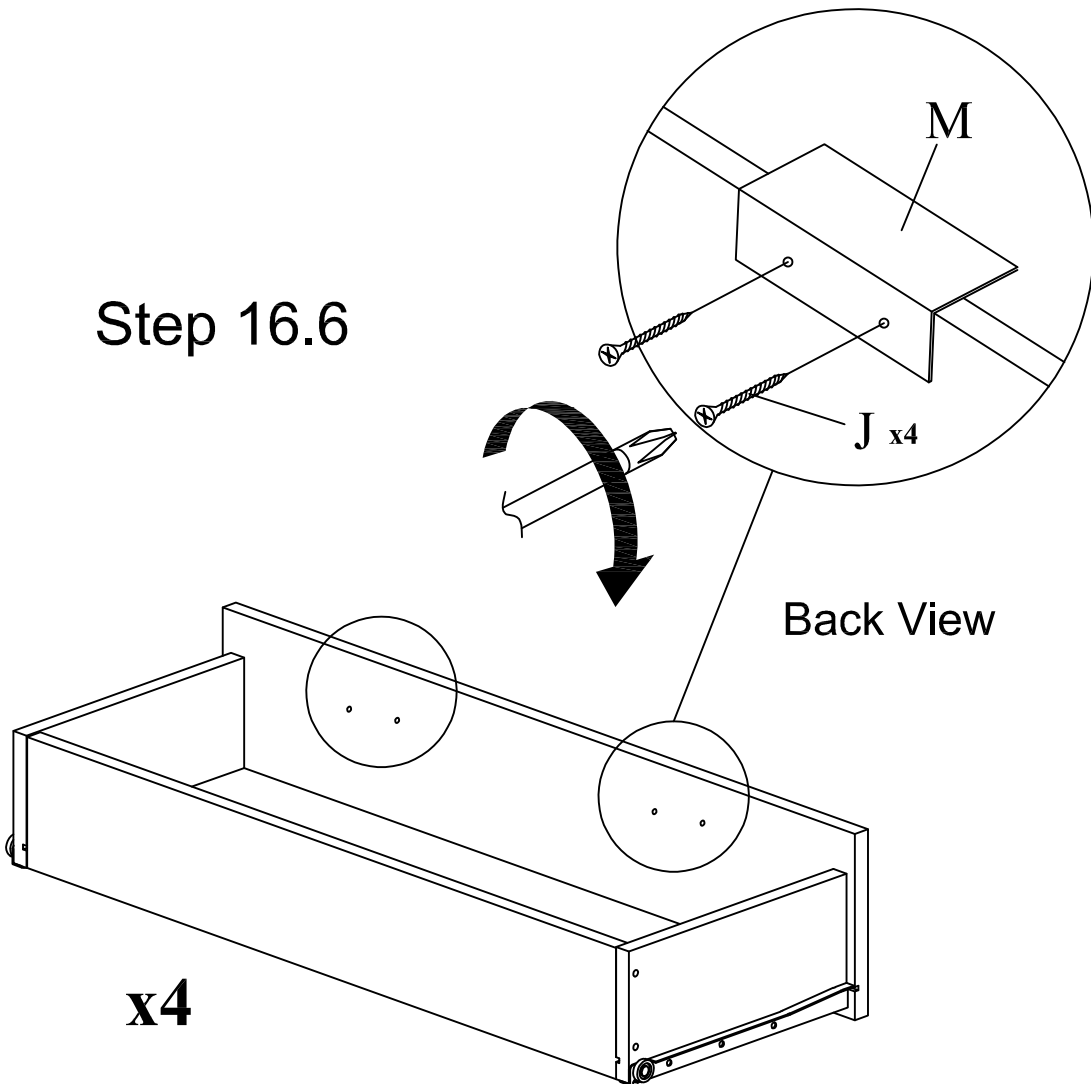
I x4

**Attach Minifix Cap as shown.*

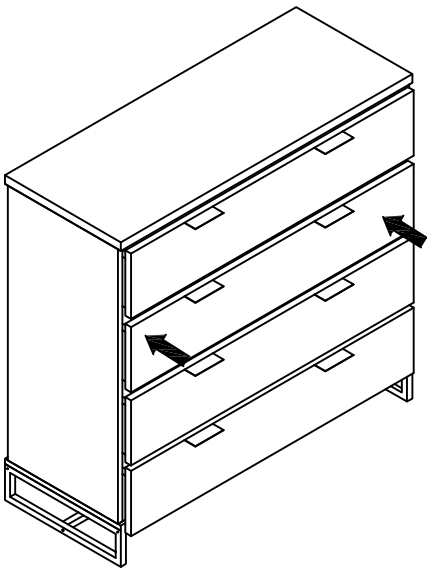
Step 16.5



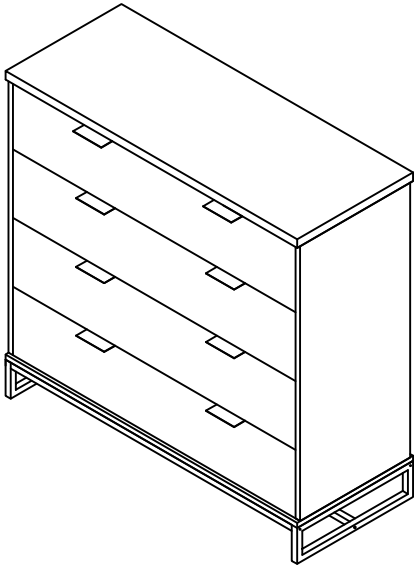
Step 16.6



Step 17



Step 18



Anti -
Tipping

(A)



CSK Screw
M3.5x16mm
1PC

(B)



CSK Screw
M4x50mm
1PC

(C)

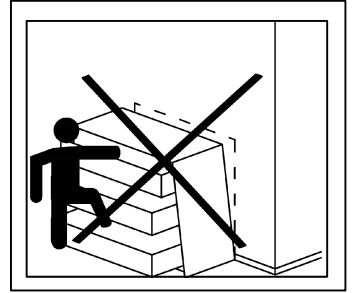
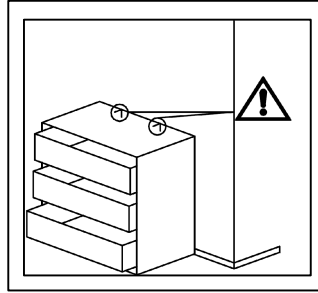


L BRACKET
2PCS

(D)



CABLE TIE
1PC



BACK VIEW

