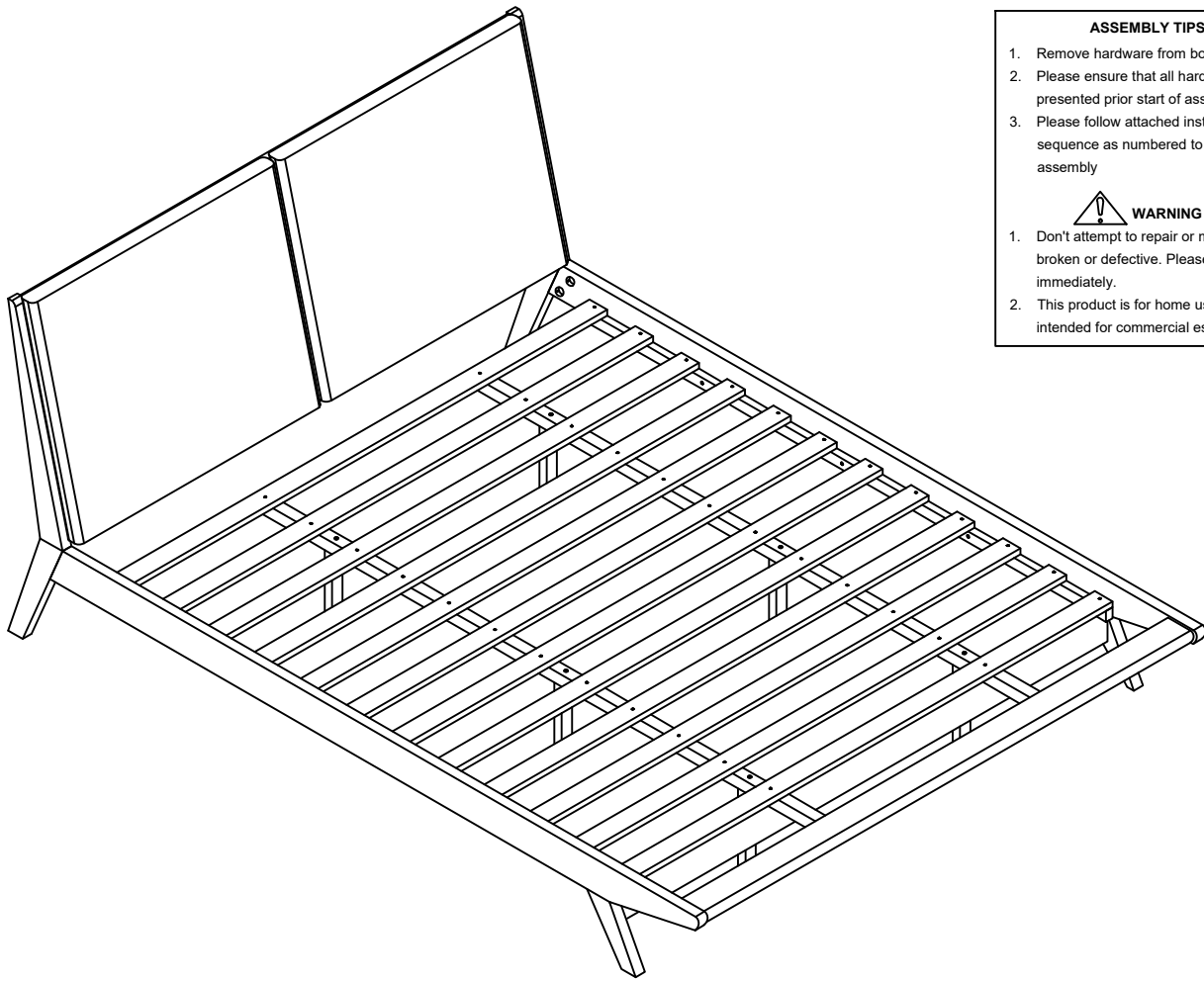


# AMOUR 03 KING



## ASSEMBLY TIPS

1. Remove hardware from box and sort by size.
2. Please ensure that all hardware and parts are presented prior start of assembly.
3. Please follow attached instruction in the same sequence as numbered to assure fast and easy assembly

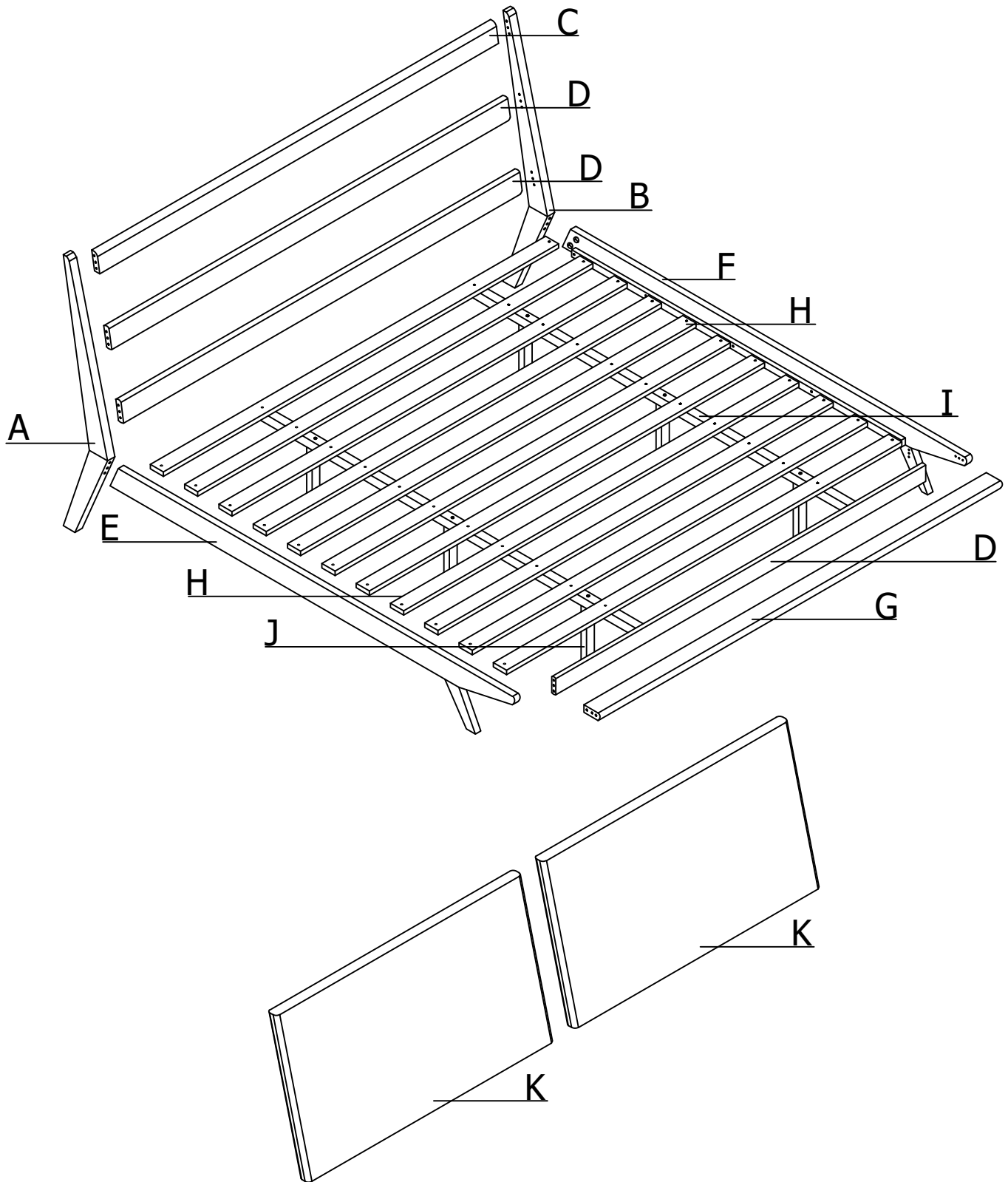


## WARNING !

1. Don't attempt to repair or modify part that are broken or defective. Please contact with the store immediately.
2. This product is for home use only and not intended for commercial establishment.

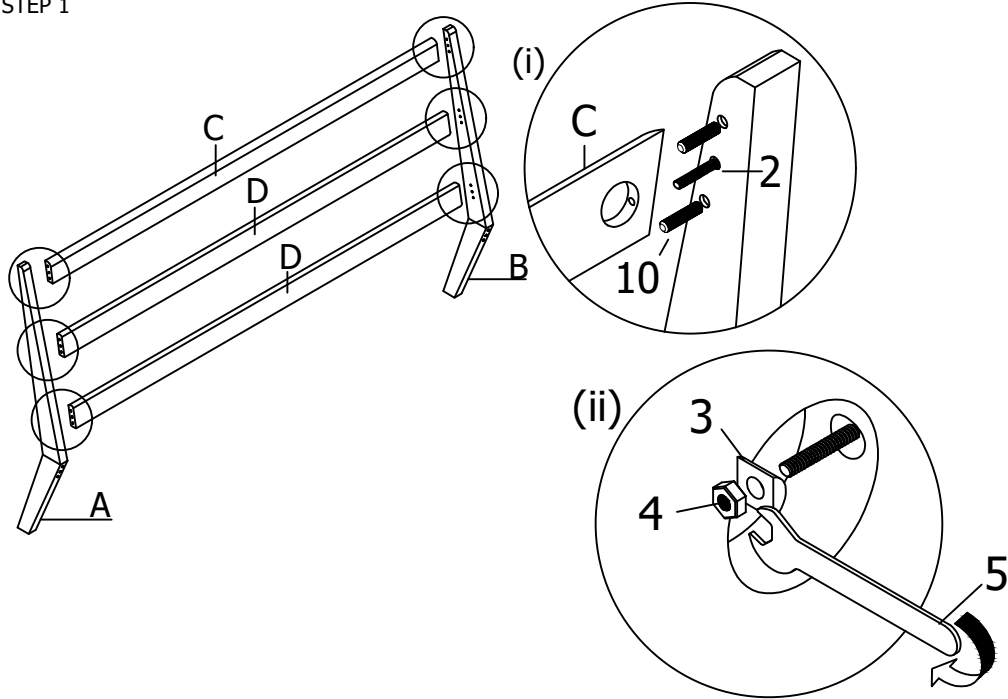
NO	HARDWARE LIST	QTY	NO	HARDWARE LIST	QTY
1	 JCBC M6 x 60mm	6	6	 ALLEN KEY M4	1
2	 FULL TREAD STUD	14	7	 CSK M4 x 25mm	48
3	 PLASTIC WASHER	14	8	 BASED GLIDE	6
4	 HEX NUT M6	14	9	 BARREL NUT	6
5	 SPANNER	1	10	 WOODEN DOWER	22

# PART LIST

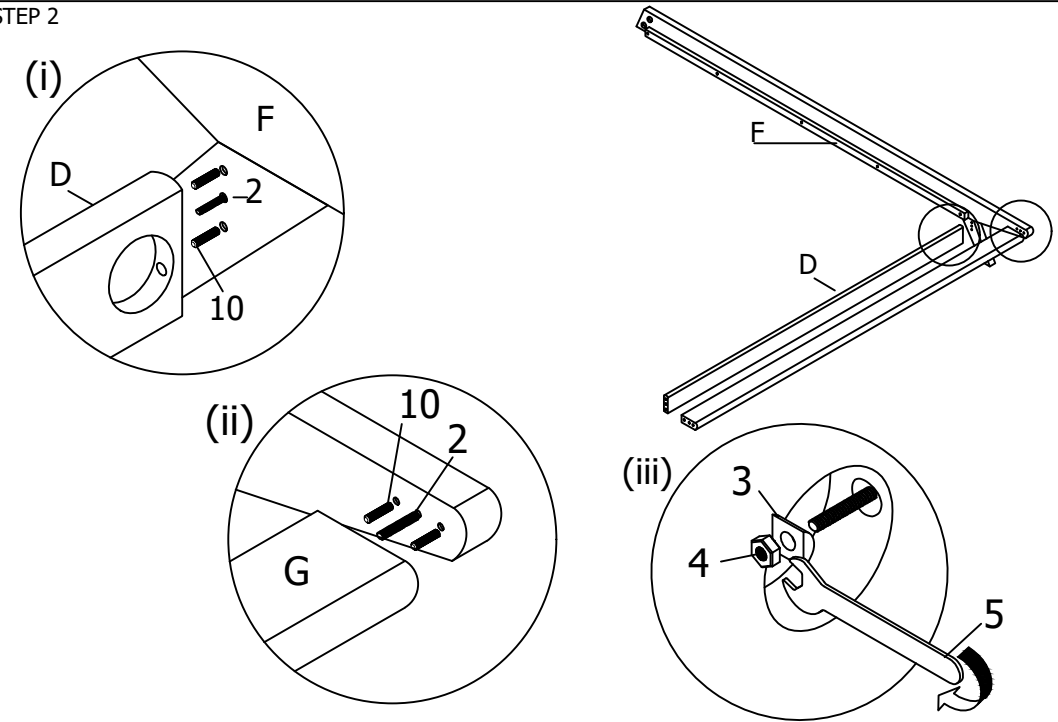


# ASSEMBLY INSTRUCTION

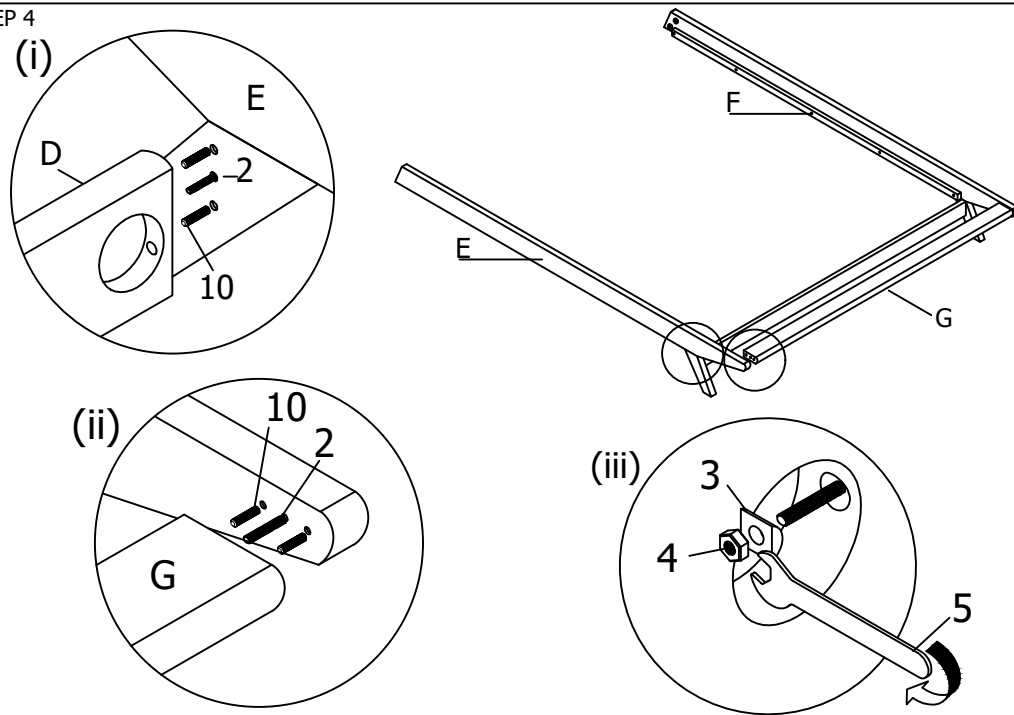
STEP 1



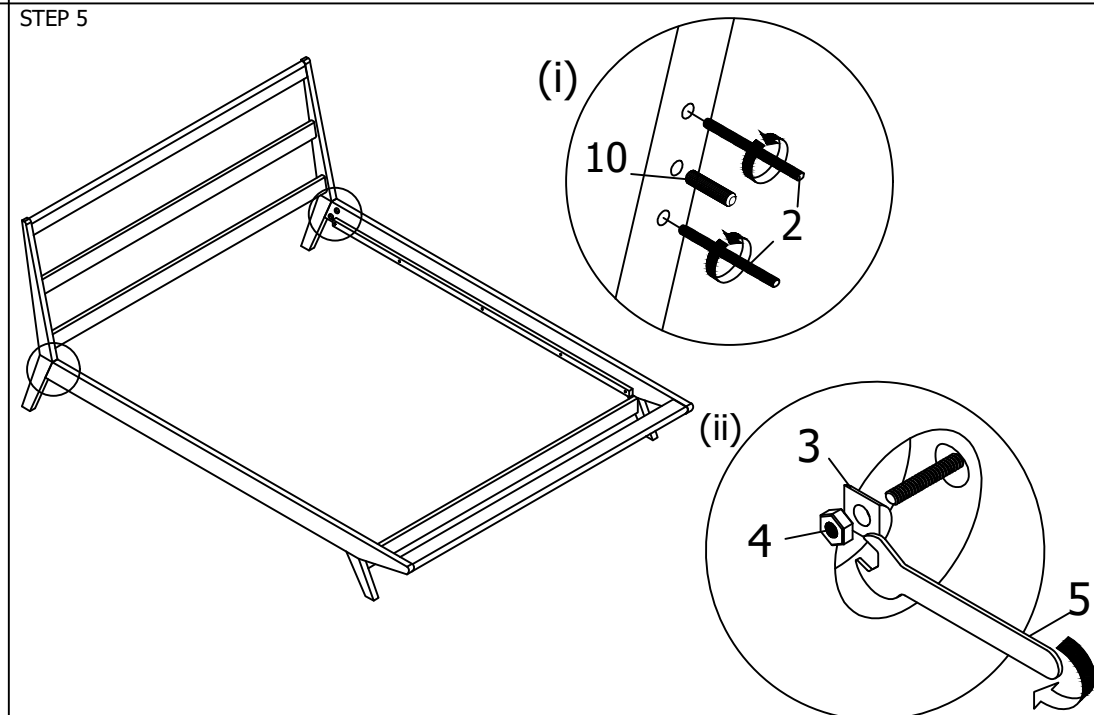
STEP 2



STEP 4

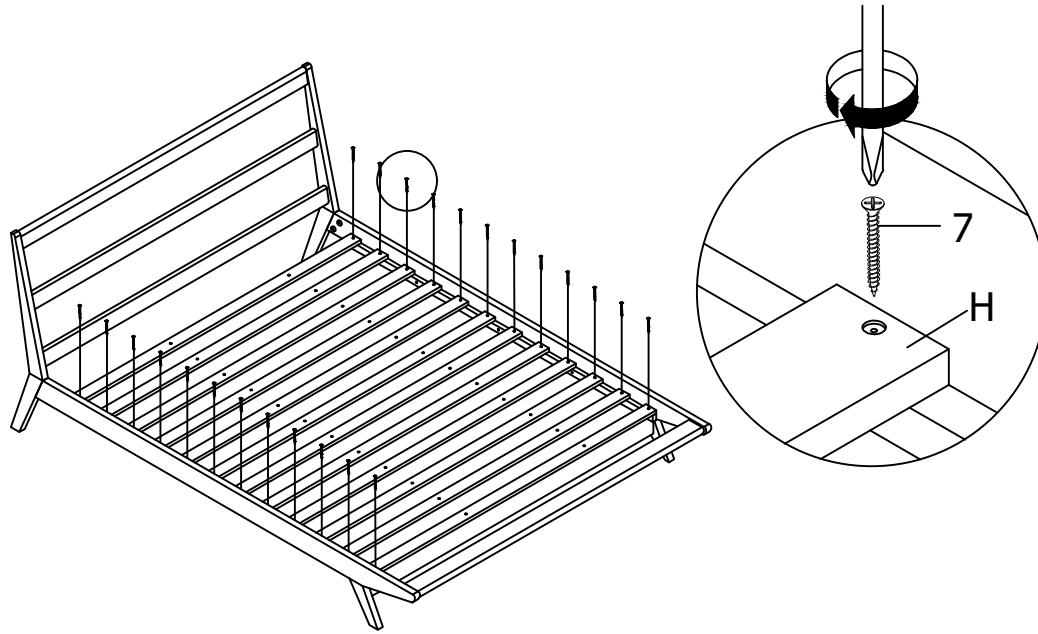


STEP 5

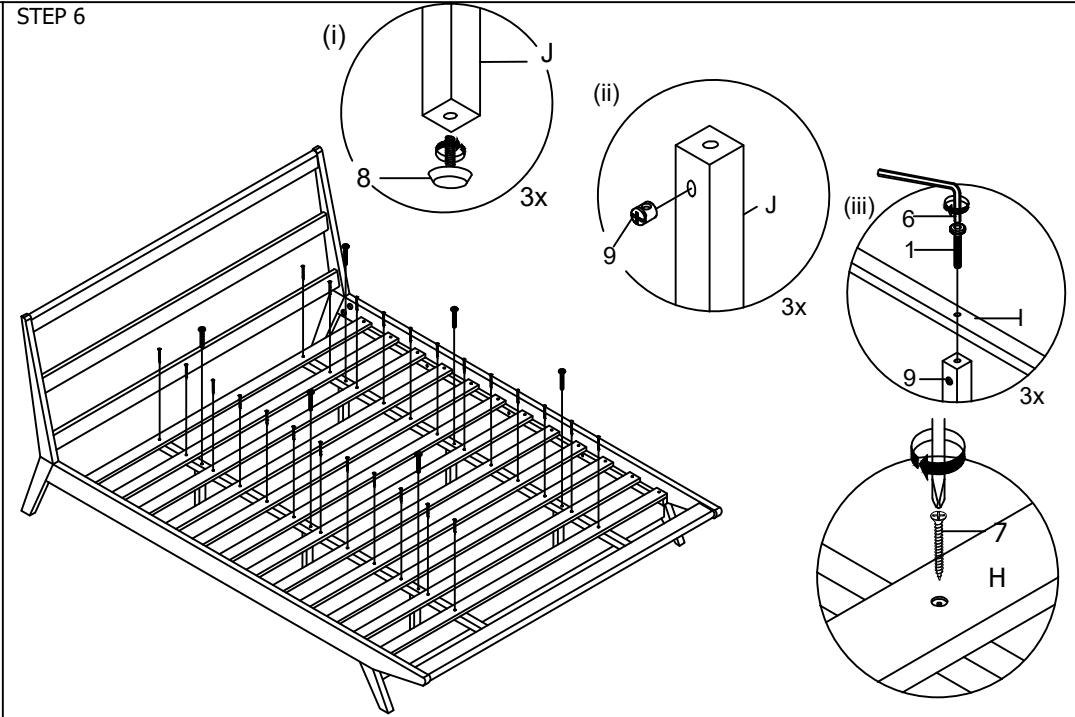


# ASSEMBLY INSTRUCTION

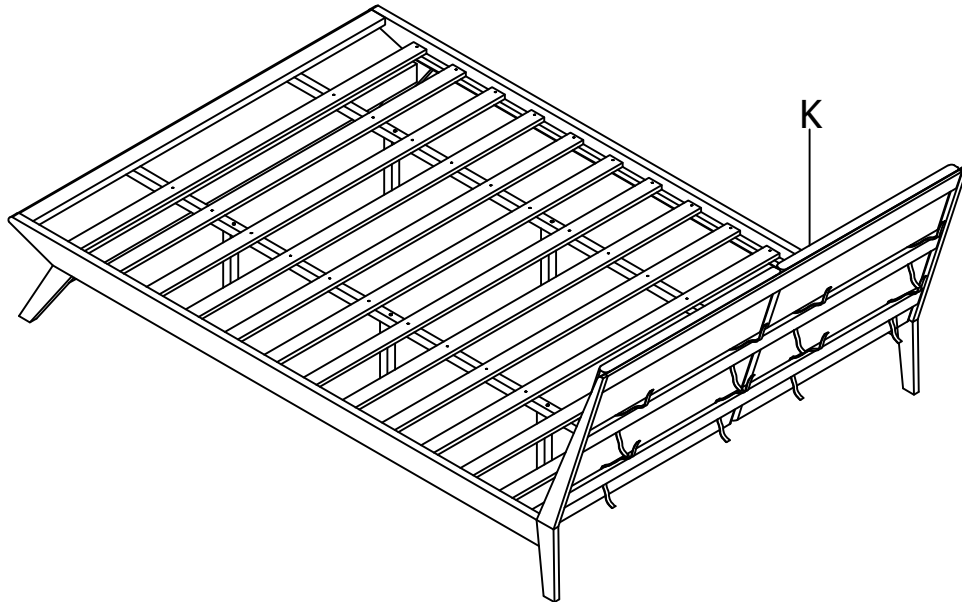
STEP 5



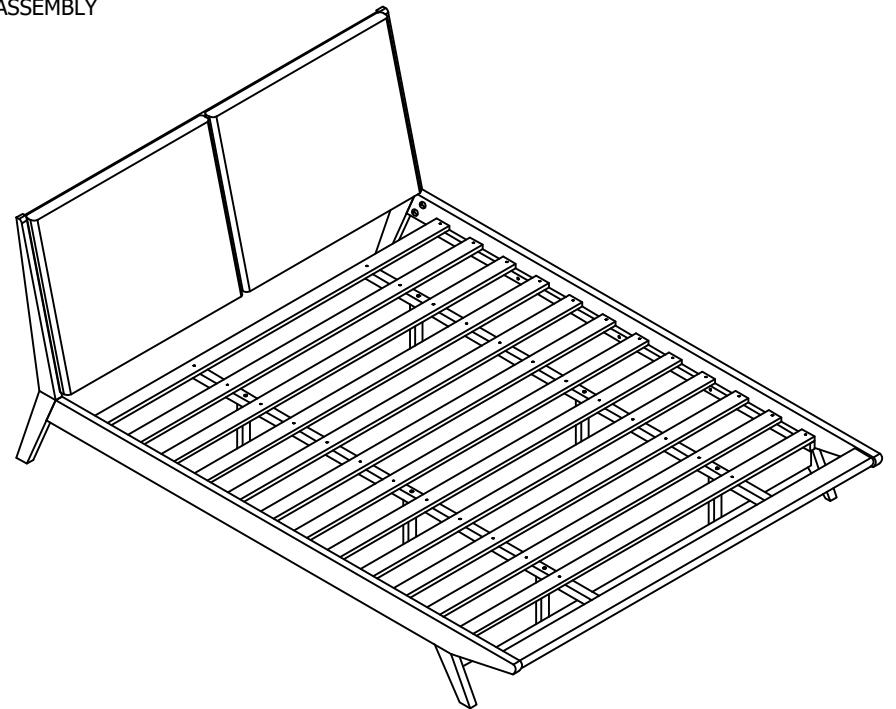
STEP 6



STEP 7



COMPLETE ASSEMBLY



REMARK : TIE THE CUSHION (K) ROPE AT (D) ON THE SECOND AND THIRD OF WINDOW SLAT. MAKE SURE CUSHION IN POSITION BEFORE TIE.