

ASSEMBLY INSTRUCTION

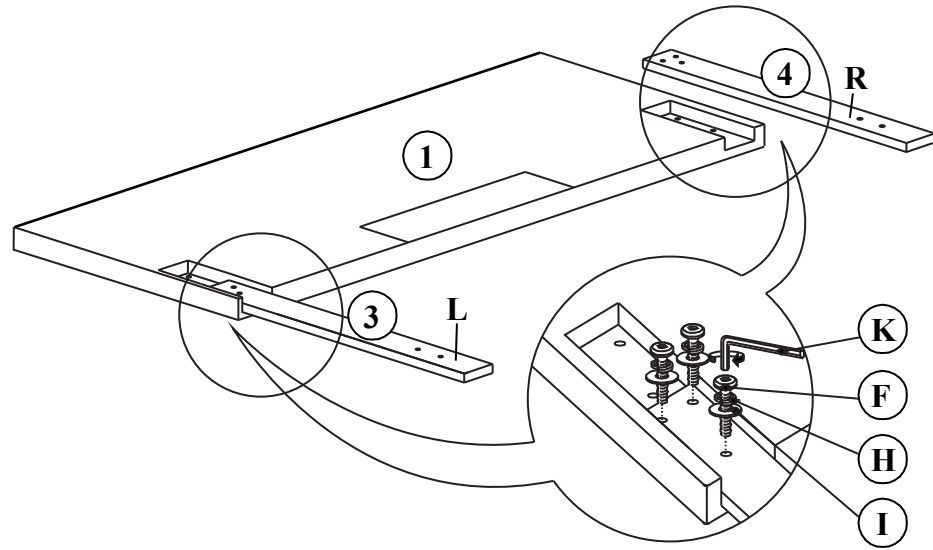
ITEM : Netti - KB

NO	PARTLIST	QTY
1	HEADBOARD CUSHION	1PC
2	BED RAIL	2PCS
3	HEADBOARD LEG WITH LABEL "L"	1PC
4	HEADBOARD LEG WITH LABEL "R"	1PC
5	FOOTBOARD TOP PANEL	1PC
6	FOOTBOARD BOTTOM PANEL	1PC
7	FOOTBOARD SIDE PANEL LEFT	1PC
8	FOOTBOARD SIDE PANEL RIGHT	1PC
9	FOOTBOARD CENTER PANEL	1PC
10	DRAWER HEAD	2PCS
11	DRAWER SIDE LEFT	2PCS
12	DRAWER SIDE RIGHT	2PCS
13	DRAWER BACK	2PCS
14	DRAWER SUPPORT	2PCS
15	DRAWER PANEL	2PCS
16	FOOTBOARD LEG	4PCS
17	FOOTBOARD SUPPORT	1PC
18	BED SLAT SUPPORT LEG (with adjustable feet)	6PCS
19	BED SLAT	1 SET
20	BED SLAT SUPPORT	2PCS

ITEM	HARDWARE	QTY
A	MINIFIX CAM LOCK	12PCS
B	MINIFIX CAM BOLT	12PCS
C	WOOD DOWEL (M10 x 30MM)	12PCS
D	WOOD DOWEL (M6 x 30MM)	16PCS
E	JCBC SCREW M8 x 20MM	8PCS
F	JCBC SCREW M6 x 45MM	6PCS
G	JCBC SCREW M6 x 50MM	27PCS
H	SPRING WAHSER M6 x 13MM	23PCS
I	FLAT WASHER M6 x 13MM	23PCS
J	CSK C/B SCREW M4 x 32MM	6PCS
K	SMALL ALLEN KEY M4 x 100MM	1PC
L	BIG ALLEN KEY M5 x 65MM	1PC

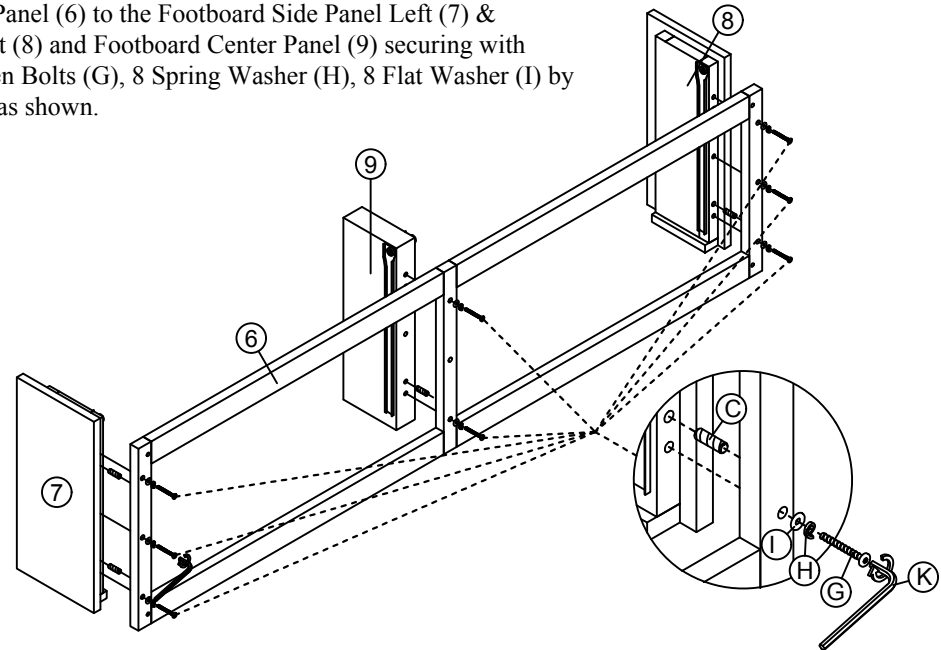
STEP 1

Begin assembly by attaching each Headboard Leg (3) & (4) to the bottom of the Headboard Cushion (1) by aligning the hole and securing with 3 Allen Bolts (F), 3 Spring Washer (H), 3 Flat Washer (I) per leg using L-Key (K) provided as shown.



STEP 2

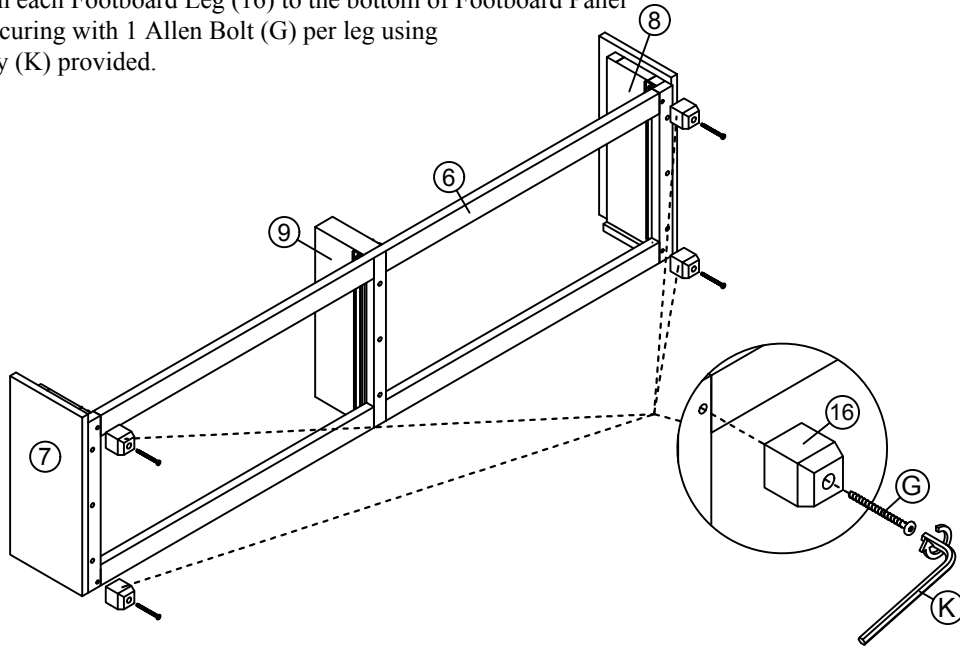
Attach Footboard Bottom Panel (6) to the Footboard Side Panel Left (7) & Footboard Side Panel Right (8) and Footboard Center Panel (9) securing with 6 Wood Dowel (C), 8 Allen Bolts (G), 8 Spring Washer (H), 8 Flat Washer (I) by using L-Key (K) provided as shown.



ASSEMBLY INSTRUCTION

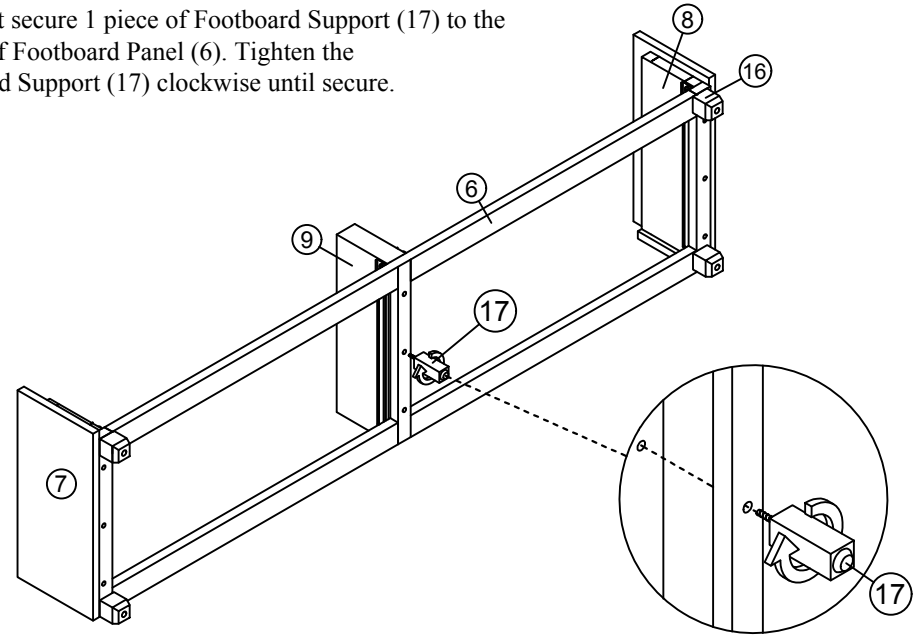
STEP 3

Attach each Footboard Leg (16) to the bottom of Footboard Panel (6) securing with 1 Allen Bolt (G) per leg using L-Key (K) provided.



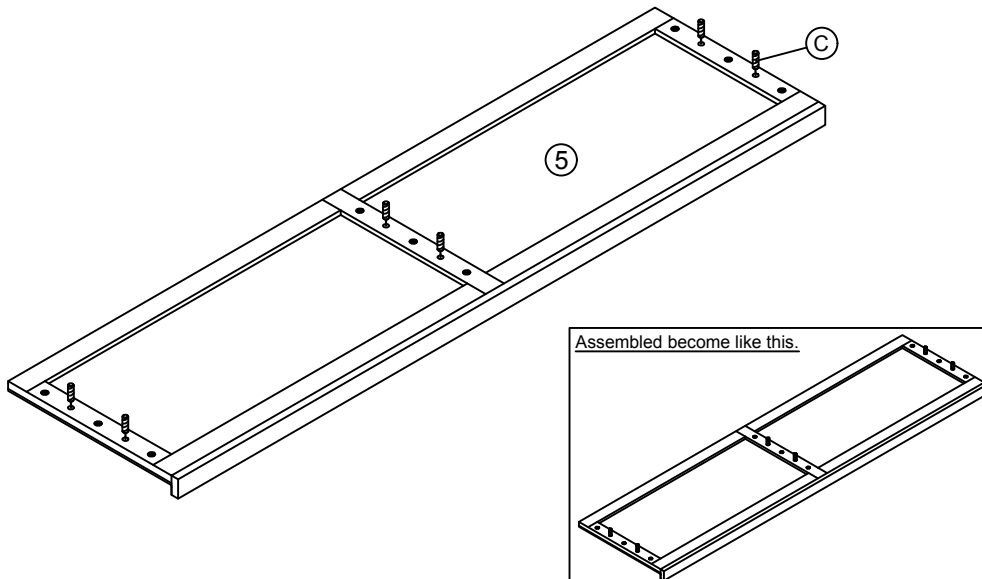
STEP 4

After that secure 1 piece of Footboard Support (17) to the bottom of Footboard Panel (6). Tighten the Footboard Support (17) clockwise until secure.



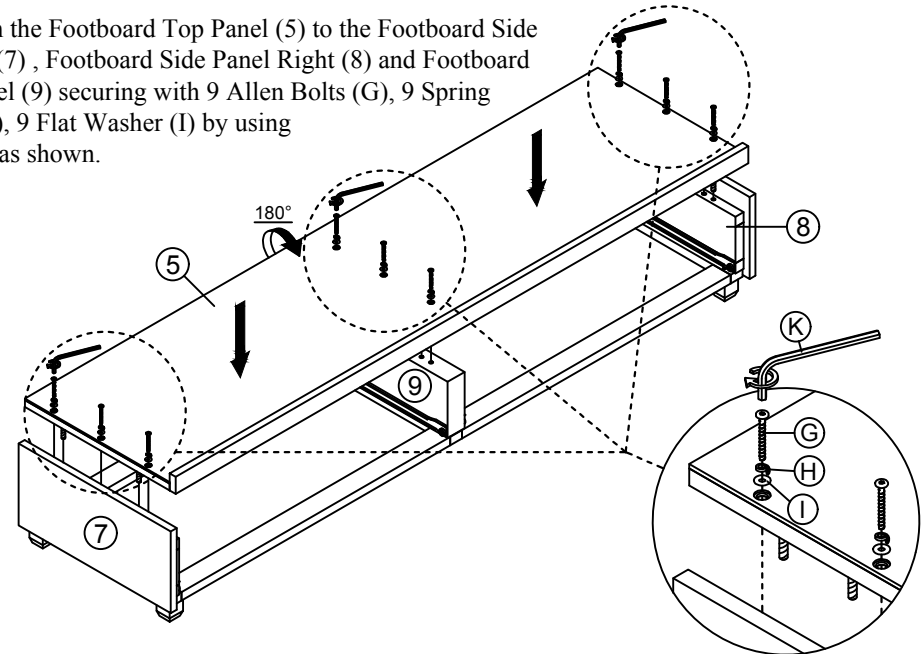
STEP 5

Insert 6 Wood Dowel (C) to the Footboard Top Panel (5) as shown.



STEP 6

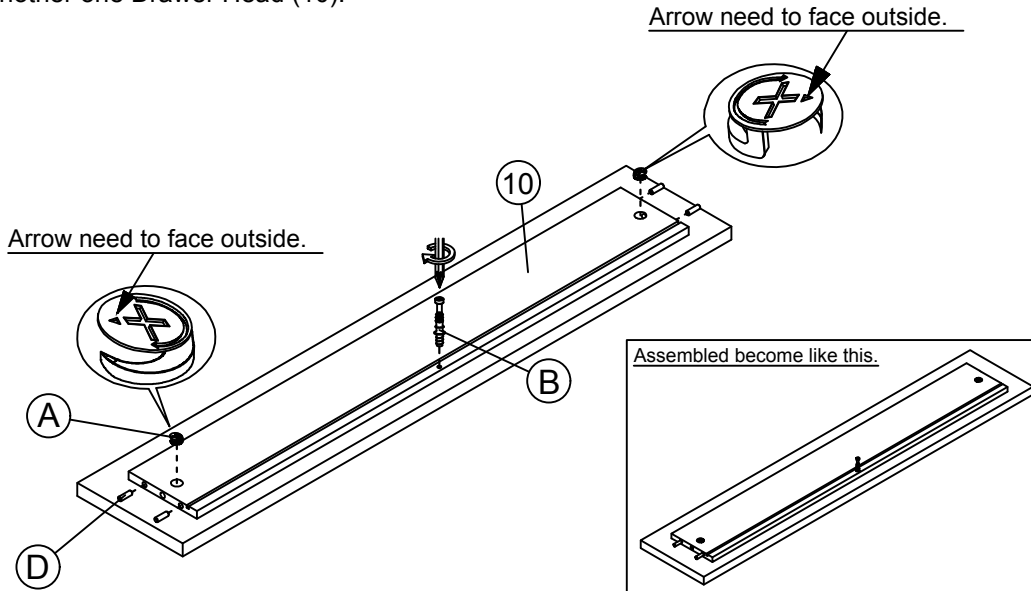
Then attach the Footboard Top Panel (5) to the Footboard Side Panel Left (7), Footboard Side Panel Right (8) and Footboard Center Panel (9) securing with 9 Allen Bolts (G), 9 Spring Washer (H), 9 Flat Washer (I) by using L-Key (K) as shown.



ASSEMBLY INSTRUCTION

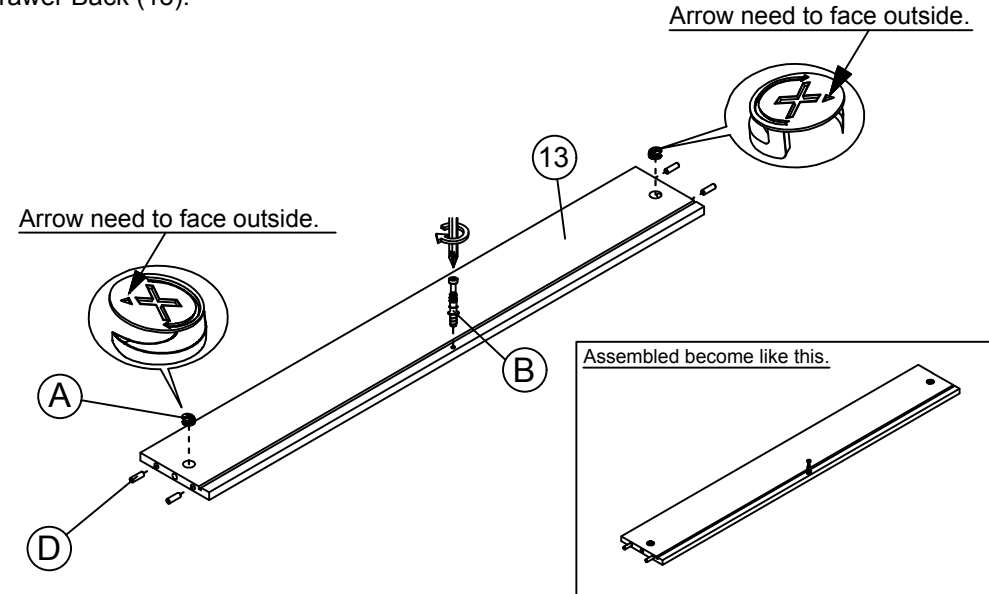
STEP 7

Insert 2 Minifix Cam Lock (A), 1 Minifix Cam Bolt (B) and 4 Wood Dowel (D) to the each of the Drawer Head (10) as shown below. Please repeat the same procedure to the another one Drawer Head (10).



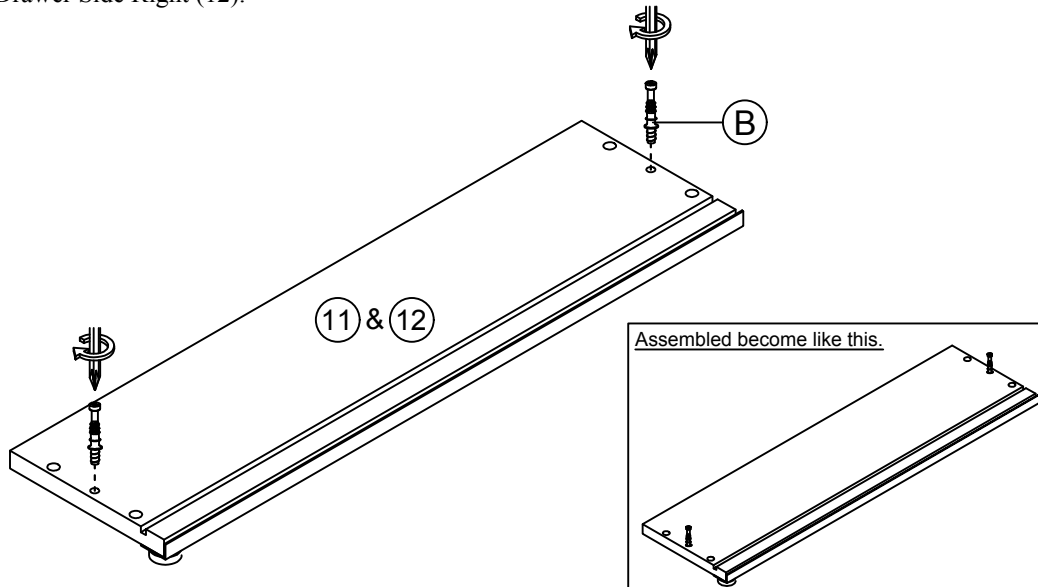
STEP 8

Insert 2 Minifix Cam Lock (A), 1 Minifix Cam Bolt (B) and 4 Wood Dowel (D) to the each of the Drawer Back (13) as shown below. Please repeat the same procedure to the another one Drawer Back (13).



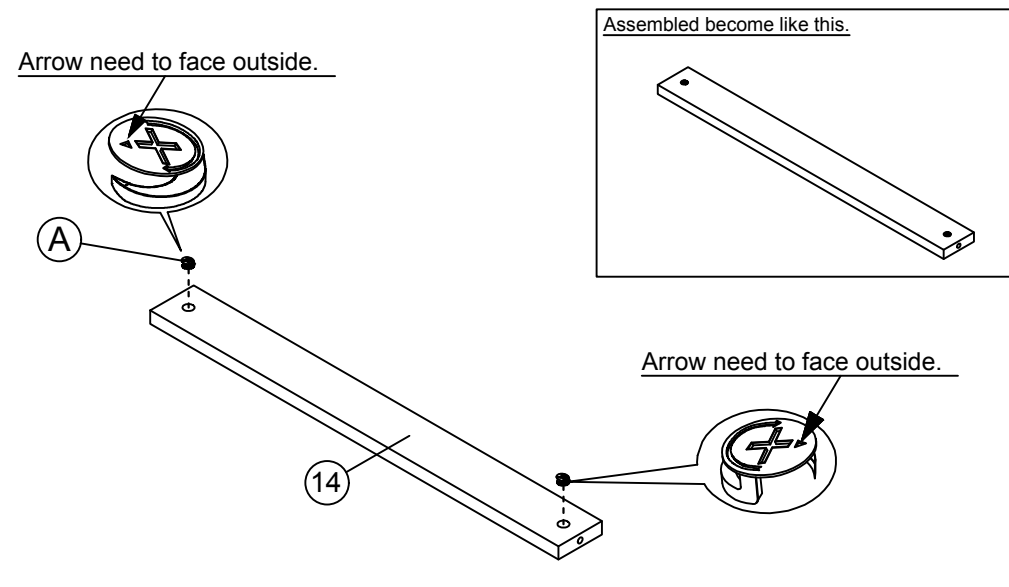
STEP 9

Insert 2 Minifix Cam Bolts (B) to the each of the Drawer Side Left (11) and Drawer Side Right (12) as shown. Please repeat the same procedure to the another one Drawer Side Left (11) & Drawer Side Right (12).



STEP 10

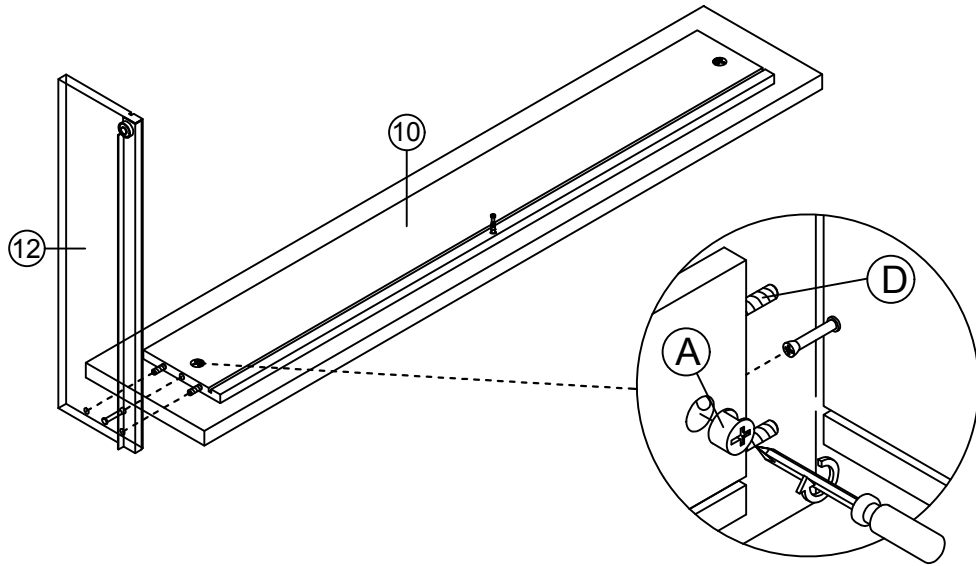
Insert 2 Minifix Cam Lock (A) to the each of the Drawer Support (14) as shown. Please repeat the same procedure to the another one Drawer Support (14).



ASSEMBLY INSTRUCTION

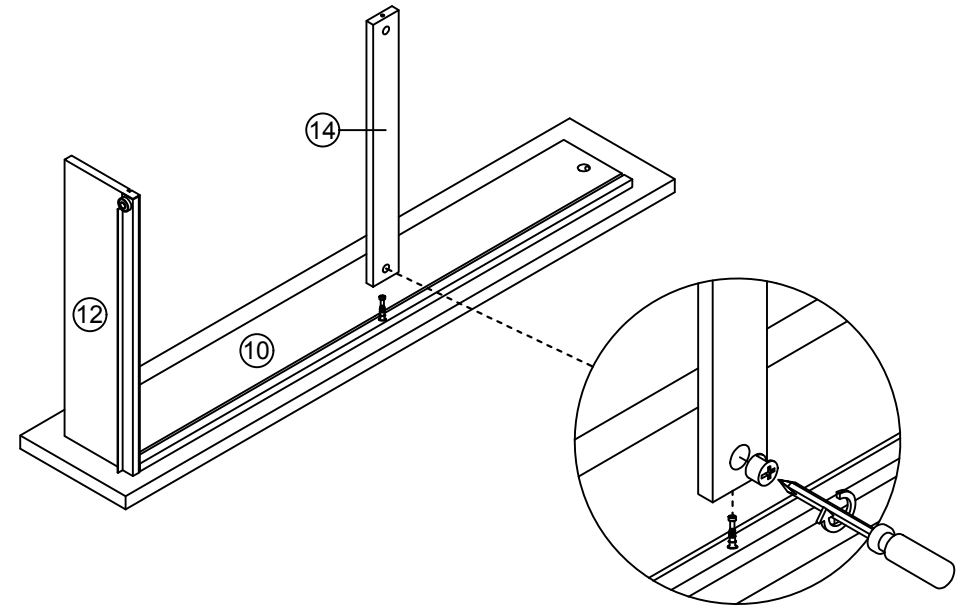
STEP 11

Attach Drawer Side Right (12) to the side of the Drawer Head (10), then tighten the 1 Minifix Cam Lock (A) which pre-insert in Step 7 with a Philips screwdriver (not included) as shown.



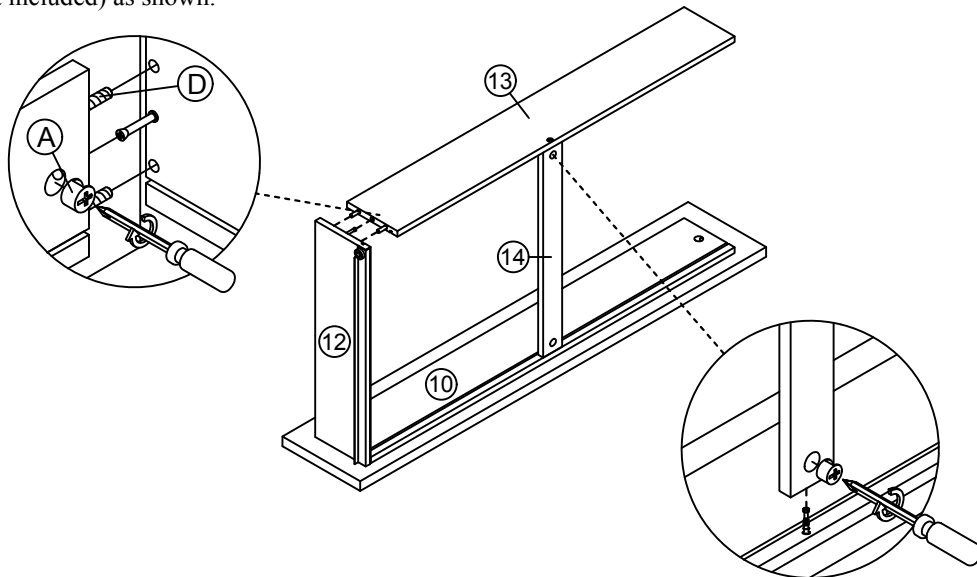
STEP 12

After that, attached Drawer Support (14) to the Drawer Head (10), then tighten the 1 Minifix Cam Lock (A) which pre-insert in Step 10 with a Philips screwdriver (not included) as shown.



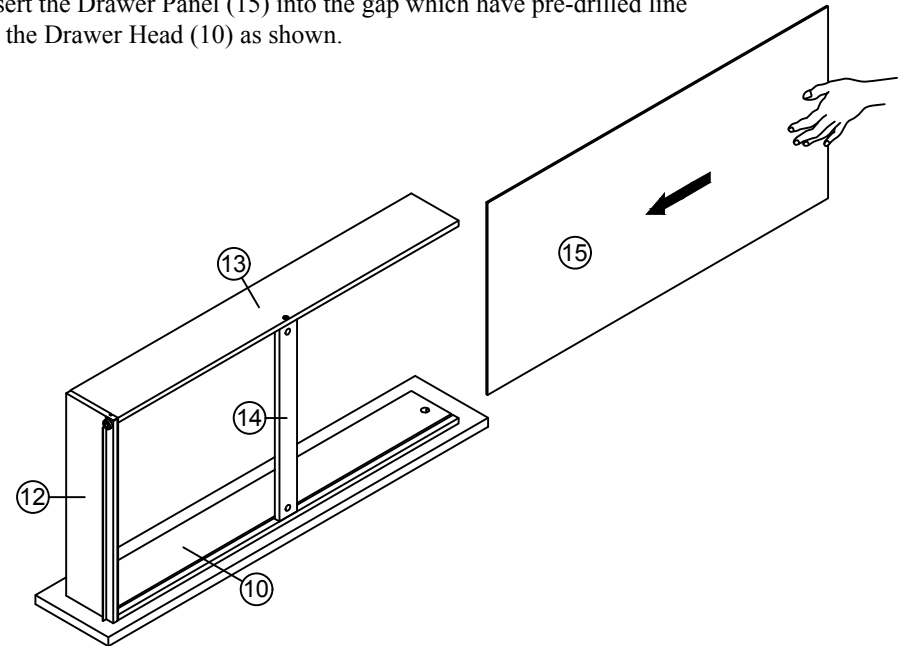
STEP 13

Attach Drawer Back (13) to the end of Drawer Side Right (12) and Drawer Support (14), then tighten the 2 Minifix Cam Lock (A) which pre-insert in Step 9 & 10 with a Philips screwdriver (not included) as shown.



STEP 14

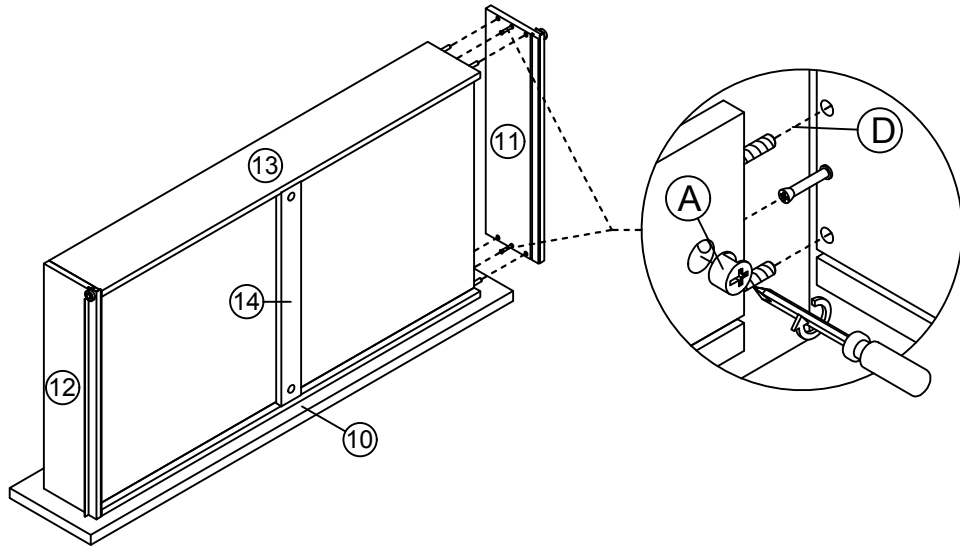
Insert the Drawer Panel (15) into the gap which have pre-drilled line on the Drawer Head (10) as shown.



ASSEMBLY INSTRUCTION

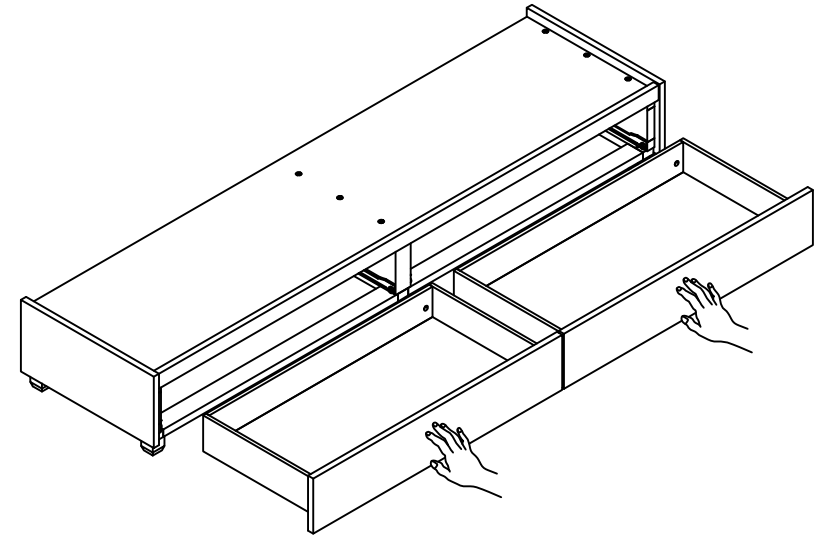
STEP 15

Attach Drawer Side Left (11) to the end of Drawer Head (10) and Drawer Back (13), then tighten 2 Minifix Cam Lock (A) which pre-insert in Step 9 with a Philips screwdriver (not included) as shown.



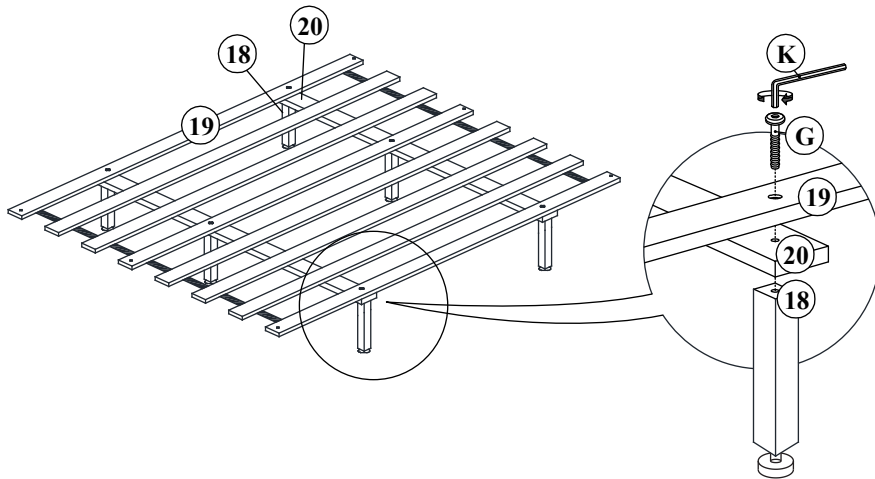
STEP 16

Please repeat the Step 11 until Step 15 to assembly another drawer. Then align the position to push the 2 Drawers into the footboard exactly by your hands as shown.



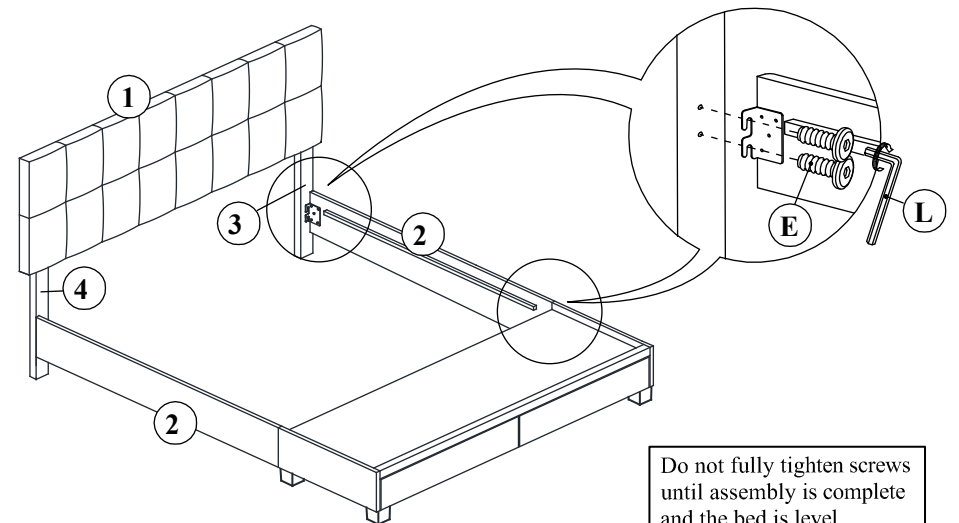
STEP 17

Attached Bed Slat (19) to the Bed Slat Support (20) and Bed Slat Support Leg (18) using 2 Allen Bolt (G) per each end. Tighten the bolts using L-Key (K) provided.



STEP 18

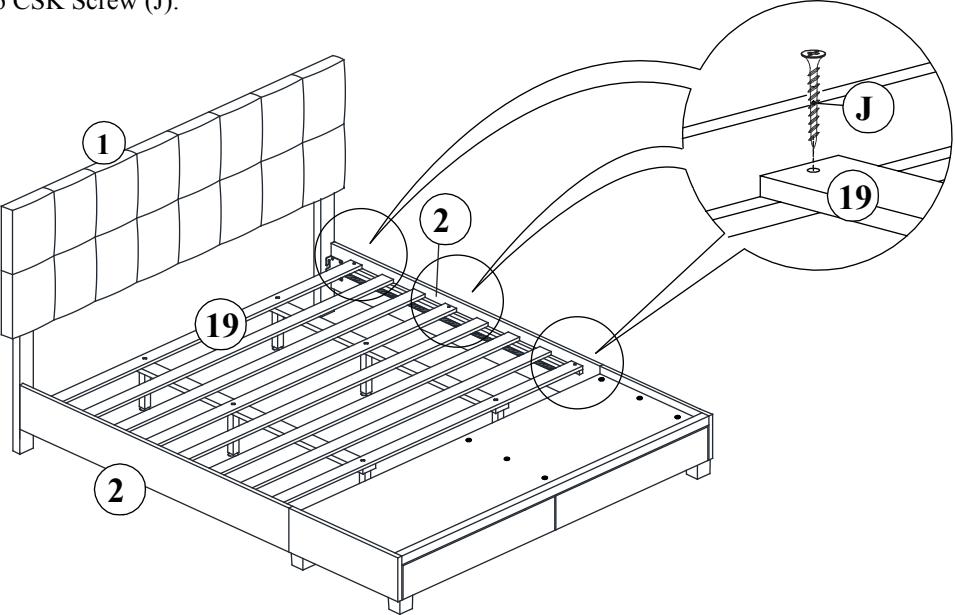
Attached Bed Rail (2) to the Headboard Leg (3) & (4) and Footboard each side as shown. Aligning holes and securing with 2 Allen Bolts (E) per each end by using L-Key (L) provided. (DO NOT FULLY TIGHTEN BOLTS FOR THIS STEP)



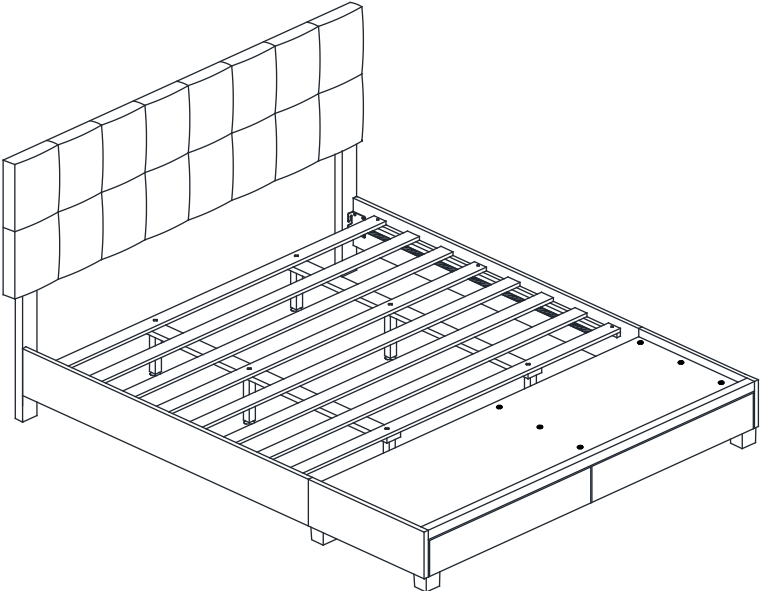
ASSEMBLY INSTRUCTION

STEP 19

Insert Bed Slat (19) in between Bed Rail (2). Secure Bed Slat (19) with 6 CSK Screw (J).
Tighten the screws with Philips screwdriver (not included).



STEP 20



ASSEMBLY
COMPLETED