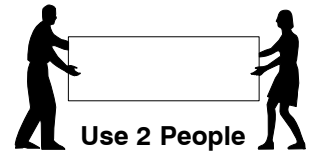
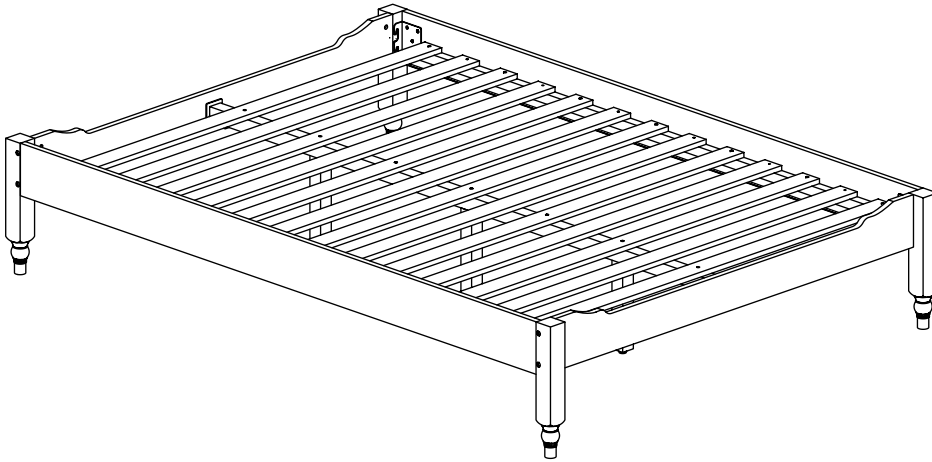


# 0011 Full Bed

## Assembly Instructions

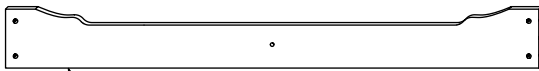
WII-0619

### 1 Assembled View

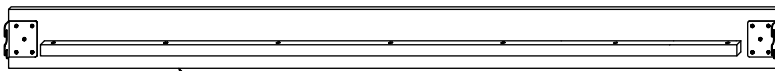


**Note:** Do not assemble using power tools. This can cause the bolts to be overtightened

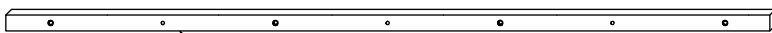
### 2 Parts List



**A** Head / Footboard Panel x 2



**B** Side Rail x 2



**C** Long Support x 1



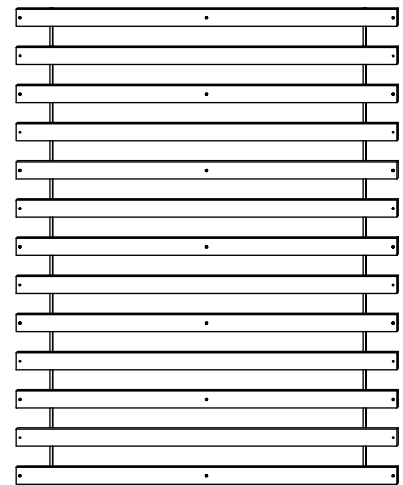
**D**  
Support Leg  
x 3



**E**  
Post  
(Left hand)  
x 2



**F**  
Post  
(Right hand)  
x 2



**G** Set of Bed Slats x 1

# 0011 Full Bed

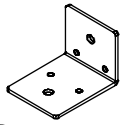
## Assembly Instructions

W11-0619

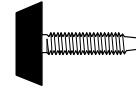
### 3 Hardware List



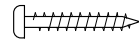
1 M4 Allen Key  
x 1



2 Center Rail  
Bracket x 2



3 Adjustable  
Foot x 3



4 Wood Screw  
(M4 x 32mm) x 12



5 Wood Dowel  
(10 x 40mm) x 4



6 Barrel Nut  
x 11



7 Spring Washer  
x 8



8 Flat Washer  
x 8



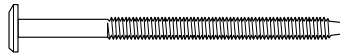
9 M6 x 15mm JCB  
x 4



10 M6 x 20mm JCB  
x 8



11 M6 x 40mm JCB  
x 18

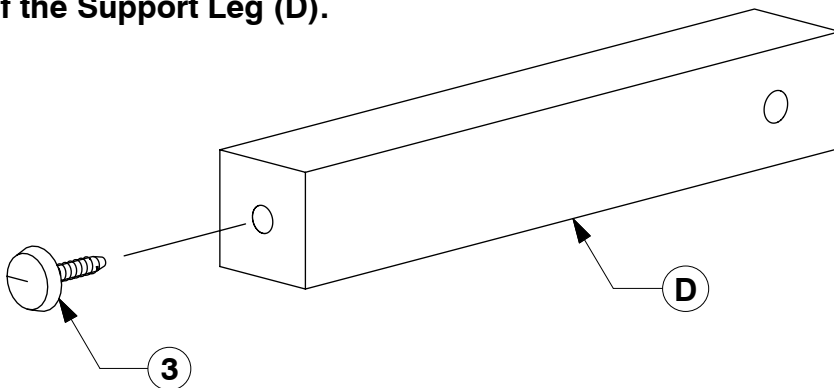


12 M6 x 90mm JCB  
x 8

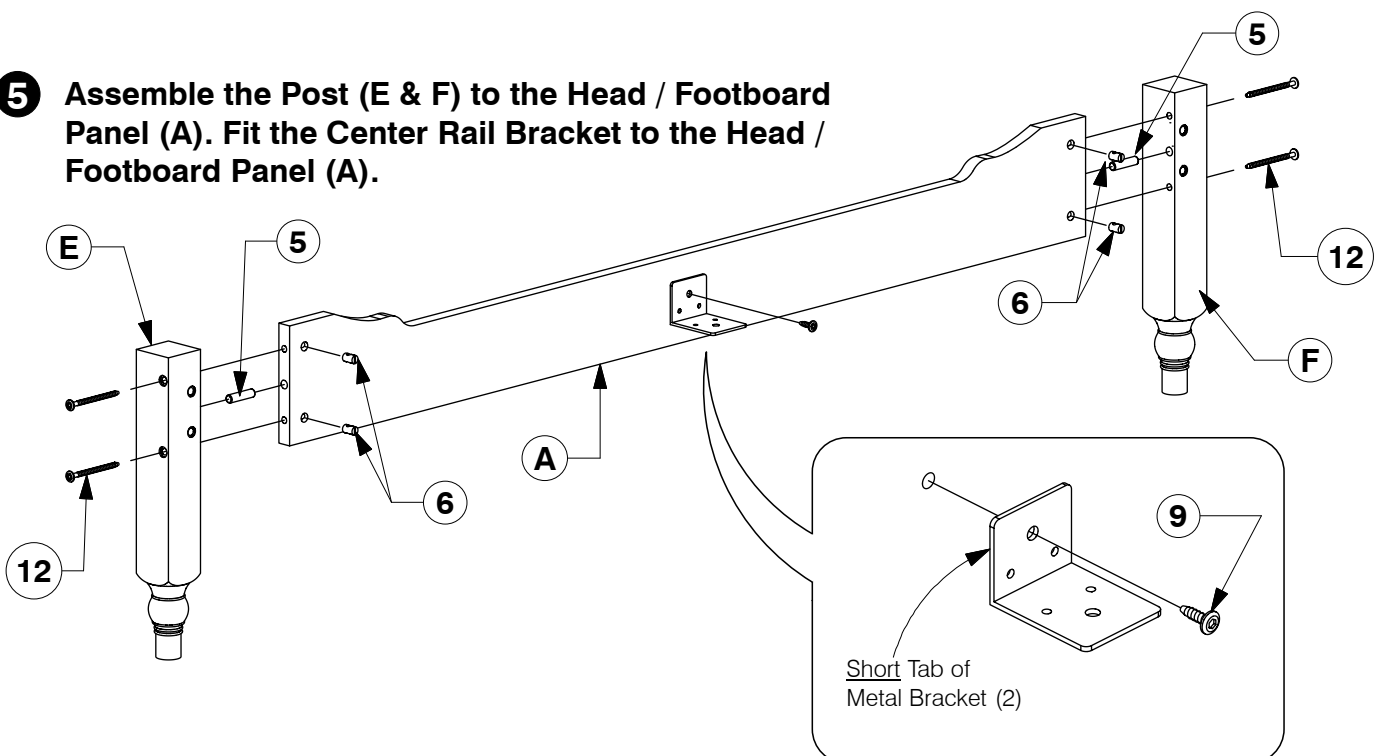


13 M6 x 100mm JCB  
x 3

### 4 Fix the Adjustable foot to the bottom of the Support Leg (D).



### 5 Assemble the Post (E & F) to the Head / Footboard Panel (A). Fit the Center Rail Bracket to the Head / Footboard Panel (A).

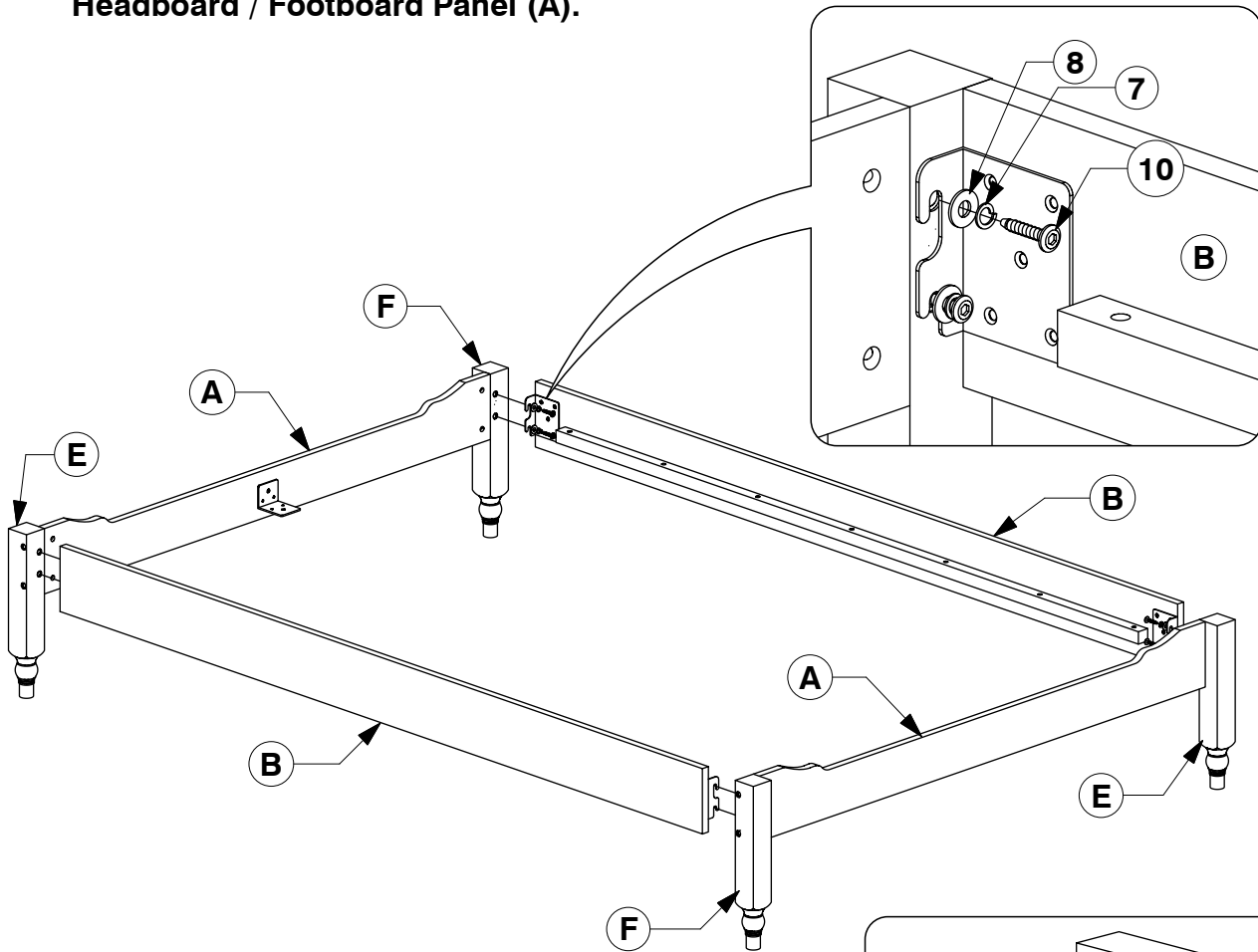


# 0011 Full Bed

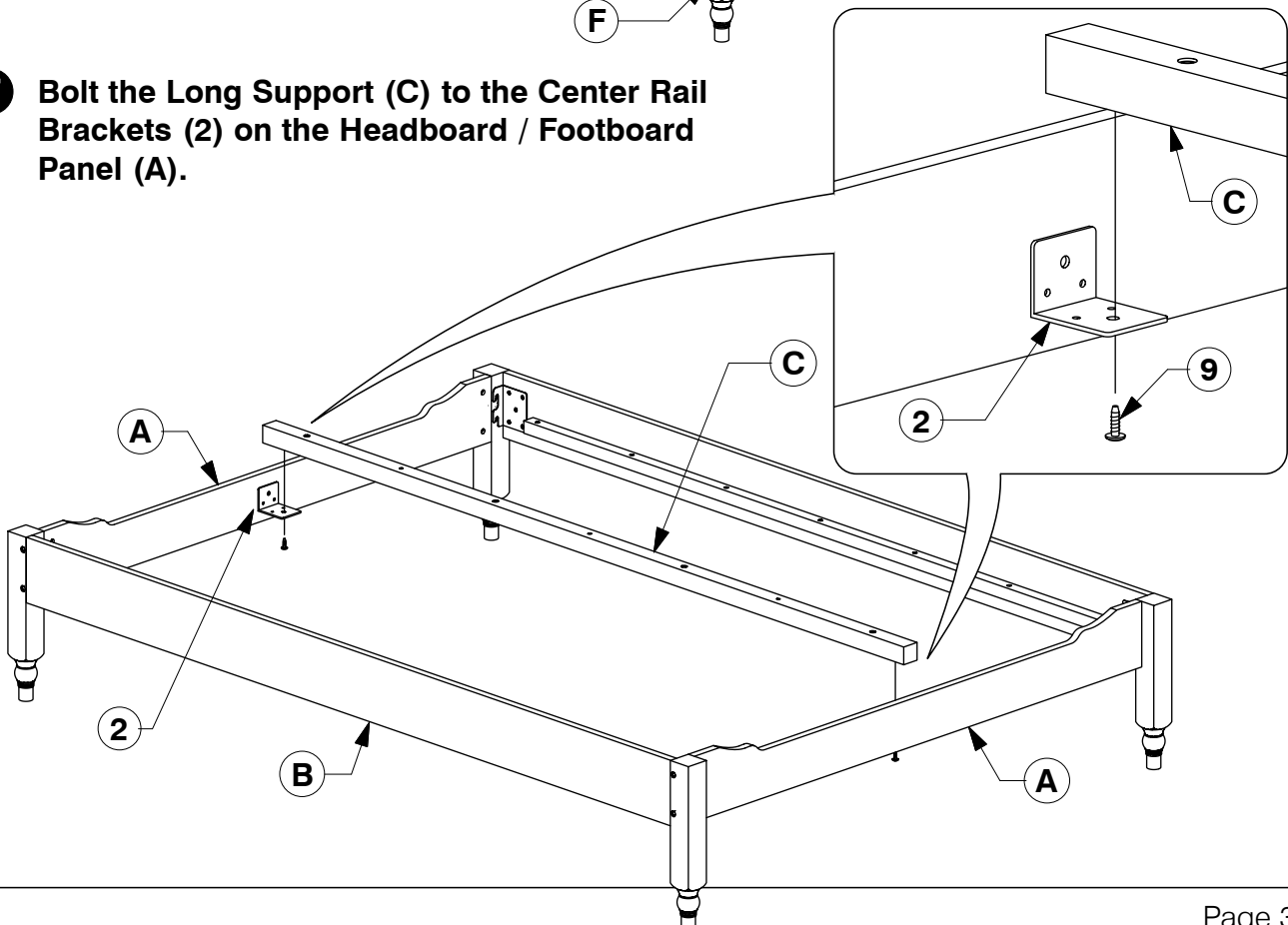
## Assembly Instructions

W11-0619

- 6 Assemble the Side Rail (B) to the Headboard / Footboard Panel (A).**



- 7 Bolt the Long Support (C) to the Center Rail Brackets (2) on the Headboard / Footboard Panel (A).**

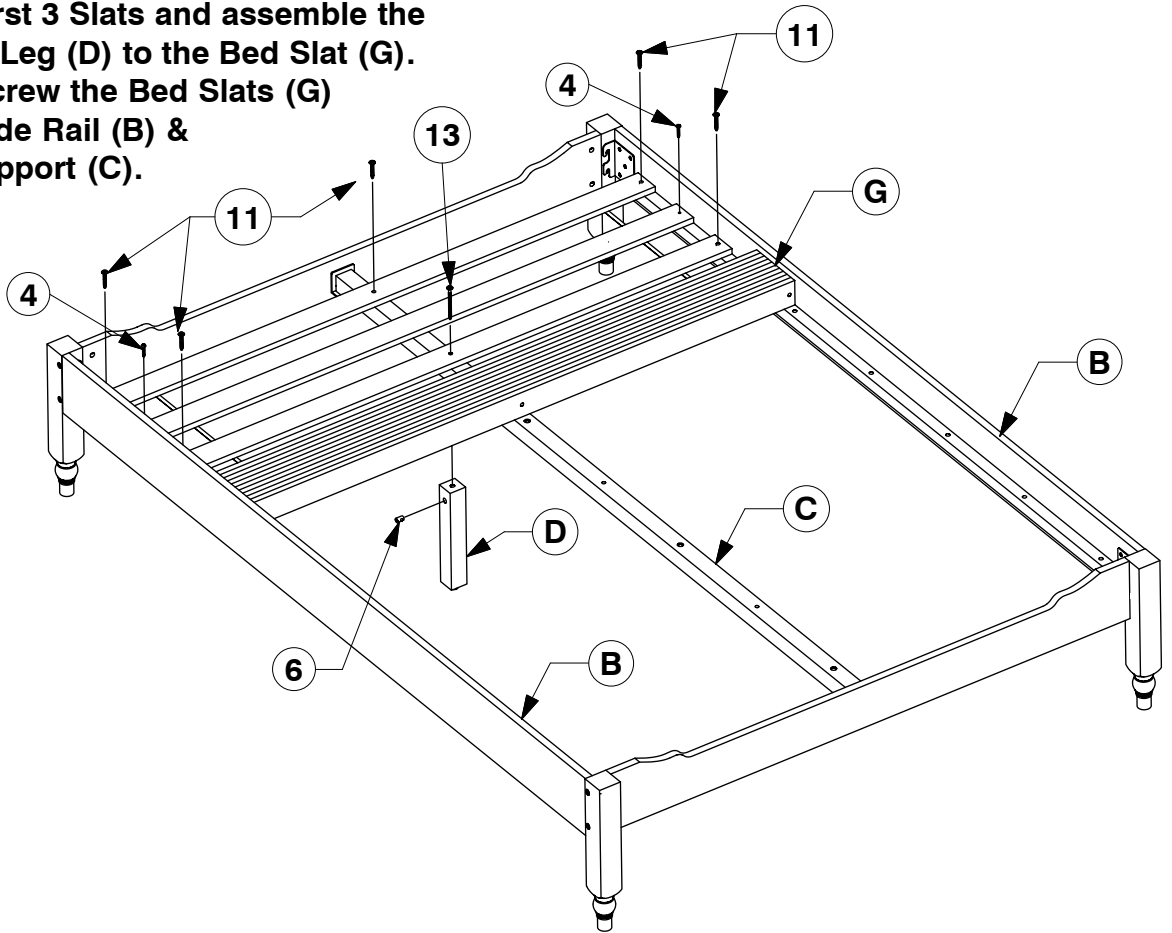


# 0011 Full Bed

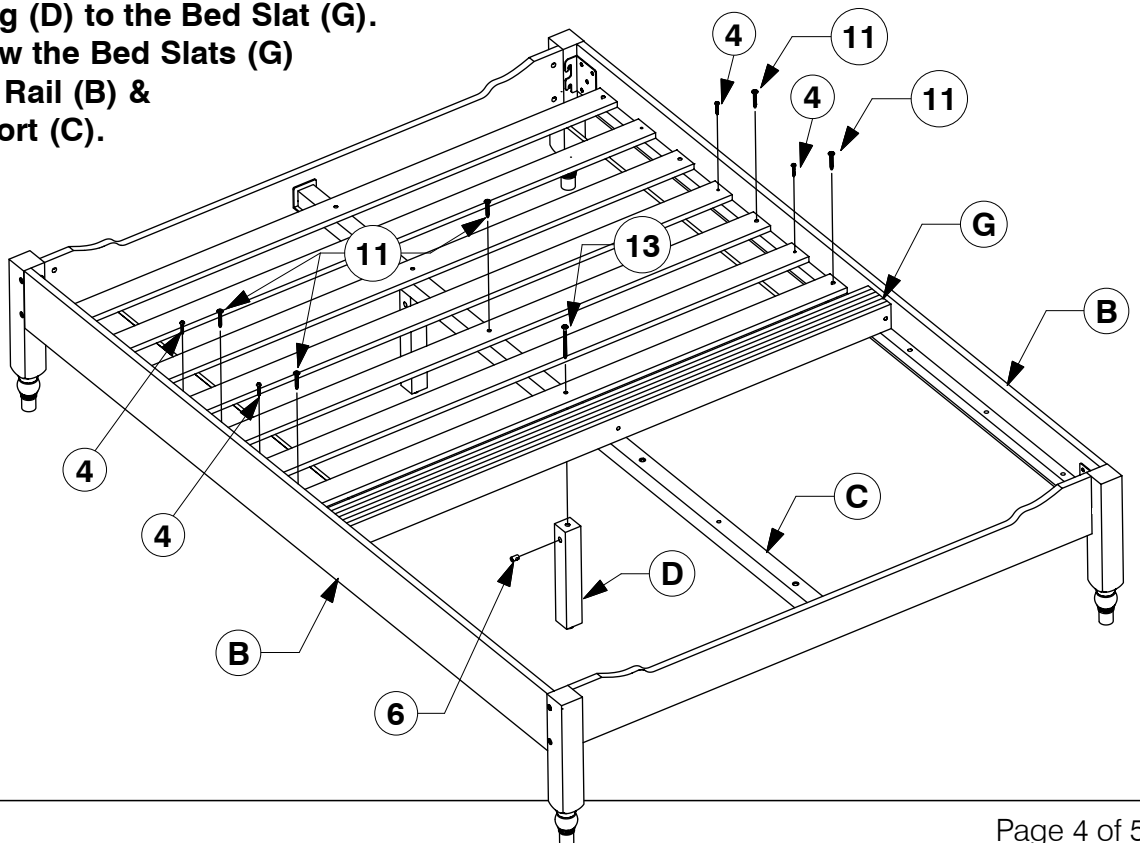
## Assembly Instructions

W11-0619

- 8** Fit the first 3 Slats and assemble the Support Leg (D) to the Bed Slat (G). Bolt & screw the Bed Slats (G) to the Side Rail (B) & Long Support (C).



- 9** Fit the other Slats out and assemble the Support Leg (D) to the Bed Slat (G). Bolt & screw the Bed Slats (G) to the Side Rail (B) & Long Support (C).

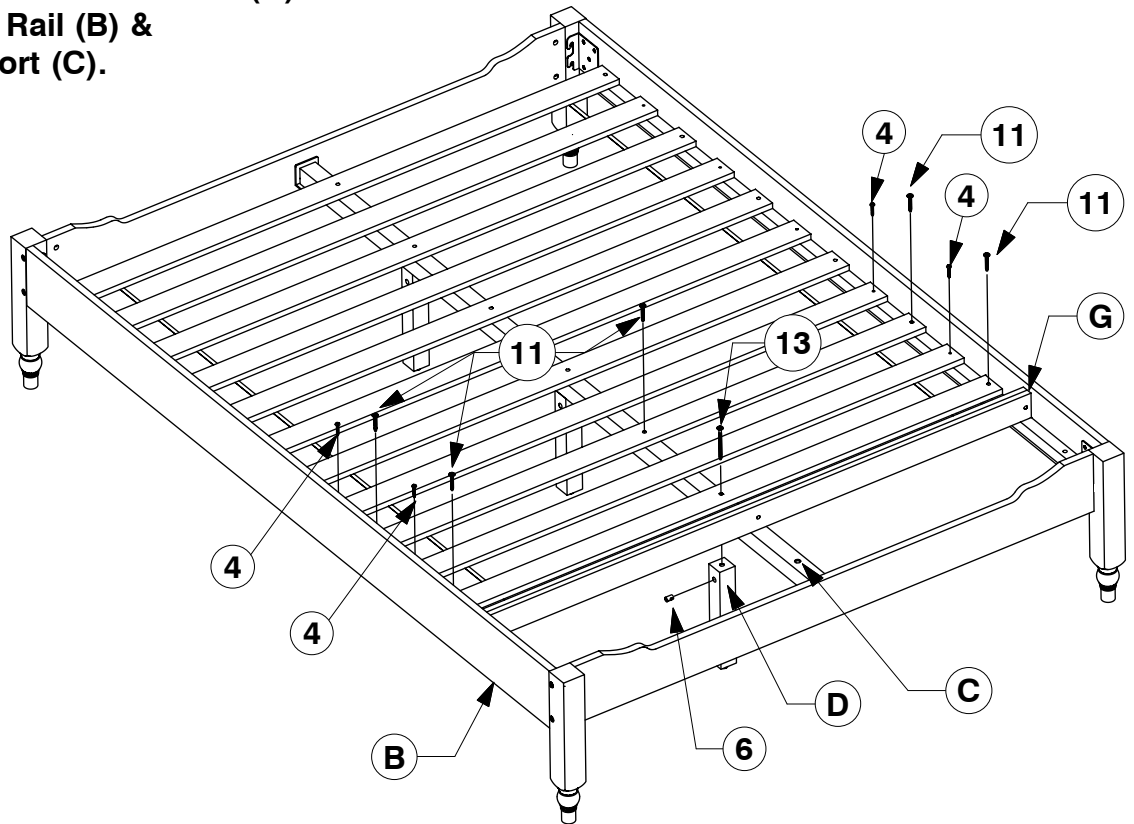


# 0011 Full Bed

## Assembly Instructions

WII-0619

- 10** Fit the other Slats out and assemble the Support Leg (D) to the Bed Slat (G). Bolt & screw the Bed Slats (G) to the Side Rail (B) & Long Support (C).



- 11** Bolt & screw the remaining Bed Slats (G) to the Side Rail (B).

