

ASSEMBLY INSTRUCTION

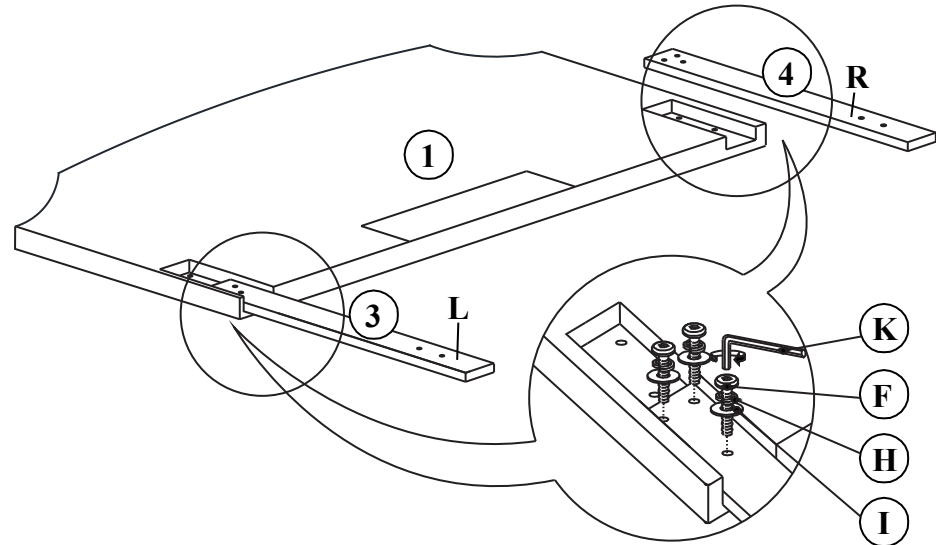
ITEM : Larese - KB

| NO | PARTLIST | QTY |
|----|---|-------|
| 1 | HEADBOARD CUSHION | 1PC |
| 2 | BED RAIL | 2PCS |
| 3 | HEADBOARD LEG WITH LABEL "L" | 1PC |
| 4 | HEADBOARD LEG WITH LABEL "R" | 1PC |
| 5 | FOOTBOARD TOP PANEL | 1PC |
| 6 | FOOTBOARD BOTTOM PANEL | 1PC |
| 7 | FOOTBOARD SIDE PANEL LEFT | 1PC |
| 8 | FOOTBOARD SIDE PANEL RIGHT | 1PC |
| 9 | FOOTBOARD CENTER PANEL | 1PC |
| 10 | DRAWER HEAD | 2PCS |
| 11 | DRAWER SIDE LEFT | 2PCS |
| 12 | DRAWER SIDE RIGHT | 2PCS |
| 13 | DRAWER BACK | 2PCS |
| 14 | DRAWER SUPPORT | 2PCS |
| 15 | DRAWER PANEL | 2PCS |
| 16 | FOOTBOARD LEG | 4PCS |
| 17 | FOOTBOARD SUPPORT | 1PC |
| 18 | BED SLAT SUPPORT LEG (with adjustable feet) | 6PCS |
| 19 | BED SLAT | 1 SET |
| 20 | BED SLAT SUPPORT | 2PCS |

| ITEM | HARDWARE | QTY |
|------|----------------------------|-------|
| A | MINIFIX CAM LOCK | 12PCS |
| B | MINIFIX CAM BOLT | 12PCS |
| C | WOOD DOWEL (M10 x 30MM) | 12PCS |
| D | WOOD DOWEL (M6 x 30MM) | 16PCS |
| E | JCBC SCREW M8 x 20MM | 8PCS |
| F | JCBC SCREW M6 x 45MM | 6PCS |
| G | JCBC SCREW M6 x 50MM | 27PCS |
| H | SPRING WAHSER M6 x 13MM | 23PCS |
| I | FLAT WASHER M6 x 13MM | 23PCS |
| J | CSK C/B SCREW M4 x 32MM | 6PCS |
| K | SMALL ALLEN KEY M4 x 100MM | 1PC |
| L | BIG ALLEN KEY M5 x 65MM | 1PC |

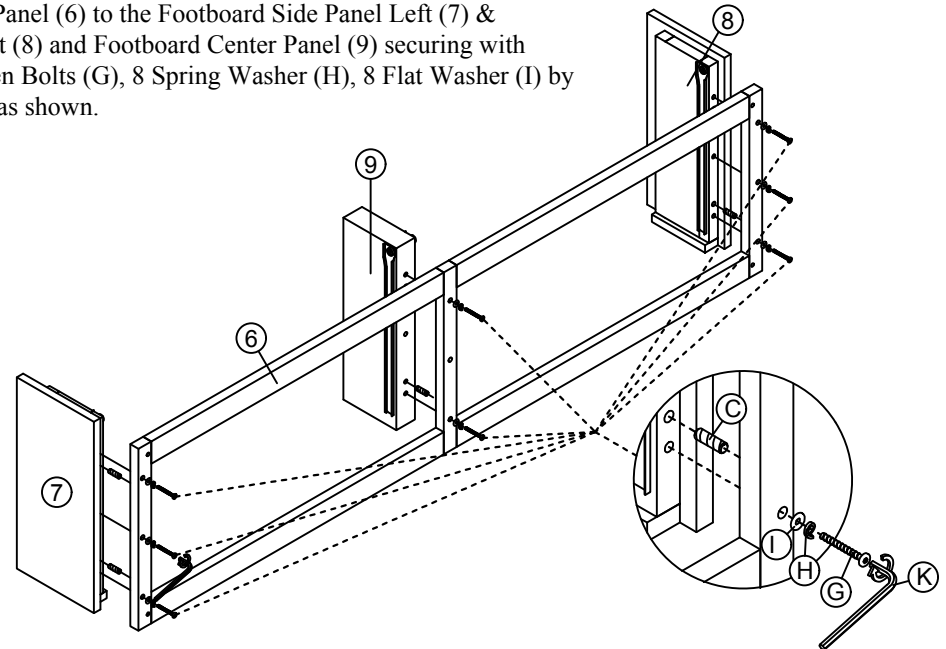
STEP 1

Begin assembly by attaching each Headboard Leg (3) & (4) to the bottom of the Headboard Cushion (1) by aligning the hole and securing with 3 Allen Bolts (F), 3 Spring Washer (H), 3 Flat Washer (I) per leg using L-Key (K) provided as shown.



STEP 2

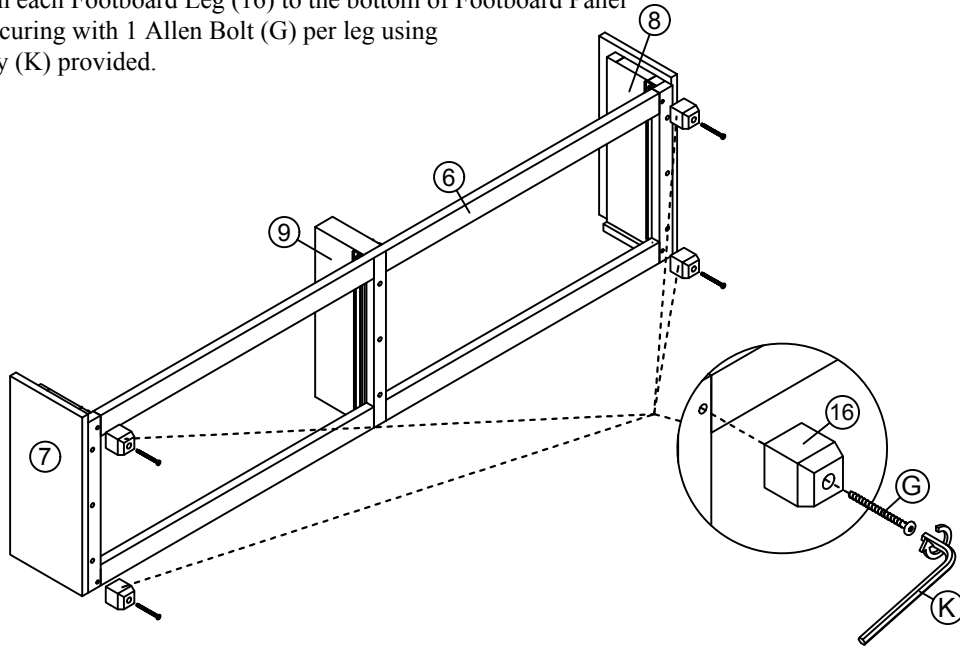
Attach Footboard Bottom Panel (6) to the Footboard Side Panel Left (7) & Footboard Side Panel Right (8) and Footboard Center Panel (9) securing with 6 Wood Dowel (C), 8 Allen Bolts (G), 8 Spring Washer (H), 8 Flat Washer (I) by using L-Key (K) provided as shown.



ASSEMBLY INSTRUCTION

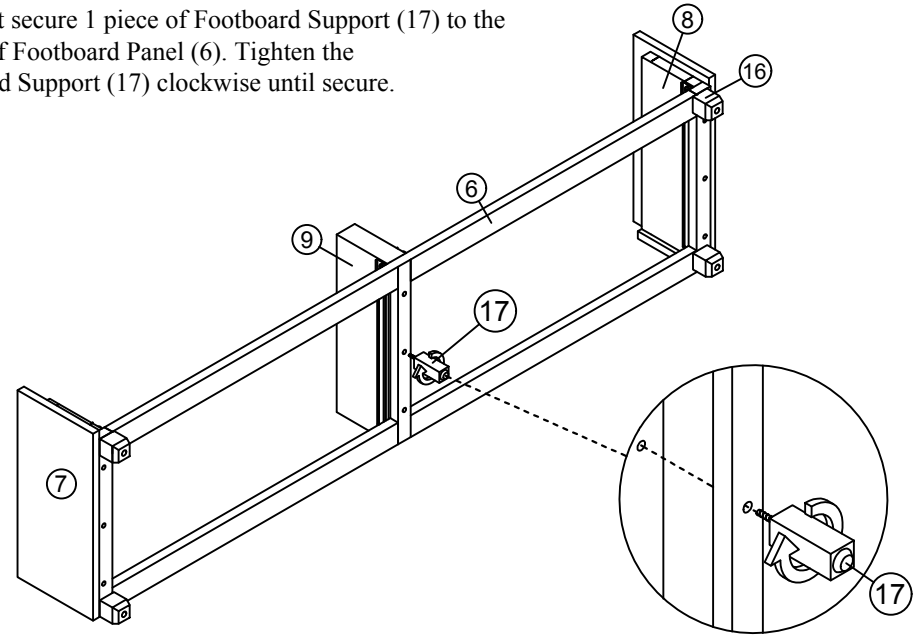
STEP 3

Attach each Footboard Leg (16) to the bottom of Footboard Panel (6) securing with 1 Allen Bolt (G) per leg using L-Key (K) provided.



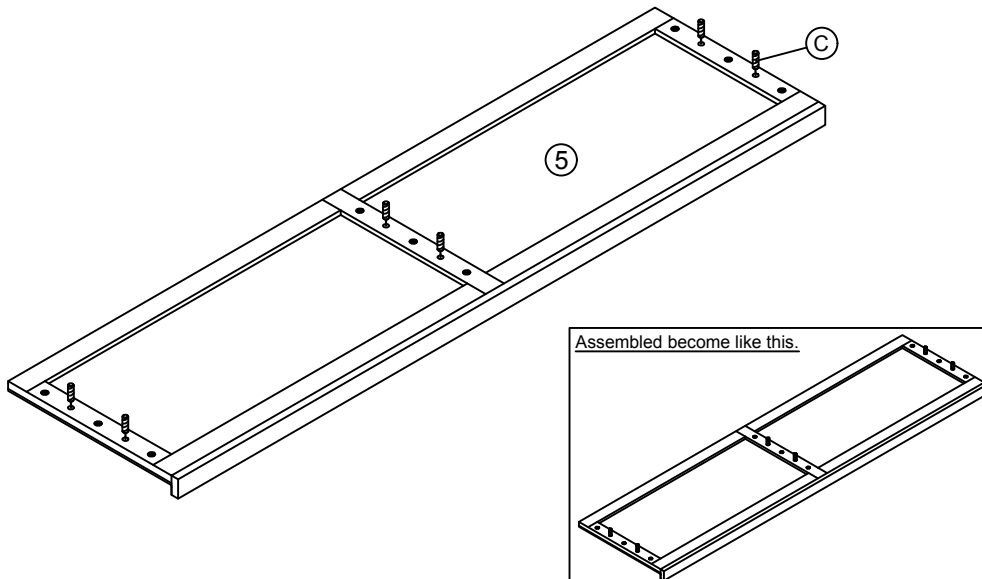
STEP 4

After that secure 1 piece of Footboard Support (17) to the bottom of Footboard Panel (6). Tighten the Footboard Support (17) clockwise until secure.



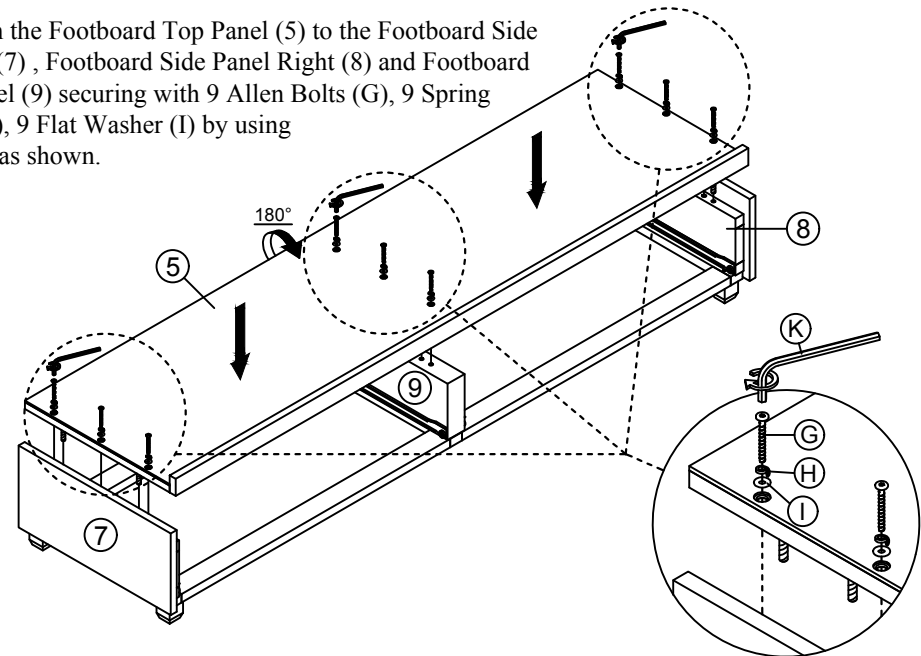
STEP 5

Insert 6 Wood Dowel (C) to the Footboard Top Panel (5) as shown.



STEP 6

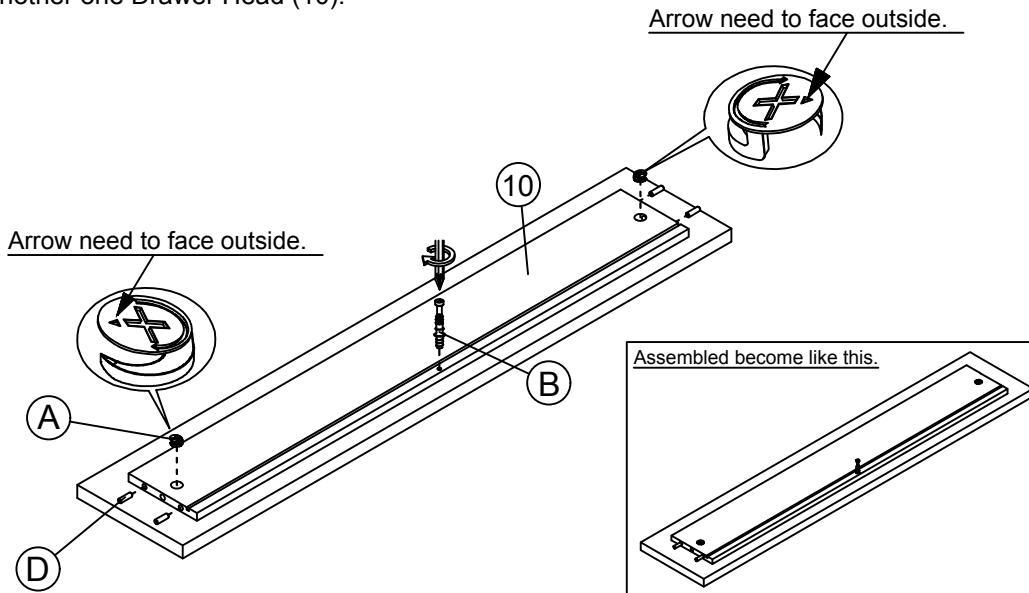
Then attach the Footboard Top Panel (5) to the Footboard Side Panel Left (7), Footboard Side Panel Right (8) and Footboard Center Panel (9) securing with 9 Allen Bolts (G), 9 Spring Washer (H), 9 Flat Washer (I) by using L-Key (K) as shown.



ASSEMBLY INSTRUCTION

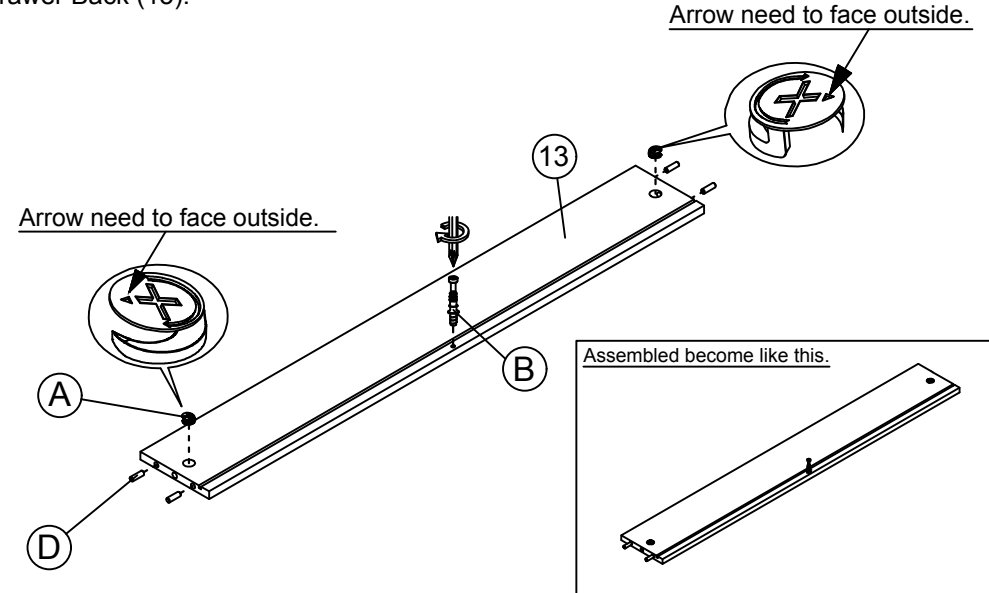
STEP 7

Insert 2 Minifix Cam Lock (A), 1 Minifix Cam Bolt (B) and 4 Wood Dowel (D) to the each of the Drawer Head (10) as shown below. Please repeat the same procedure to the another one Drawer Head (10).



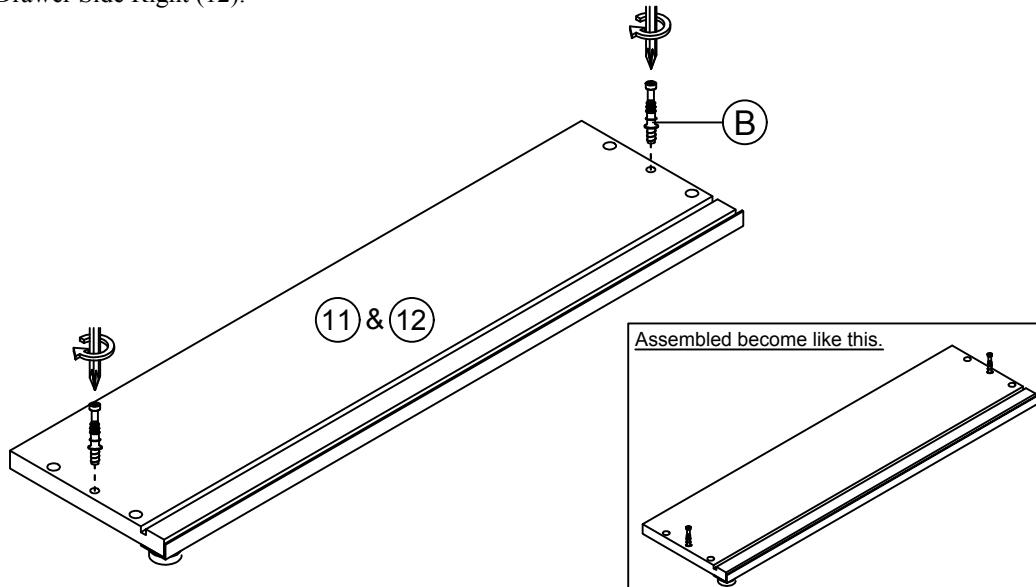
STEP 8

Insert 2 Minifix Cam Lock (A), 1 Minifix Cam Bolt (B) and 4 Wood Dowel (D) to the each of the Drawer Back (13) as shown below. Please repeat the same procedure to the another one Drawer Back (13).



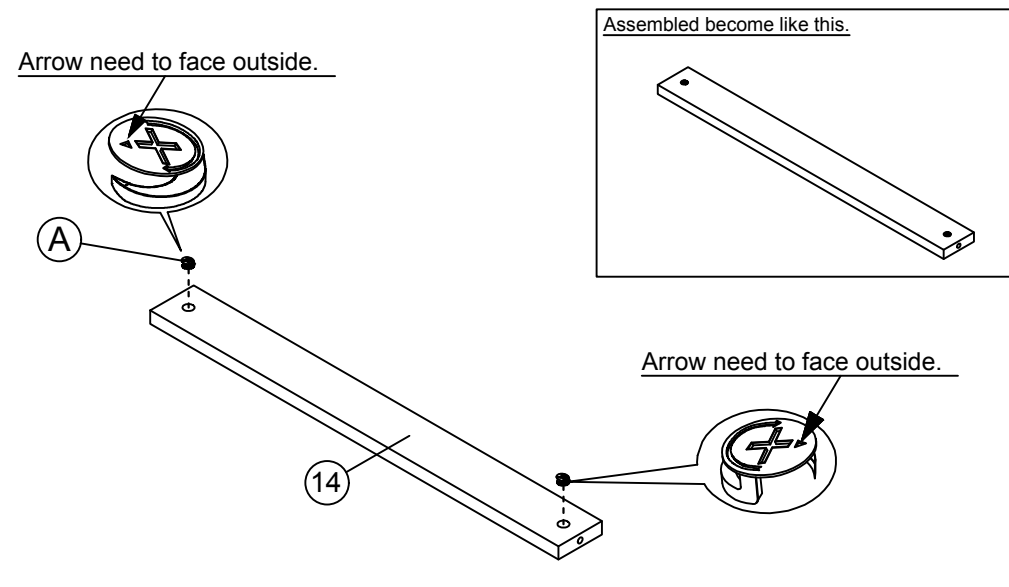
STEP 9

Insert 2 Minifix Cam Bolts (B) to the each of the Drawer Side Left (11) and Drawer Side Right (12) as shown. Please repeat the same procedure to the another one Drawer Side Left (11) & Drawer Side Right (12).



STEP 10

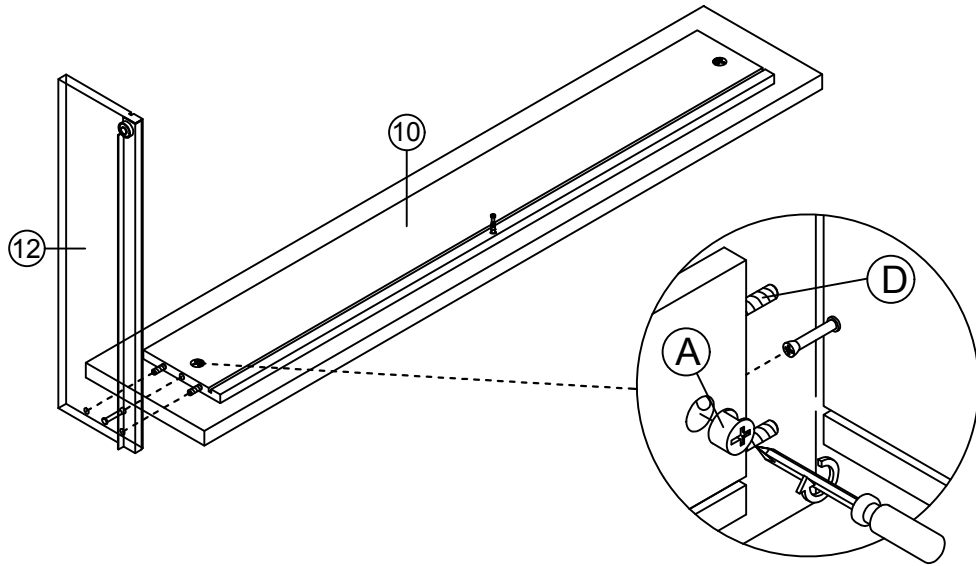
Insert 2 Minifix Cam Lock (A) to the each of the Drawer Support (14) as shown. Please repeat the same procedure to the another one Drawer Support (14).



ASSEMBLY INSTRUCTION

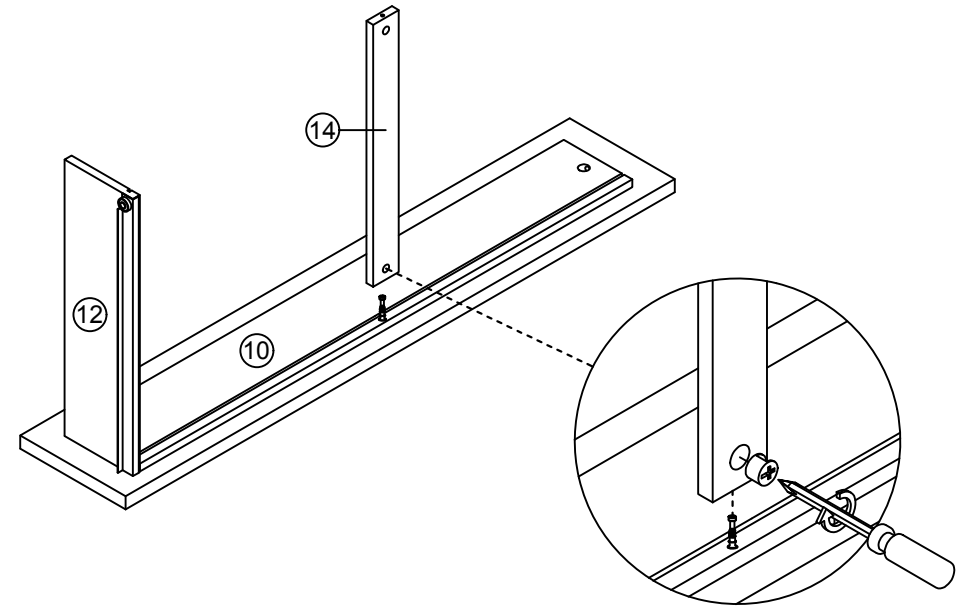
STEP 11

Attach Drawer Side Right (12) to the side of the Drawer Head (10), then tighten the 1 Minifix Cam Lock (A) which pre-insert in Step 7 with a Philips screwdriver (not included) as shown.



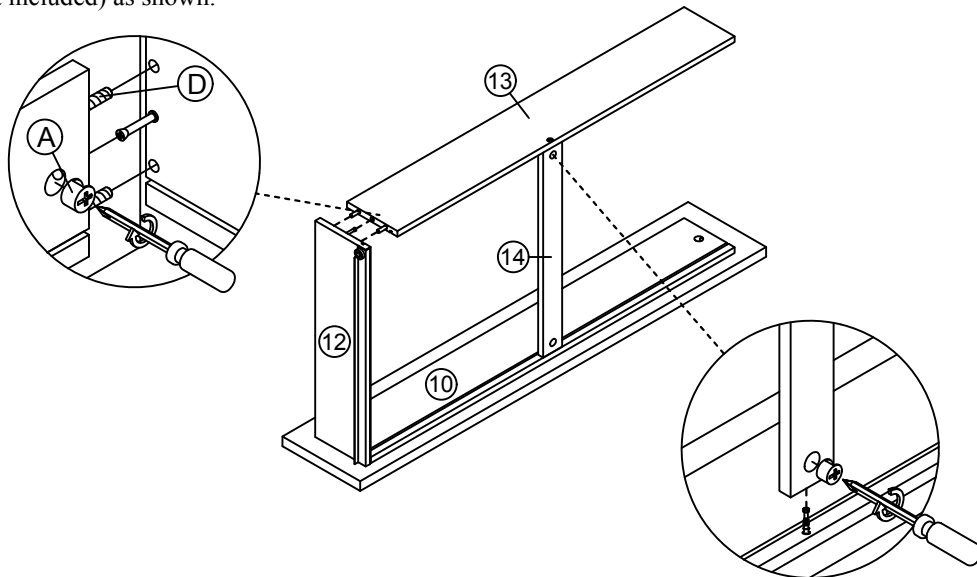
STEP 12

After that, attached Drawer Support (14) to the Drawer Head (10), then tighten the 1 Minifix Cam Lock (A) which pre-insert in Step 10 with a Philips screwdriver (not included) as shown.



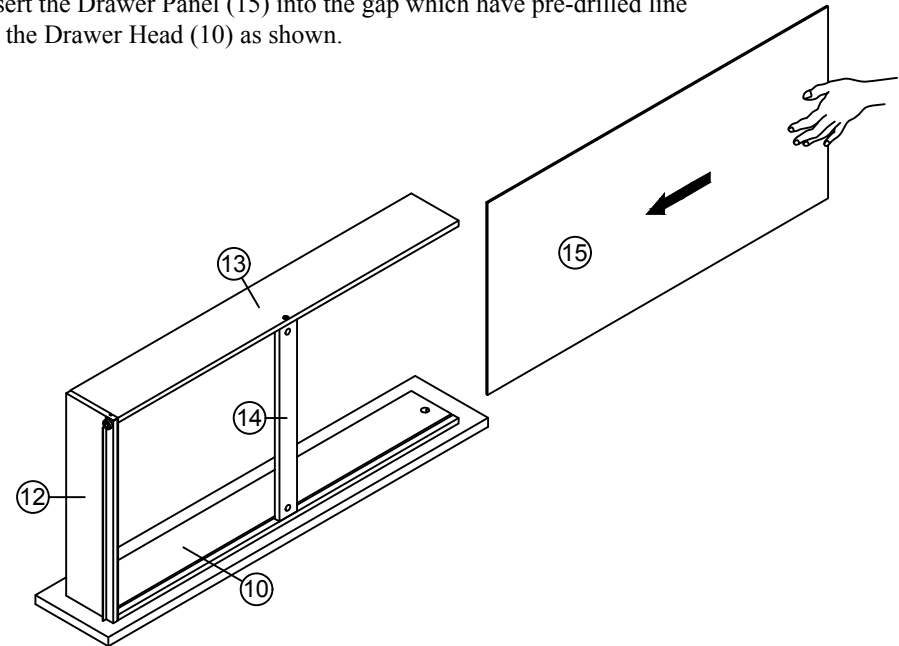
STEP 13

Attach Drawer Back (13) to the end of Drawer Side Right (12) and Drawer Support (14), then tighten the 2 Minifix Cam Lock (A) which pre-insert in Step 9 & 10 with a Philips screwdriver (not included) as shown.



STEP 14

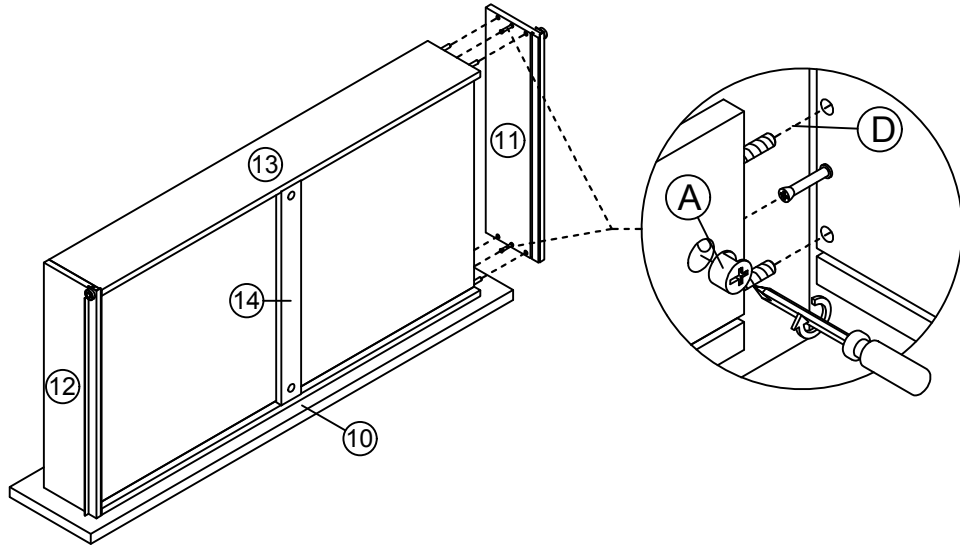
Insert the Drawer Panel (15) into the gap which have pre-drilled line on the Drawer Head (10) as shown.



ASSEMBLY INSTRUCTION

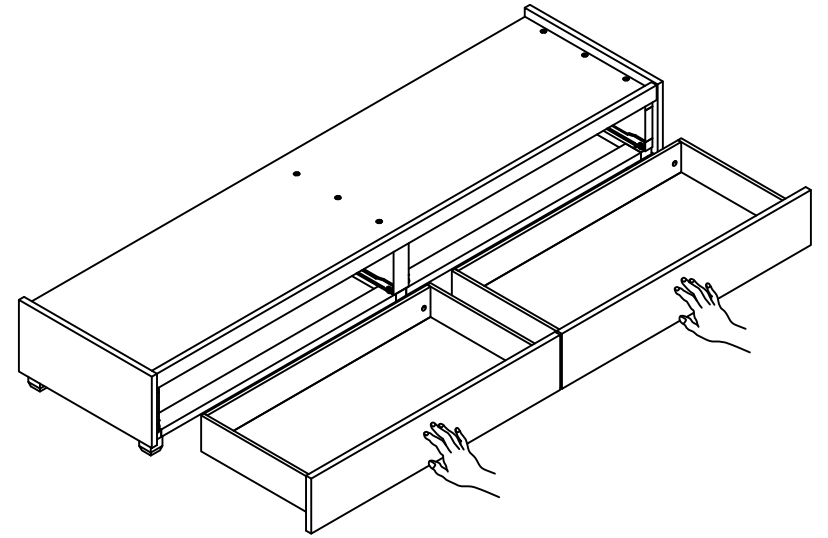
STEP 15

Attach Drawer Side Left (11) to the end of Drawer Head (10) and Drawer Back (13), then tighten 2 Minifix Cam Lock (A) which pre-insert in Step 9 with a Philips screwdriver (not included) as shown.



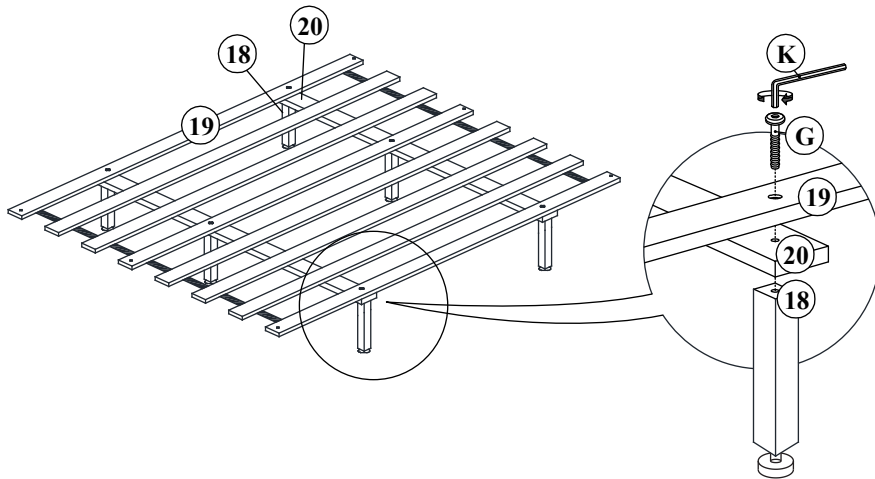
STEP 16

Please repeat the Step 11 until Step 15 to assembly another drawer. Then align the position to push the 2 Drawers into the footboard exactly by your hands as shown.



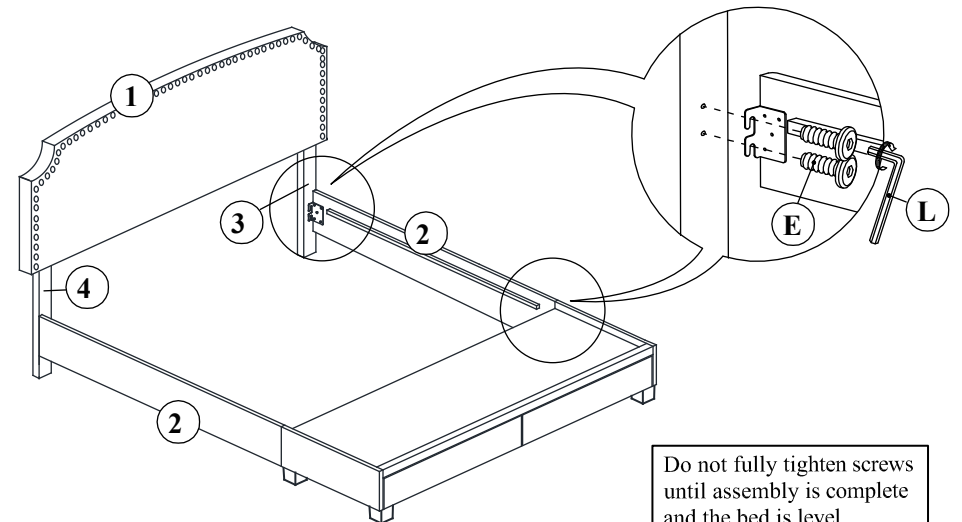
STEP 17

Attached Bed Slat (19) to the Bed Slat Support (20) and Bed Slat Support Leg (18) using 2 Allen Bolt (G) per each end. Tighten the bolts using L-Key (K) provided.



STEP 18

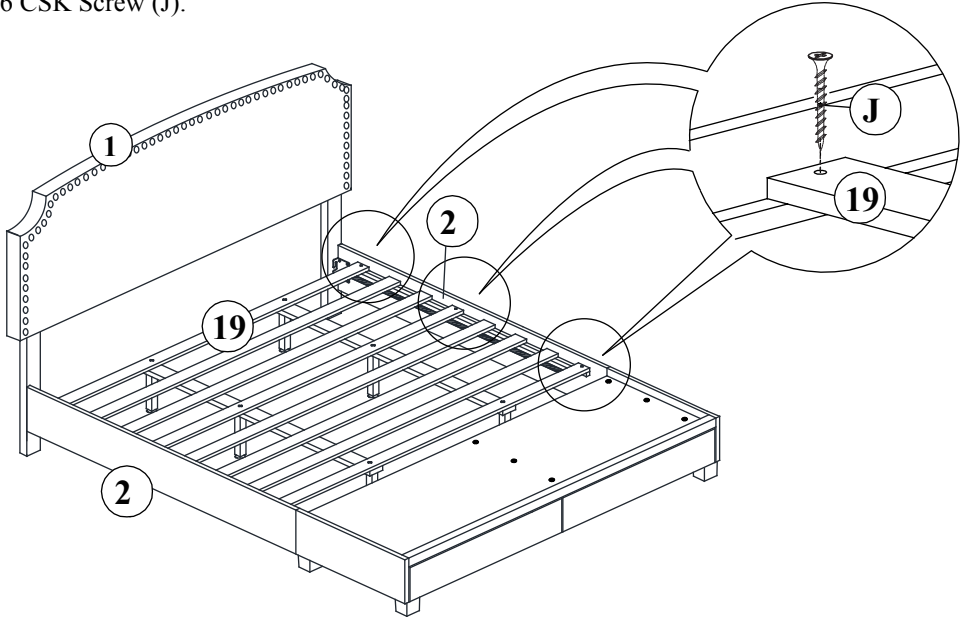
Attached Bed Rail (2) to the Headboard Leg (3) & (4) and Footboard each side as shown. Aligning holes and securing with 2 Allen Bolts (E) per each end by using L-Key (L) provided. (DO NOT FULLY TIGHTEN BOLTS FOR THIS STEP)



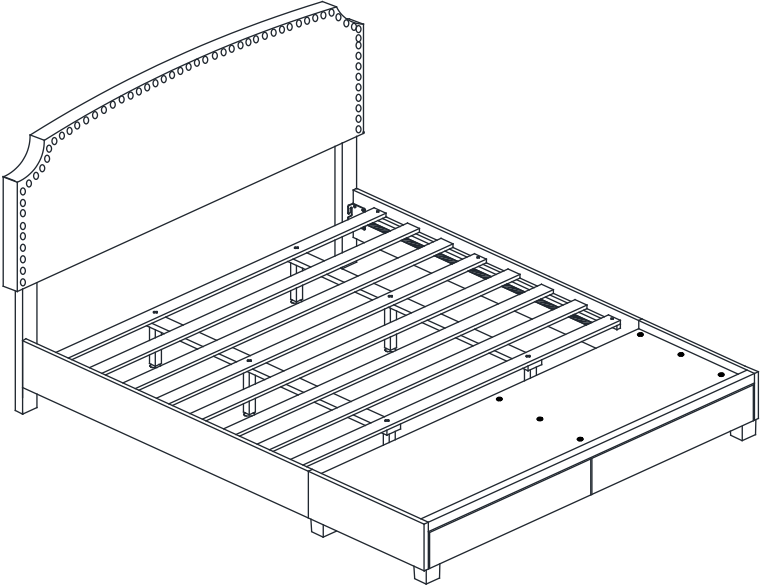
ASSEMBLY INSTRUCTION

STEP 19

Insert Bed Slat (19) in between Bed Rail (2). Secure Bed Slat (19) with 6 CSK Screw (J).
Tighten the screws with Philips screwdriver (not included).



STEP 20



ASSEMBLY
COMPLETED