




ASSEMBLY INSTRUCTIONS

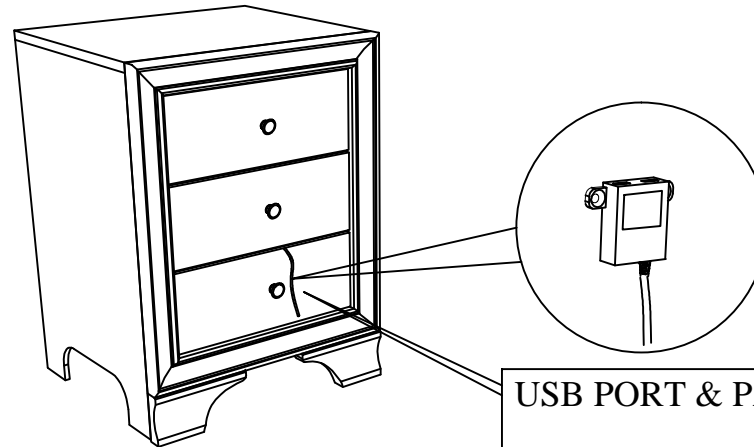
0191A NIGHT STAND

(BOX 1)
BOX OF NIGHT STAND

NO	ITEM	QTY
A	NIGHT STAND 	1 PC

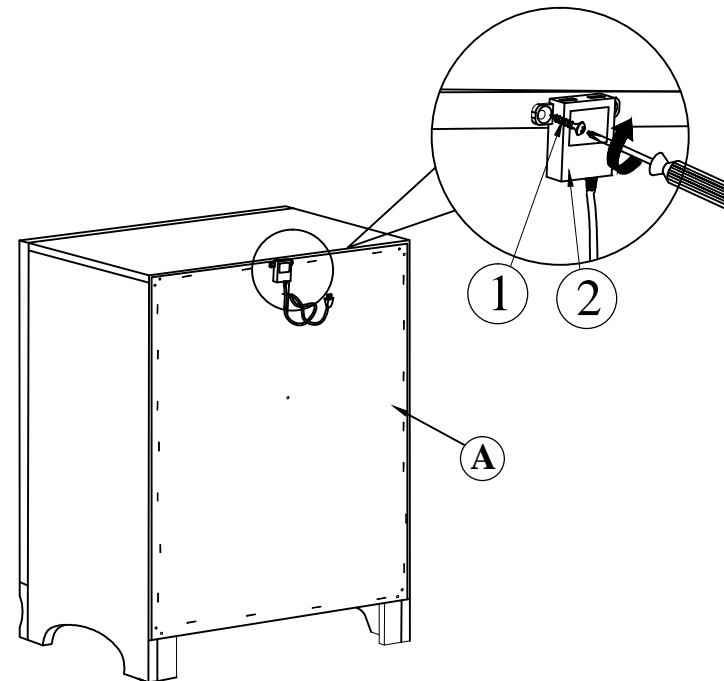
HARDWARE LIST

NO	ITEM	QTY
1	USB Port 	1 PC
2	Pan Head Chipboard Screw m3.5x16mm Blk 	2 PCS



USB PORT & PAN HEAD SCREW INSIDE PLASTIC BAG

STEP 1 : Assemble USB port (1) at back of night Stand (A) and fix with Screw (2) as shown.



COMPLETED ASSEMBLY

NOTE : MUST TIGHTEN SCREWS **PERIODICALLY** WITH USE SCREW WILL BECOME LOOSE CHECK TIGHTNESS OF ALL SCREW EVERY 6-8 WEEKS.