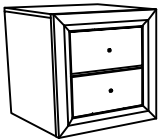





# ASSEMBLY INSTRUCTIONS

**0233A  
NIGHT STAND**

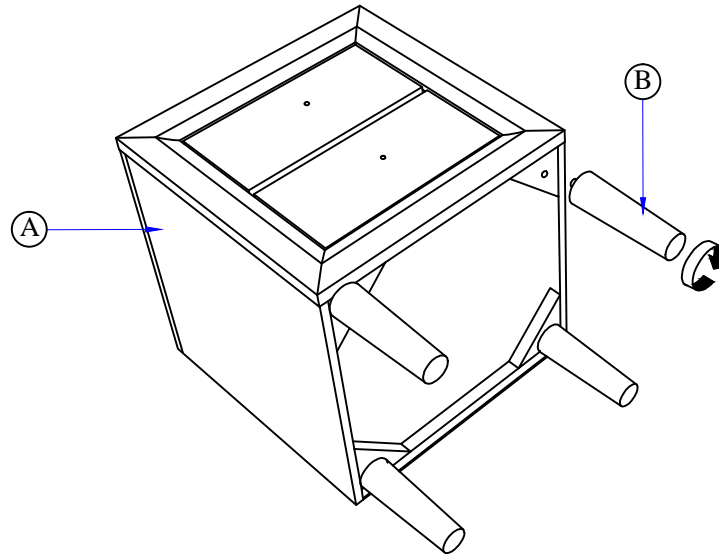
**(BOX 1)  
BOX OF NIGHT STAND**

NO	ITEM	QTY
	NIGHT STAND	
A		1 PC
	BUN FOOT	
B		4 PCS

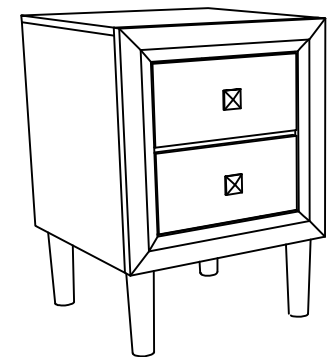
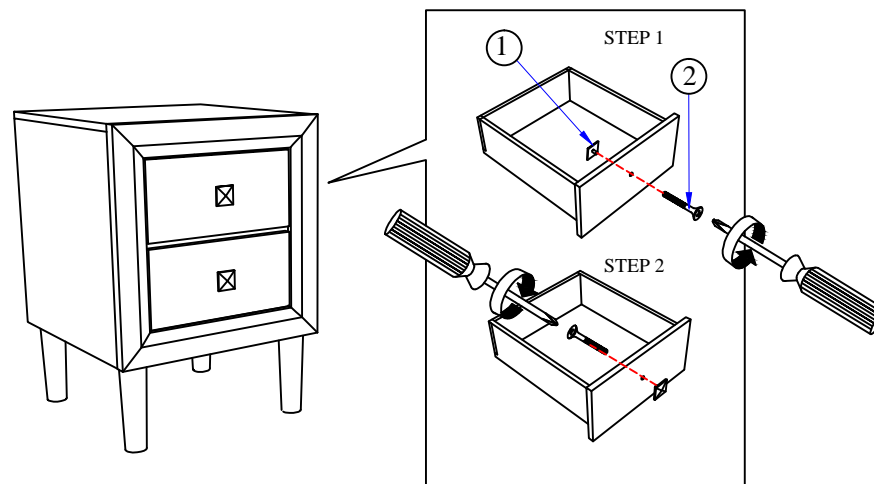
**HARDWARE LIST (FIXED INSIDE DRAWER)**

NO	ITEM	QTY
1	HTG1073 Handle Black Antique Brass (With Thread 10mm) 	2 PCS
2	Truss Head Chipboard Screw m4x28mm Blk 	2 PCS

**STEP 1 : Assemble Bun foot leg (1) to the bottom night stand as shown.**



**STEP 2 : Reinstall handle by loosen the handle screw then tighten up as shown.**



**COMPLETED ASSEMBLY**

NOTE : MUST TIGHTEN SCREWS PERIODICALLY WITH USE SCREW WILL BECOME LOOSE CHECK TIGHTNESS OF ALL SCREW EVERY 6-8 WEEKS.