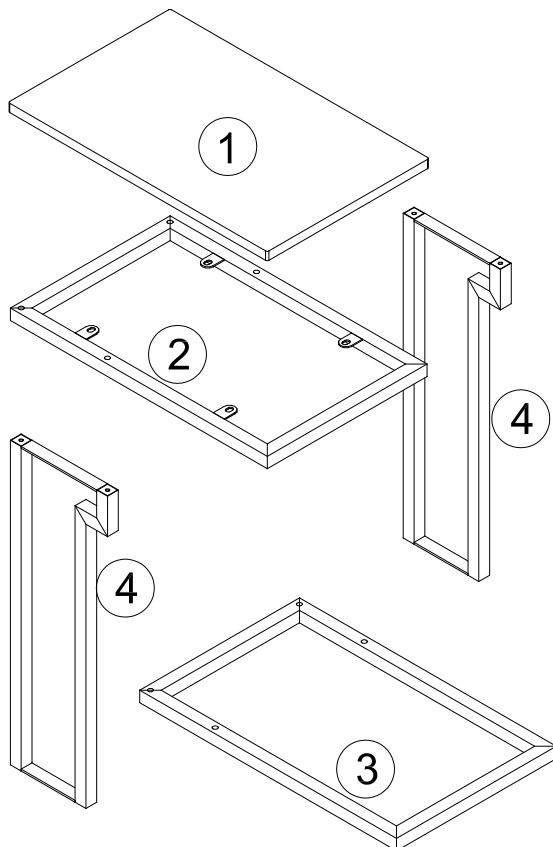
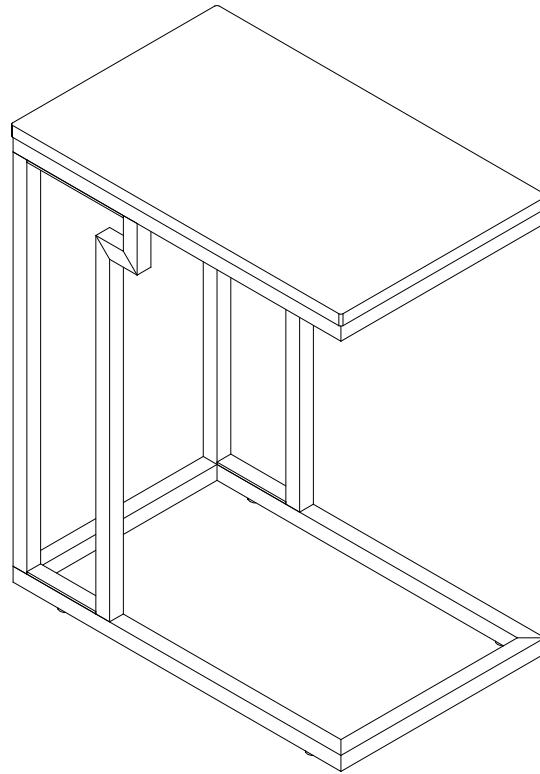






Assembling Instruction

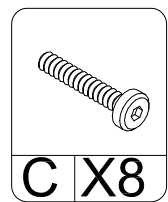
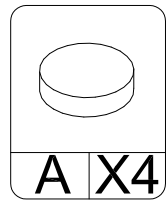
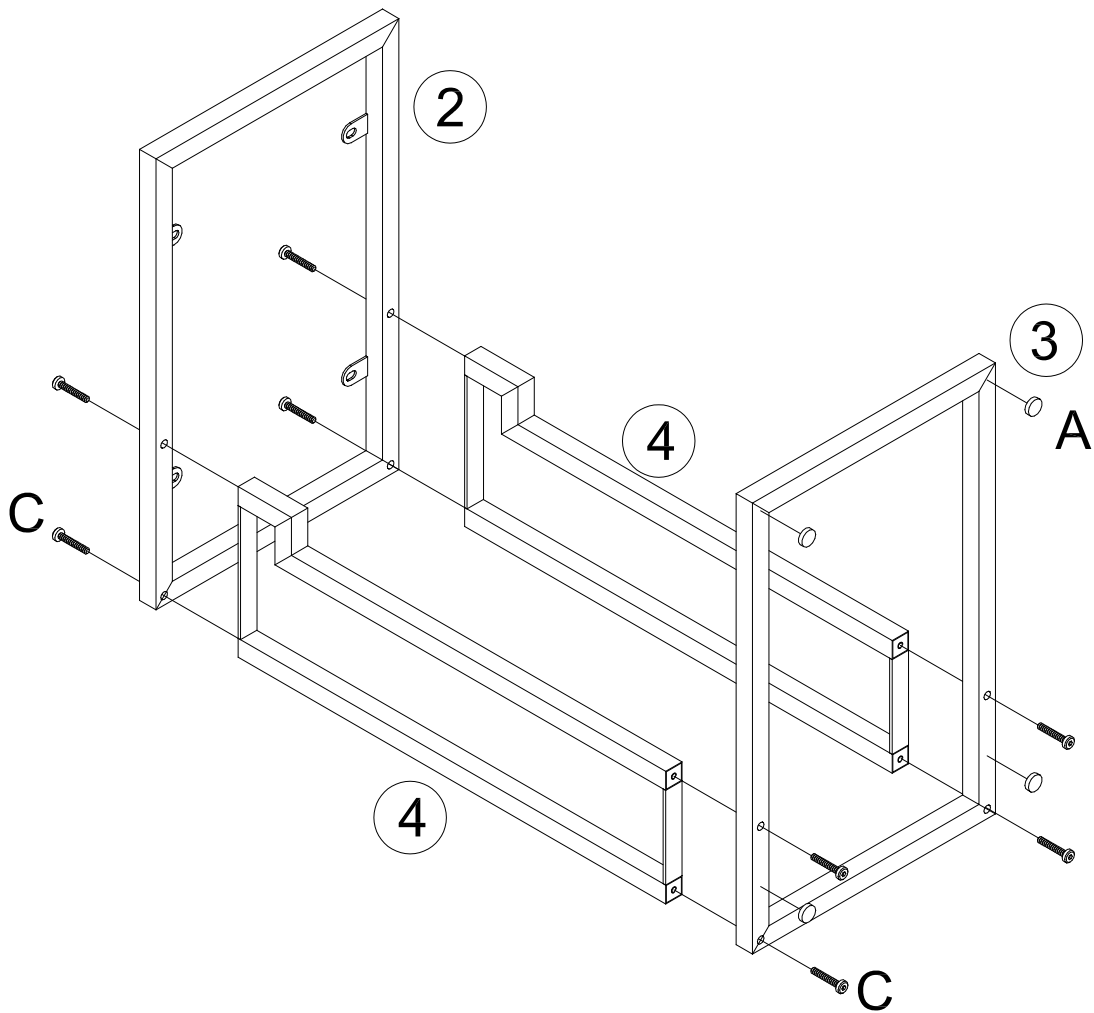
ITEM# AA-1822

Attention: Do not tighten the screws until all of them are in right positions



- | | | | |
|-----|----|---|-------|
| (A) | X4 |  | |
| (B) | X4 |  | M6X12 |
| (C) | X8 |  | M6X35 |
| | |  | 4MM |

1



2

