

ASSEMBLY INSTRUCTIONS

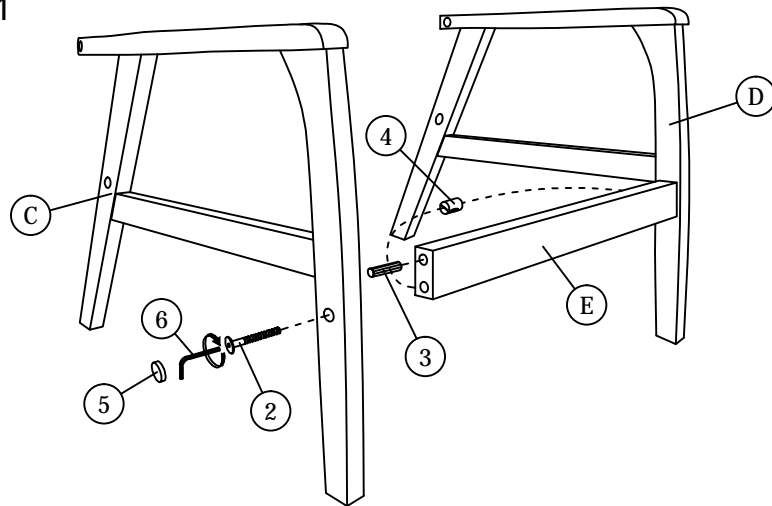
READ THE INSTRUCTION CAREFULLY. REMOVE ALL THE WRAPPING MATERIALS, STAPLES AND STRAPS FROM THE CARTON. REFER TO THE HARDWARE AND FURNITURE PARTS LIST AS A GUIDANCE. MAKE SURE YOU HAVE ALL THE PARTS BEFORE YOU START ASSEMBLING. PLACE ALL THE WOODEN FURNITURE PARTS ON A CLEAN, FLAT AND SOFT SURFACE SUCH AS CARPET TO PREVENT FROM SCRATCHES.

PART LIST		
ITEM	DESCRIPTION	QTY
A	CUSHION BACK	1pc
B	CUSHION SEAT	1pc
C	ARM (L)	1pc
D	ARM (R)	1pc
E	APRON	1pc

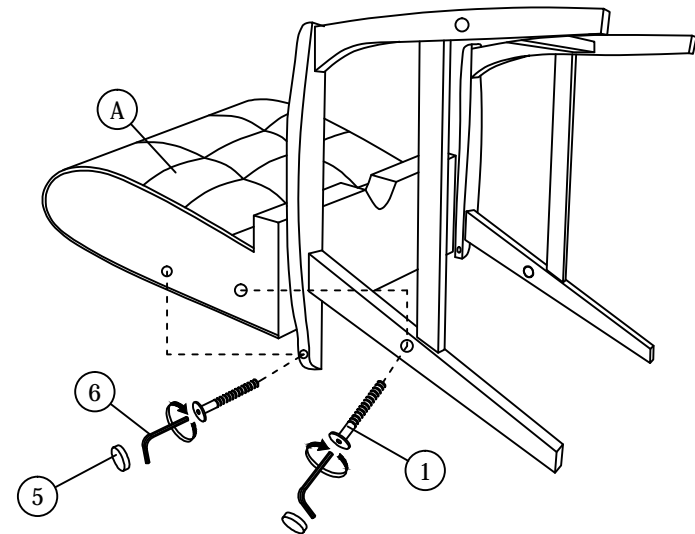
HARDWARE LIST		
ITEM	DESCRIPTION	QTY
1	JCBB Bolt M8 x 60mm	4pcs
2	JCBB Bolt M8 x 80mm	2pcs
3	Wood Dowel M10 x 40mm	2pcs
4	M8 Bran Nut	2pcs
5	Wood Button Dia 18.5mm	6pcs
6	M5 Allen Key (Ball Shape)	1pc

CAUTION: KEEP ALL HARDWARE PART OUT OF REACH OF CHILDREN.

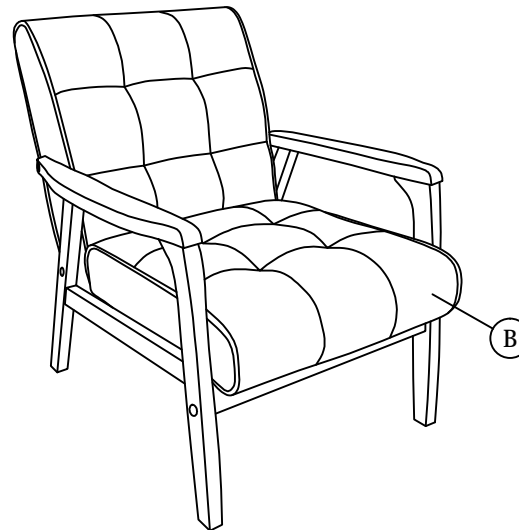
STEP 1



STEP 2



STEP 3



ASSEMBLY INSTRUCTIONS

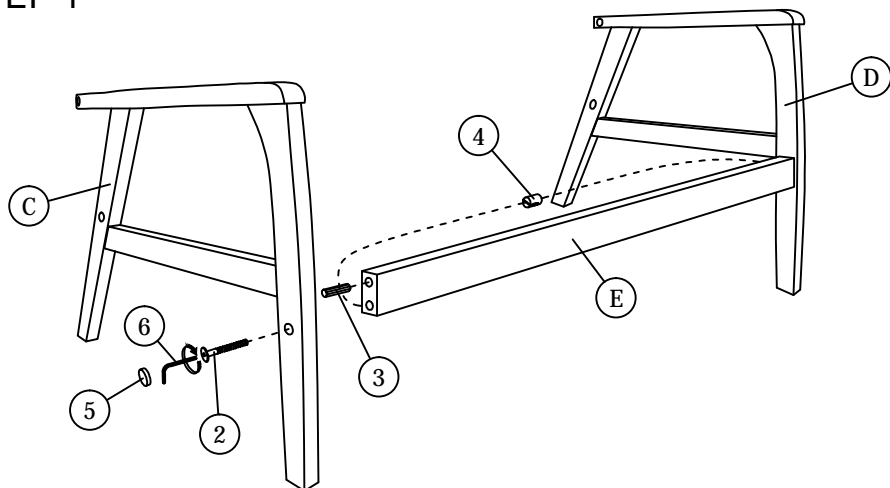
READ THE INSTRUCTION CAREFULLY. REMOVE ALL THE WRAPPING MATERIALS, STAPLES AND STRAPS FROM THE CARTON. REFER TO THE HARDWARE AND FURNITURE PARTS LIST AS A GUIDANCE. MAKE SURE YOU HAVE ALL THE PARTS BEFORE YOU START ASSEMBLING. PLACE ALL THE WOODEN FURNITURE PARTS ON A CLEAN, FLAT AND SOFT SURFACE SUCH AS CARPET TO PREVENT FROM SCRATCHES.

PART LIST		
ITEM	DESCRIPTION	QTY
A	CUSHION BACK	1pc
B	CUSHION SEAT	1pc
C	ARM (L)	1pc
D	ARM (R)	1pc
E	APRON	1pc

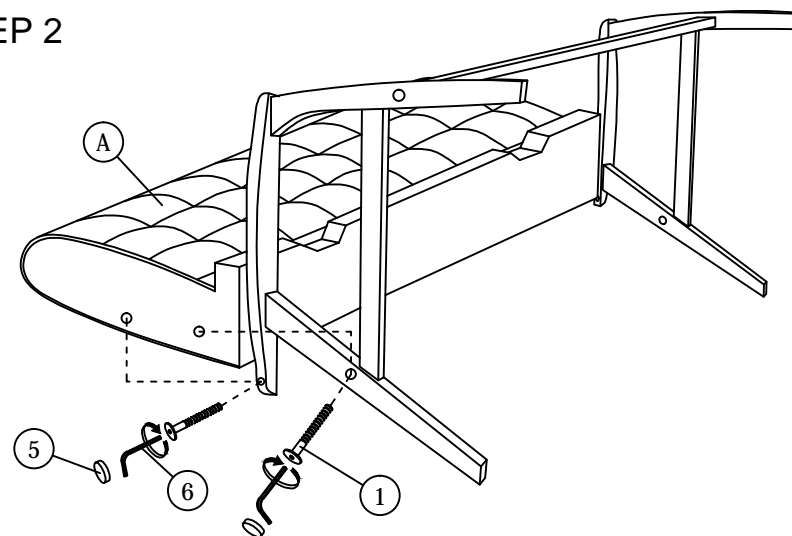
HARDWARE LIST		
ITEM	DESCRIPTION	QTY
1	JCBB Bolt M8 x 60mm	4pcs
2	JCBB Bolt M8 x 80mm	2pcs
3	Wood Dowel M10 x 40mm	2pcs
4	M8 Bran Nut	2pcs
5	Wood Button Dia 18.5mm	6pcs
6	M5 Allen Key (Ball Shape)	1pc

CAUTION: KEEP ALL HARDWARE PART OUT OF REACH OF CHILDREN.

STEP 1



STEP 2



STEP 3

