


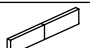



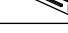






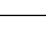





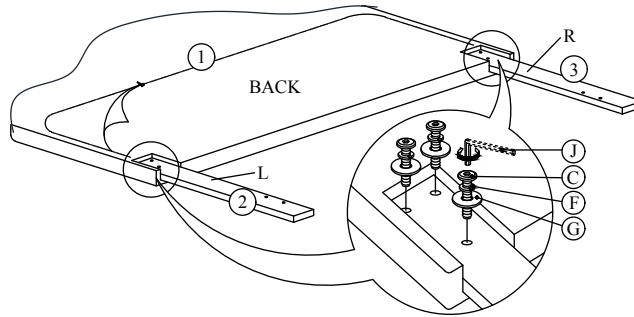


ASSEMBLY INSTRUCTION

| NO | PARTLIST | QTY |
|------|--|-------|
| 1 |  HEADBOARD CUSHION | 1PC |
| 2 |  LEFT HEADBOARD LEG (WITH "L" LABEL) | 1PC |
| 3 |  RIGHT HEADBOARD LEG (WITH "R" LABEL) | 1PC |
| 4 |  FOOTBOARD CUSHION | 1PC |
| 5 |  FOOTBOARD LEG | 2PCS |
| 6 |  SIDE RAIL | 2PCS |
| 7 |  SIDE RAIL | 2PCS |
| 8 |  SIDE RAIL SUPPORT LEG | 2PCS |
| 9 |  SLAT | 4PCS |
| 10 |  SUPPORT LEGS WITH ADJUSTABLE FEET | 4PCS |
| ITEM | HARDWARE | QTY |
| A |  JCBB SCREW M8 x 20MM | 8PCS |
| B |  JCBC SCREW M6 x 25MM | 8PCS |
| C |  JCBC SCREW M6 x 35MM | 10PCS |
| D |  JCBC SCREW M6 x 70MM | 2PCS |
| E |  WOOD DOWEL | 2PCS |
| F |  SPRING WASHER | 14PCS |
| G |  FLAT WASHER | 14PCS |
| H |  SCREW M4 x 32MM | 8PCS |
| I |  L - KEY M5 x 65MM | 1PC |
| J |  L - KEY M4 x 100MM | 1PC |

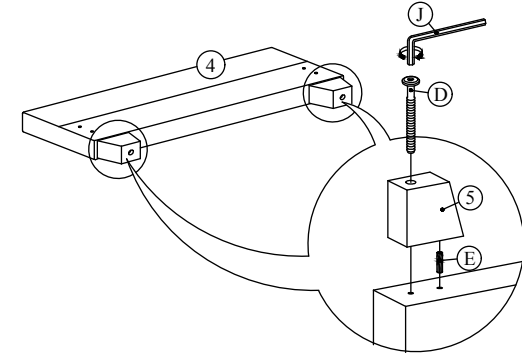
STEP 1

Begin assembly by attaching each Headboard Leg (2) & (3) to the bottom of the Headboard Cushion (1) by aligning the hole and securing with 3 Allen Bolts (C), 3 Spring Washer (F), 3 Flat Washer (G) per leg using L-key (J).



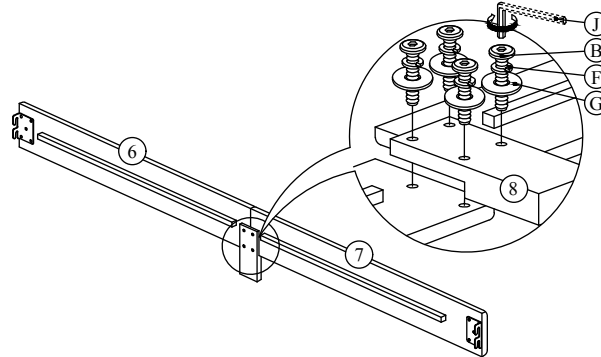
STEP 2

Attach each Footboard Leg (5) to the bottom of Footboard Cushion (4) by inserting a Dowel (E) & securing with 1 Allen Bolt (D) per leg using L-Key (J).



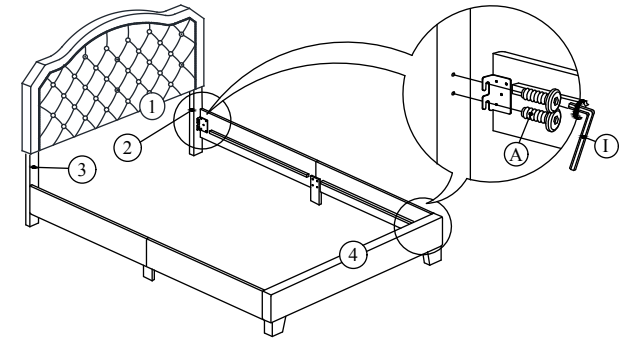
STEP 3

Attach side rail Support Leg (8) to the join of the Side Rail (6) and Side Rail (7) by securing with 4 Allen Bolts (B), 4 Spring Washer (F), 4 Flat Washer (G) per support using L-Key (J).



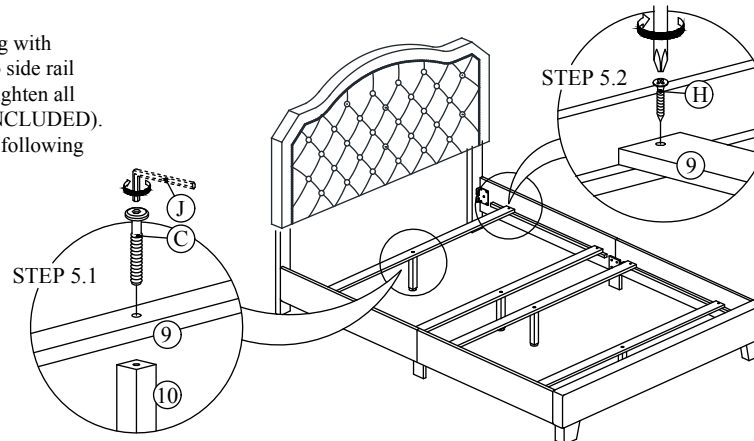
STEP 4

Attach side rail to the Headboard Leg (2) & (3) and Footboard (4). Aligning holes and securing with 2 Allen Bolts (A) per each by using L-Key (I). (DO NOT FULLY TIGHTEN BOLTS FOR THIS STEP)



STEP 5

Attach Support Legs (10) to Slat (9) by securing with 1 Allen Bolt (C) per support. Attach Slats (9) to side rail by securing with 1 Screws (H) per each side. Tighten all screws using philips head screwdriver (NOT INCLUDED). Tighten all bolts on step 2 & 3 using L-Key (J) following step 4 using L-Key (I) that has been provided.



ASSEMBLY COMPLETE

All parts and pieces come zipped inside the headboard